

US00D562808S

(12) **United States Design Patent**
Gwee

(10) **Patent No.:** **US D562,808 S**

(45) **Date of Patent:** **** Feb. 26, 2008**

(54) **WIRELESS EARBUD**

(76) **Inventor:** **Lin Kar Gwee**, Blk 35, Amber Garden
#05-39, Maryland Points (SG) 439966

(**) **Term:** **14 Years**

(21) **Appl. No.:** **29/269,329**

(22) **Filed:** **Nov. 29, 2006**

(51) **LOC (8) Cl.** **14-01**

(52) **U.S. Cl.** **D14/223**

(58) **Field of Classification Search** D14/188,
D14/192, 205–206, 223, 225; D24/174;
379/430–434, 446; 381/375–381, 385; 181/129–130,
181/135

See application file for complete search history.

(56) **References Cited**

U.S. PATENT DOCUMENTS

D479,834 S *	9/2003	Salazar et al.	D14/205
6,760,459 B2 *	7/2004	Bae	381/375
D494,568 S *	8/2004	Pan	D14/223
D502,171 S *	2/2005	Tang et al.	D14/223
D509,210 S *	9/2005	Skulley et al.	D14/205
D509,823 S *	9/2005	Han et al.	D14/223
D512,410 S *	12/2005	Ng	D14/192
7,020,300 B1 *	3/2006	Villaverde	381/375

D520,497 S *	5/2006	Yang	D14/223
D538,268 S *	3/2007	Gibson et al.	D14/223
D538,271 S *	3/2007	Kim et al.	D14/223

* cited by examiner

Primary Examiner—Paula A. Greene

(74) *Attorney, Agent, or Firm*—Troxell Law Office, PLLC

(57) **CLAIM**

The ornamental design for a wireless earbud, as shown and described.

DESCRIPTION

FIG. 1 is a perspective view of a wireless earbud showing my new design;

FIG. 2 is a front view thereof;

FIG. 3 is a rear view thereof;

FIG. 4 is a left view thereof;

FIG. 5 is a right view thereof;

FIG. 6 is a top view thereof;

FIG. 7 is a bottom view thereof; and,

FIG. 8 is a perspective view of a second embodiment of a wireless earbud showing my new design, the undisclosed rear is not part of the claimed design.

1 Claim, 8 Drawing Sheets

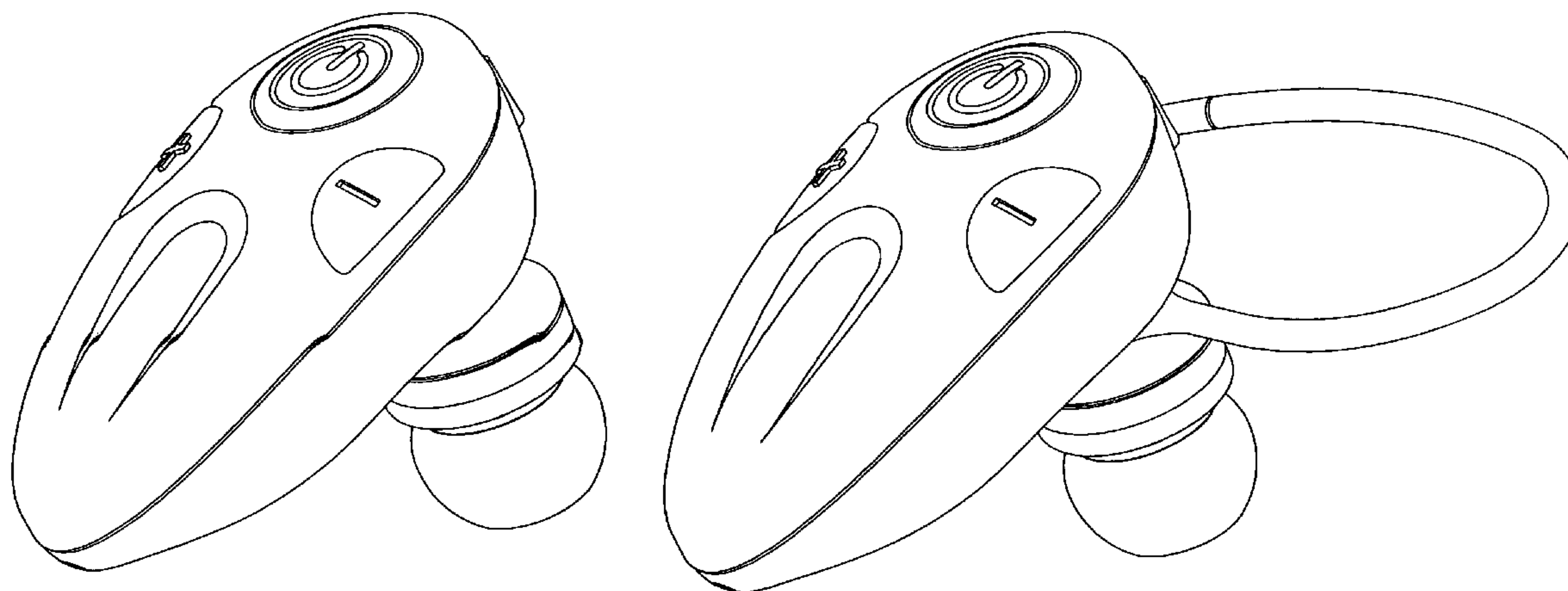




Fig 1

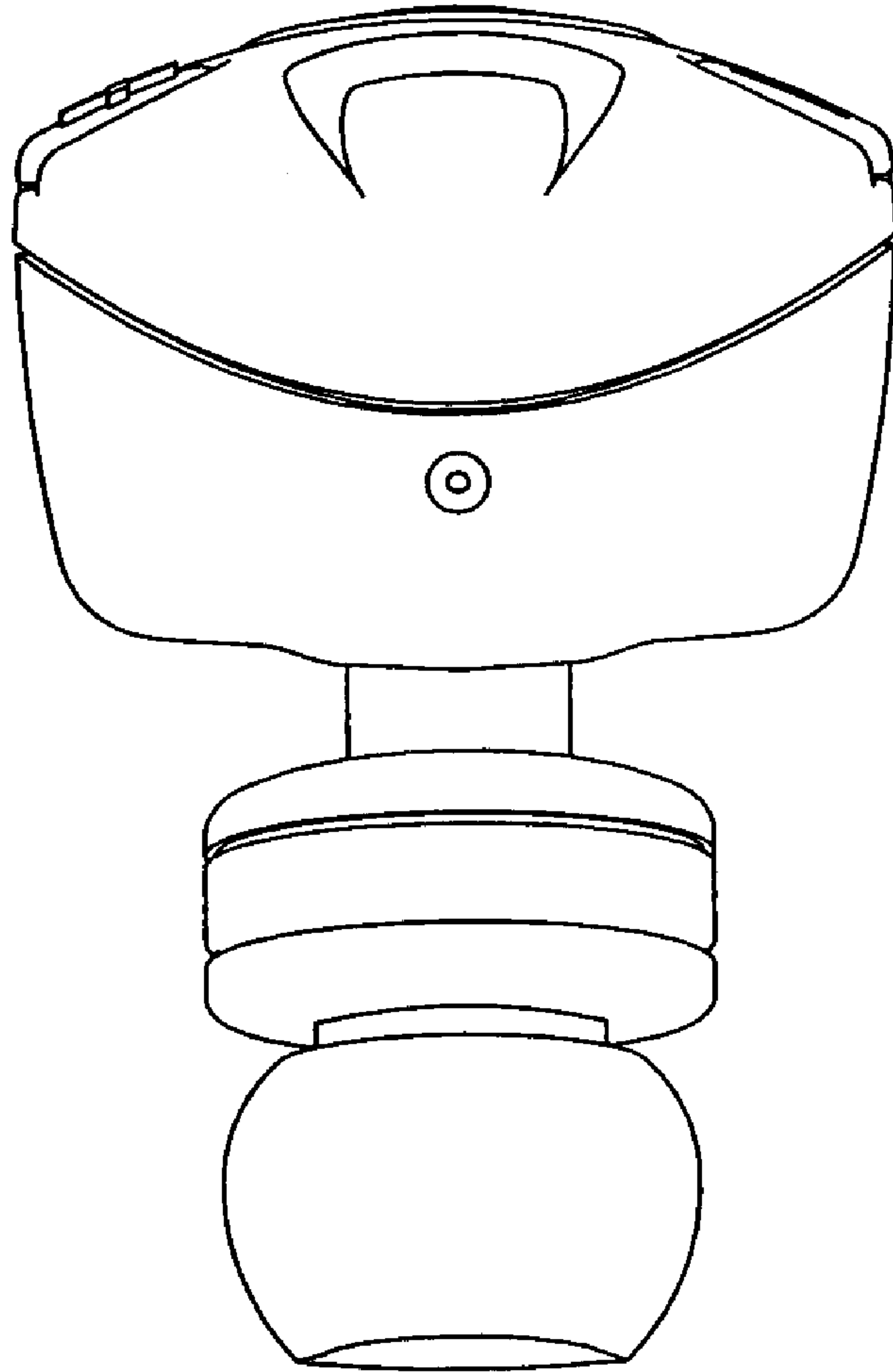


Fig 2

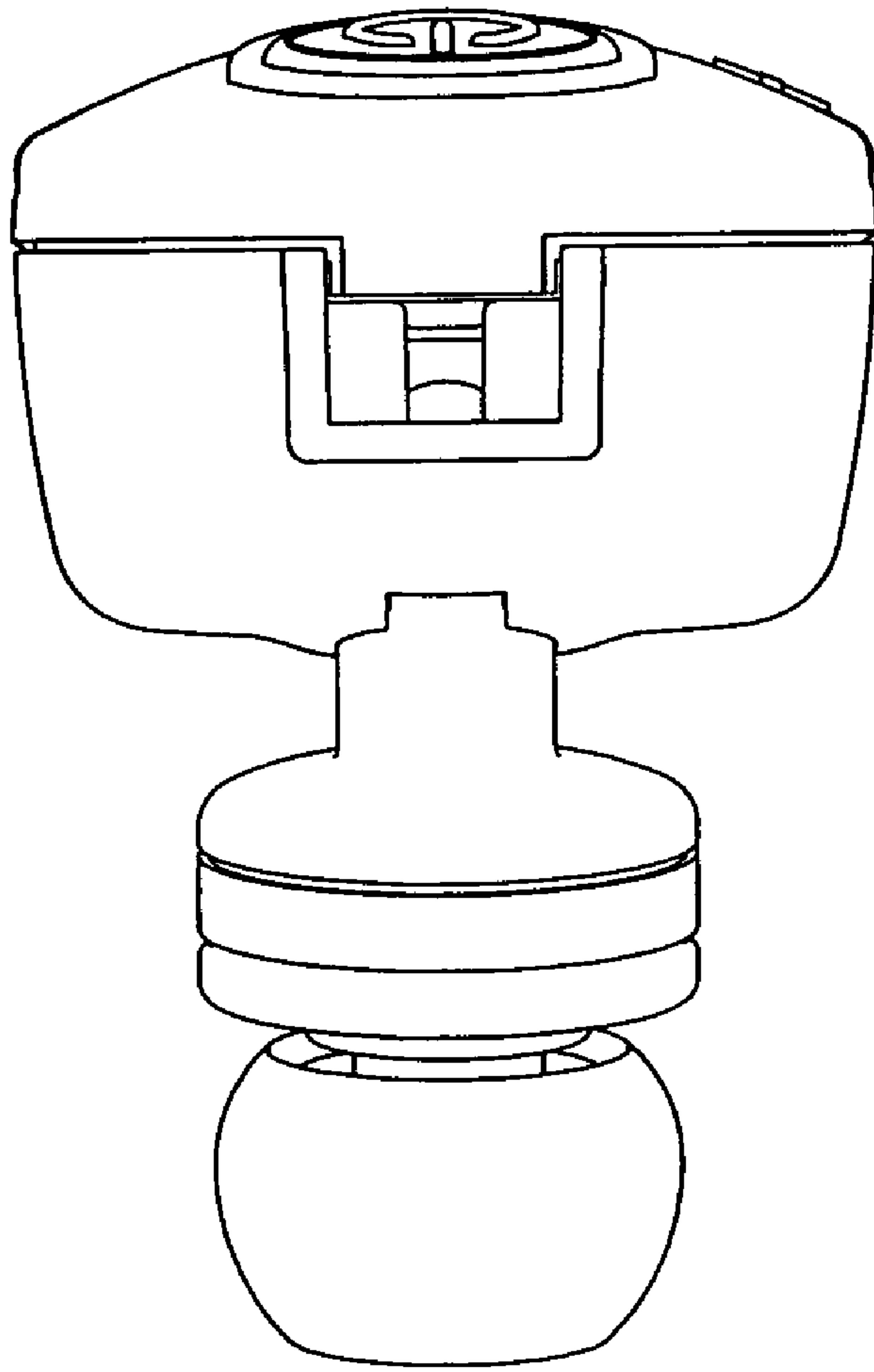


Fig 3

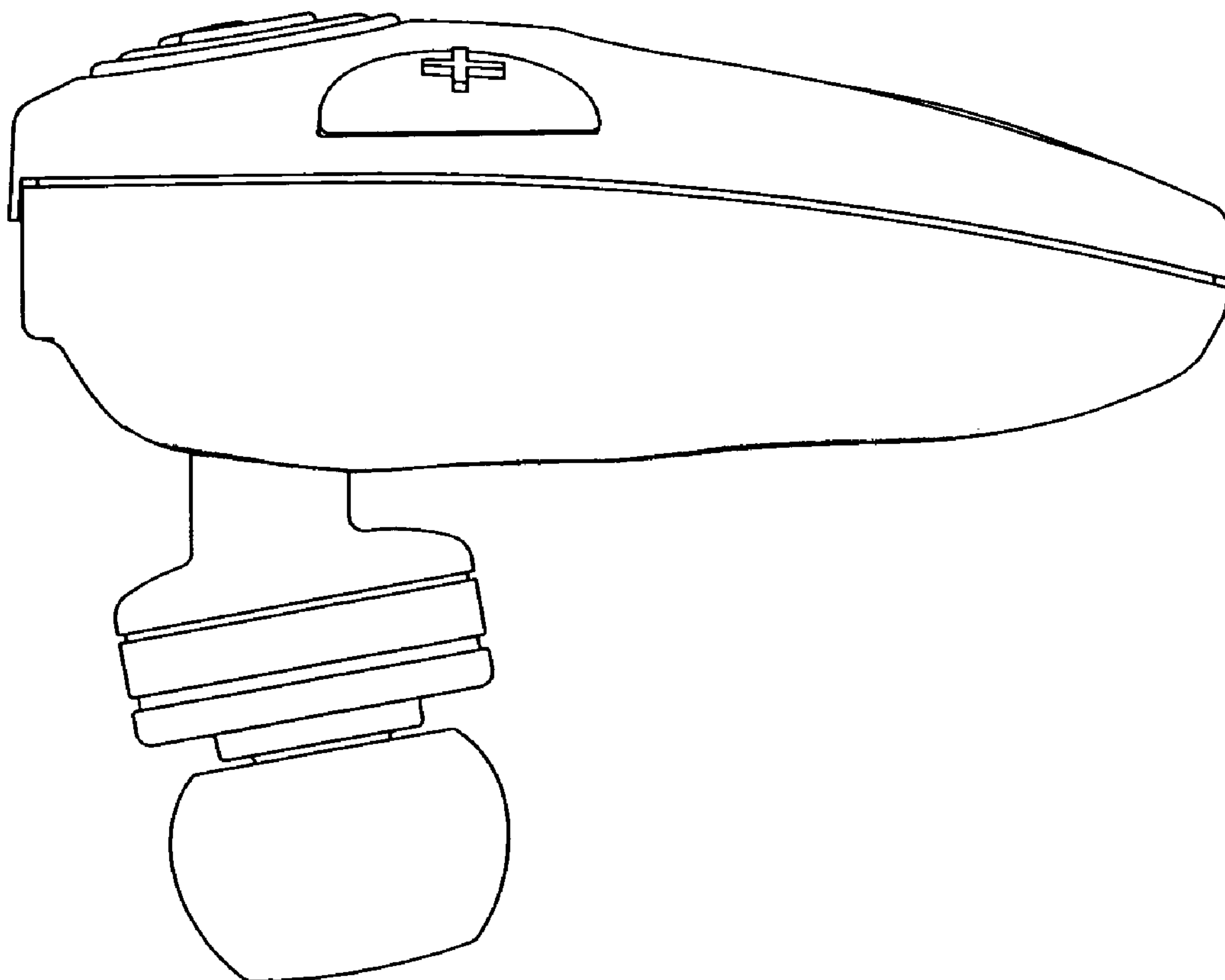


Fig 4

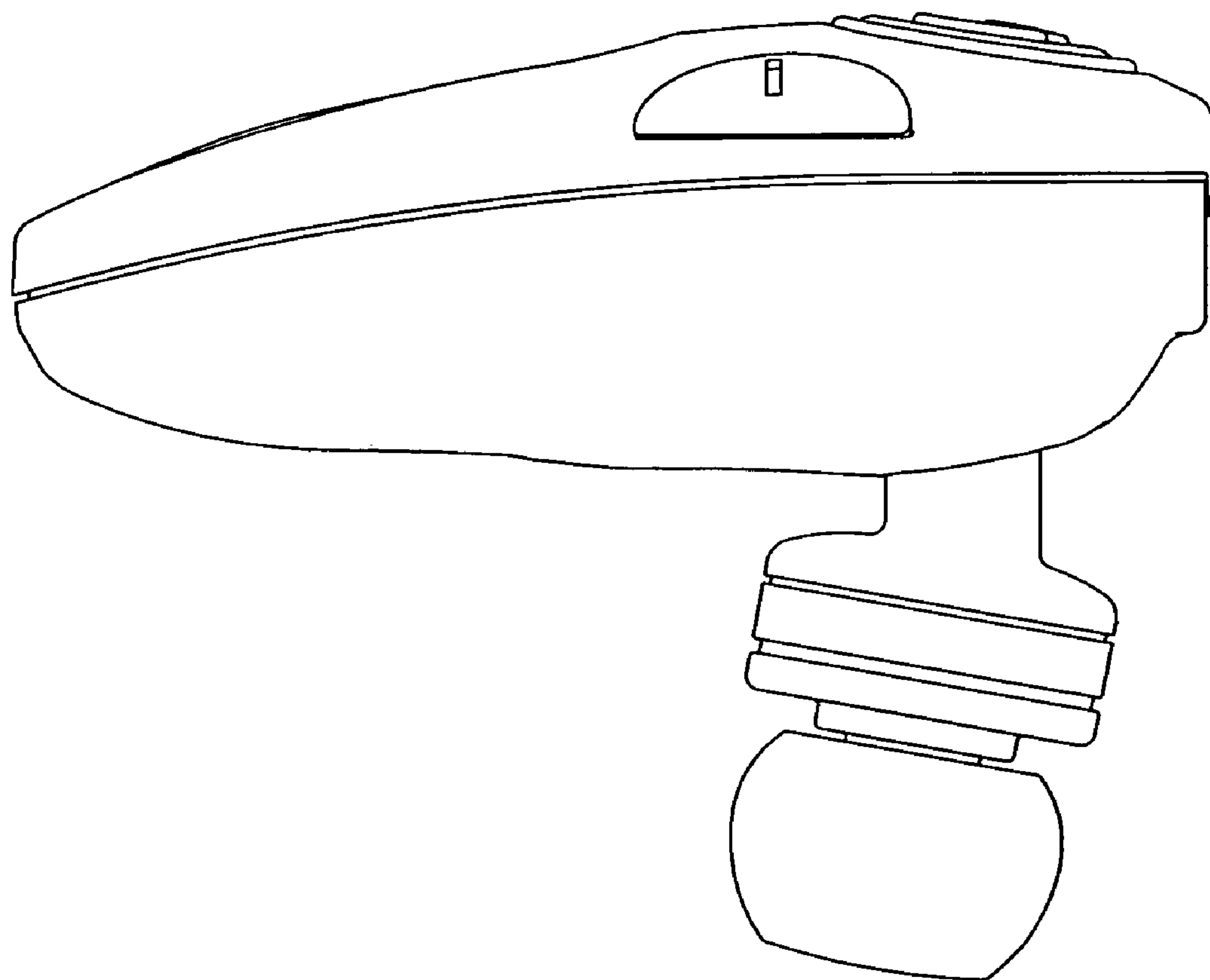


Fig 5

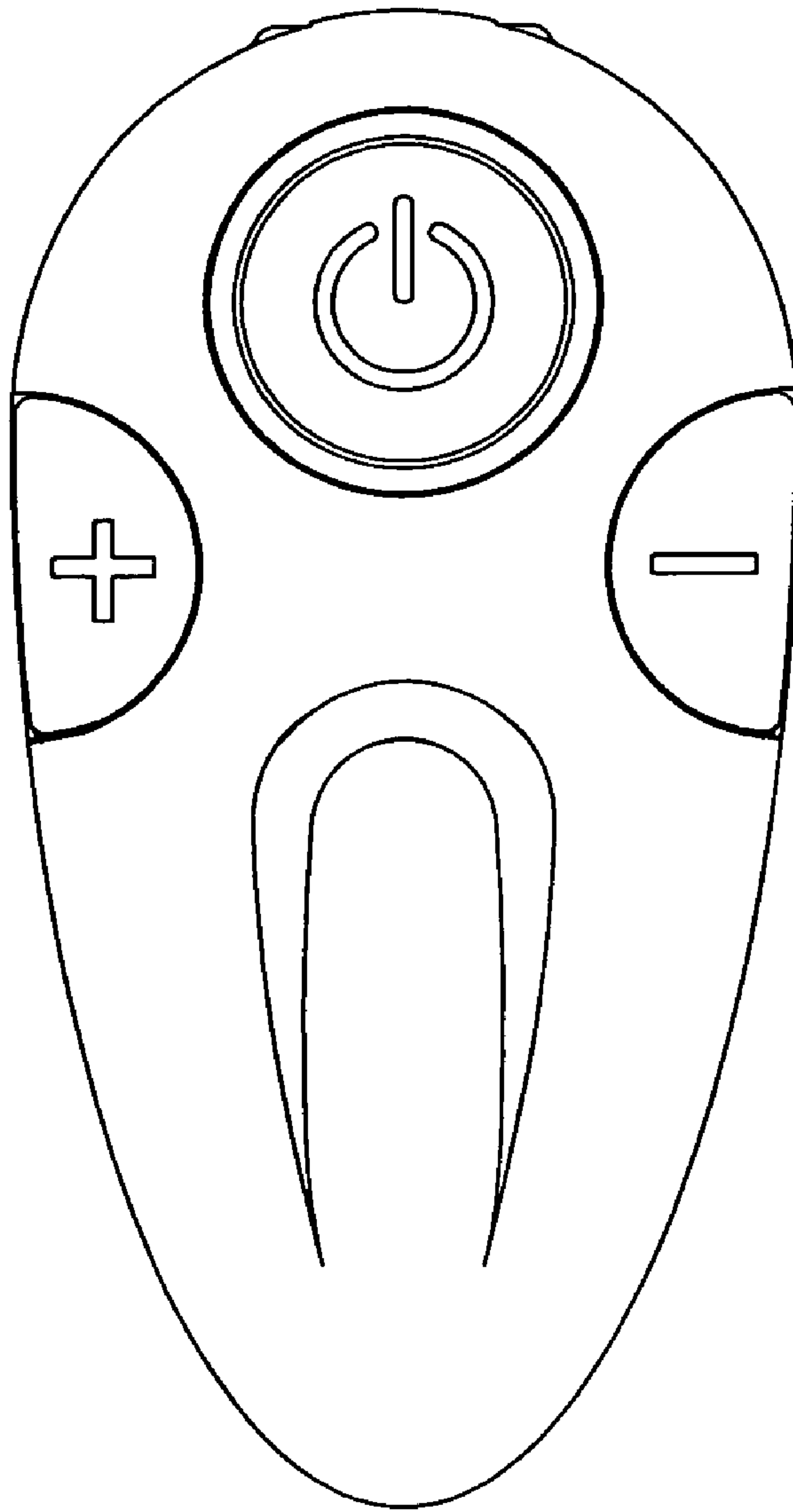


Fig 6

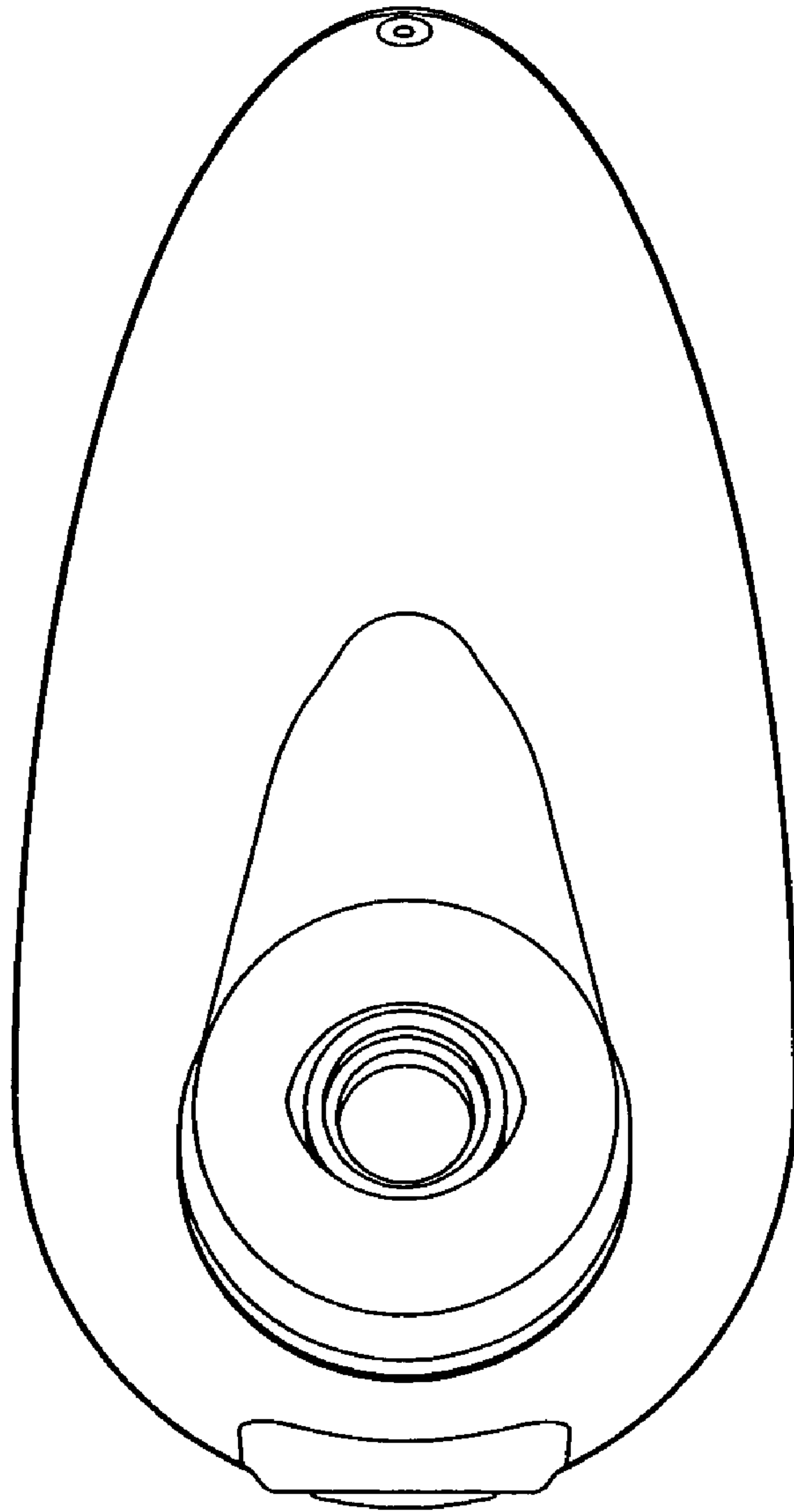


Fig 7

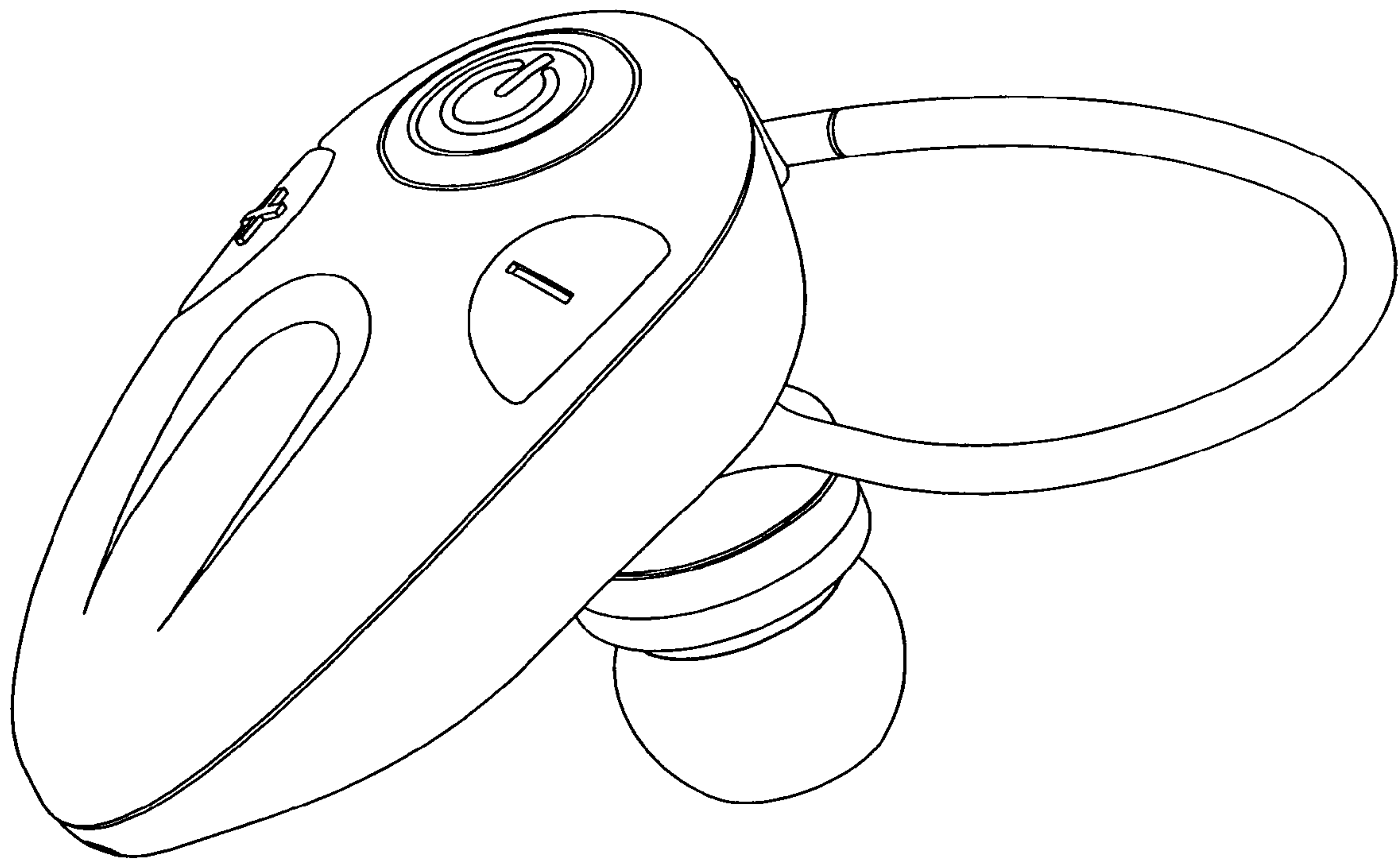


Fig 8