

US00D562796S

(12) **United States Design Patent**
Sohn et al.

(10) **Patent No.:** **US D562,796 S**
(45) **Date of Patent:** **** Feb. 26, 2008**

(54) **MOBILE PHONE**

(75) Inventors: **Soo-Min Sohn**, Seoul (KR); **Joon-Suh Kim**, Anyang-si (KR); **Gee-Hong Yoon**, Seongnam-si (KR)

(73) Assignee: **Samsung Electronics Co., Ltd.**, Suwon-Si (KR)

(**) Term: **14 Years**

(21) Appl. No.: **29/274,394**

(22) Filed: **Apr. 20, 2007**

(30) **Foreign Application Priority Data**

Feb. 7, 2007 (KR) 30-2007-0005651

(51) **LOC (8) Cl.** **14-03**

(52) **U.S. Cl.** **D14/138**

(58) **Field of Classification Search** D14/137, D14/138, 147, 148, 150, 168, 191, 218, 247-248, D14/341-347, 496; D10/65; D13/168; D18/7; 455/90.3, 556.1, 556.2, 575.1, 575.3, 575.4; 379/433.01-433.13; 361/814; 348/14.02
See application file for complete search history.

(56) **References Cited**

U.S. PATENT DOCUMENTS

D422,971 S *	4/2000	Leib	D14/346
D452,829 S *	1/2002	Liles	D10/65
D496,644 S *	9/2004	Yoo et al.	D14/138
D524,783 S *	7/2006	Lee	D14/138
D525,959 S *	8/2006	Kim et al.	D14/138
D526,300 S *	8/2006	Lee	D14/138
D527,000 S *	8/2006	Hong et al.	D14/346
D530,300 S *	10/2006	Cha et al.	D14/138
D530,301 S *	10/2006	Kim et al.	D14/138
D533,160 S *	12/2006	Yoo et al.	D14/138
D534,143 S *	12/2006	Lheem	D14/138
D534,144 S *	12/2006	Chung et al.	D14/138
D534,145 S *	12/2006	Lheem	D14/138

D534,517 S *	1/2007	Cho et al.	D14/138
D534,518 S *	1/2007	Choi et al.	D14/138
D534,893 S *	1/2007	Jo et al.	D14/138
D535,274 S *	1/2007	Lee	D14/138

(Continued)

FOREIGN PATENT DOCUMENTS

WO	DM/048489	*	7/1999
WO	DM/062755	*	11/2002

OTHER PUBLICATIONS

Pantech PG-3600V, announced Feb. 2006, [online], [retrieved on Feb. 20, 2007]. Retrieved from Internet ,<URL: <http://www.gsmarena.com>>.*

(Continued)

Primary Examiner—Jeffrey Asch
Assistant Examiner—Bridget L Eland
(74) *Attorney, Agent, or Firm*—Staas & Halsey LLP

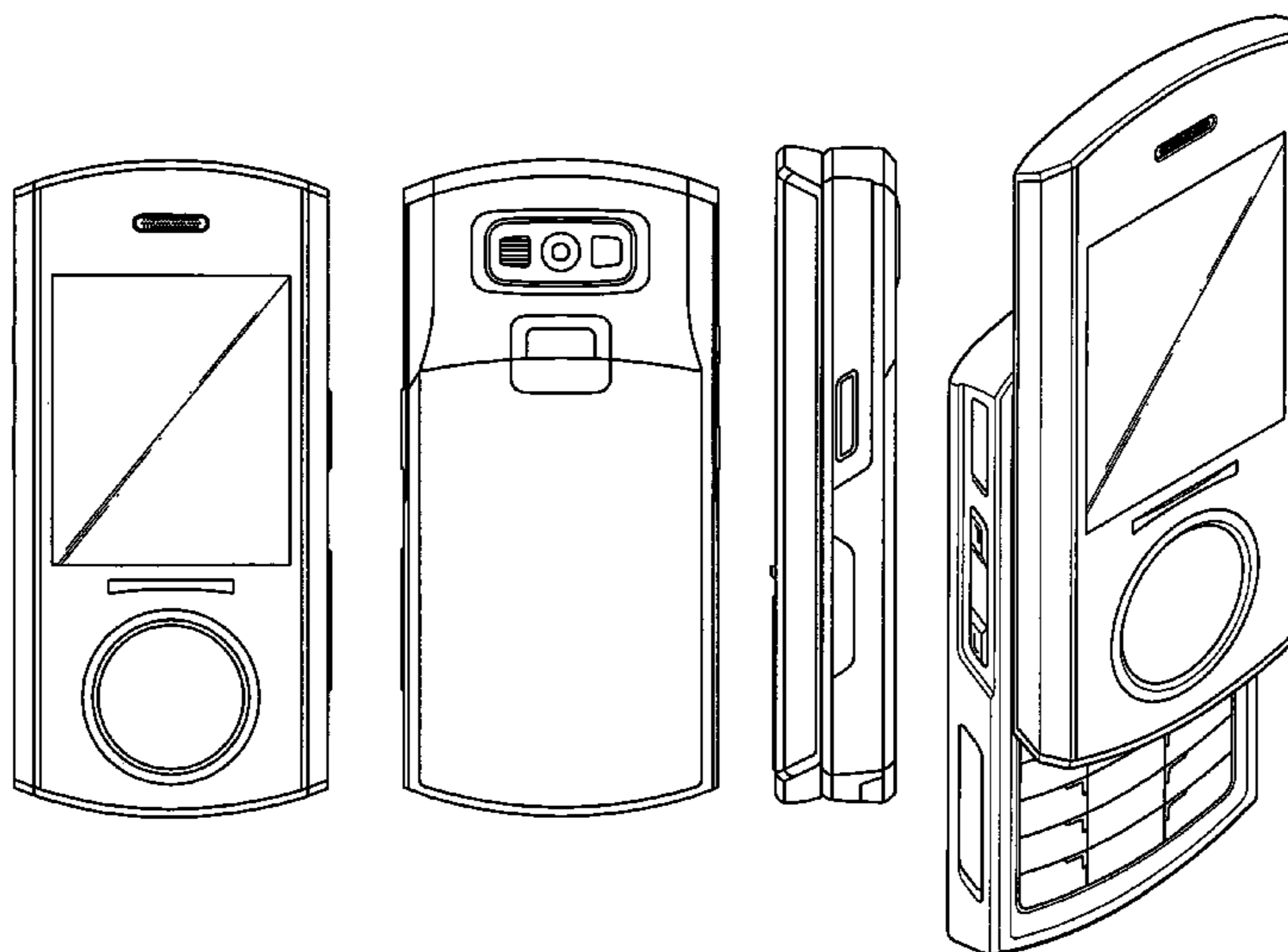
(57) **CLAIM**

The ornamental design for a mobile phone, as shown and described.

DESCRIPTION

FIG. 1 is a perspective view of a mobile phone;
FIG. 2 is a front view of the mobile phone of FIG. 1;
FIG. 3 is a rear view of the mobile phone of FIG. 1;
FIG. 4 is a left-side view of the mobile phone of FIG. 1;
FIG. 5 is a right-side view of the mobile phone of FIG. 1;
FIG. 6 is a top plan view of the mobile phone of FIG. 1;
FIG. 7 is a bottom plan view of the mobile phone of FIG. 1;
and,
FIG. 8 is an open perspective view of the mobile phone of FIG. 1.

1 Claim, 3 Drawing Sheets



US D562,796 S

Page 2

U.S. PATENT DOCUMENTS

D535,968 S * 1/2007 Lee D14/138
D536,690 S * 2/2007 Lee D14/138
D536,691 S * 2/2007 Park D14/138
D540,204 S * 4/2007 Aguilar D10/65
D549,198 S * 8/2007 Kim et al. D14/138
D549,683 S * 8/2007 Cho et al. D14/138
2004/0242288 A1 * 12/2004 Balle et al. 455/575.1
2005/0124397 A1 * 6/2005 Yamasaki 455/575.4
2006/0293093 A1 * 12/2006 Marcus 455/575.3

OTHER PUBLICATIONS

Pantech U-4000, announced Nov. 2006, [online], [retrieved on Feb. 20, 2007]. Retrieved from Internet ,<URL: <http://www.gsmarena.com>>.*

Alacatel OT-E260, announced 1st quarter 2006, [online], [retrieved on Feb. 16, 2007]. Retrieved from Internet ,<URL: <http://www.gsmarena.com>>.*

Samsung X810, announced 2nd quarter 2005, [online], [retrieved on Aug. 21, 2007]. Retrieved from Internet ,<URL: <http://www.gsmarena.com>>.*

* cited by examiner

FIG. 1

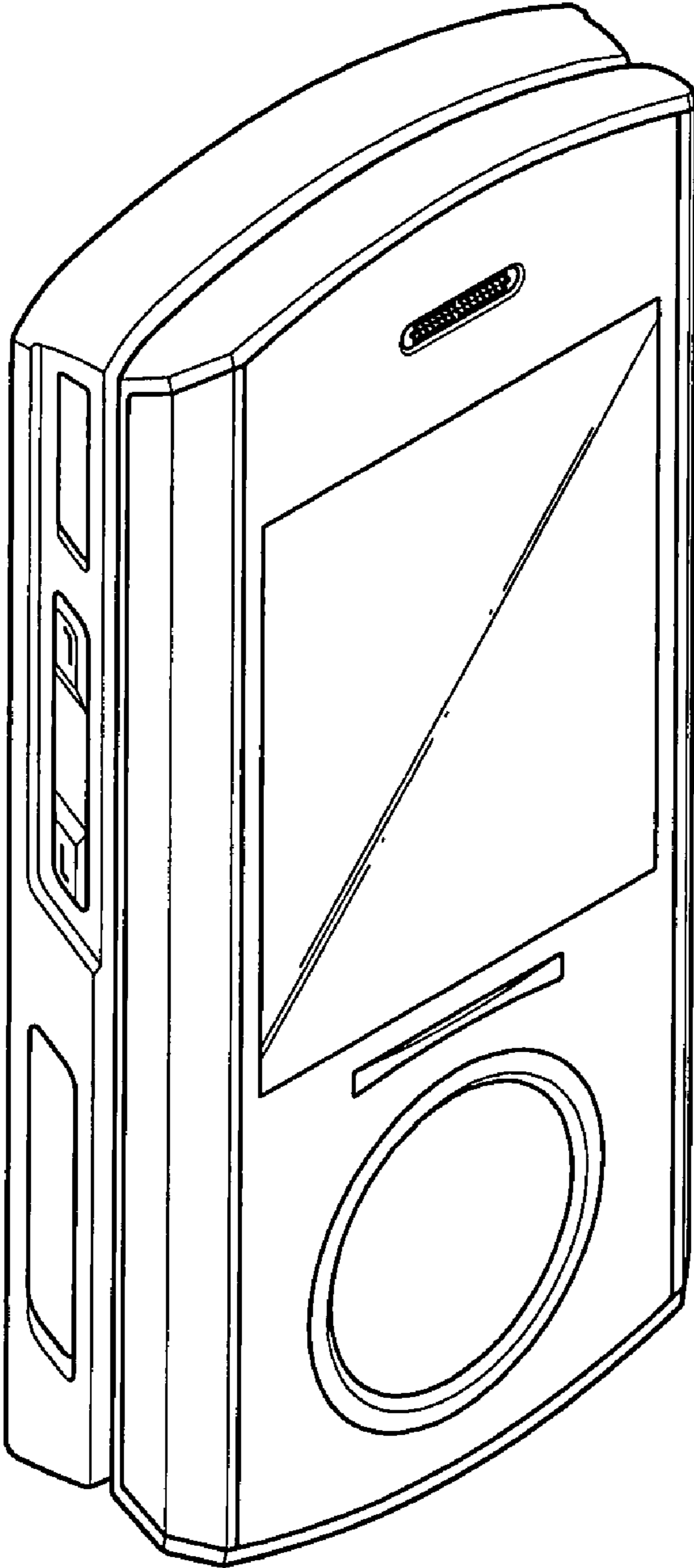


FIG.2

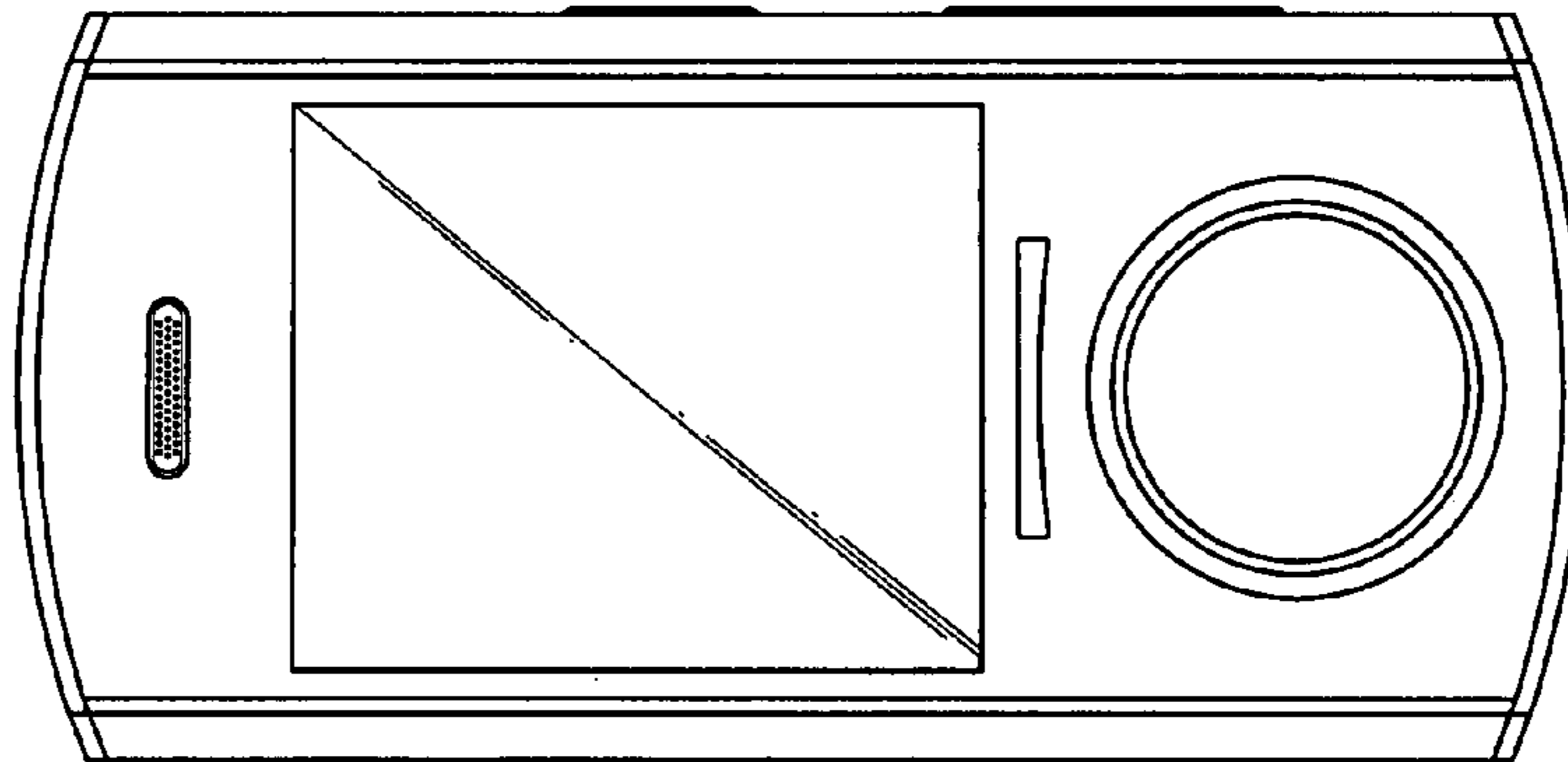


FIG.3

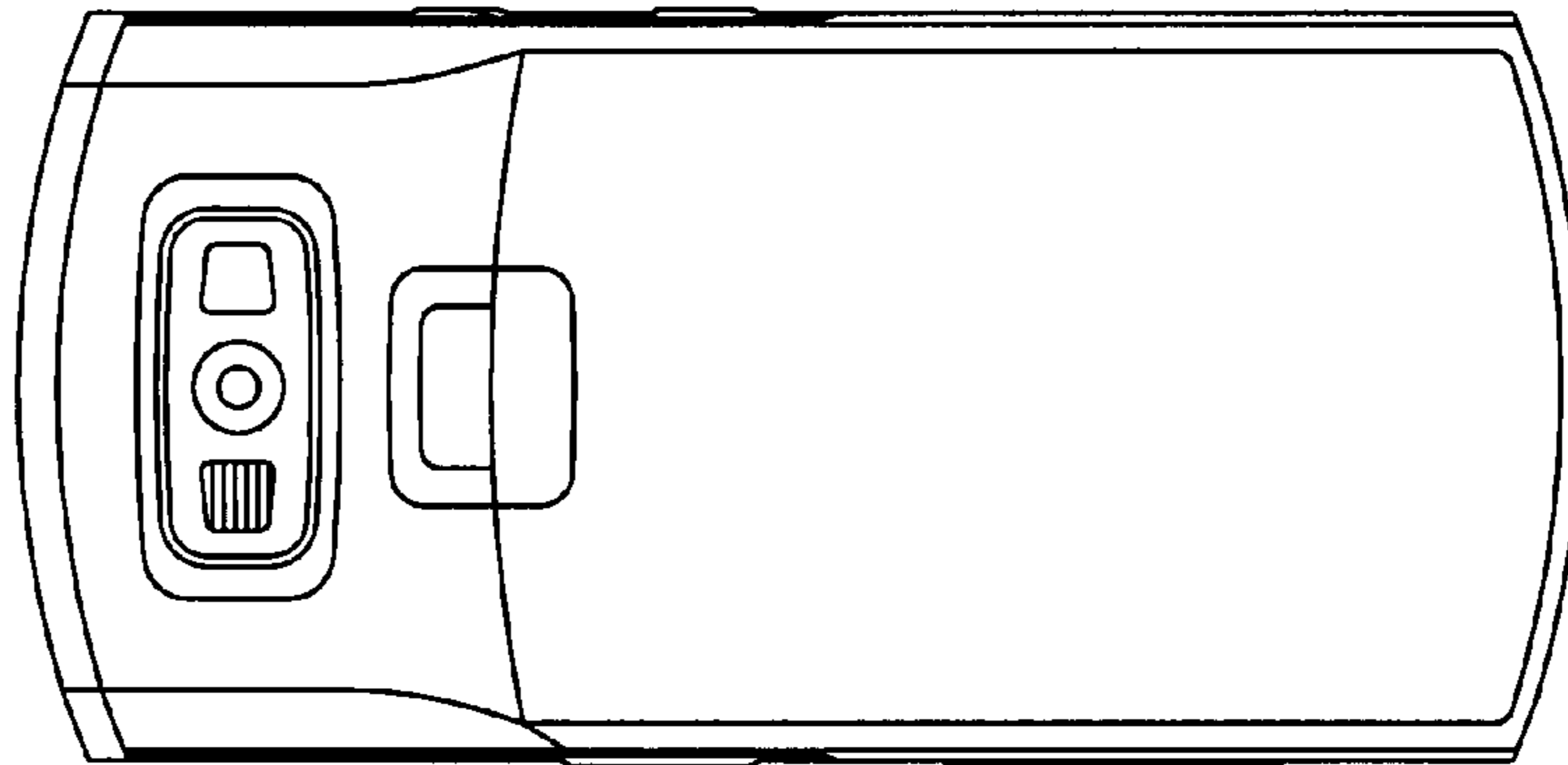


FIG.4

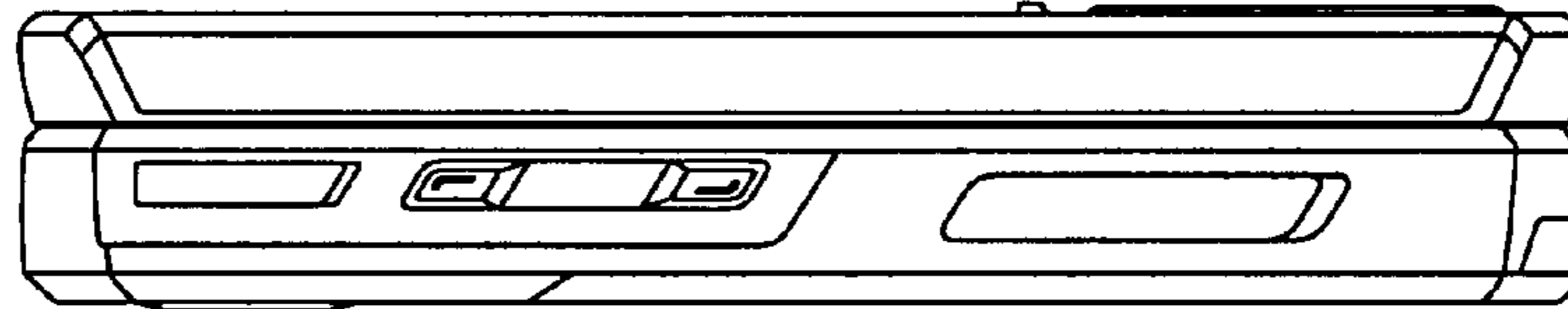


FIG.5

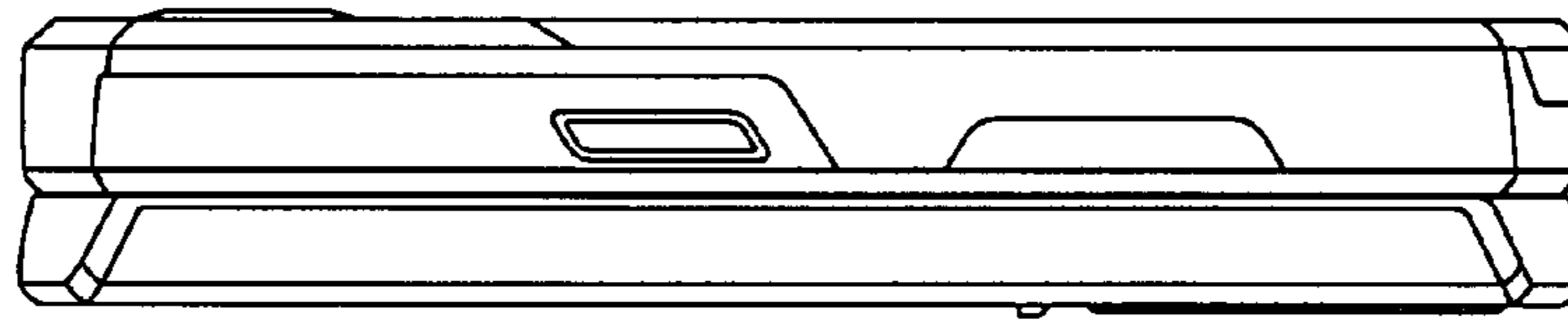


FIG.6

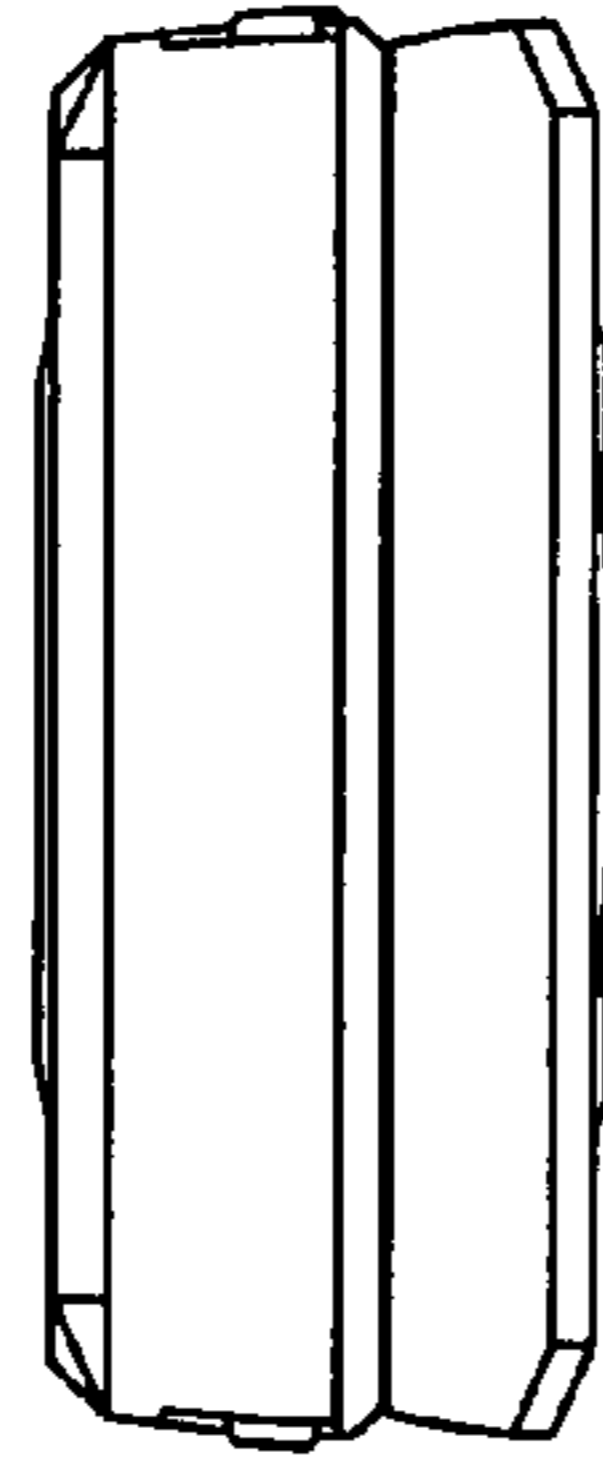


FIG.7

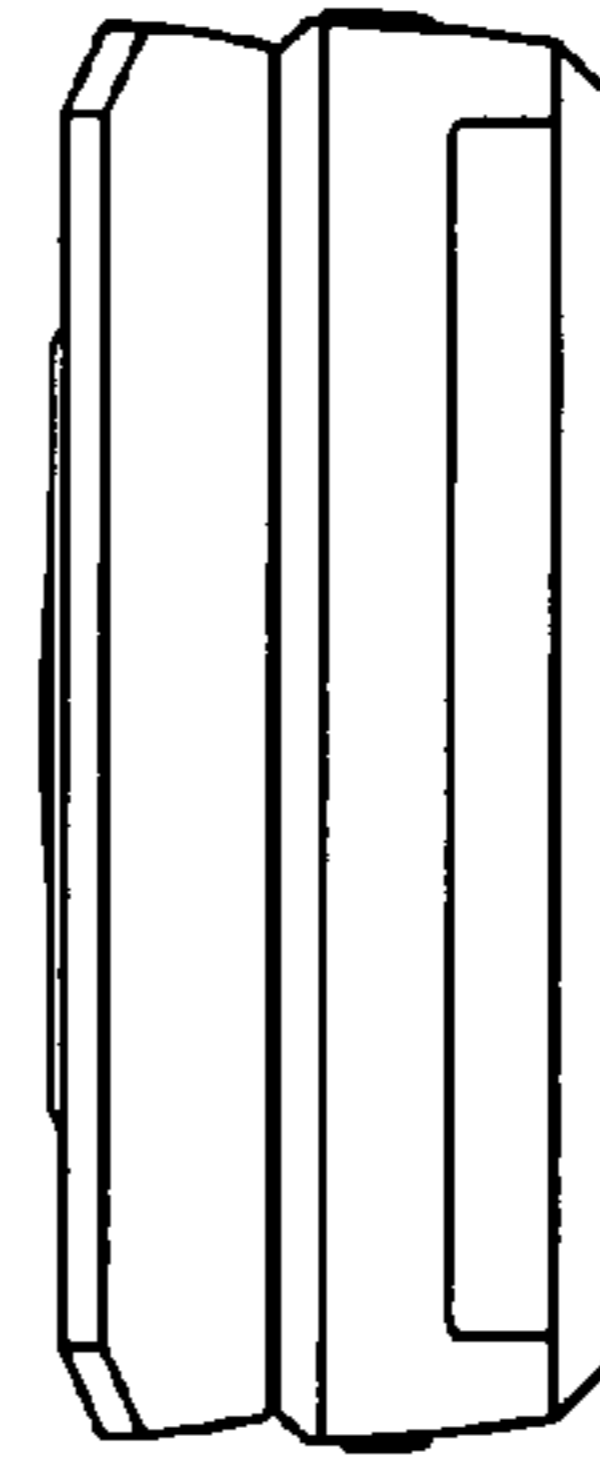


FIG.8

