

US00D562791S

(12) **United States Design Patent**  
**Kim et al.**

(10) **Patent No.:** **US D562,791 S**  
(45) **Date of Patent:** **\*\* Feb. 26, 2008**

(54) **MOBILE PHONE**

(75) Inventors: **Sung-Kwon Kim**, Gwangmyeong-si (KR); **Sang-Min Hyun**, Seoul (KR); **Chang-Soo Lee**, Incheon (KR)

(73) Assignee: **Samsung Electronics Co., Ltd.**, Suwon-Si (KR)

(\*\*) Term: **14 Years**

(21) Appl. No.: **29/259,122**

(22) Filed: **May 3, 2006**

(30) **Foreign Application Priority Data**

Jan. 23, 2006 (KR) ..... 30-2006-0002772

(51) **LOC (8) Cl.** ..... **14-03**

(52) **U.S. Cl.** ..... **D14/138**

(58) **Field of Classification Search** ..... D14/137, D14/138, 147, 218, 341-347, 496; 455/90.3, 455/556.1, 556.2, 575.1, 575.3, 575.4; 379/433.01-433.13; 361/814; 348/14.02  
See application file for complete search history.

(56) **References Cited**

**U.S. PATENT DOCUMENTS**

D479,215 S *	9/2003	Yokoyama	.....	D14/138
D514,590 S *	2/2006	Naruki	.....	D14/496
D528,096 S *	9/2006	Park	.....	D14/138
D529,472 S *	10/2006	Kim et al.	.....	D14/138
D529,890 S *	10/2006	Park et al.	.....	D14/138
D529,891 S *	10/2006	Hyun et al.	.....	D14/138
D530,295 S *	10/2006	Chung et al.	.....	D14/138
D531,608 S *	11/2006	Kim et al.	.....	D14/138
D531,611 S *	11/2006	Kim et al.	.....	D14/138
D533,530 S *	12/2006	Kim et al.	.....	D14/138
D534,517 S *	1/2007	Cho et al.	.....	D14/138
D534,891 S *	1/2007	Park et al.	.....	D14/138
D535,275 S *	1/2007	Kim et al.	.....	D14/138

2005/0009581 A1 *	1/2005	Im et al.	.....	455/575.4
2005/0070344 A1 *	3/2005	Im et al.	.....	455/575.1
2006/0093133 A1 *	5/2006	Park et al.	.....	379/433.12

**FOREIGN PATENT DOCUMENTS**

WO	DM/060180	*	5/2002
WO	DM/067109	*	9/2005

**OTHER PUBLICATIONS**

LG KU950, announced Feb. 2007, [online], [retrieved on Feb. 20, 2007]. Retrieved from Internet ,<URL: <http://www.gsmarena.com>>.\*  
Samsung D820, announced 4<sup>th</sup> quarter 2005, [online], [retrieved on Feb. 8, 2007]. Retrieved from Internet ,<URL: <http://www.gsmarena.com>>.\*

\* cited by examiner

*Primary Examiner*—Jeffrey Asch

*Assistant Examiner*—Bridget L. Eland

(74) *Attorney, Agent, or Firm*—Staas & Halsey LLP

(57) **CLAIM**

The ornamental design for the mobile phone, as shown and described.

**DESCRIPTION**

FIG. 1 is a perspective view of the mobile phone showing our design;

FIG. 2 is a front view thereof;

FIG. 3 is a rear view thereof;

FIG. 4 is a left side view thereof;

FIG. 5 is a right side view thereof;

FIG. 6 is a top plan view thereof;

FIG. 7 is a bottom plan view thereof; and,

FIG. 8 is a perspective, open view thereof.

**1 Claim, 4 Drawing Sheets**

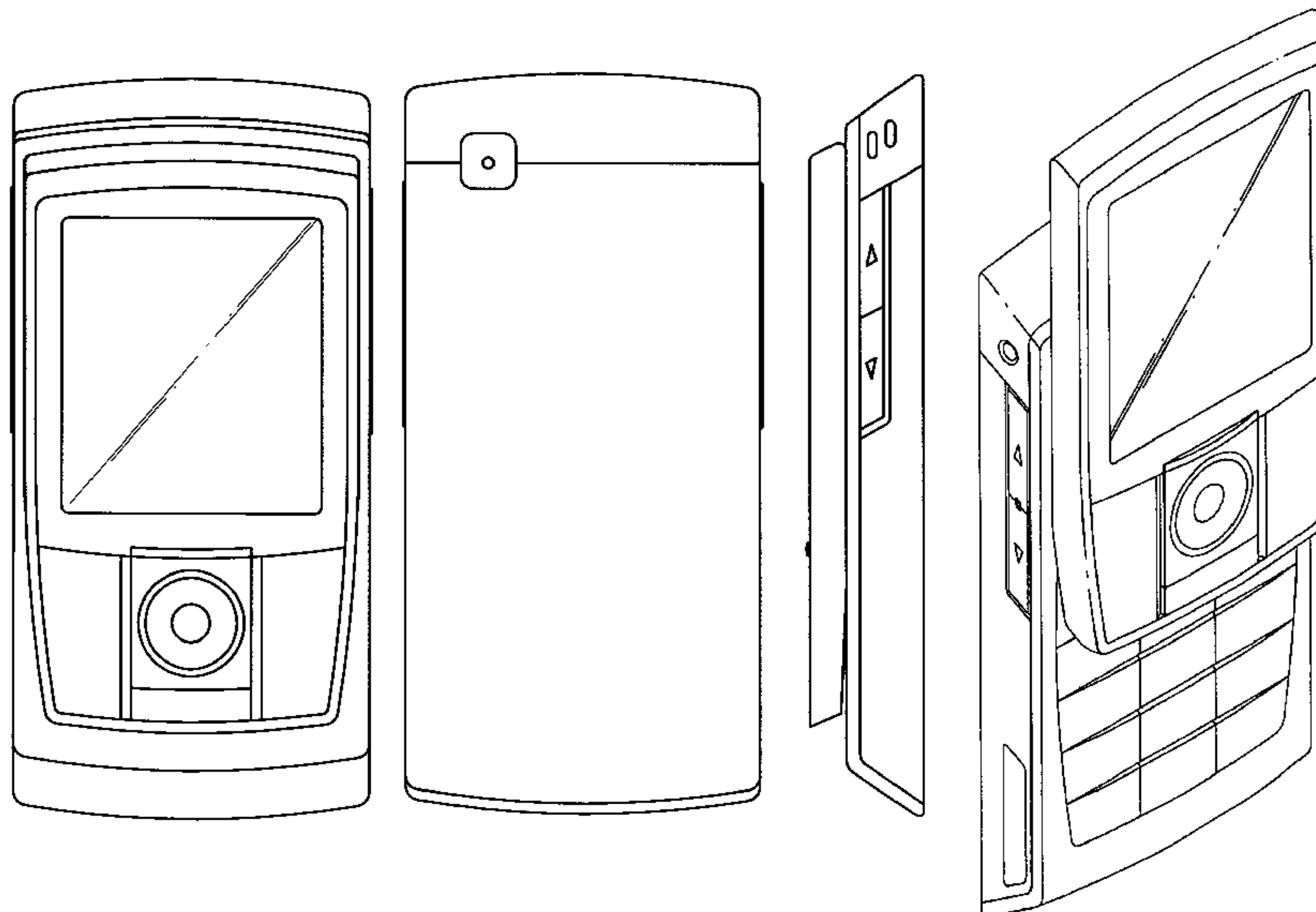


FIG. 1

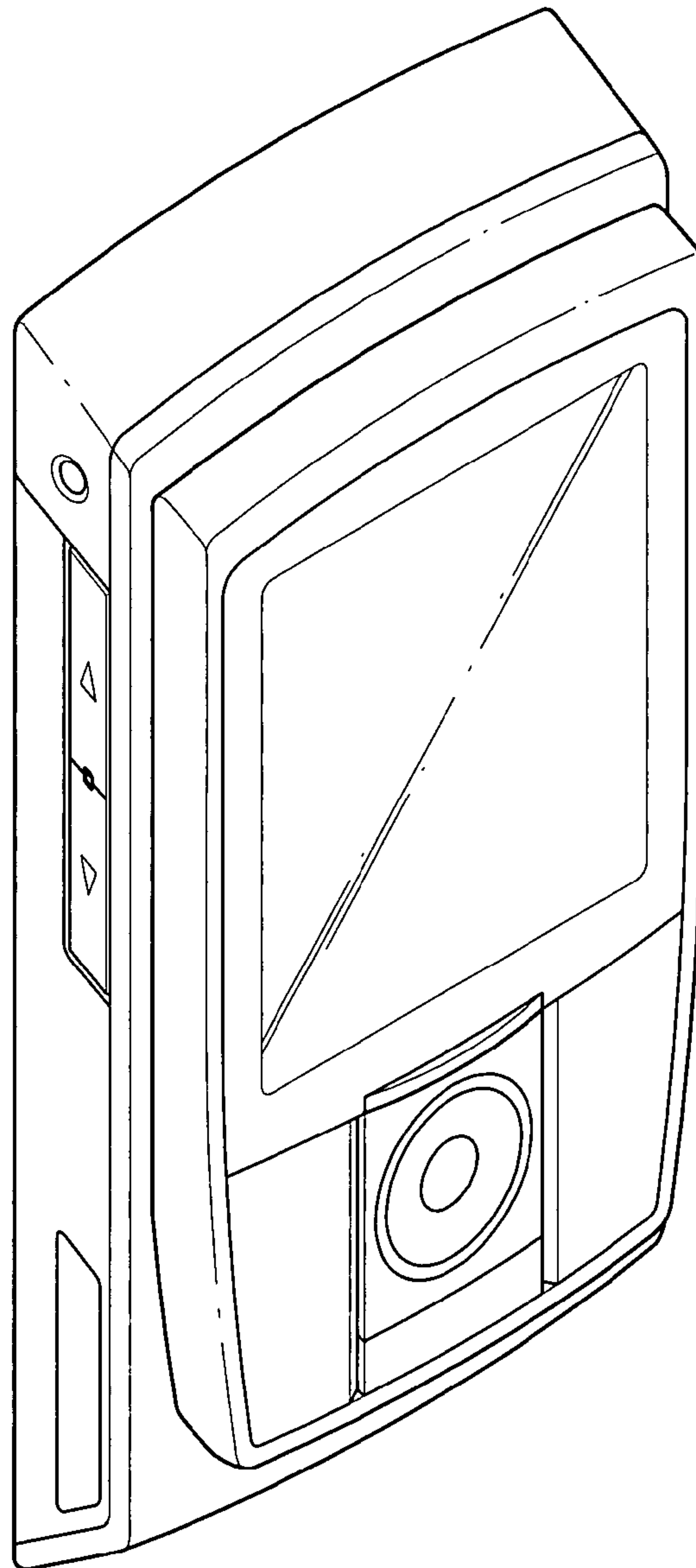


FIG. 2

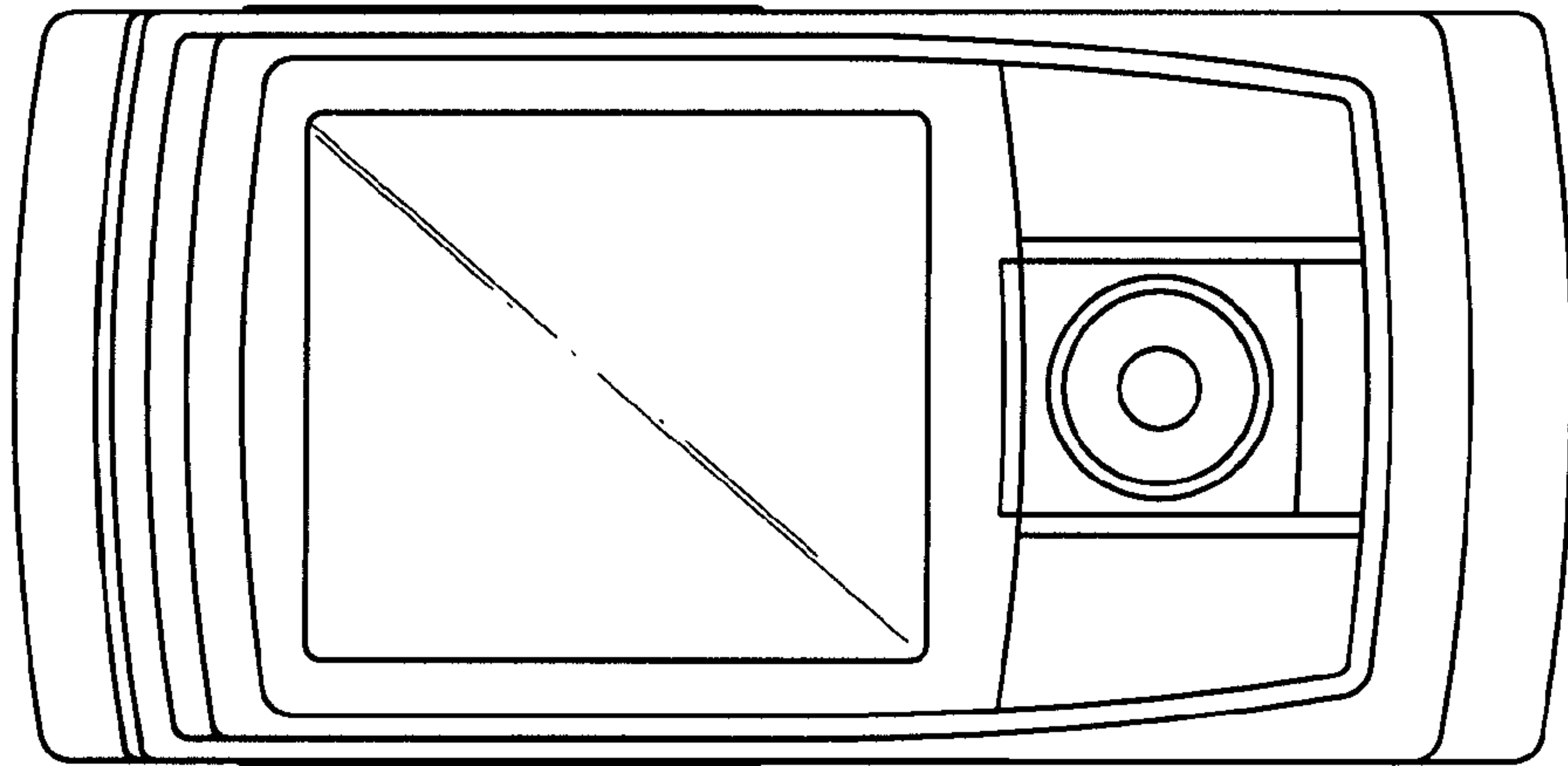


FIG. 3

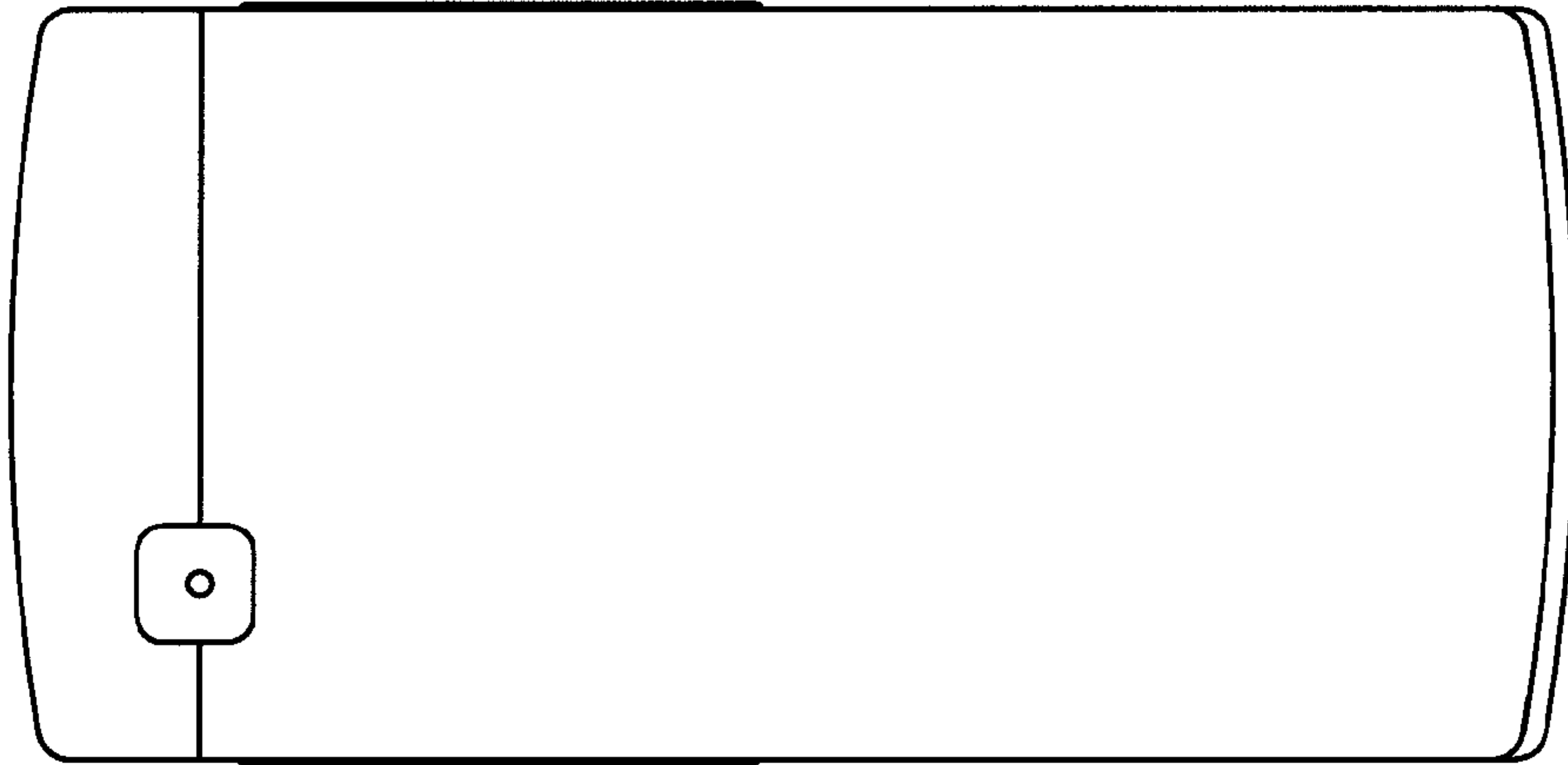


FIG. 4

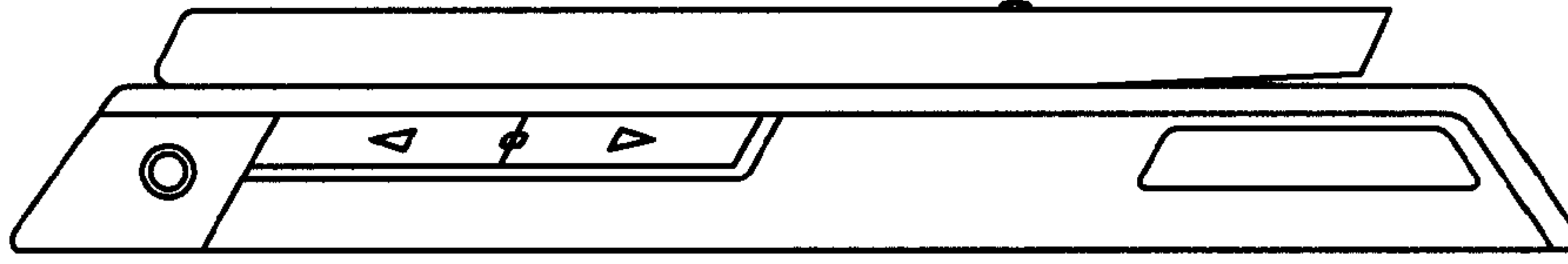


FIG. 5

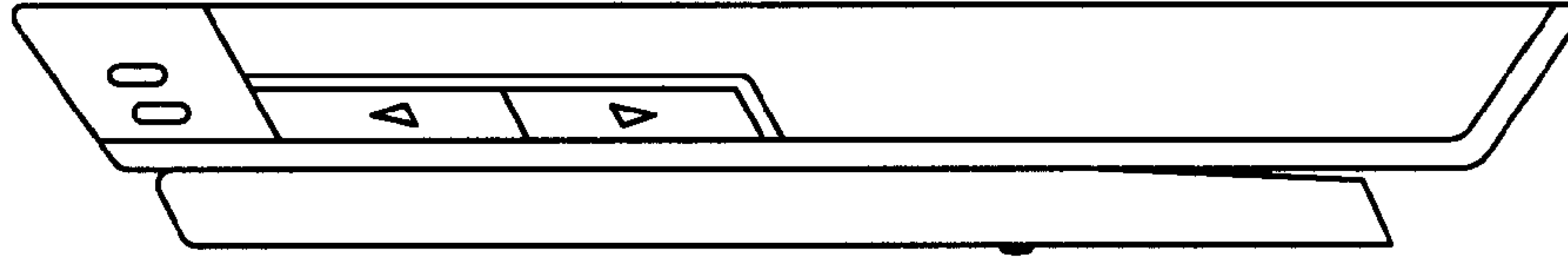


FIG.6

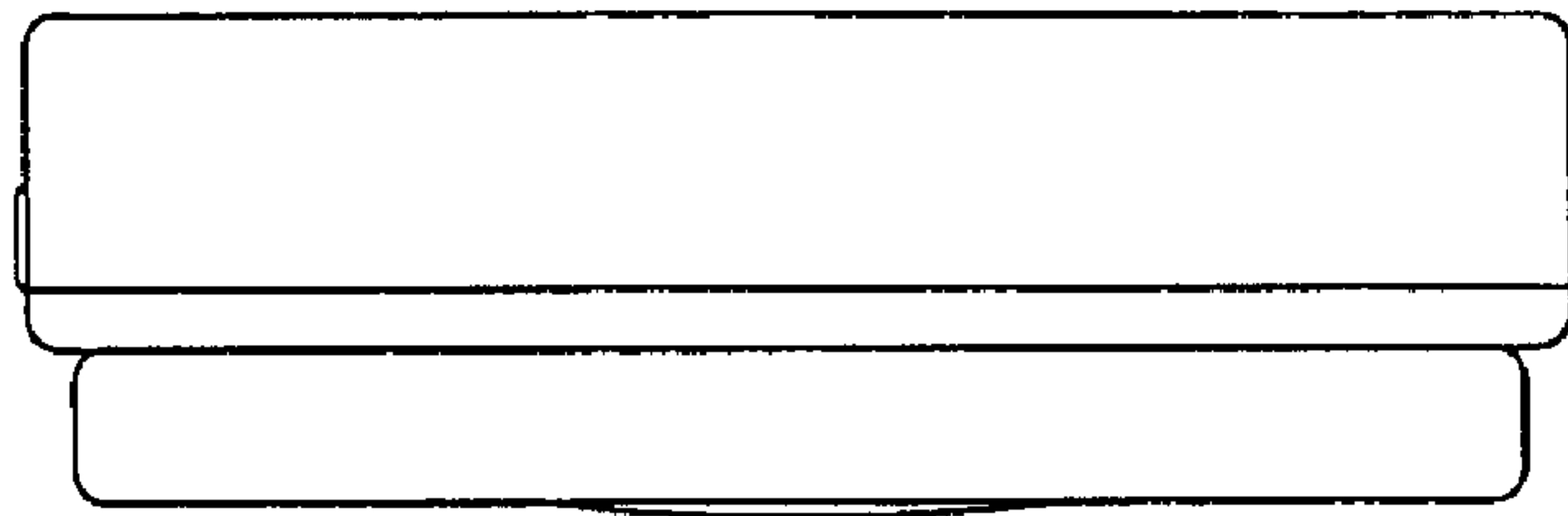


FIG.7

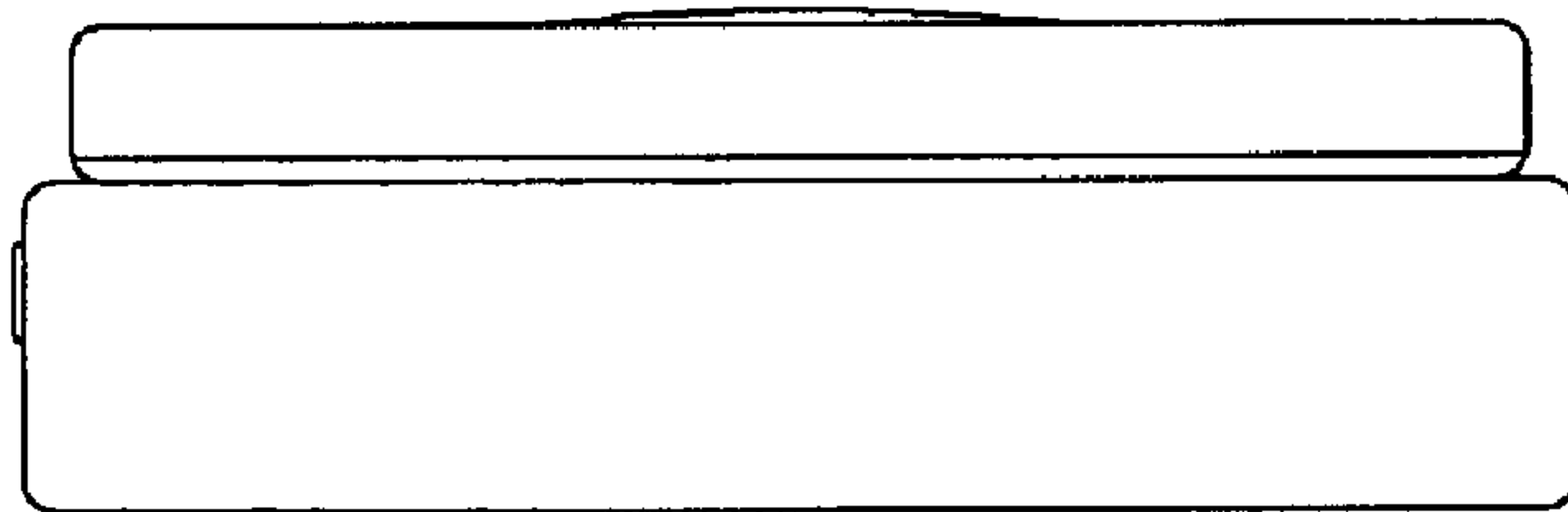


FIG. 8

