

US00D562789S

(12) **United States Design Patent**
Huang et al.

(10) **Patent No.:** **US D562,789 S**

(45) **Date of Patent:** **** Feb. 26, 2008**

(54) **MONITOR**

(75) Inventors: **Ming-Chih Huang**, Taichung (TW);
Ming-Hsing Chi, Taichung (TW);
Ming-Hsing Liu, Taichung (TW)

(73) Assignee: **Hiwin Mikrosystem Corp.**, Taichung (TW)

(**) Term: **14 Years**

(21) Appl. No.: **29/280,480**

(22) Filed: **May 30, 2007**

(51) **LOC (8) Cl.** **14-03**

(52) **U.S. Cl.** **D14/126**

(58) **Field of Classification Search** D14/125-134,
D14/239, 371, 136, 374-377; 312/7.2; 348/836,
348/838, 180, 184, 325, 739; 341/12; 248/917-927,
248/465; 345/104, 133, 156, 168, 87, 173;
720/605, 669, 600, 655; 369/99, 197; 455/344-347
See application file for complete search history.

(56) **References Cited**

U.S. PATENT DOCUMENTS

D391,251 S * 2/1998 Yuyama et al. D14/132
D405,443 S * 2/1999 Marsh D14/126
D412,899 S * 8/1999 Rosen D14/132

D439,567 S * 3/2001 Forlenza et al. D14/336
D501,832 S * 2/2005 Peng D14/126
D507,785 S * 7/2005 Mizokawa D14/126
D518,004 S * 3/2006 Peng D14/126
D541,769 S * 5/2007 Hoehn et al. D14/126
D545,785 S * 7/2007 Riggs D14/127
D546,791 S * 7/2007 Liang et al. D14/129

* cited by examiner

Primary Examiner—Raphael Barkai
(74) *Attorney, Agent, or Firm*—Banger Shia

(57) **CLAIM**

The ornamental design for a monitor, as shown and described.

DESCRIPTION

FIG. 1 is a perspective view of a monitor showing my new design;

FIG. 2 is a front elevation view thereof;

FIG. 3 is a rear elevational view thereof;

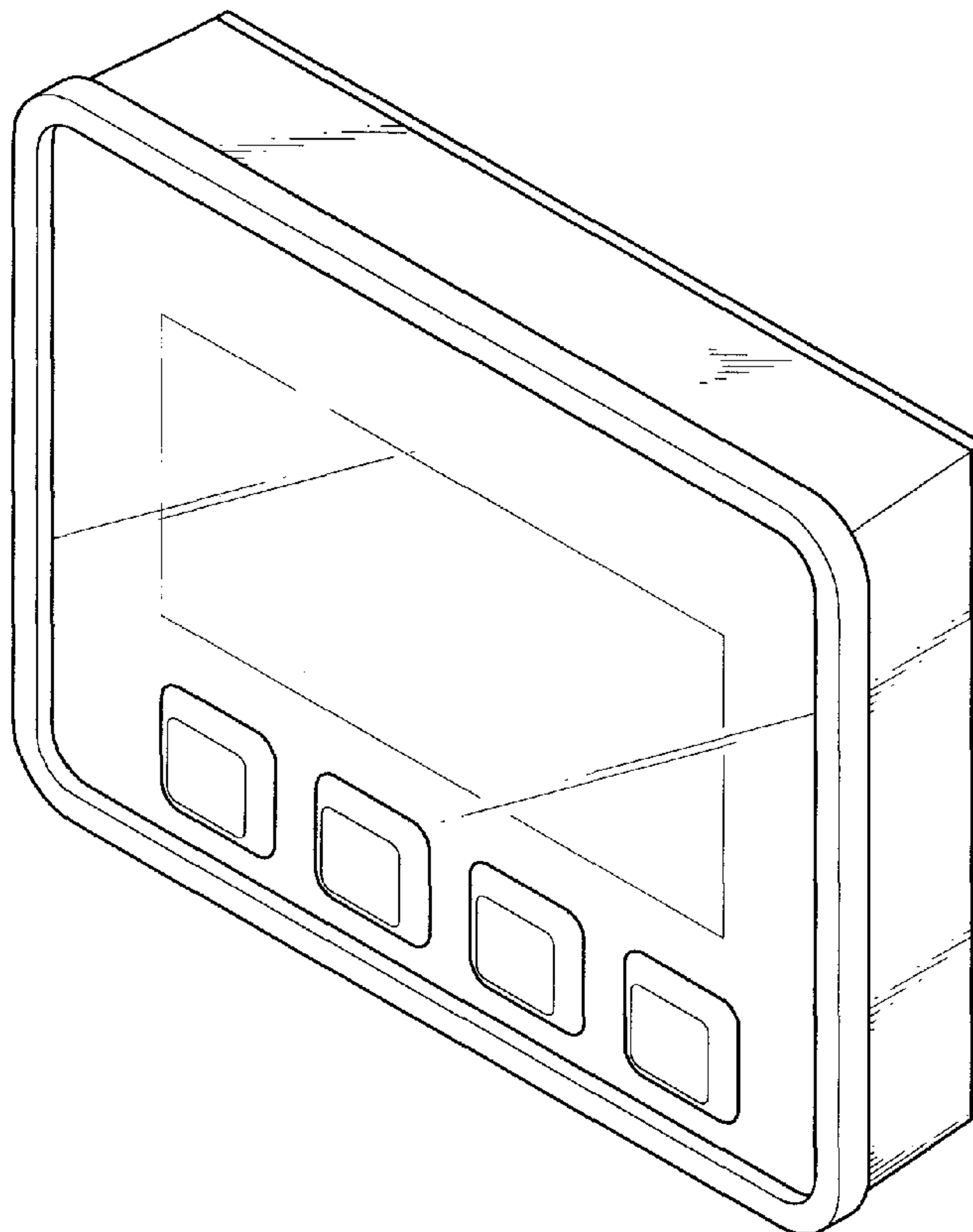
FIG. 4 is a left side elevational view thereof;

FIG. 5 is a right side elevational view thereof;

FIG. 6 is a top plan view thereof; and,

FIG. 7 is a bottom plan view to that shown.

1 Claim, 4 Drawing Sheets



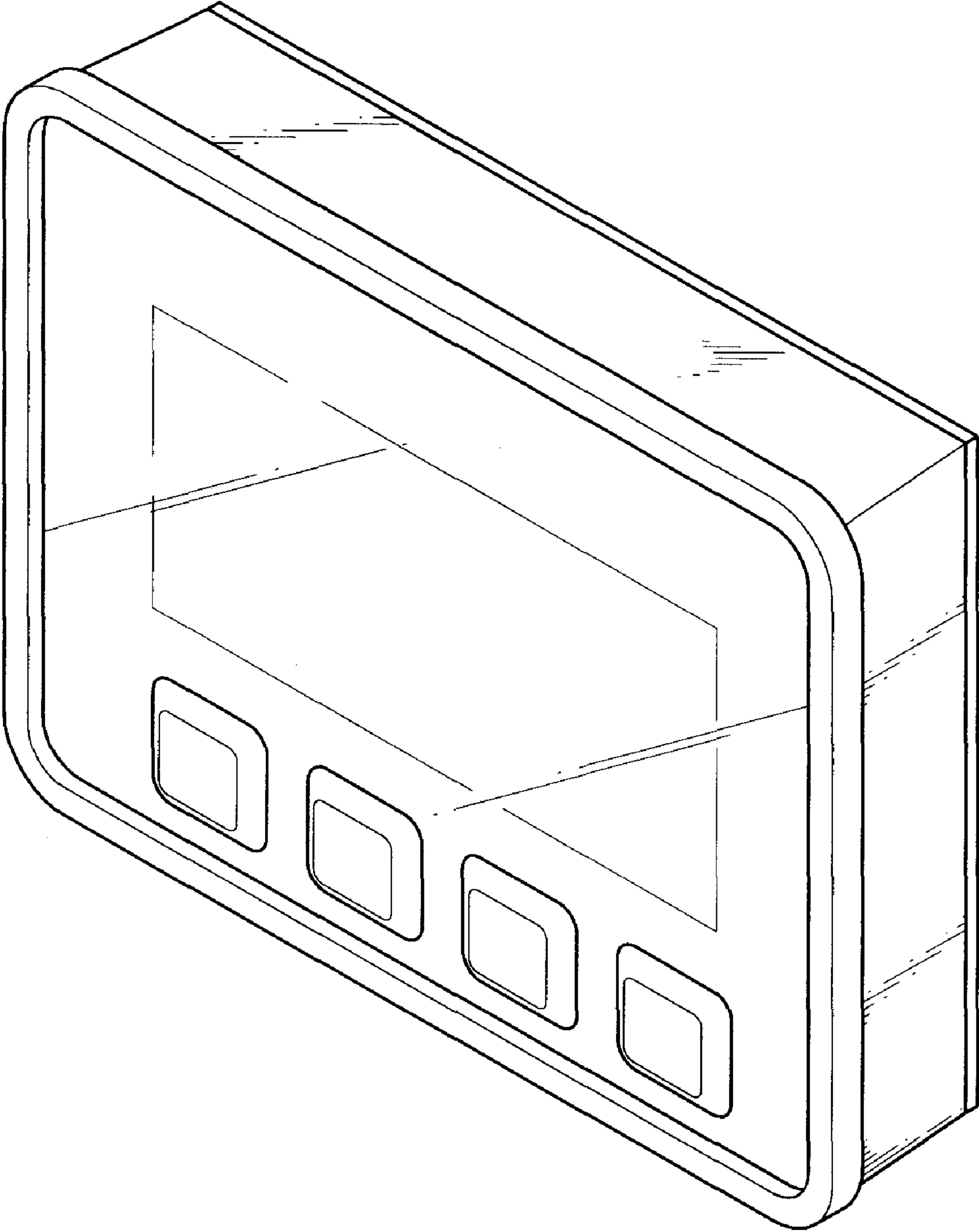


FIG. 1

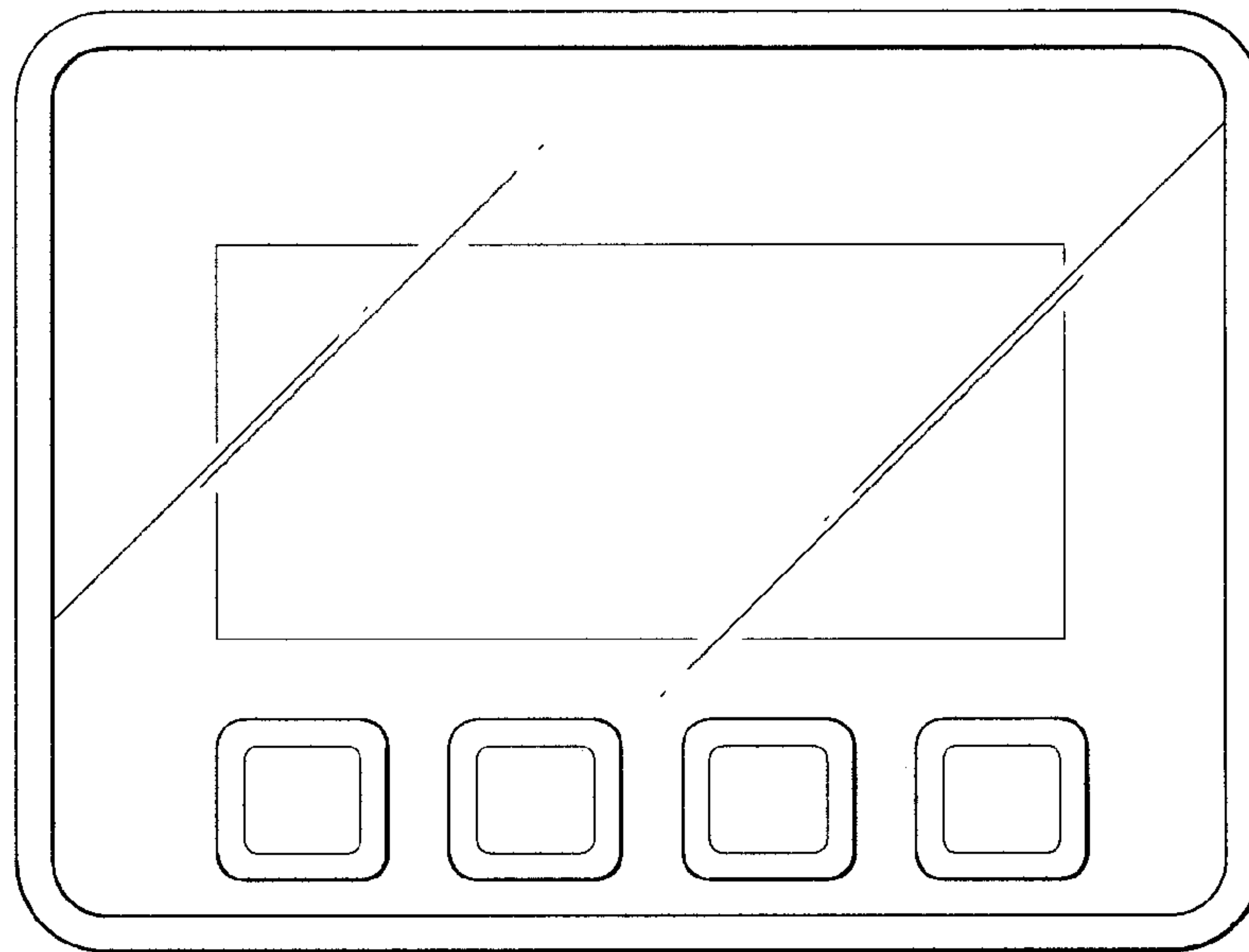


FIG. 2

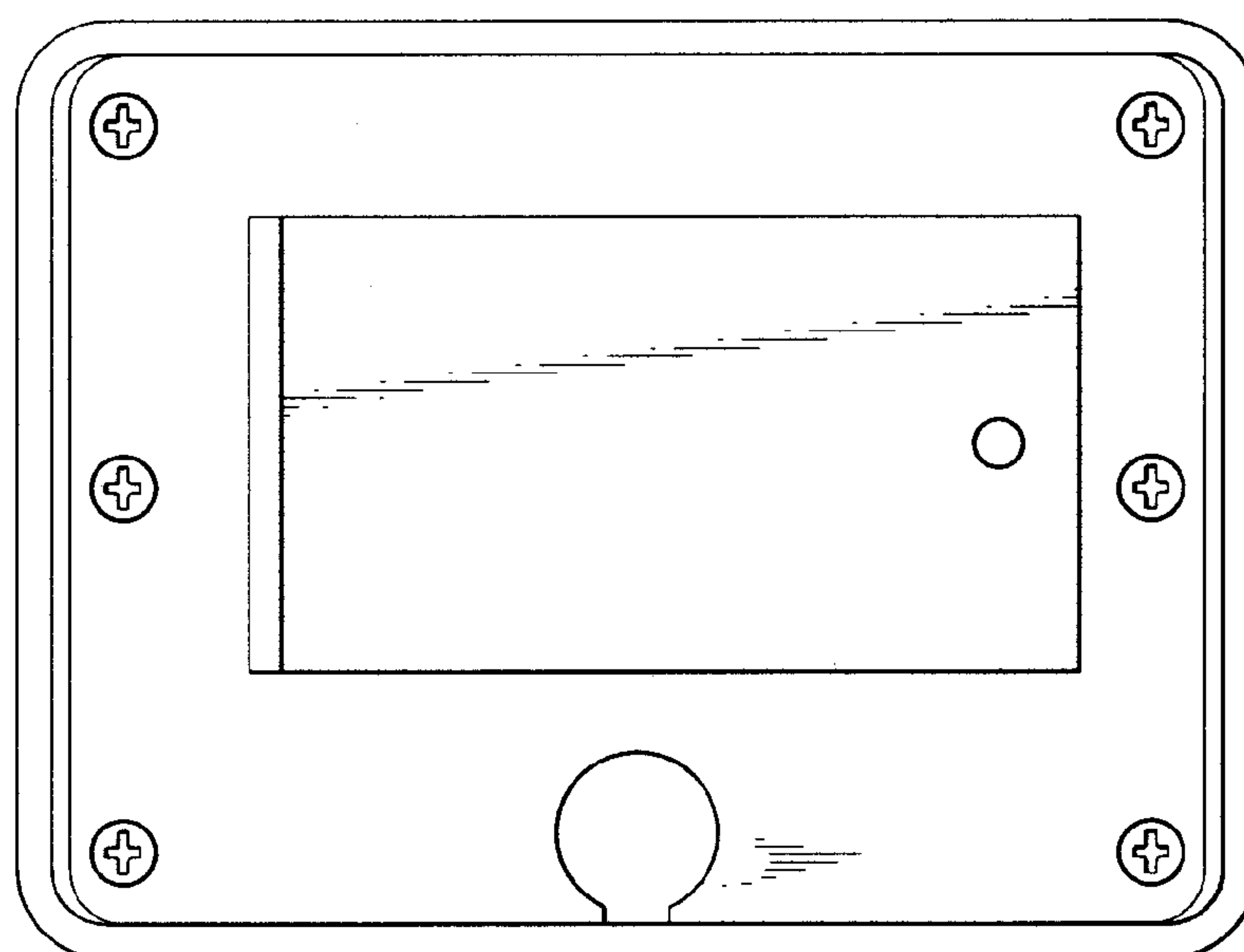


FIG. 3

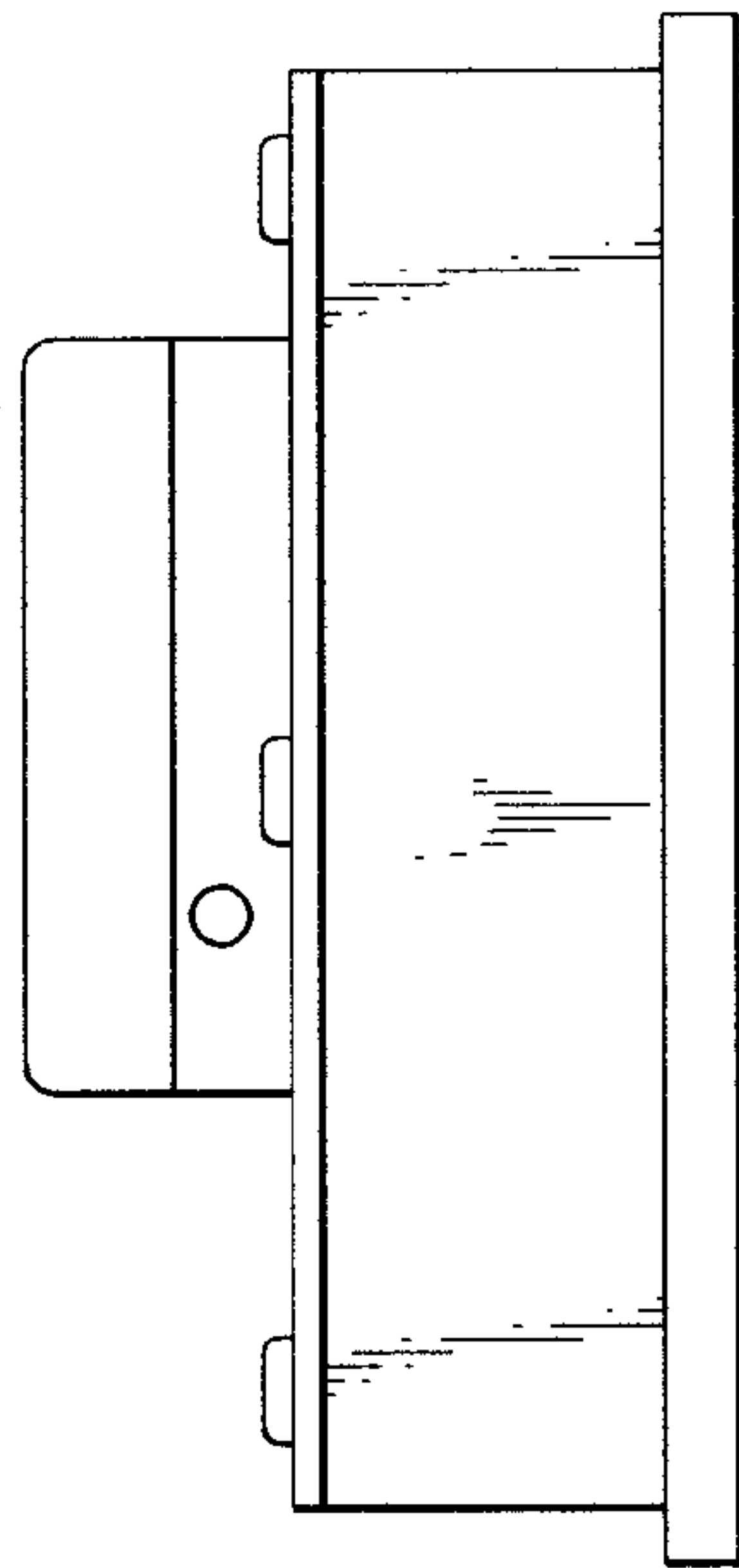


FIG. 4

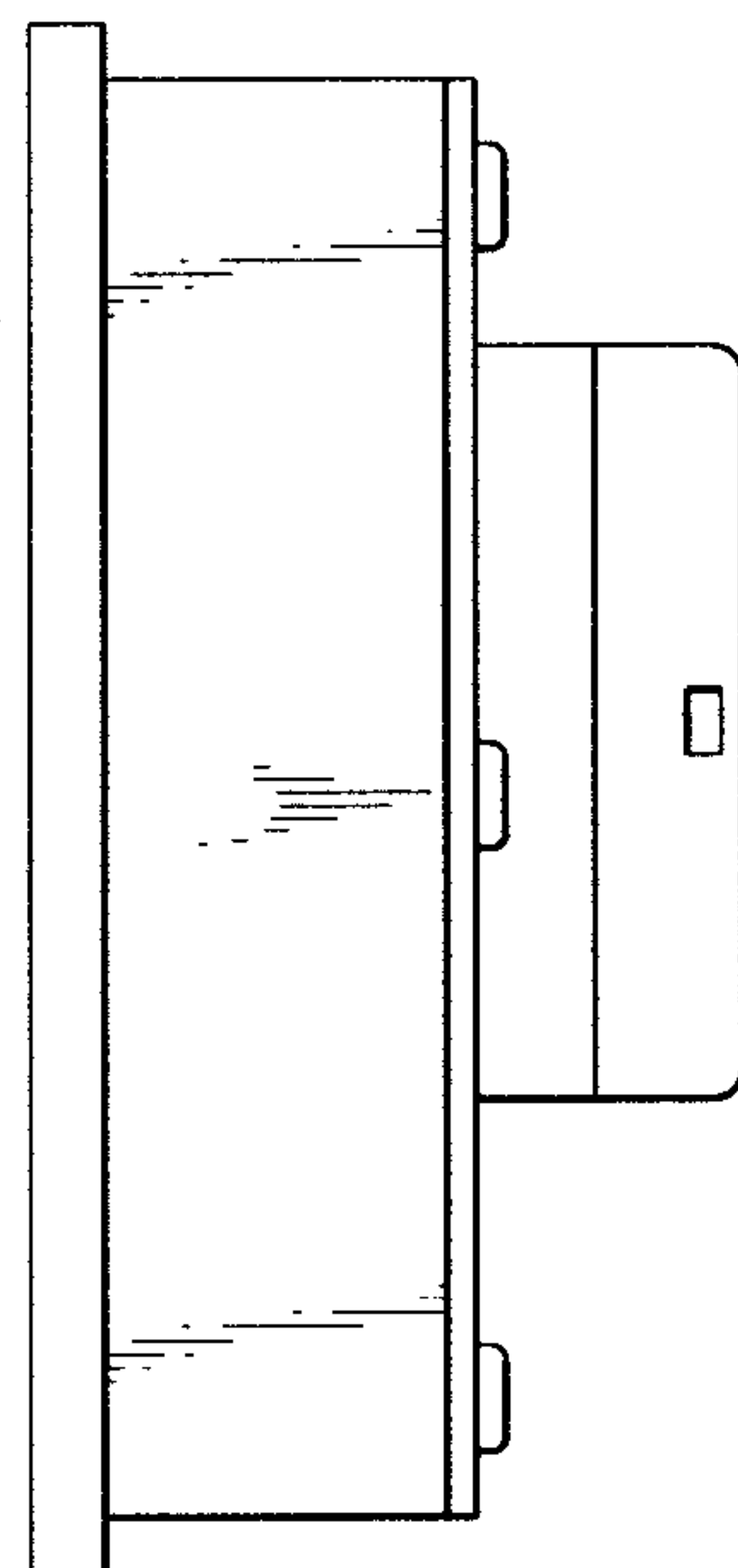


FIG. 5

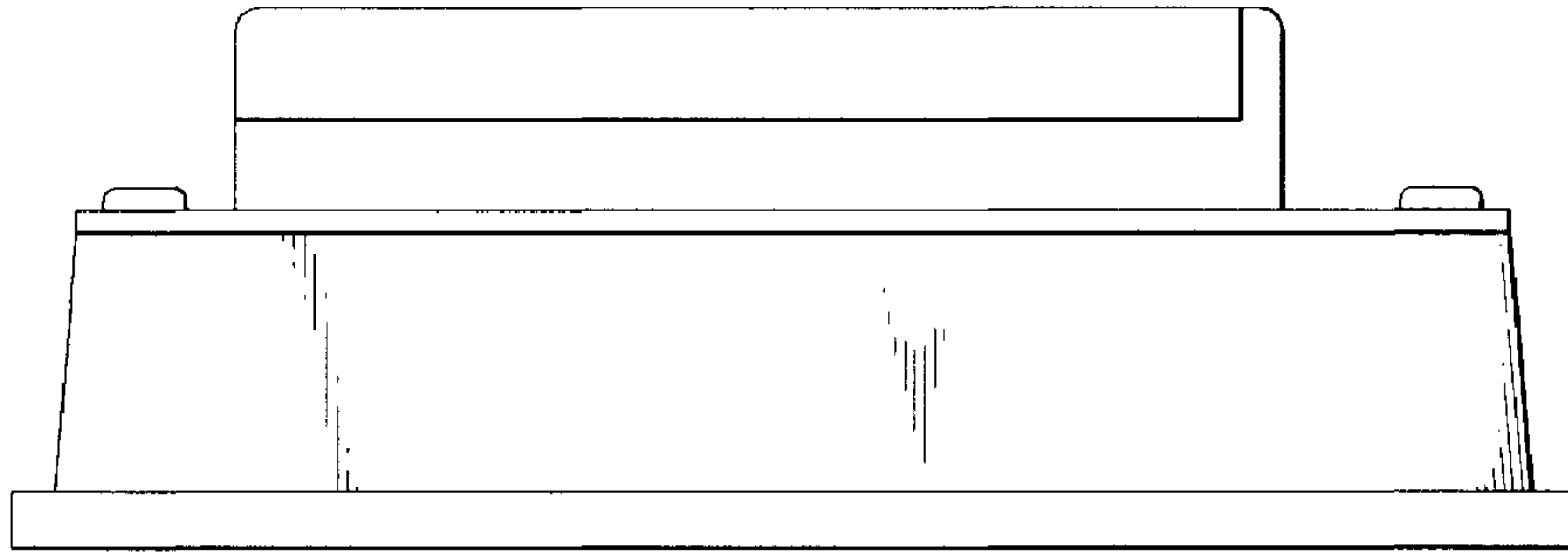


FIG. 6

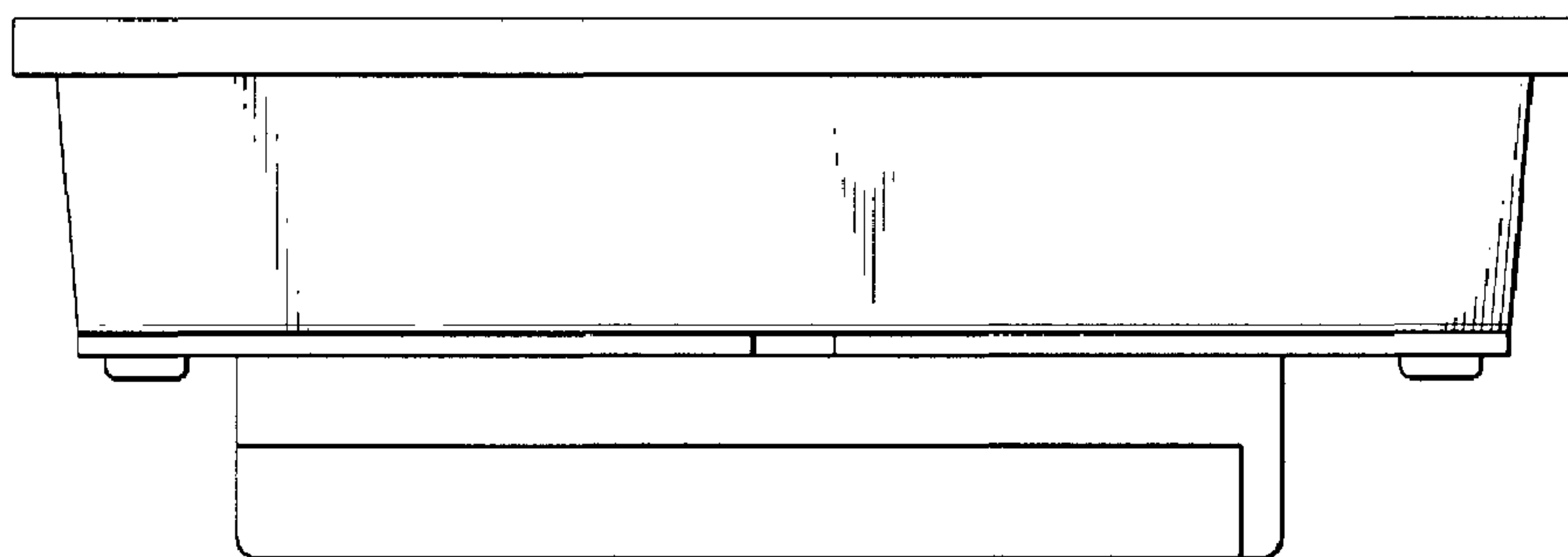


FIG. 7