



US00D562788S

(12) **United States Design Patent** (10) **Patent No.:** **US D562,788 S**
Asanuma et al. (45) **Date of Patent:** **** Feb. 26, 2008**

(54) **TELEVISION RECEIVER**
(75) Inventors: **Takashi Asanuma**, Tokyo (JP);
Masazumi Shiraki, Yokohama (JP)
(73) Assignee: **Kabushiki Kaisha Toshiba** (JP)

D541,774 S 5/2007 Kita
D541,775 S 5/2007 Kita
D542,747 S * 5/2007 Kim et al. D14/126
D543,164 S * 5/2007 Yang et al. D14/126
D545,778 S * 7/2007 Isshiki D14/126
D546,788 S * 7/2007 Isshiki D14/126

(**) Term: **14 Years**

FOREIGN PATENT DOCUMENTS

(21) Appl. No.: **29/277,602**

JP 175697 6/2000
JP 1075616 6/2000
JP D1125529 11/2001
JP 1233210 3/2005
JP 1243665 6/2005
JP D1249889 9/2005
JP 1278118 8/2006
KR 30-0416774 6/2006

(22) Filed: **Mar. 2, 2007**

(30) **Foreign Application Priority Data**

Dec. 27, 2006 (JP) 2006-035988

(51) **LOC (8) Cl.** **14-03**

* cited by examiner

(52) **U.S. Cl.** **D14/126**

Primary Examiner—Raphael Barkai

(58) **Field of Classification Search** D14/125–134,
D14/239, 371, 136, 374–377; 312/7.2; 348/836,
348/838, 180, 184, 325, 739; 341/12; 248/917–924,
248/465; 345/104, 133, 156, 168, 87, 173;
720/605, 669, 600, 655; 369/99, 197; 455/344–347
See application file for complete search history.

(74) *Attorney, Agent, or Firm*—Banner & Witcoff, Ltd.

(57) **CLAIM**

The ornamental design for a television receiver, shown and described.

(56) **References Cited**

DESCRIPTION

U.S. PATENT DOCUMENTS

D439,224 S 3/2001 Kita
D475,049 S 5/2003 Duan
D494,941 S * 8/2004 Kim D14/126
D499,386 S * 12/2004 Yang D14/126
D503,158 S * 3/2005 Asanuma et al. D14/126
D529,911 S 10/2006 Yamashiro et al.
D531,591 S * 11/2006 Takatsuki et al. D14/126
D540,277 S * 4/2007 Kim et al. D14/126
D541,237 S 4/2007 Kita
D541,240 S 4/2007 Kita
D541,766 S 5/2007 Kita
D541,772 S 5/2007 Kita

FIG. 1 is a top, front and right side perspective view of a television receiver showing our new design,
FIG. 2 is a front elevational view thereof,
FIG. 3 is a rear elevational view top plan view thereof,
FIG. 4 is a left side elevational view thereof,
FIG. 5 is a right side elevational view thereof,
FIG. 6 is a top plan view thereof; and,
FIG. 7 is a bottom plan view thereof.

1 Claim, 3 Drawing Sheets

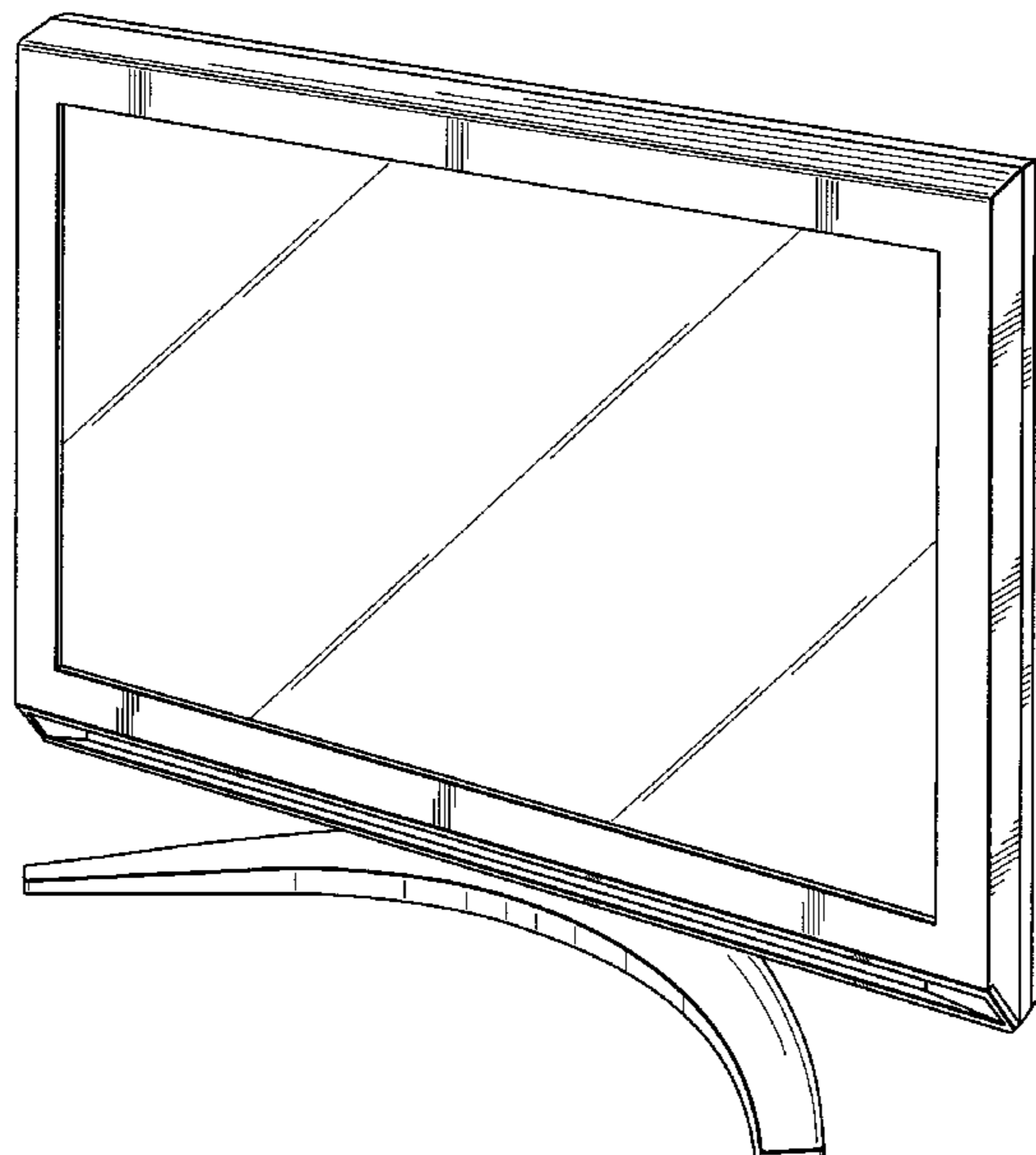


FIG. 1

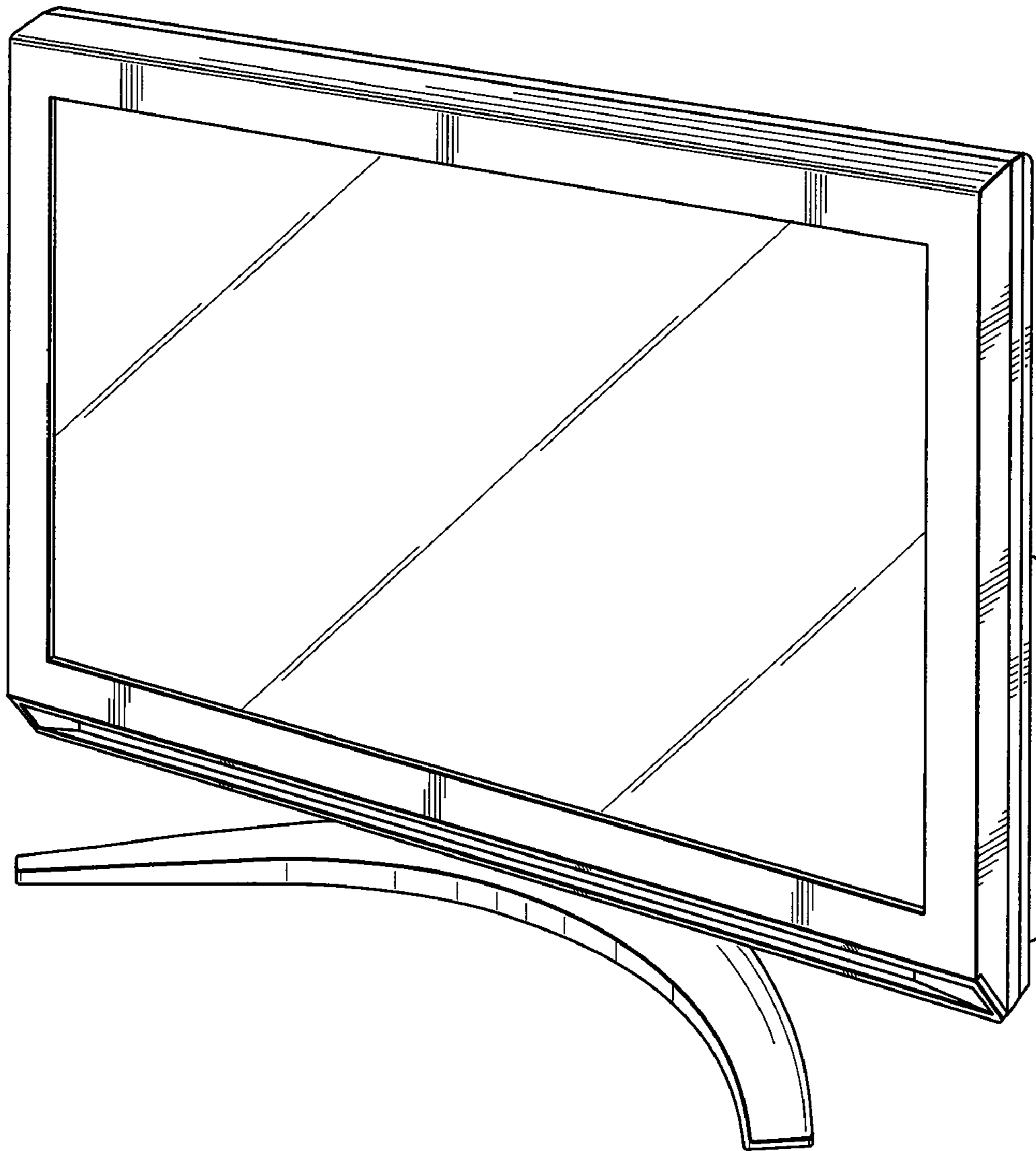


FIG. 2

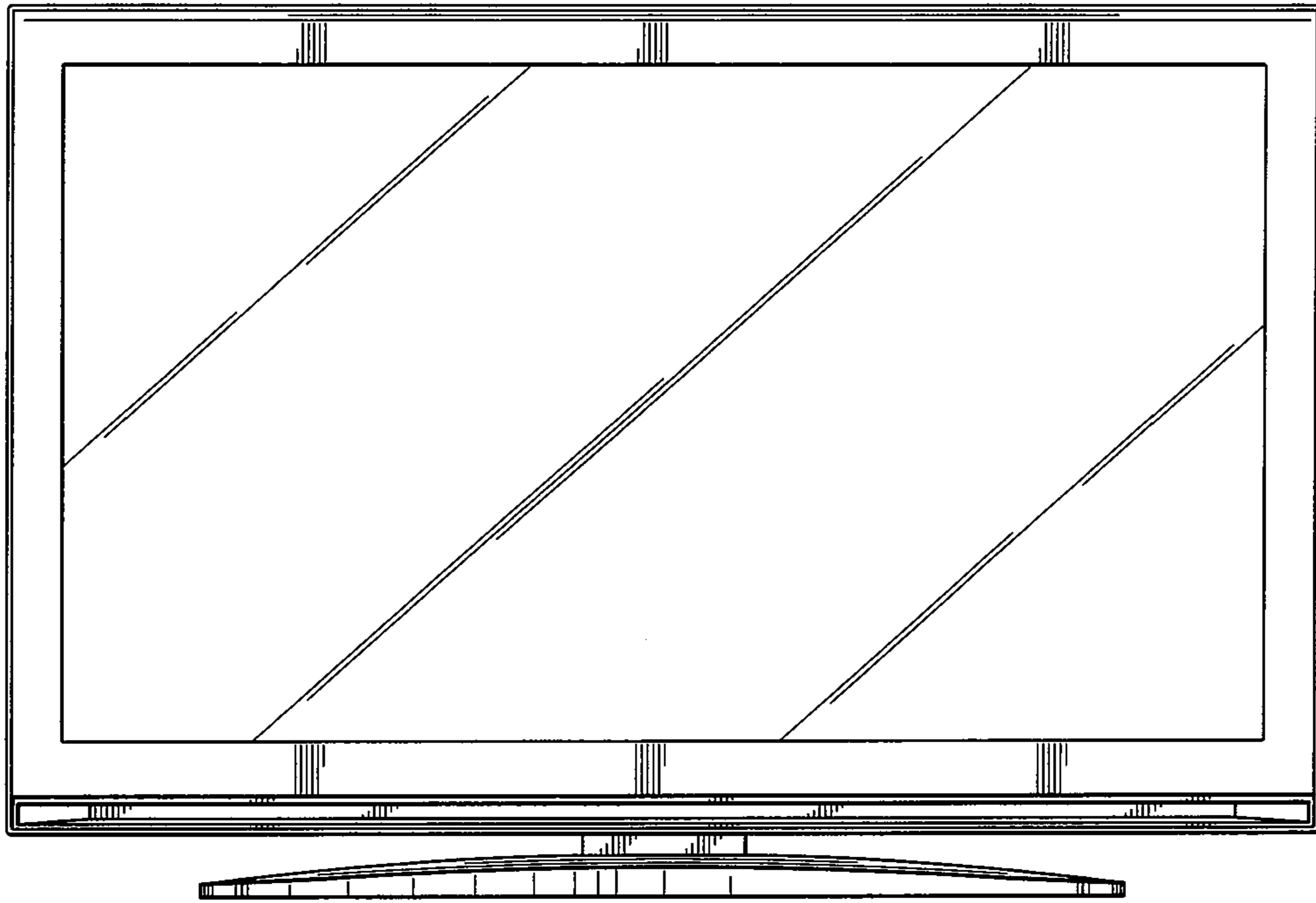


FIG. 3

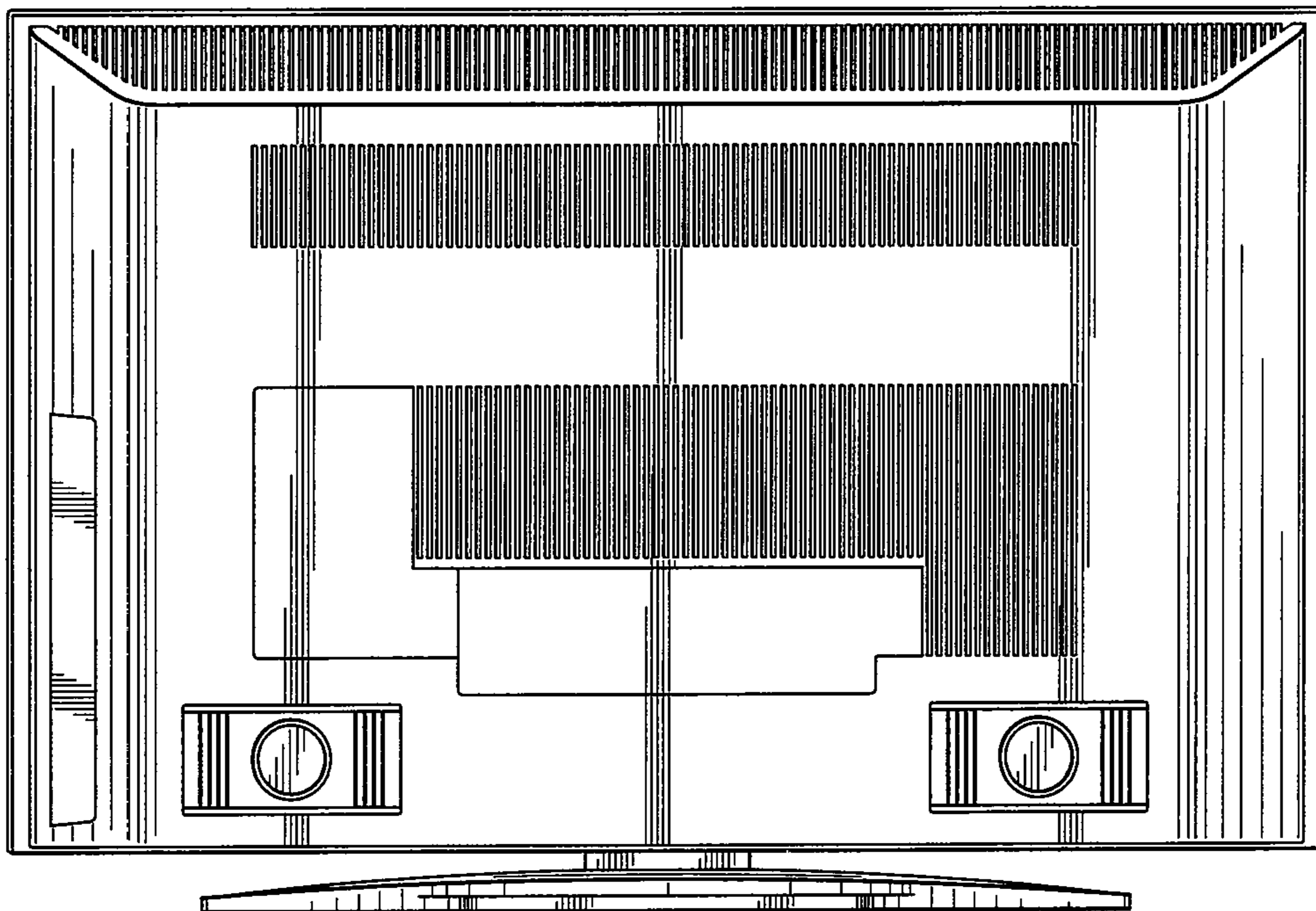


FIG. 4

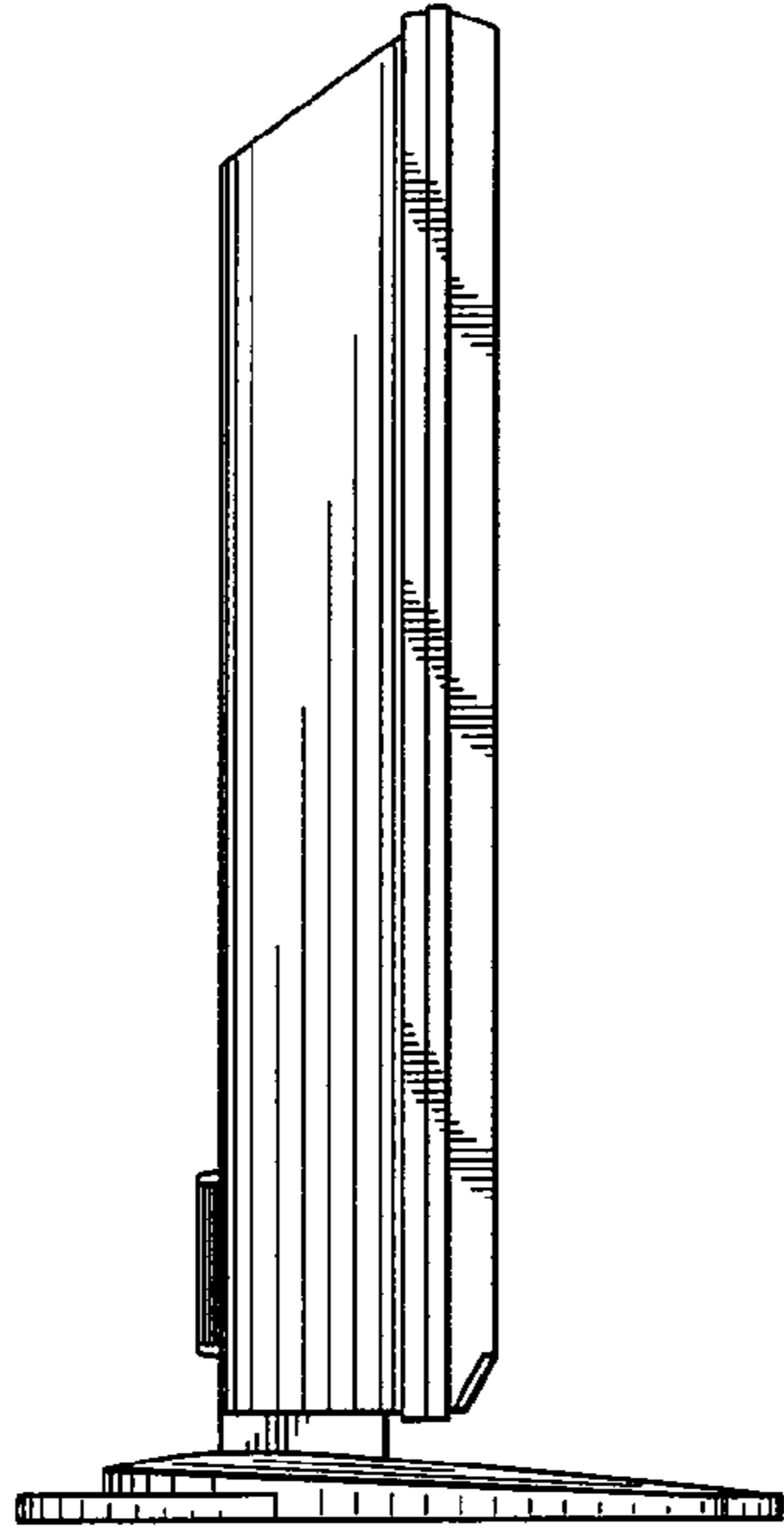


FIG. 5

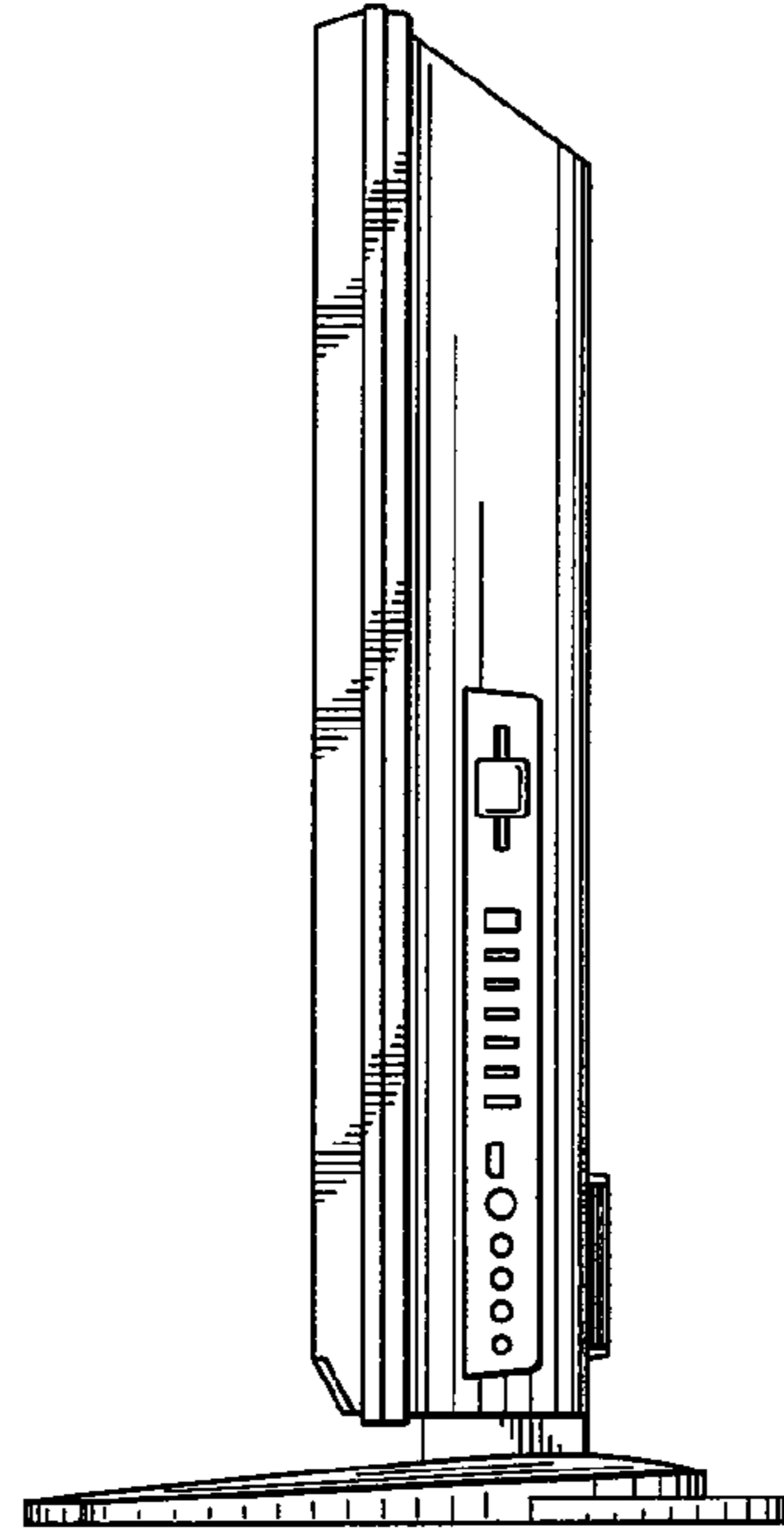


FIG. 6

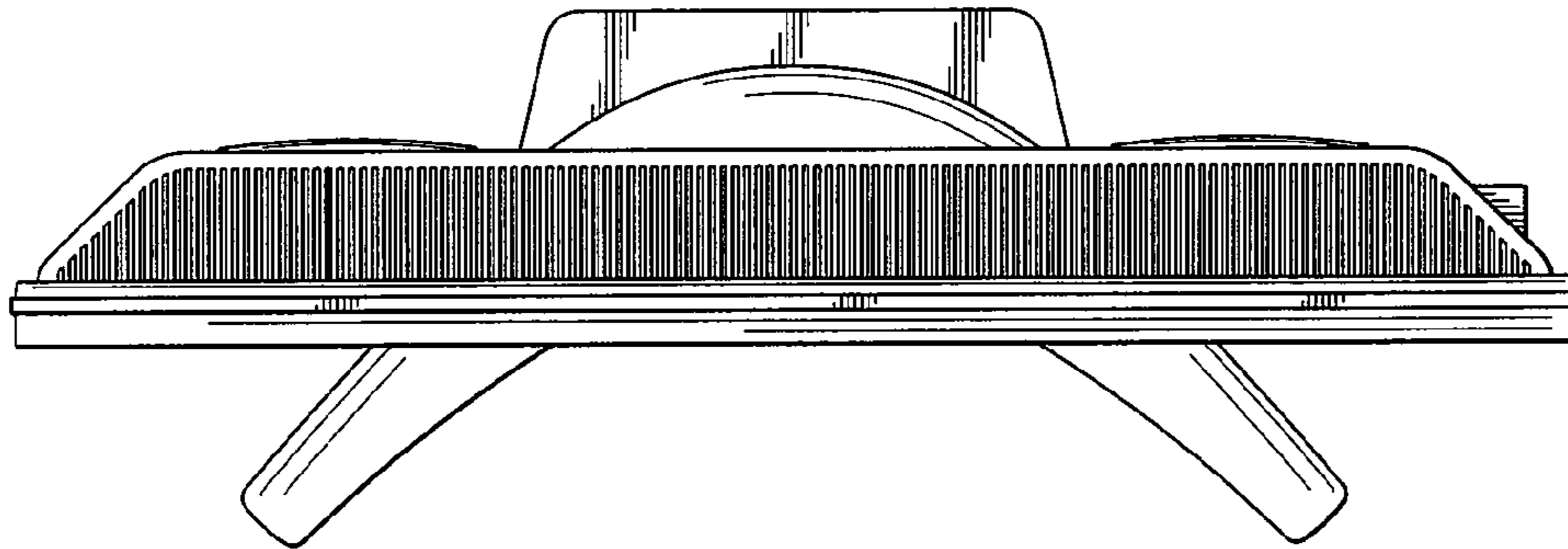


FIG. 7

