

US00D562785S

(12) **United States Design Patent**
Fujii

(10) **Patent No.:** **US D562,785 S**

(45) **Date of Patent:** **** Feb. 26, 2008**

(54) **MONITOR TELEVISION RECEIVER**

(75) Inventor: **Hiroya Fujii**, Tokyo (JP)

(73) Assignee: **Sony Corporation**, Tokyo (JP)

(**) Term: **14 Years**

(21) Appl. No.: **29/265,266**

(22) Filed: **Aug. 29, 2006**

(30) **Foreign Application Priority Data**

Mar. 31, 2006 (JP) 2006-008347

(51) **LOC (8) Cl.** **14-03**

(52) **U.S. Cl.** **D14/126**

(58) **Field of Classification Search** D14/125-134,
D14/239, 371, 136, 374-377; 312/7.2; 348/836,
348/838, 180, 184, 325, 739; 341/12; 248/917-924,
248/465; 345/104, 133, 156, 168, 87, 173;
720/605, 669, 600, 655; 369/99, 197; 455/344-347
See application file for complete search history.

(56) **References Cited**

U.S. PATENT DOCUMENTS

D407,074 S *	3/1999	Lee	D14/375
D463,440 S	9/2002	Oba		
D467,920 S *	12/2002	Chen et al.	D14/375
D474,162 S	5/2003	Kubota		
D475,687 S	6/2003	Goto		
D487,731 S *	3/2004	Takami et al.	D14/126
D491,901 S *	6/2004	Chin et al.	D14/134
D501,451 S	2/2005	Harata		
D529,005 S *	9/2006	Hong	D14/126

D529,010 S *	9/2006	Imboden	D14/126
D530,686 S *	10/2006	Reza	D14/126
D535,953 S *	1/2007	Fujii	D14/126
D543,963 S *	6/2007	Chu	D14/126
D544,456 S *	6/2007	Bloem	D14/126

OTHER PUBLICATIONS

U.S. Appl. No. 29/262,307, filed Jun. 30, 2006.

* cited by examiner

Primary Examiner—Raphael Barkai

(74) *Attorney, Agent, or Firm*—Rader, Fishman & Grauer, PLLC

(57) **CLAIM**

The ornamental design for a monitor television receiver, as shown and described.

DESCRIPTION

FIG. 1 is a perspective view of a monitor television receiver showing my new design;

FIG. 2 is a front elevational view thereof;

FIG. 3 is a rear elevational view thereof;

FIG. 4 is a left side elevational view thereof;

FIG. 5 is a right side elevational view thereof;

FIG. 6 is a top plan view thereof; and,

FIG. 7 is a bottom plan view thereof.

Portions of FIGS. 1-7 that are shown as broken lines are for illustrative purpose only and form no part of the claimed design.

1 Claim, 7 Drawing Sheets

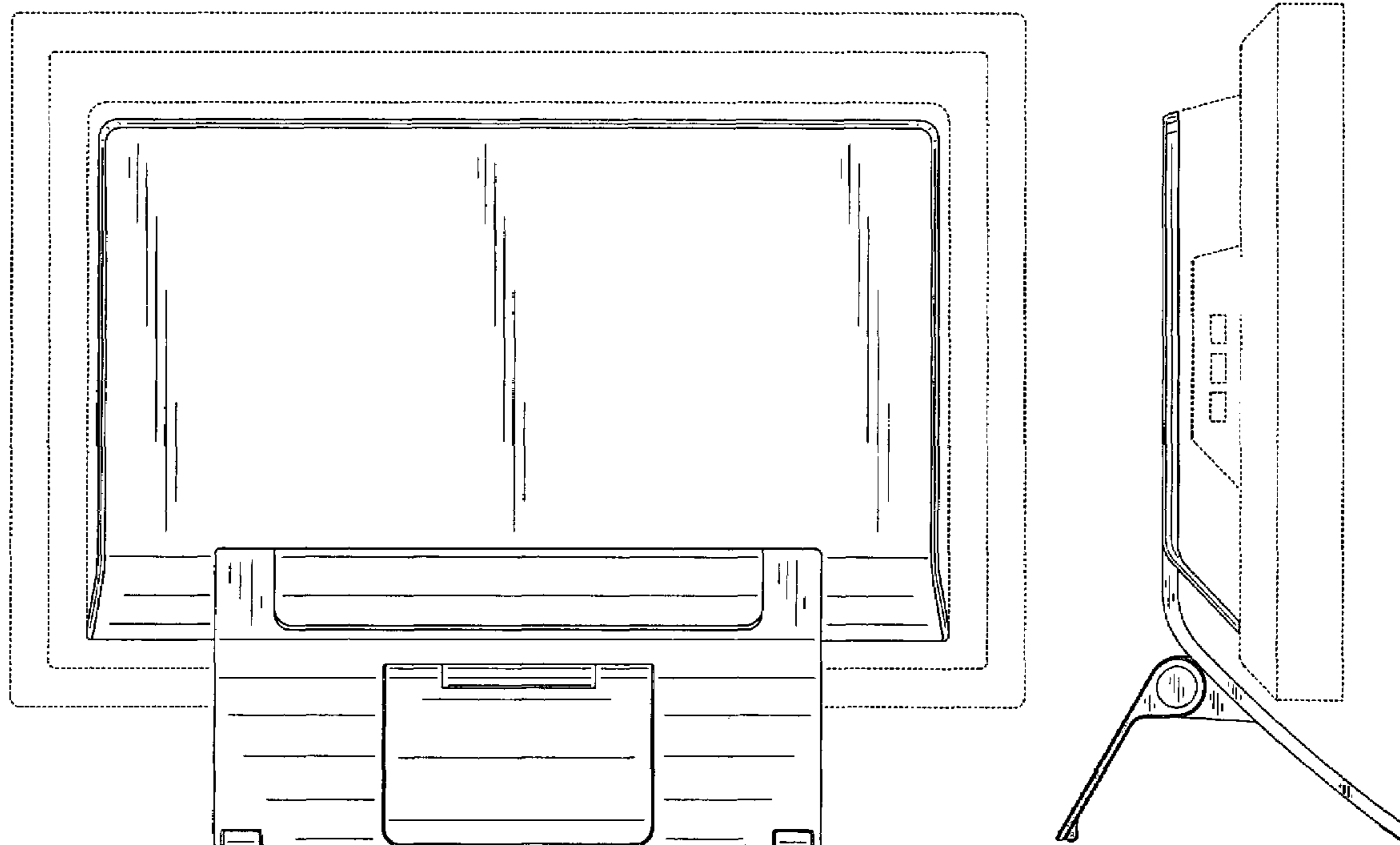


Fig.1

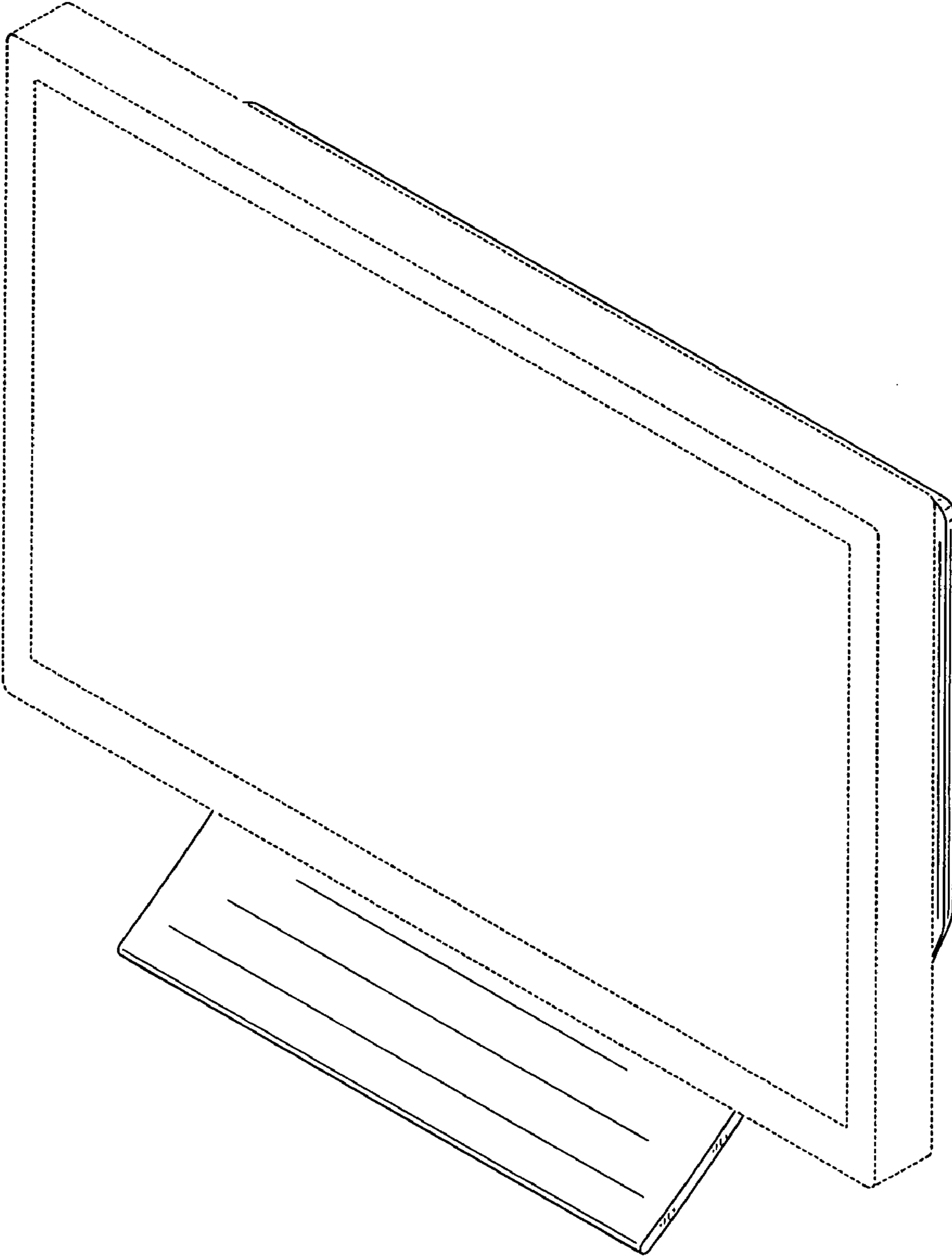


Fig.2

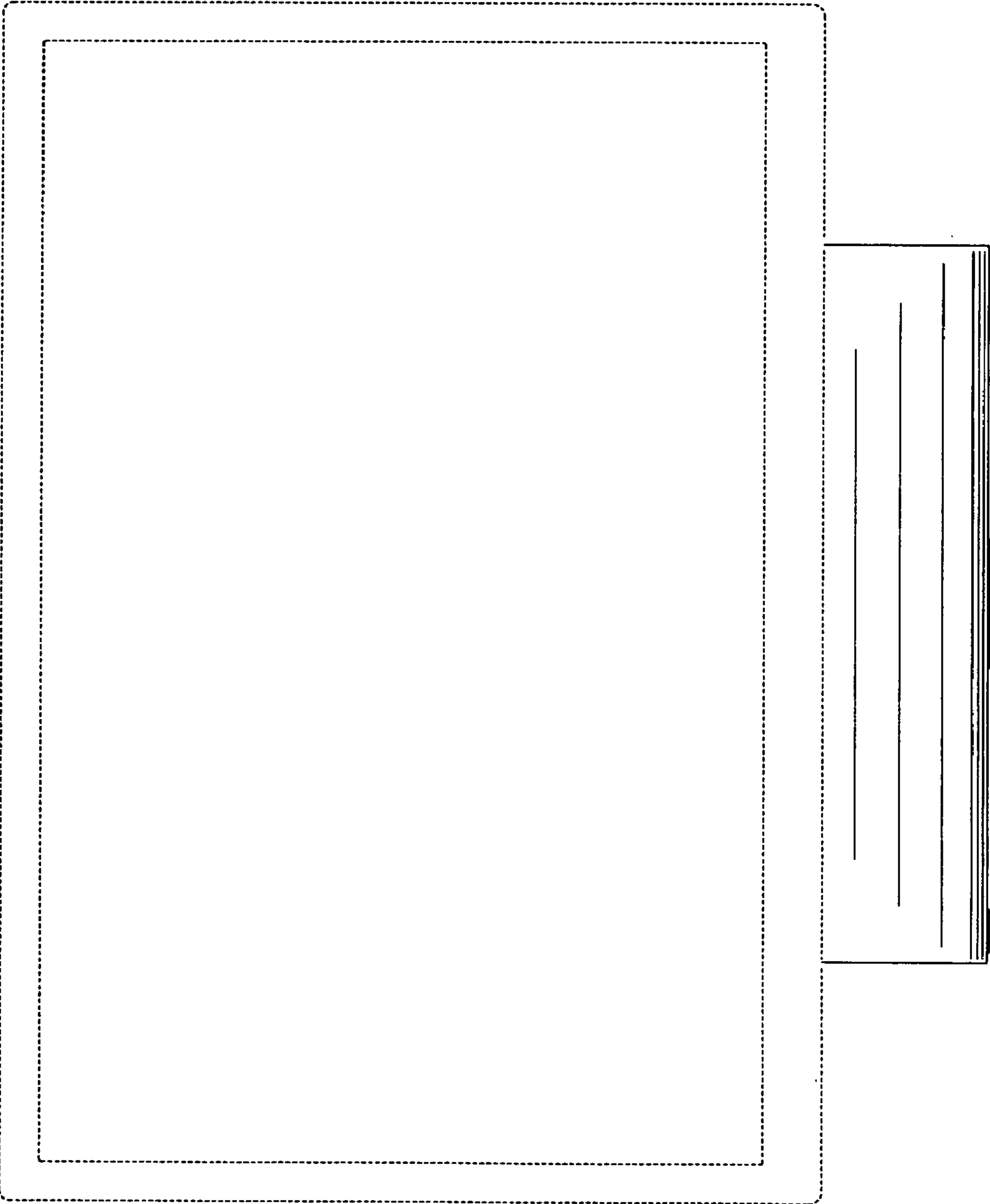


Fig.3

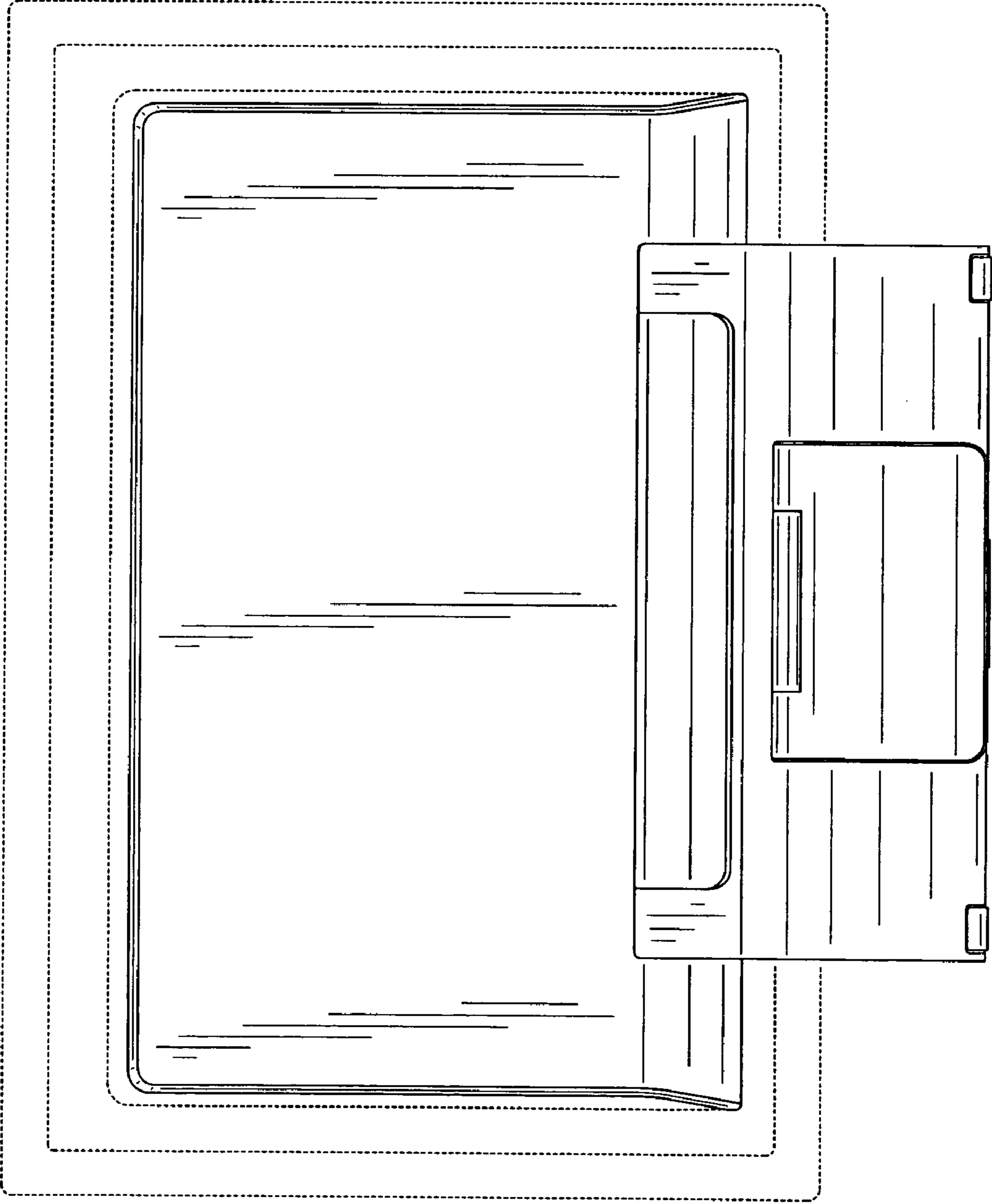


Fig.4

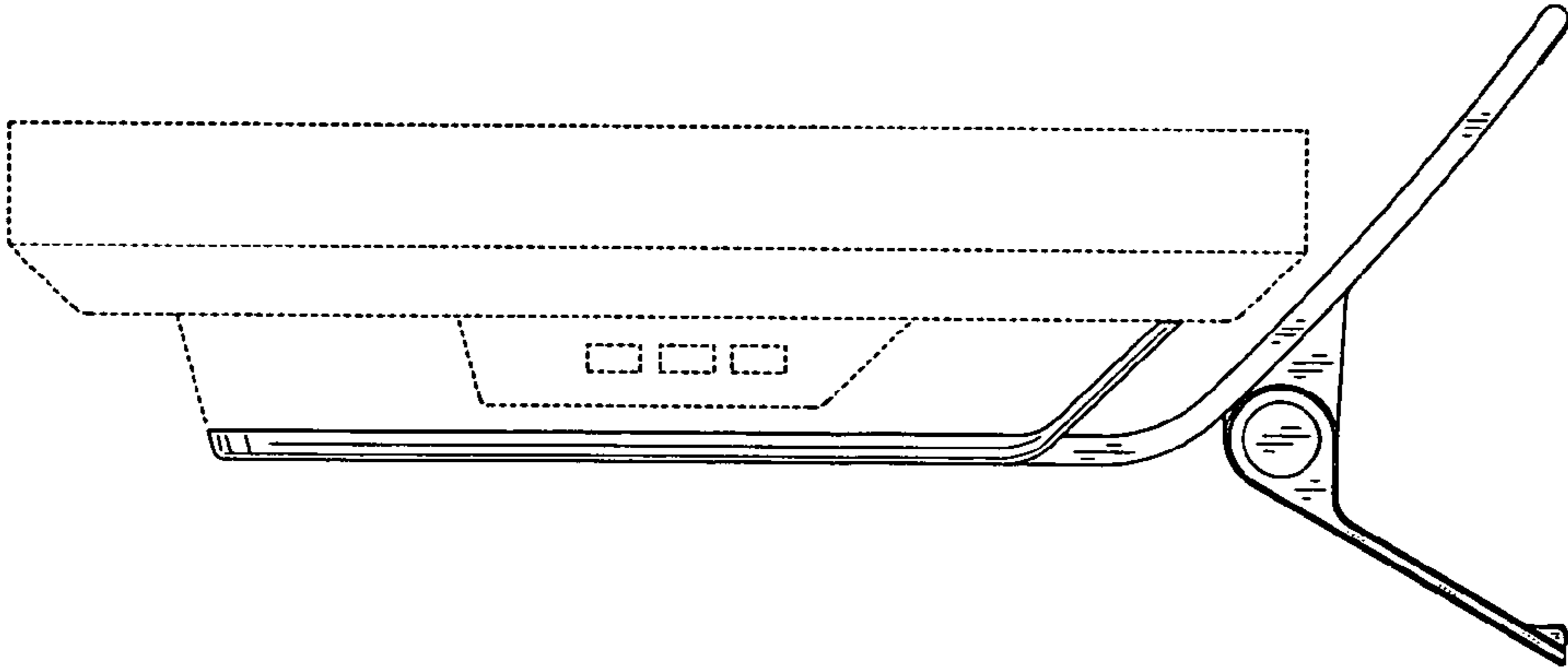


Fig.5

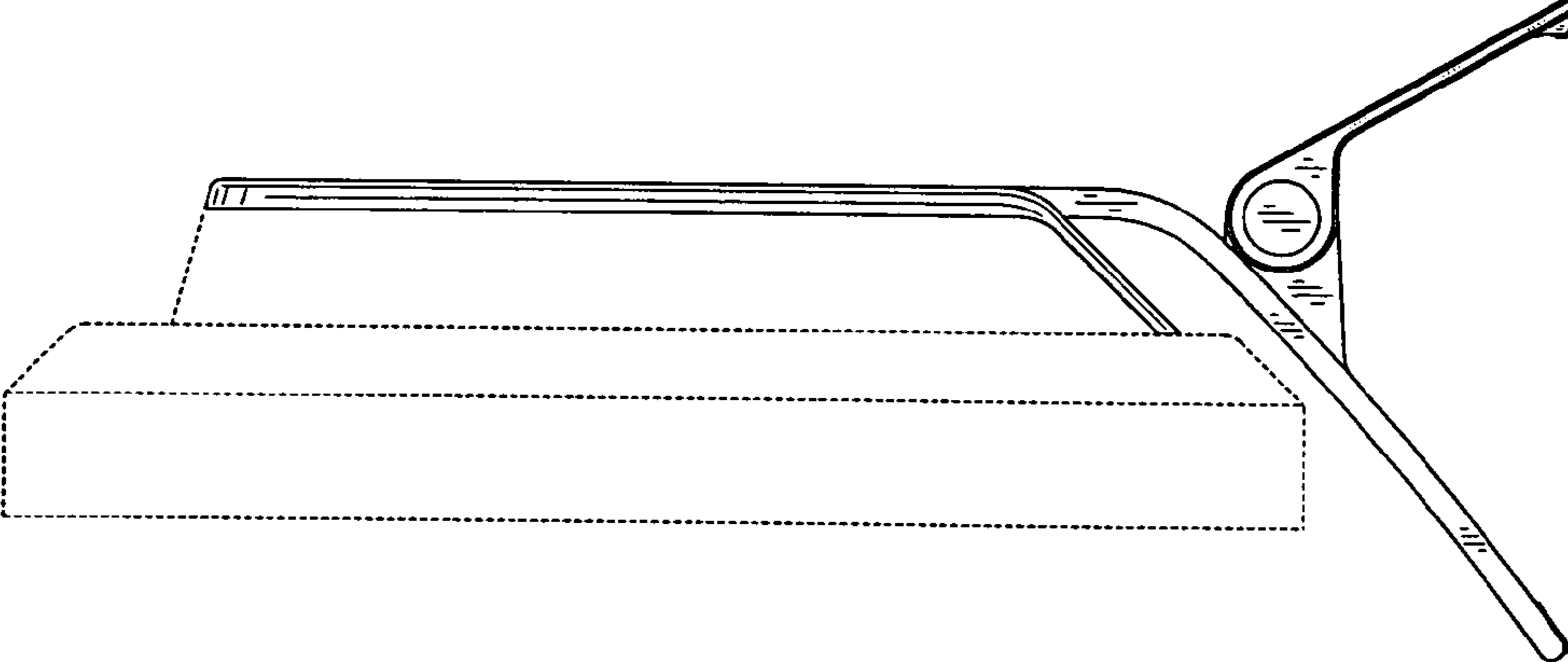


Fig.6

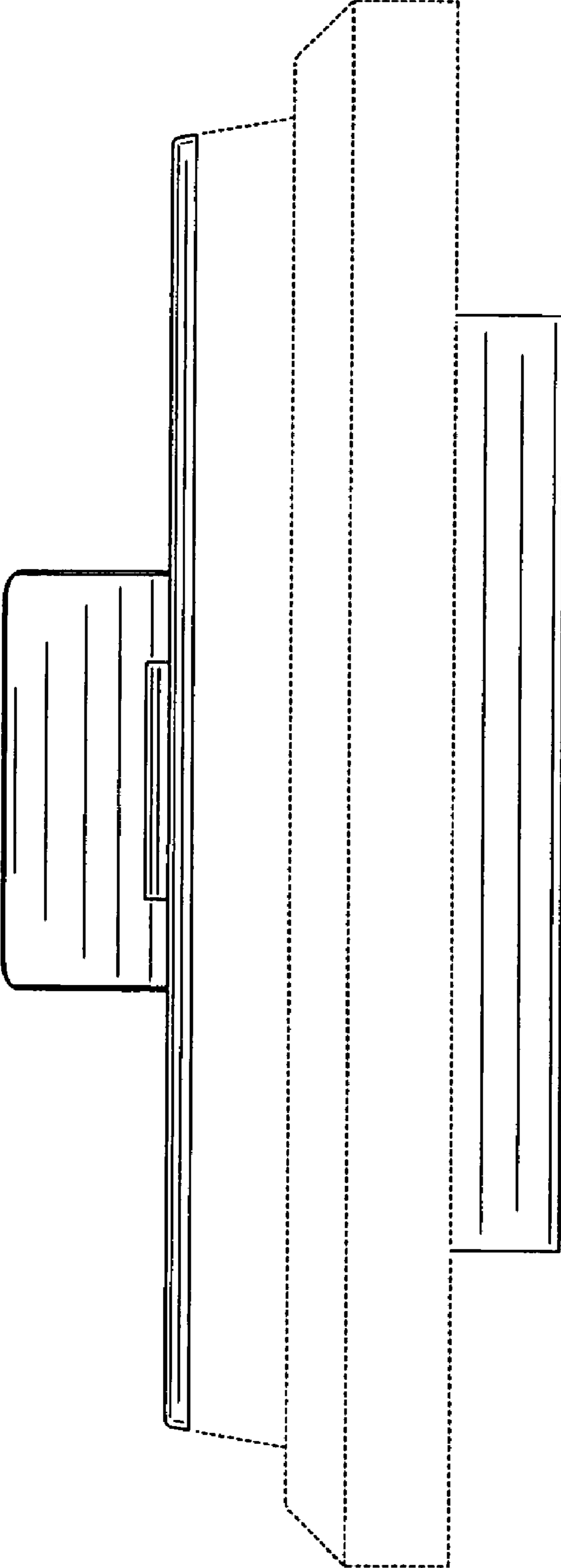


Fig. 7

