



US00D562784S

(12) **United States Design Patent**  
**Asanuma et al.**

(10) **Patent No.:** **US D562,784 S**  
(45) **Date of Patent:** **\*\* Feb. 26, 2008**

(54) **TELEVISION SET**

(75) Inventors: **Takashi Asanuma**, Tokyo (JP); **Hideki Tsuboi**, Koganei (JP); **Tatsuya Honda**, Yokohama (JP)

(73) Assignee: **Kabushiki Kaisha Toshiba** (JP)

(\*\*) Term: **14 Years**

(21) Appl. No.: **29/243,306**

(22) Filed: **Nov. 23, 2005**

(30) **Foreign Application Priority Data**

Sep. 30, 2005 (JP) ..... 2005-028567

(51) **LOC (8) Cl.** ..... **14-03**

(52) **U.S. Cl.** ..... **D14/126**

(58) **Field of Classification Search** ..... D14/125-134, D14/239, 371, 136, 374-377; 312/7.2; 348/836, 348/838, 180, 184, 325, 739; 341/12; 248/917-924, 248/465; 345/104, 133, 156, 168, 87, 173; 720/605, 669, 600, 655; 369/99, 197; 455/344-347  
See application file for complete search history.

(56) **References Cited**

**U.S. PATENT DOCUMENTS**

D413,586 S	9/1999	Kondo	
D425,035 S	5/2000	Kondo et al.	
D457,864 S *	5/2002	Bong et al.	D14/126
D458,238 S *	6/2002	Niitsu	D14/126
D460,056 S *	7/2002	Niitsu	D14/126
D460,426 S	7/2002	Sugiyama et al.	
D471,883 S	3/2003	Sugiyama et al.	
D474,163 S	5/2003	Araki	
D474,454 S	5/2003	Izu et al.	
D489,340 S	5/2004	Honda	
D491,540 S	6/2004	Honda	
D497,146 S	10/2004	Asanuma et al.	
D497,147 S	10/2004	Izu et al.	

D497,352 S	10/2004	Asanuma et al.	
D499,386 S *	12/2004	Yang	D14/126
D503,158 S	3/2005	Asanuma et al.	
D505,405 S	5/2005	Honda et al.	
D510,567 S	10/2005	Honda	
D510,730 S	10/2005	Asanuma et al.	
D533,519 S *	12/2006	Ellison	D14/126

**FOREIGN PATENT DOCUMENTS**

JP	1007921	4/1998
JP	1065345	3/2000
JP	1203951	4/2004
JP	1215197	8/2004
JP	1225615	12/2004
JP	1225616	12/2004
KR	30-0334262	10/2003
KR	30-0352441	5/2004
TW	584462	4/2004

\* cited by examiner

*Primary Examiner*—Raphael Barkai  
(74) *Attorney, Agent, or Firm*—Banner & Witcoff, Ltd.

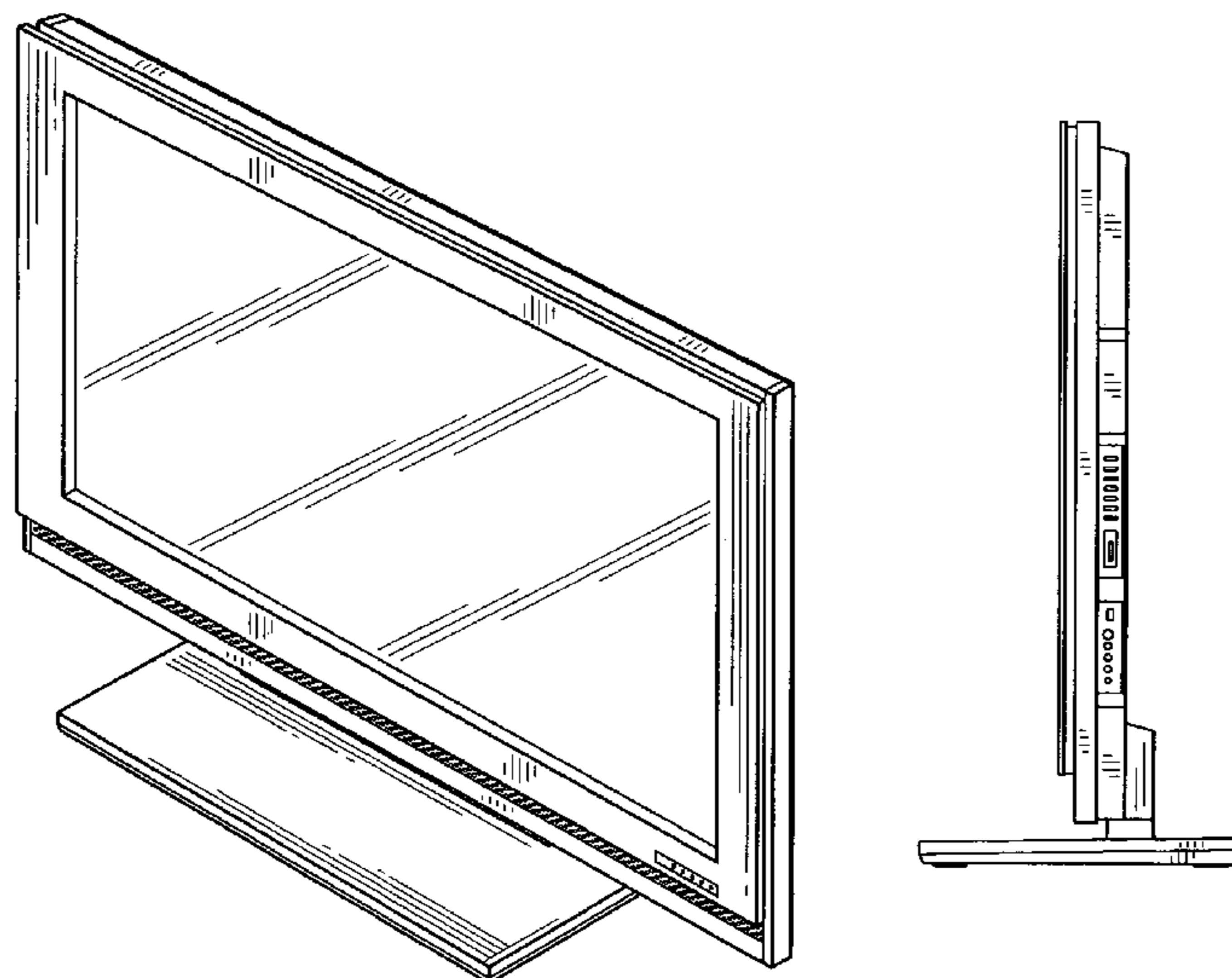
(57) **CLAIM**

The ornamental design for a television set, as shown and described.

**DESCRIPTION**

FIG. 1 is a front, top and right side perspective view of a television set, showing our new design;  
FIG. 2 is a front elevational view thereof;  
FIG. 3 is a rear elevational view thereof;  
FIG. 4 is a top plan view thereof;  
FIG. 5 is a bottom plan view thereof;  
FIG. 6 is a left side elevational view thereof; and,  
FIG. 7 is a right side elevational view thereof.

**1 Claim, 5 Drawing Sheets**



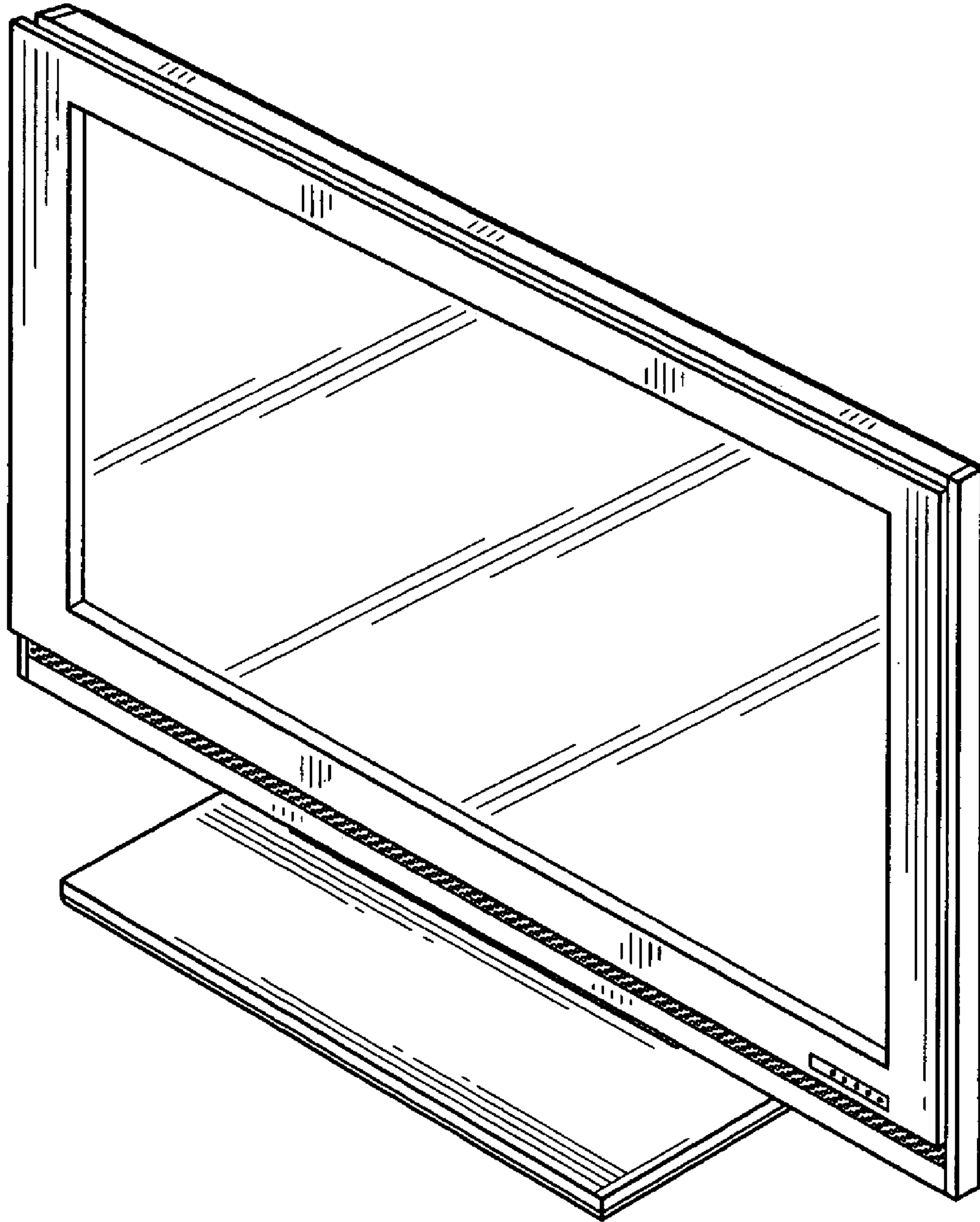


FIG.1

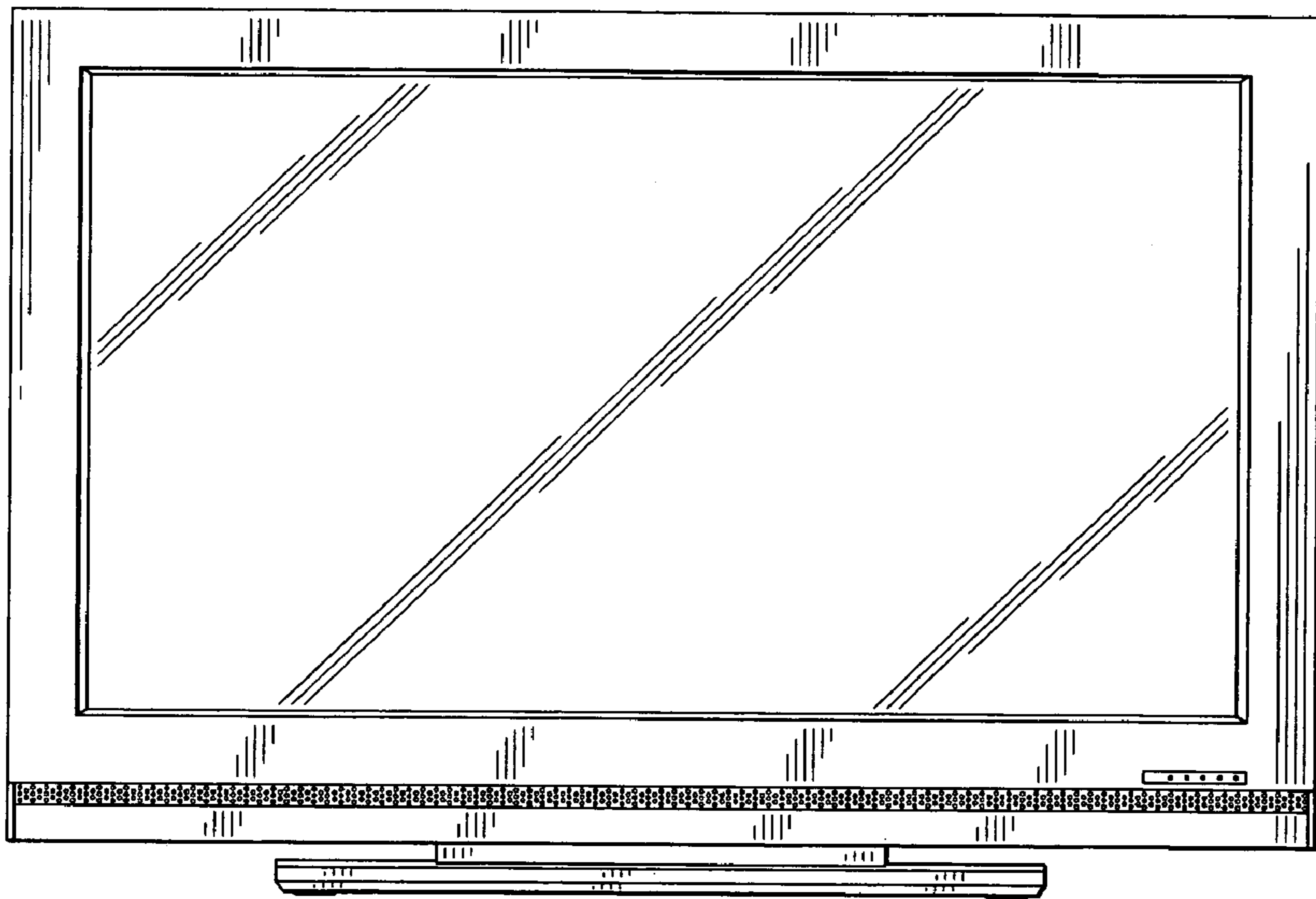


FIG.2

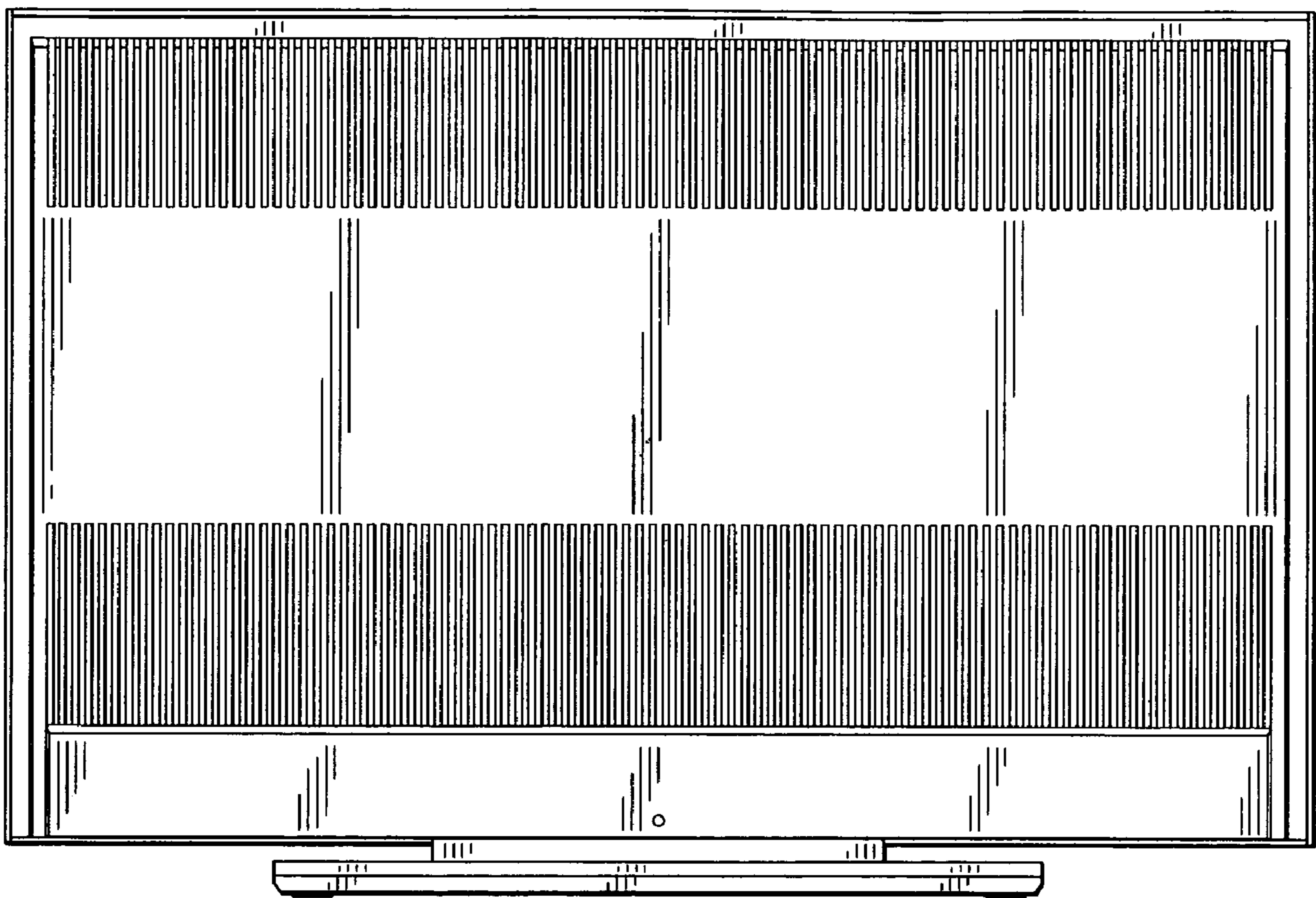


FIG. 3

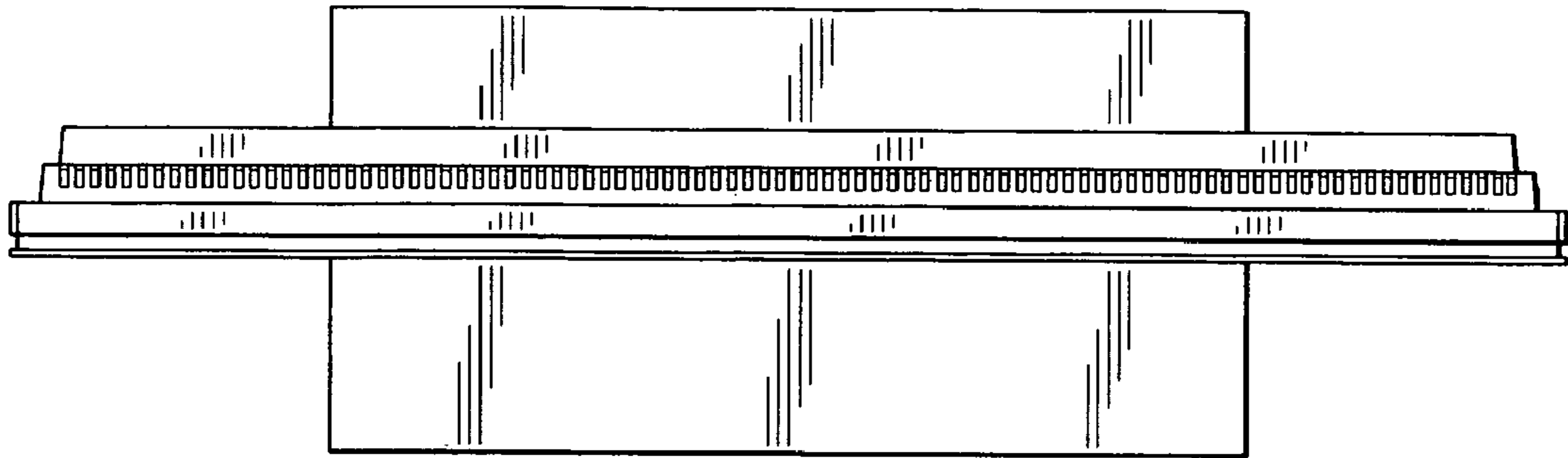


FIG. 4

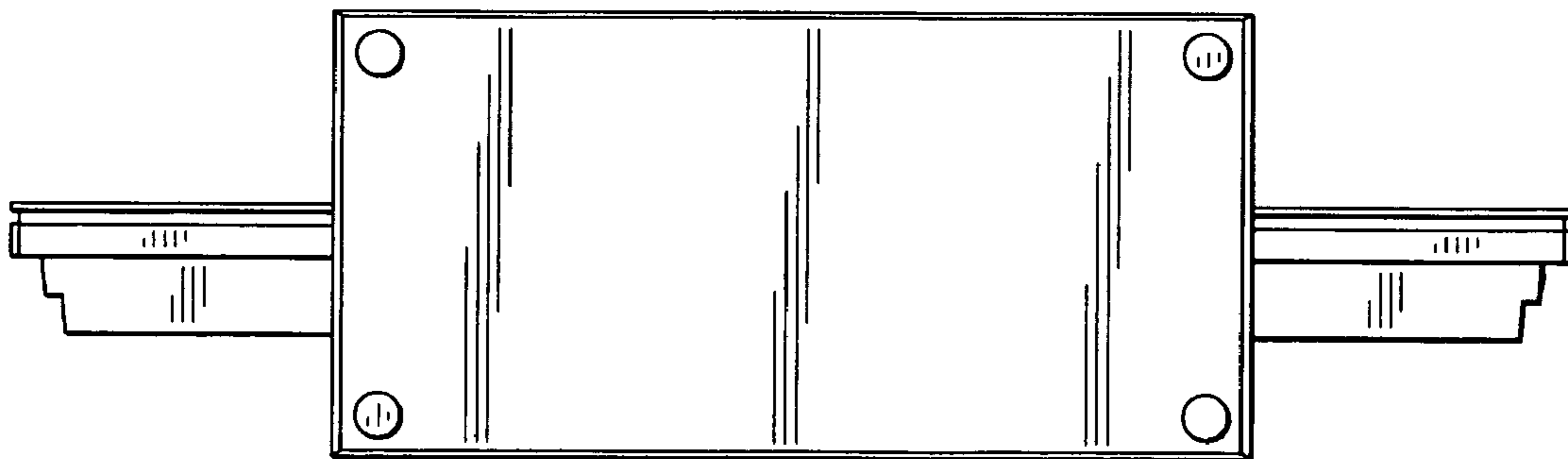


FIG. 5

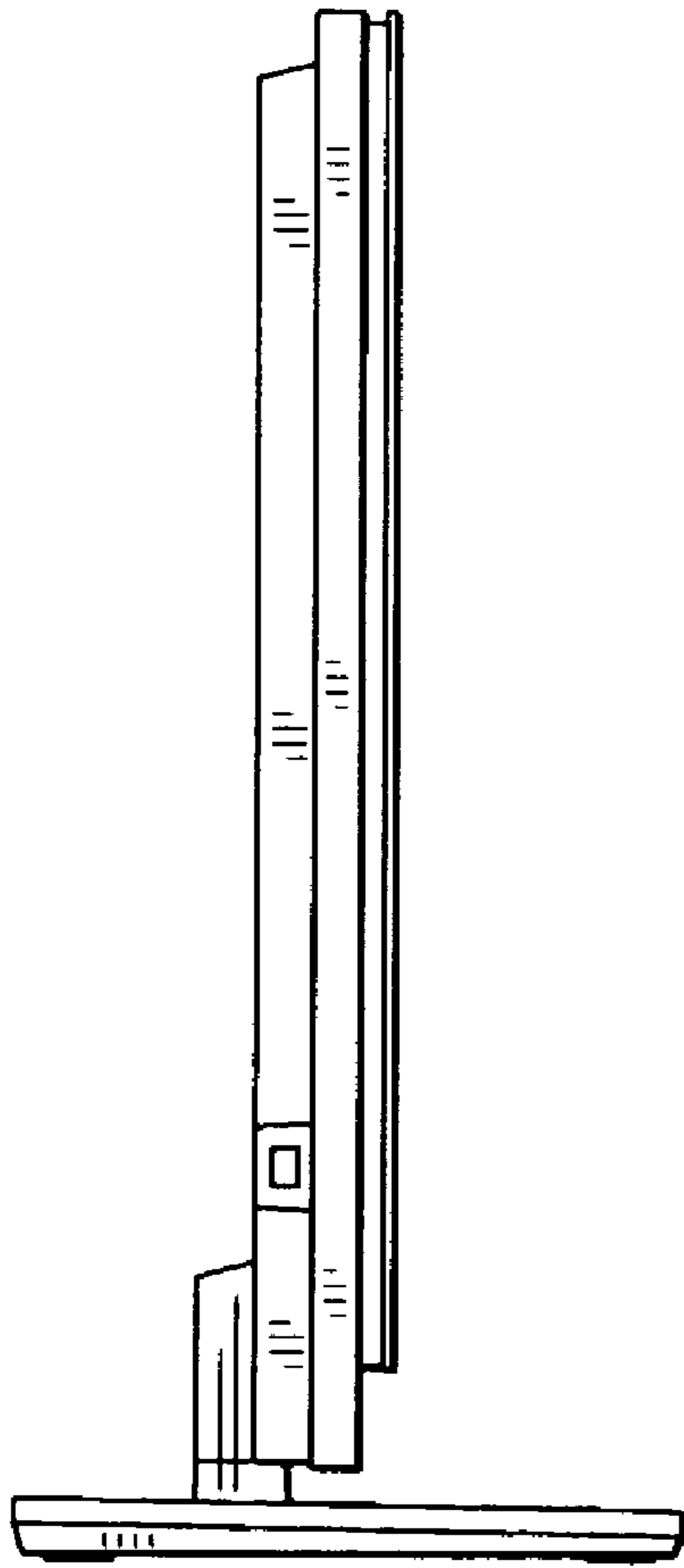


FIG. 6

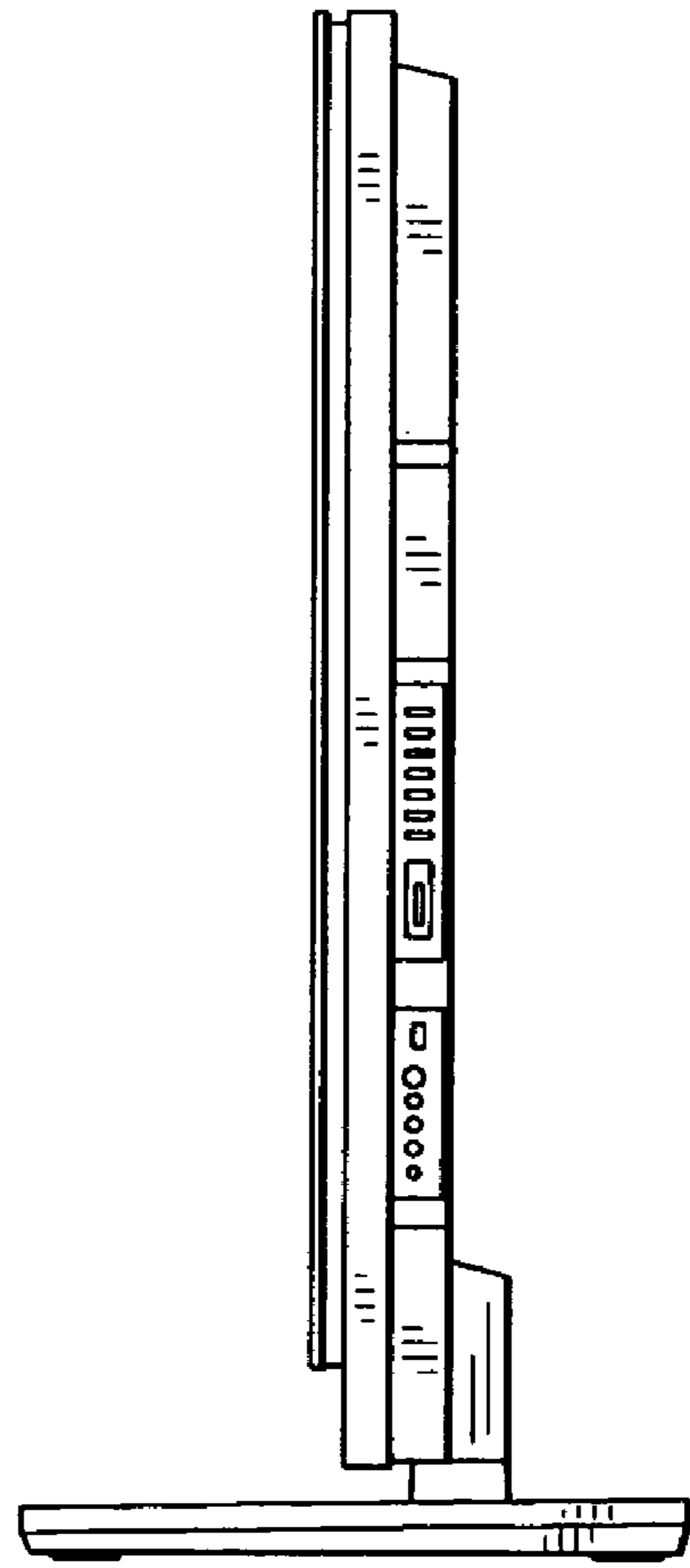


FIG. 7