

US00D562783S

(12) **United States Design Patent**  
**Su et al.**

(10) **Patent No.:** **US D562,783 S**

(45) **Date of Patent:** **\*\* Feb. 26, 2008**

(54) **LIGHT EMITTING DIODE (LED)**

(75) Inventors: **Wen-Lung Su**, Hukou Township,  
Hsinchu County (TW); **Hsiu-Hsiang  
Lin**, Hukou Township, Hsinchu County  
(TW)

(73) Assignee: **Lighthouse Technology Co., Ltd.**,  
Hsinchu County (TW)

(\*\*) Term: **14 Years**

(21) Appl. No.: **29/269,453**

(22) Filed: **Dec. 1, 2006**

(30) **Foreign Application Priority Data**

Nov. 3, 2006 (TW) ..... 95306068

(51) **LOC (8) Cl.** ..... **13-03**

(52) **U.S. Cl.** ..... **D13/180**

(58) **Field of Classification Search** ..... D13/180;  
D26/2; 257/79, 80, 81, 88, 89, 95, 98, 99,  
257/100; 313/483, 498, 500; 362/555, 800  
See application file for complete search history.

(56) **References Cited**

**U.S. PATENT DOCUMENTS**

D529,452 S \* 10/2006 Kim et al. .... D13/180  
D531,141 S \* 10/2006 Tzeng ..... D13/180

D534,132 S \* 12/2006 Yoon ..... D13/180  
2006/0284203 A1 \* 12/2006 Han et al. .... 257/98  
2007/0187709 A1 \* 8/2007 Yamamoto ..... 257/99

\* cited by examiner

*Primary Examiner*—Selina Sikder

(74) *Attorney, Agent, or Firm*—Troxell Law Office, PLLC

(57) **CLAIM**

We claim the ornamental design for light emitting diode (LED), as shown and described.

**DESCRIPTION**

FIG. 1 is a perspective view of a light emitting diode (LED) showing my new design;

FIG. 2 is a front elevational view thereof;

FIG. 3 is a rear elevational view thereof;

FIG. 4 is a left side elevational view thereof;

FIG. 5 is a right side elevational view thereof;

FIG. 6 is a top plan view thereof;

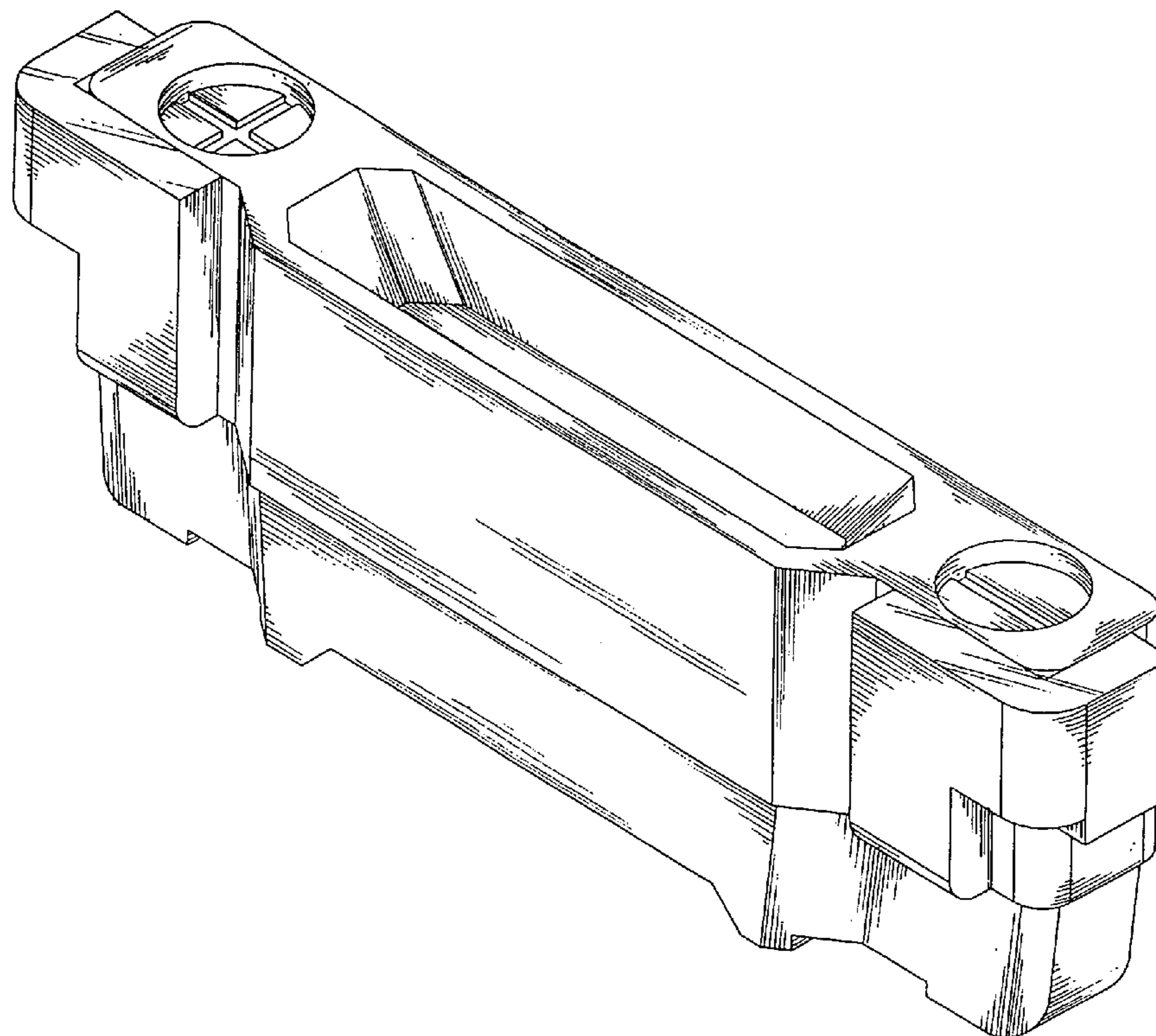
FIG. 7 is a bottom plan view thereof;

FIG. 8 is a front perspective thereof shown in use; and,

FIG. 9 is a bottom perspective thereof shown in use.

The broken lines in the drawings are for illustrative purposes only, and form no part of the claimed design.

**1 Claim, 9 Drawing Sheets**



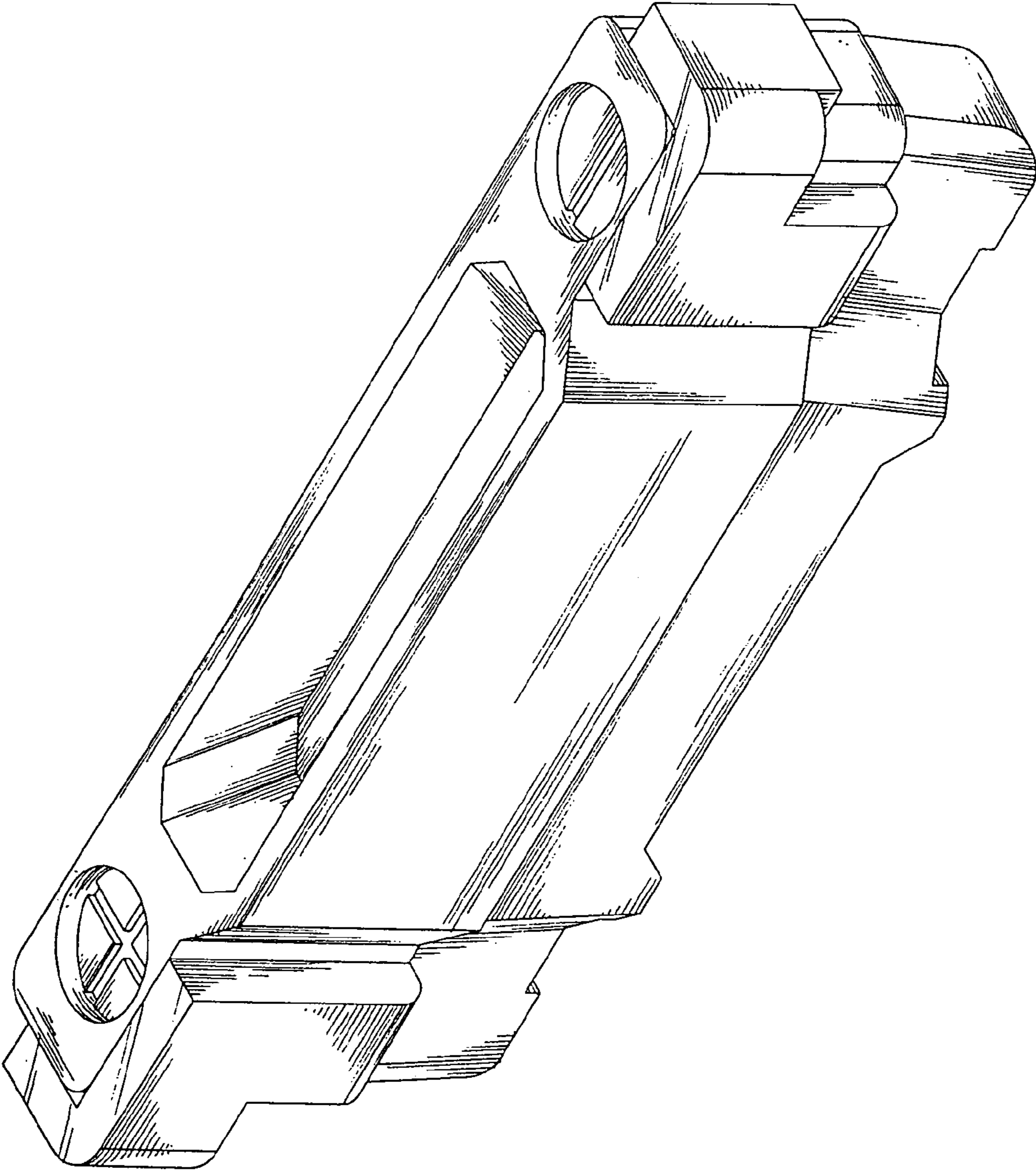


FIG.1

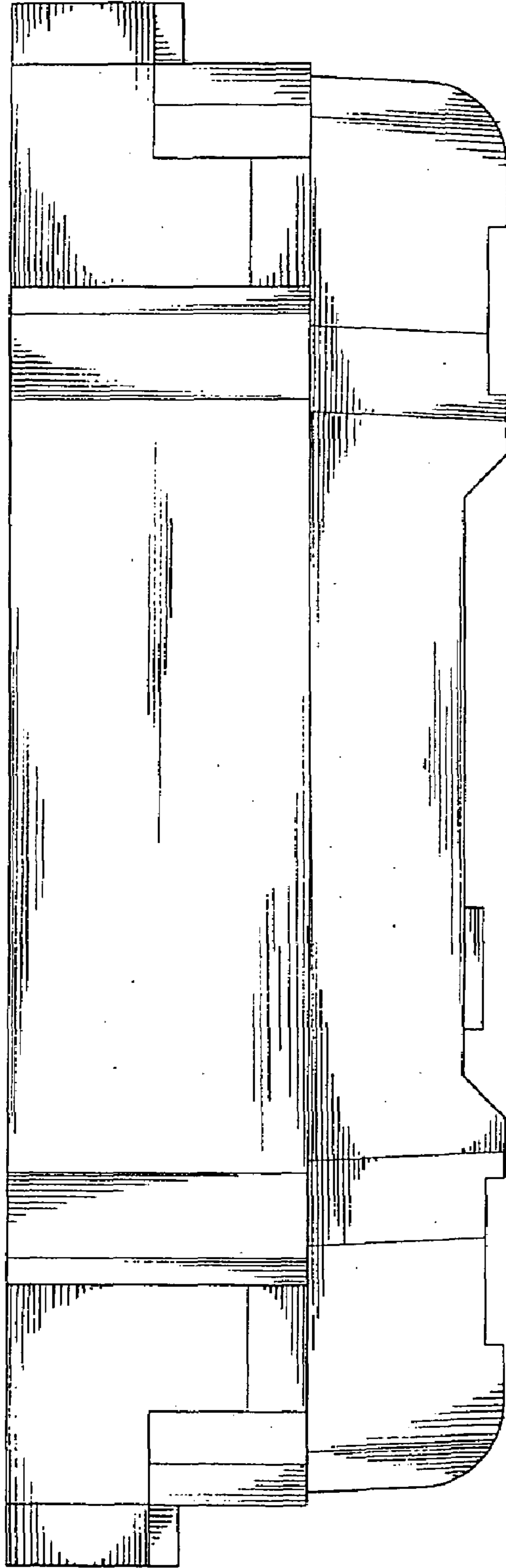


FIG.2

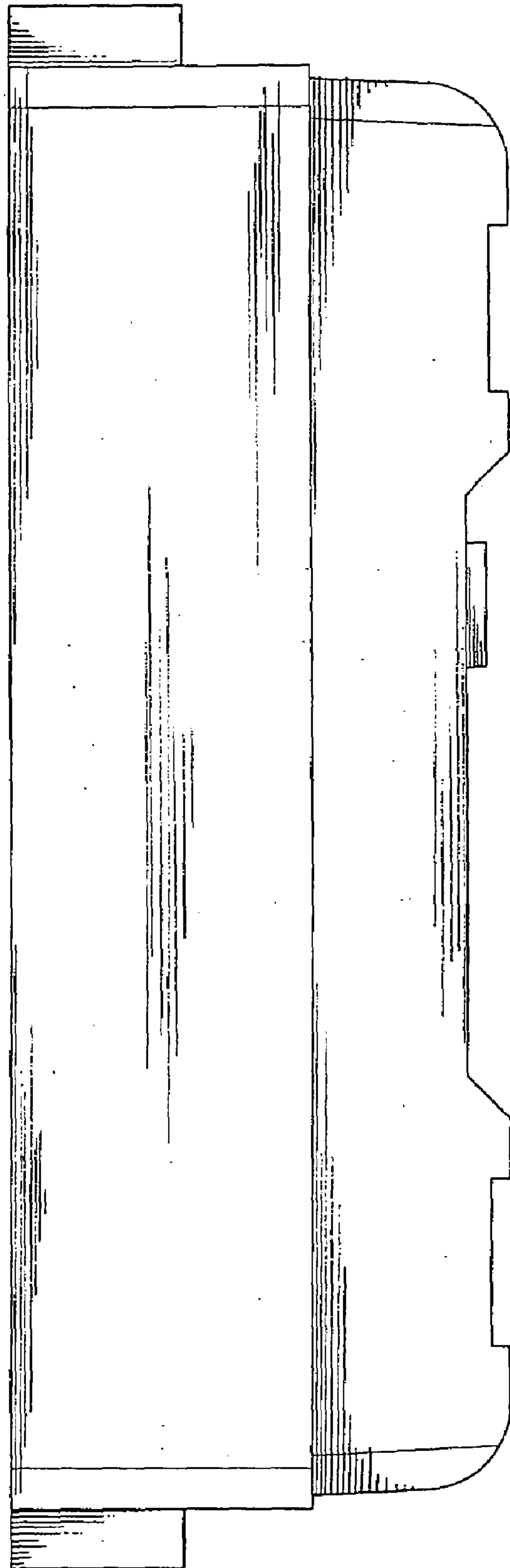


FIG.3

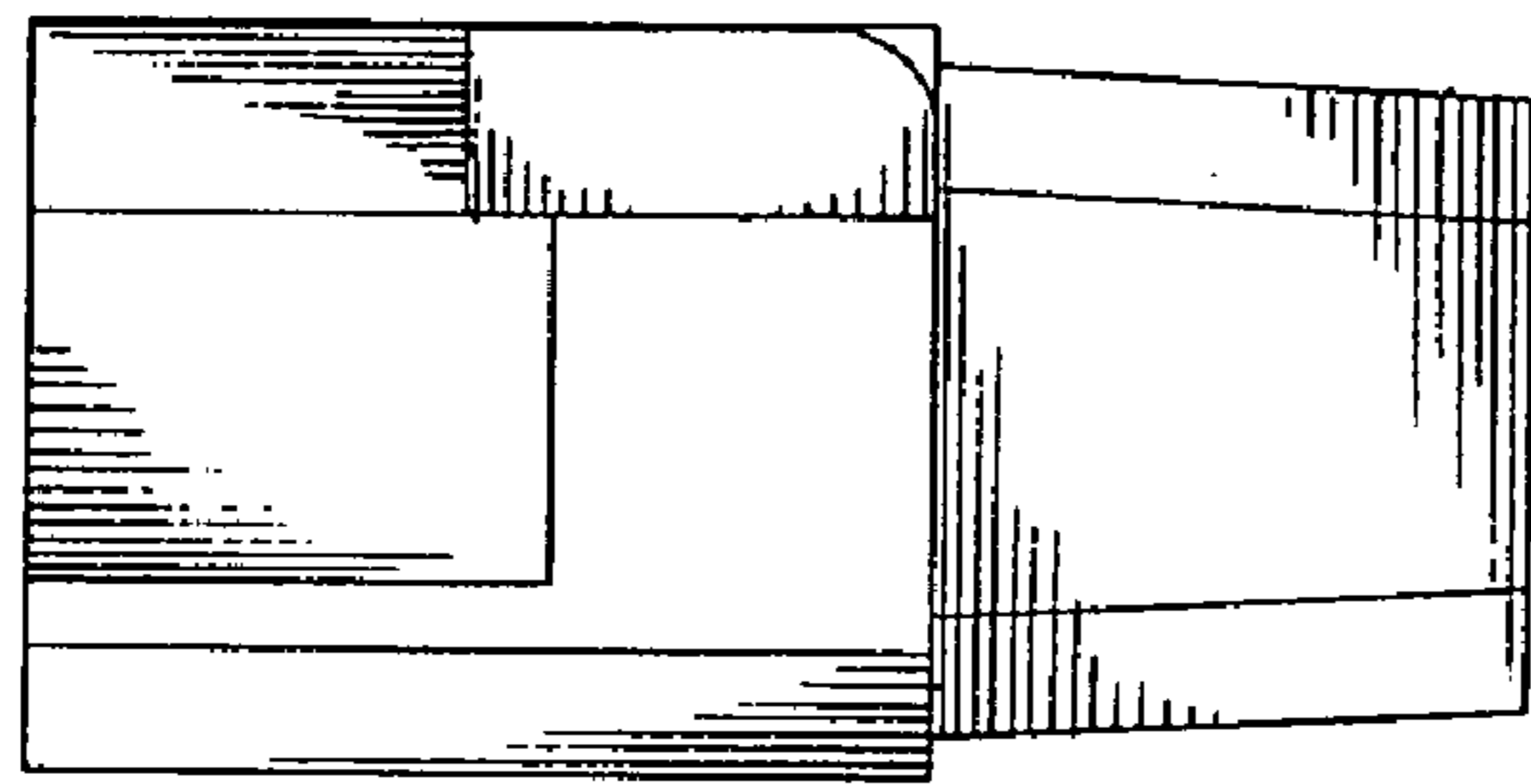


FIG.4

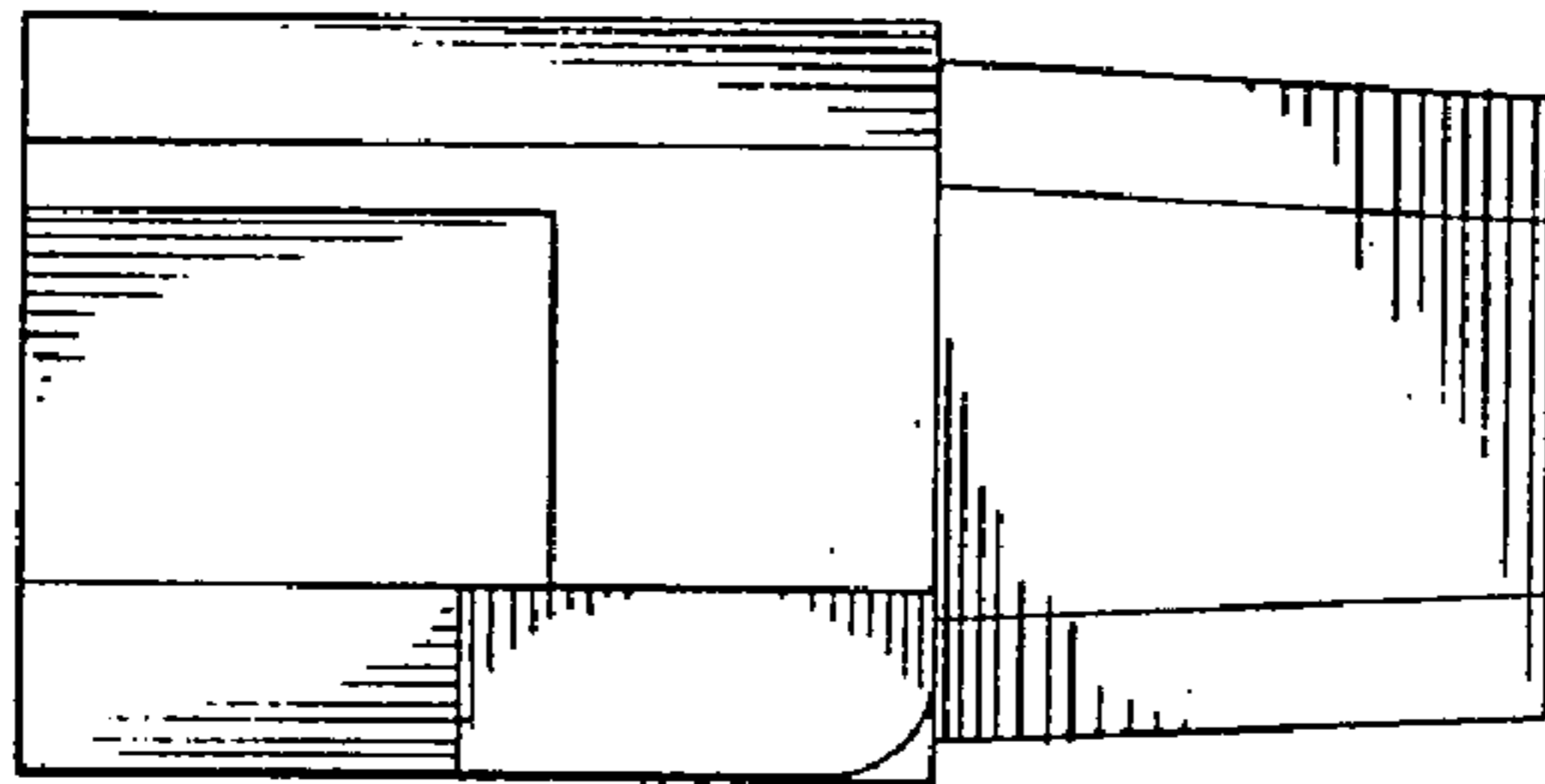


FIG.5

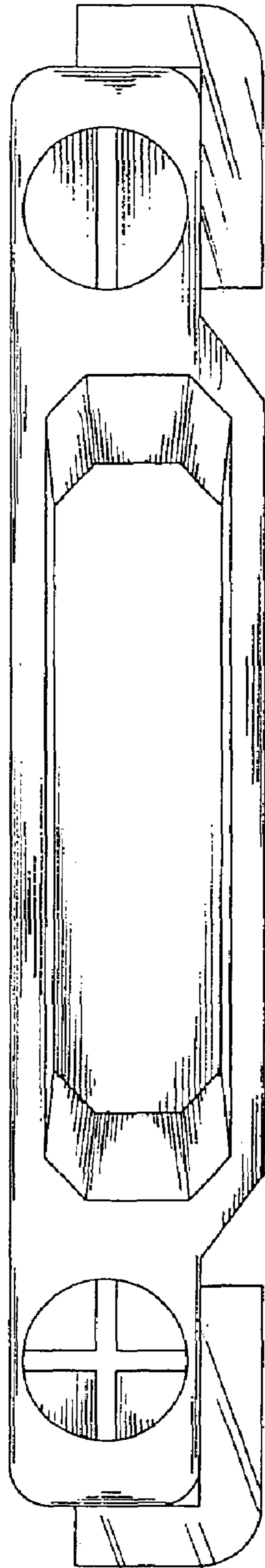


FIG.6

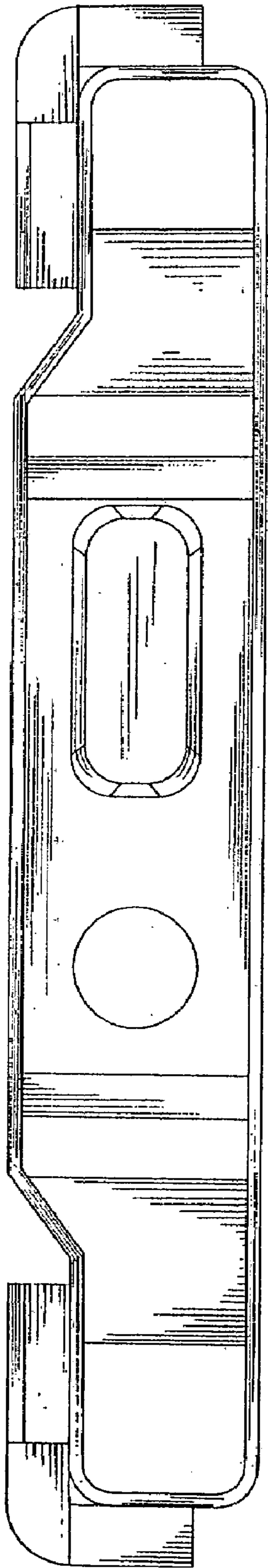


FIG.7



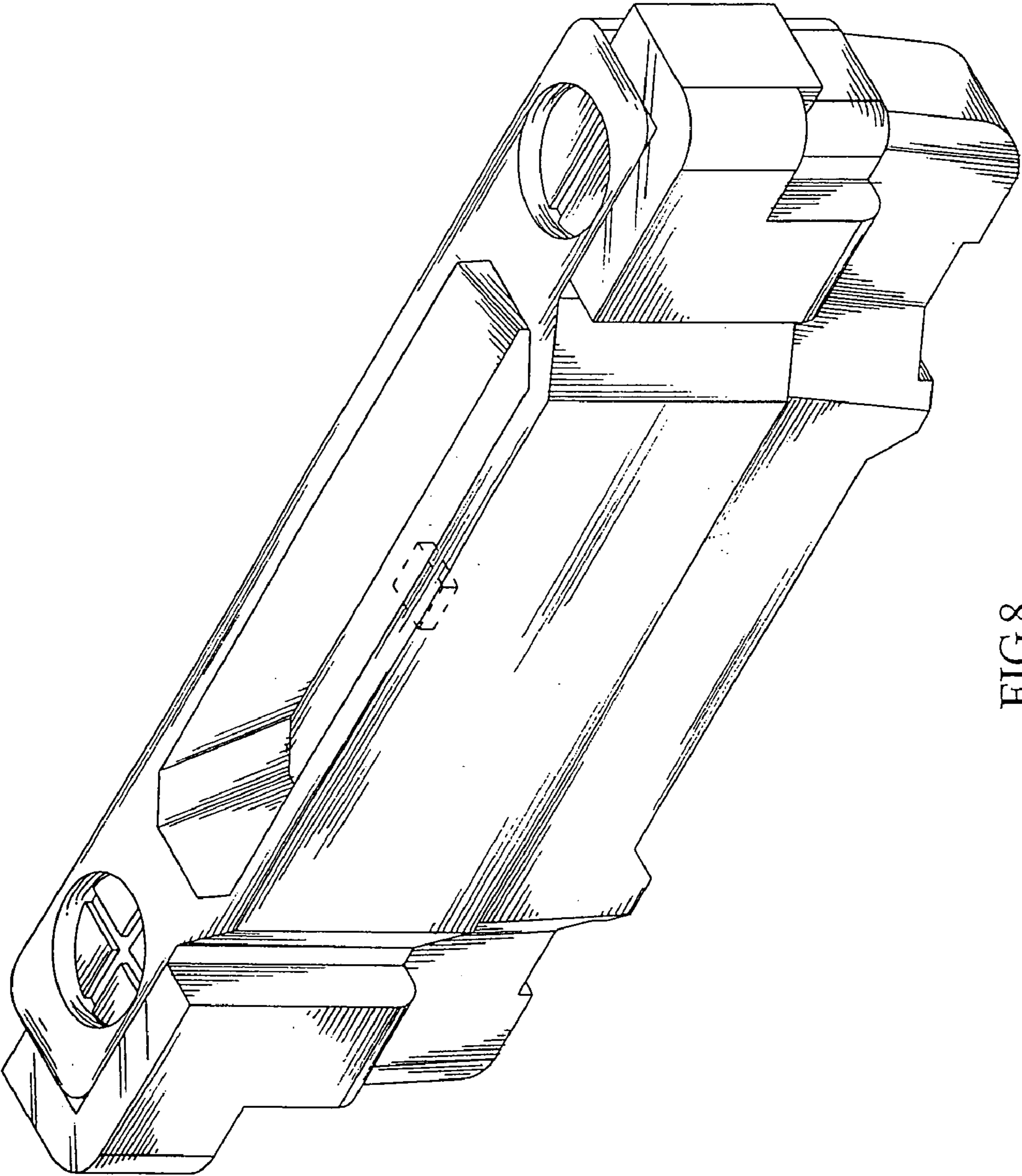


FIG.8

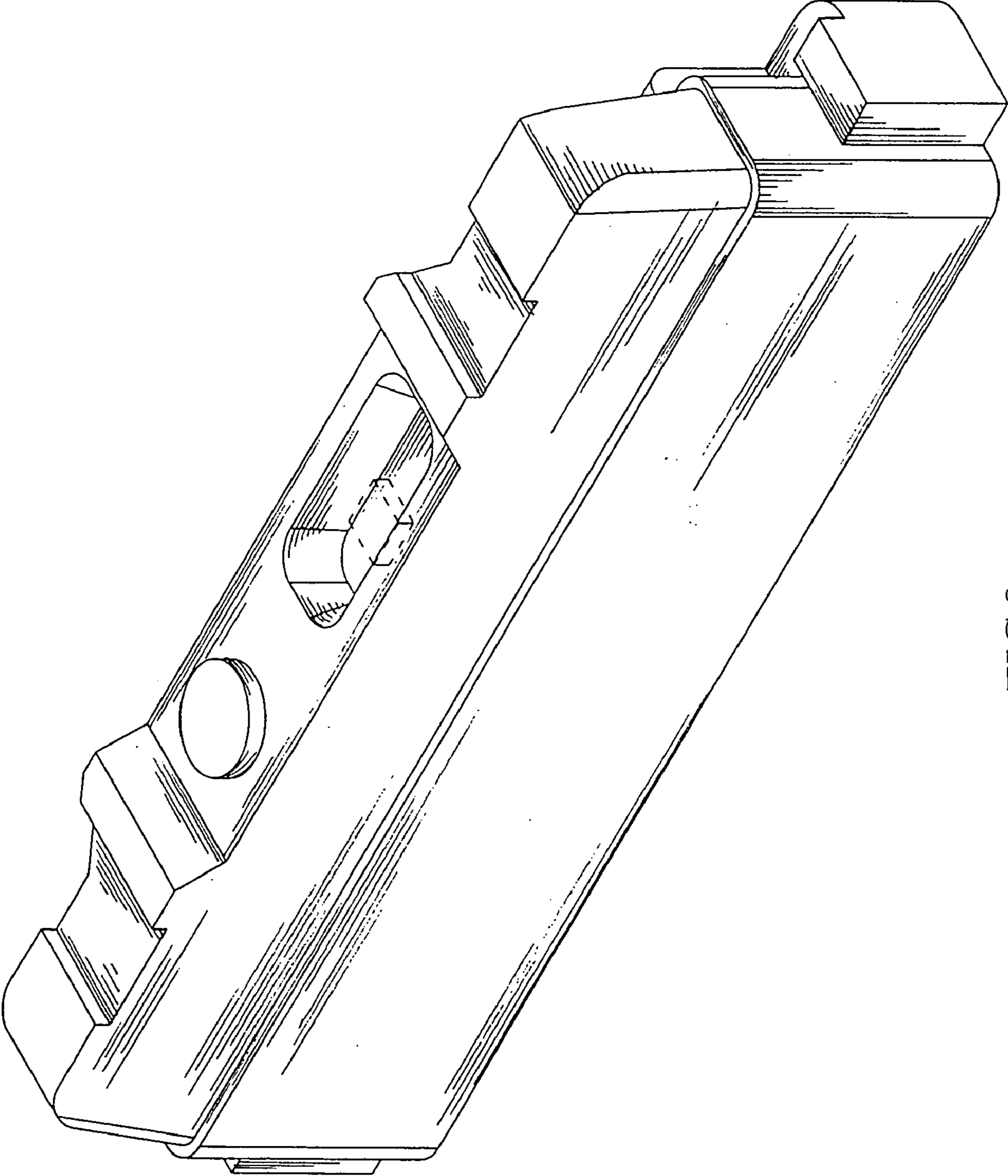


FIG.9