

US00D562782S

(12) **United States Design Patent**
Son

(10) **Patent No.:** **US D562,782 S**

(45) **Date of Patent:** **** Feb. 26, 2008**

- (54) **LIGHT-EMITTING DIODE (LED)**
- (75) Inventor: **Won Jin Son**, Gwangju (KR)
- (73) Assignee: **LG Innotek Co., Ltd.**, Seoul (KR)
- (**) Term: **14 Years**
- (21) Appl. No.: **29/266,912**
- (22) Filed: **Oct. 2, 2006**
- (30) **Foreign Application Priority Data**
Apr. 3, 2006 (KR) 30-2006-0012311
- (51) **LOC (8) Cl.** **13-03**
- (52) **U.S. Cl.** **D13/180**
- (58) **Field of Classification Search** D13/180;
D26/2; 257/79, 80, 81, 88, 89, 95, 98, 99,
257/100; 313/483, 498, 500; 362/555, 800
See application file for complete search history.

- (56) **References Cited**
U.S. PATENT DOCUMENTS
D476,960 S * 7/2003 Fukasawa et al. D13/182
D478,879 S * 8/2003 Imai D13/182
6,677,707 B1 * 1/2004 Dietiker 313/498

- 6,799,870 B2 * 10/2004 Lin 362/294
- D499,075 S * 11/2004 Yoon et al. D13/180
- 2004/0061440 A1 * 4/2004 Imai et al. 313/512
- 2006/0186427 A1 * 8/2006 Takine et al. 257/99

* cited by examiner
Primary Examiner—Selina Sikder
(74) *Attorney, Agent, or Firm*—Birch, Stewart, Kolasch & Birch, LLP

(57) **CLAIM**

The ornamental design for a light-emitting diode (LED), as shown and described.

DESCRIPTION

FIG. 1 is a perspective view of the light-emitting diode (LED) showing my new design;
FIG. 2 is a front view thereof;
FIG. 3 is a rear view thereof;
FIG. 4 is a left side view thereof, the right side view being a mirror image thereof; and,
FIG. 5 is a top view thereof, the bottom view being a mirror image thereof.

1 Claim, 2 Drawing Sheets

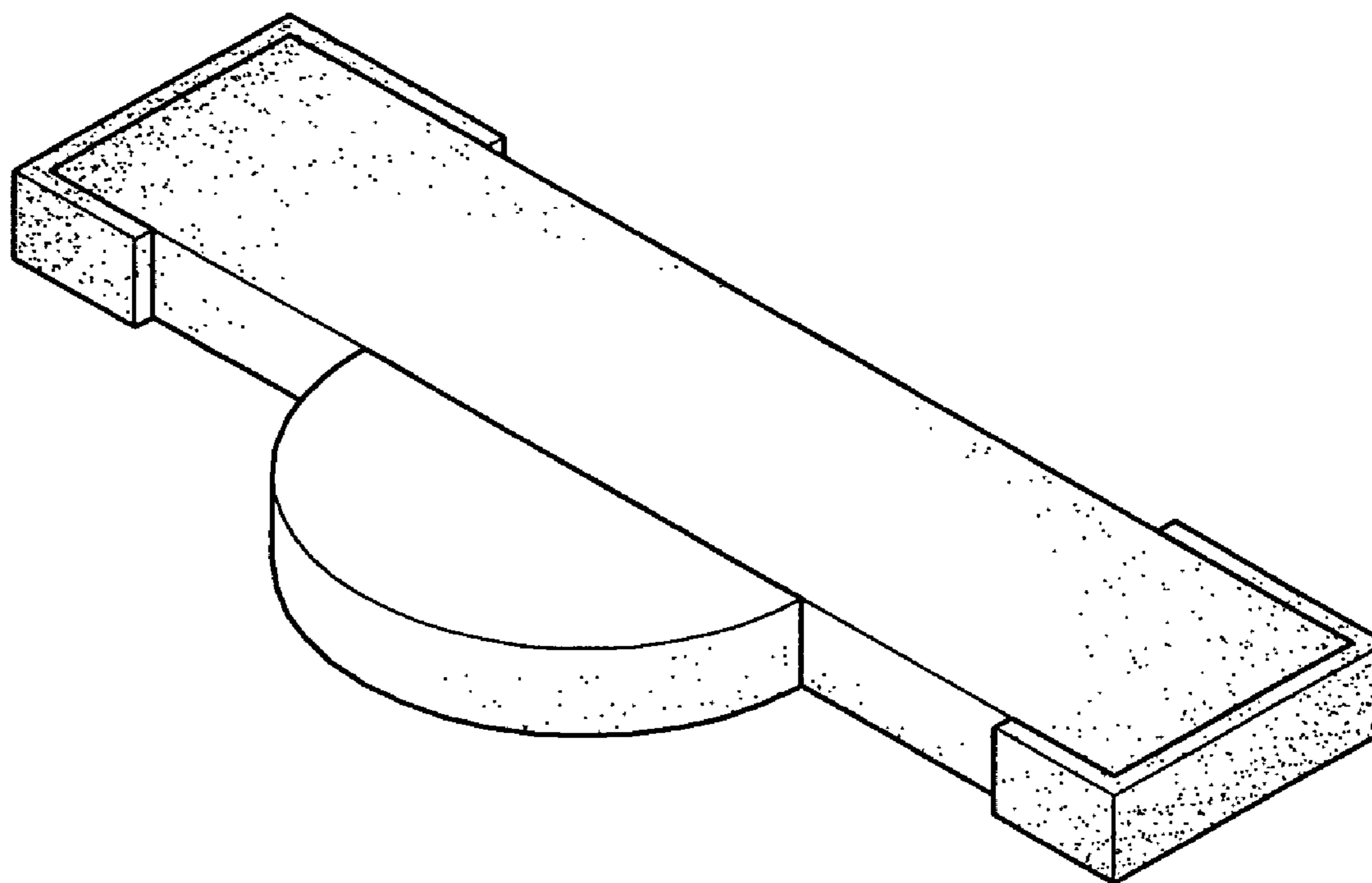


Figure 1

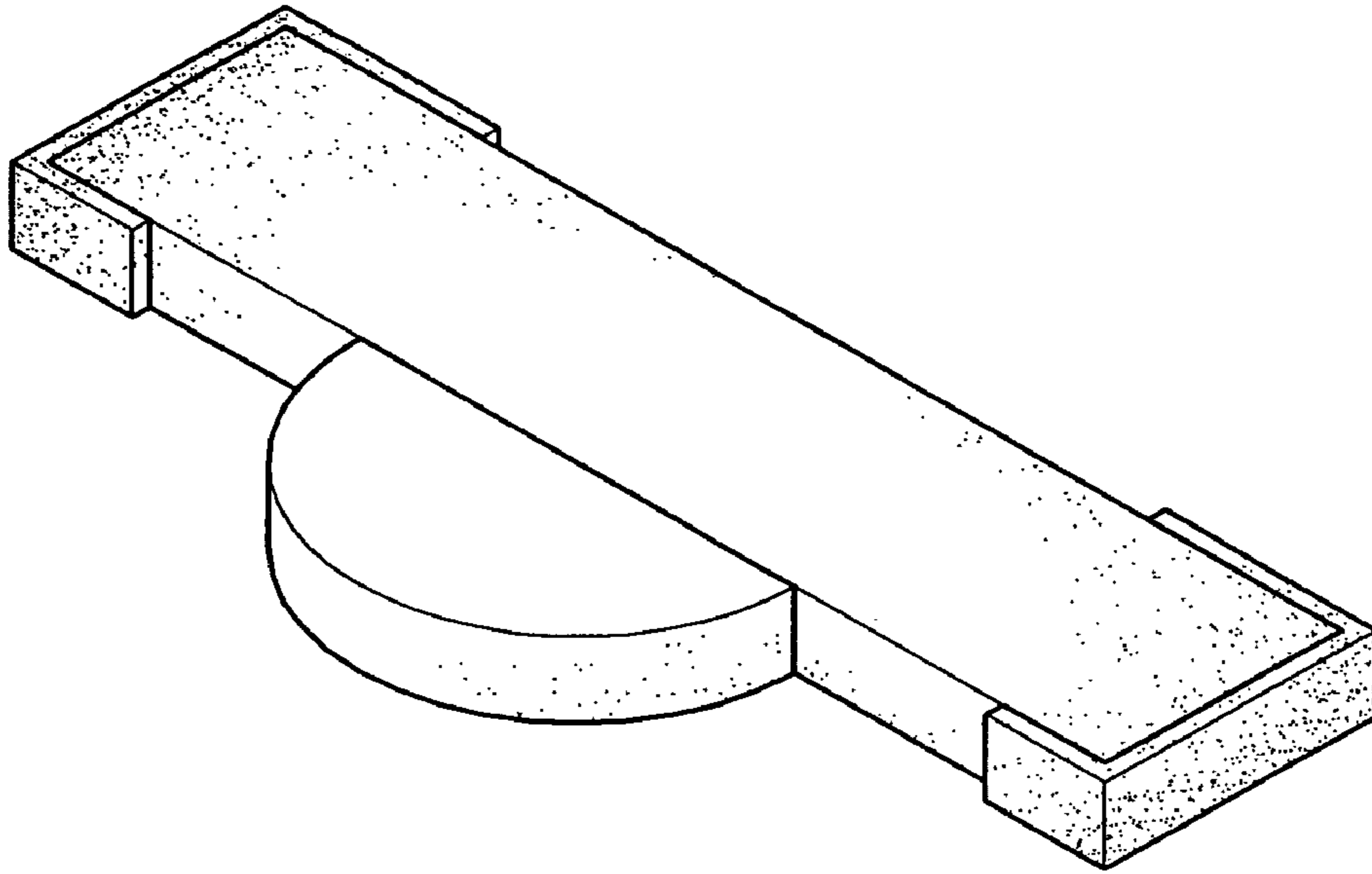


Figure 2



Figure 3

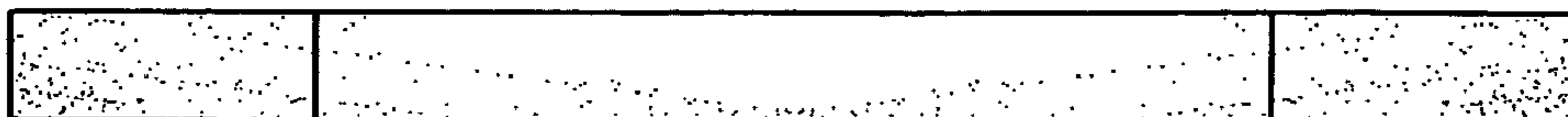


Figure 4



Figure 5

