



US00D562781S

(12) **United States Design Patent**  
**Teufel**

(10) **Patent No.:** **US D562,781 S**

(45) **Date of Patent:** **\*\* Feb. 26, 2008**

(54) **FAN WITH RIBBED HOUSING SIDEWALLS**

(75) Inventor: **Jörg Teufel**, Elchingen (DE)

(73) Assignee: **EBM-Papst St. Georgen GmbH & Co. KG**, St. Georgen (DE)

(\*\*) Term: **14 Years**

(21) Appl. No.: **29/240,340**

(22) Filed: **Oct. 11, 2005**

(30) **Foreign Application Priority Data**

Apr. 11, 2005 (EM) ..... 000335096

(51) **LOC (8) Cl.** ..... **13-03**

(52) **U.S. Cl.** ..... **D13/179**

(58) **Field of Classification Search** ..... D13/179;  
165/80.3, 104.33, 151, 122, 185; 257/706,  
257/707, 718-722; 361/687, 695, 697, 700,  
361/702, 704, 709, 710, 711, 719; D23/370  
See application file for complete search history.

(56) **References Cited**

**U.S. PATENT DOCUMENTS**

D268,667 S \* 4/1983 Jordan et al. .... D13/179

(Continued)

**OTHER PUBLICATIONS**

ebm-papst St. Georgen GmbH & Co. KG, "Compact Fans for AC and DC," catalog pp. 40 & 41, published Mar. 1, 2004. (St. Georgen in the Black Forest, Germany).

*Primary Examiner*—Selina Sikder

(74) *Attorney, Agent, or Firm*—Milton Oliver, Esq.; Ware, Fressola, VDS & Adolphson, LLP

(57) **CLAIM**

The ornamental design for a fan with ribbed housing side-walls, as shown and described.

**DESCRIPTION**

FIGS. 1 is a perspective view of the fan with ribbed housing wherein the fan motor and blades are removed for showing the interior face of the fan housing;

FIG. 2 is a plan view of the interior face of the fan housing;

FIG. 3 is side view of the housing of FIG. 2, viewed from a bottom side thereof;

FIG. 4 is a side view of the housing of FIG. 2, viewed from a top side thereof;

FIG. 5 is a plan view of an exterior face of the fan housing, showing the face opposite to that of FIG. 2;

FIG. 6 is a side view of the housing of FIG. 2, viewed from a left side thereof;

FIG. 7 is a side view of the housing of FIG. 2, viewed from a right side thereof;

FIG. 8 is a perspective view of the same housing as shown in FIG. 1, with a first embodiment of the fan rotor/blade assembly placed on the hub;

FIG. 9 is a plan view analogous to FIG. 2, with the fan rotor/blade assembly placed on the hub;

FIG. 10 is a side view analogous to FIG. 3;

FIG. 11 is a side view analogous to FIG. 4;

FIG. 12 is a plan view analogous to FIG. 5, with the fan rotor/blade assembly placed on the hub;

FIG. 13 is a side view analogous to FIG. 6;

FIG. 14 is a side view analogous to FIG. 7;

FIG. 15 is a perspective view of the same housing as shown in FIG. 1, with a second embodiment of the fan rotor/blade assembly placed on the hub, the rotor being formed with an annular pattern of rectangular apertures;

FIG. 16 is a plan view analogous to FIG. 2, with the fan rotor/blade assembly placed on the hub;

FIG. 17 is a side view analogous to FIG. 3;

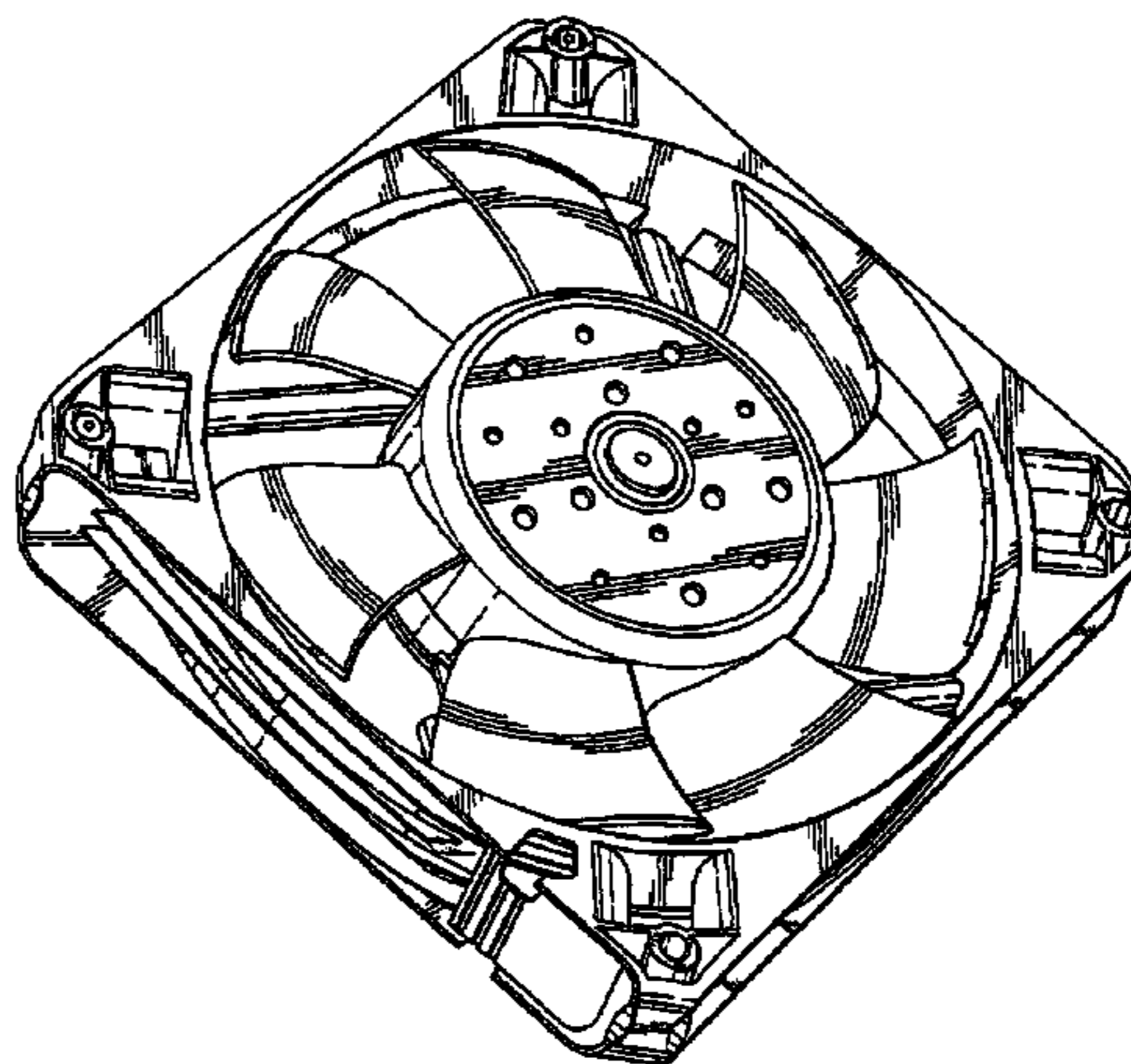
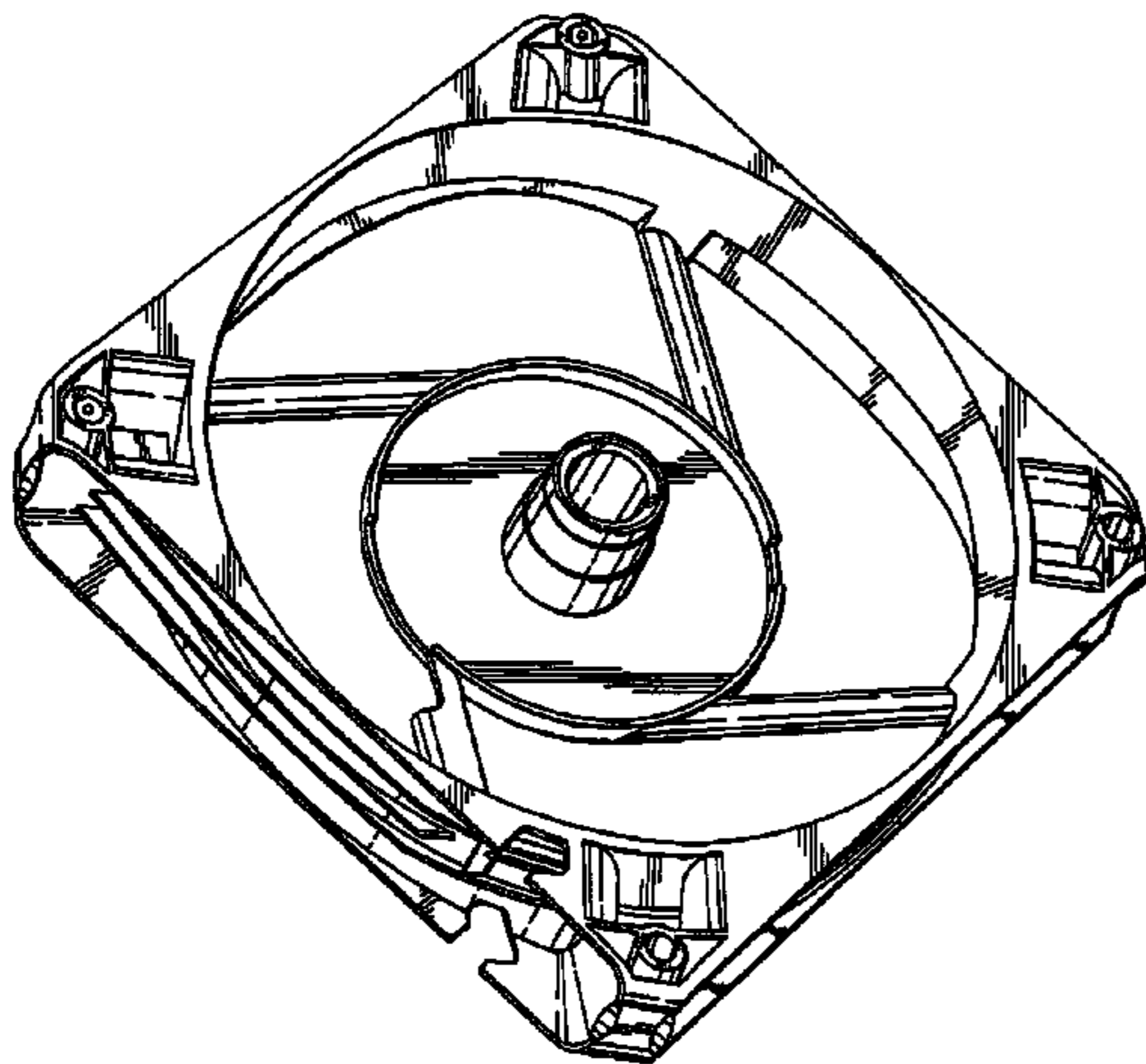
FIG. 18 is a side view analogous to FIG. 4;

FIG. 19 is a plan view analogous to FIG. 5, with the fan rotor/blade assembly placed on the hub;

FIG. 20 is a side view analogous to FIG. 6; and,

FIG. 21 is a side view analogous to FIG. 7.

**1 Claim, 12 Drawing Sheets**



# US D562,781 S

Page 2

---

U.S. PATENT DOCUMENTS					
		2005/0141992	A1*	6/2005	Lin ..... 415/176
D357,900	S *	5/1995	Katsui et al. ....	D13/179	
D466,092	S *	11/2002	Hsieh ..... D13/179		
6,648,065	B2*	11/2003	Huang et al. ....	165/121	
2003/0079861	A1*	5/2003	Lee ..... 165/80.3		
		2006/0067053	A1*	3/2006	Yu et al. .... 361/704
		2006/0219386	A1*	10/2006	Hsia et al. .... 165/80.3
		2007/0014089	A1*	1/2007	Huang ..... 361/695

\* cited by examiner

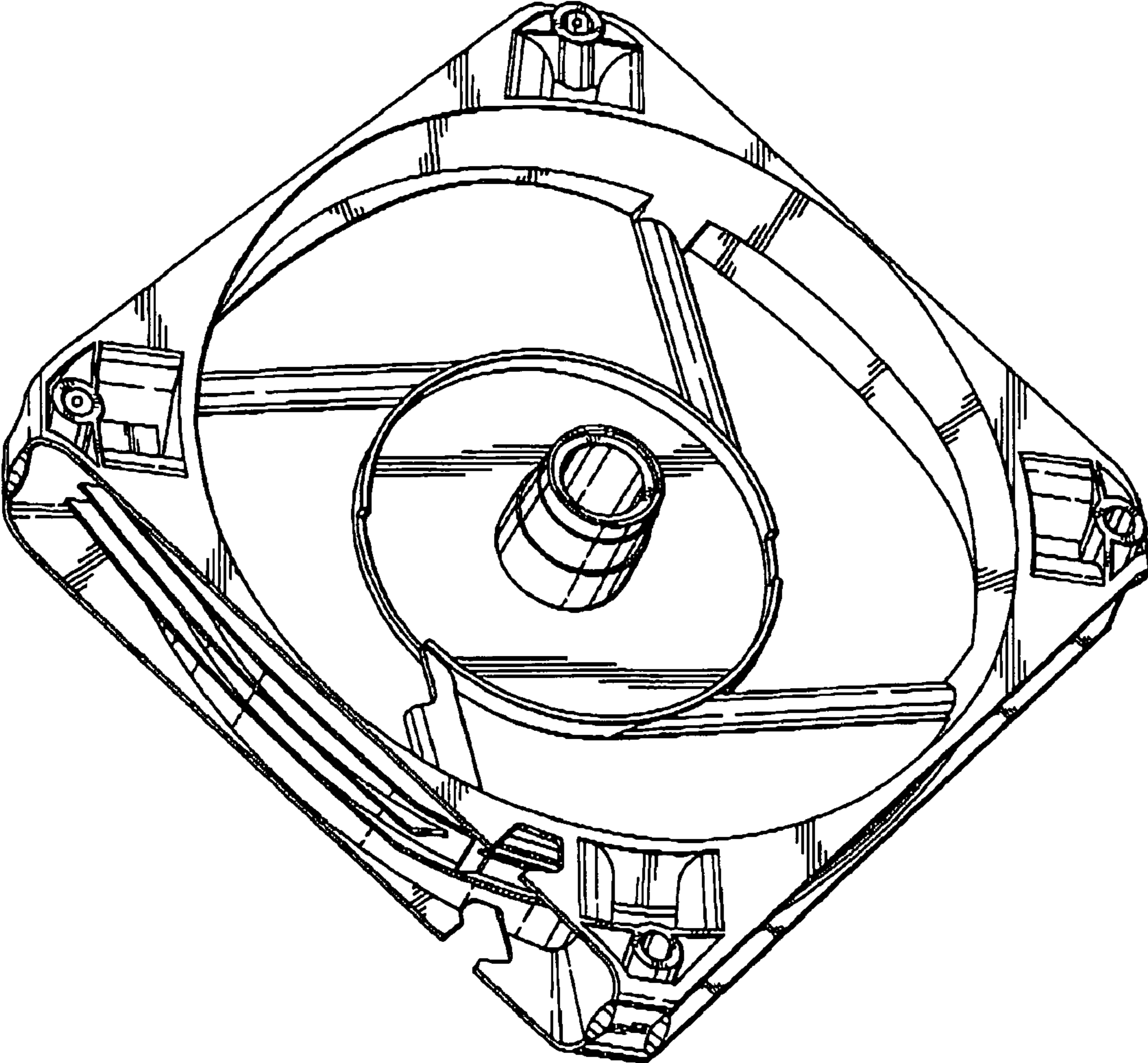


FIG. 1

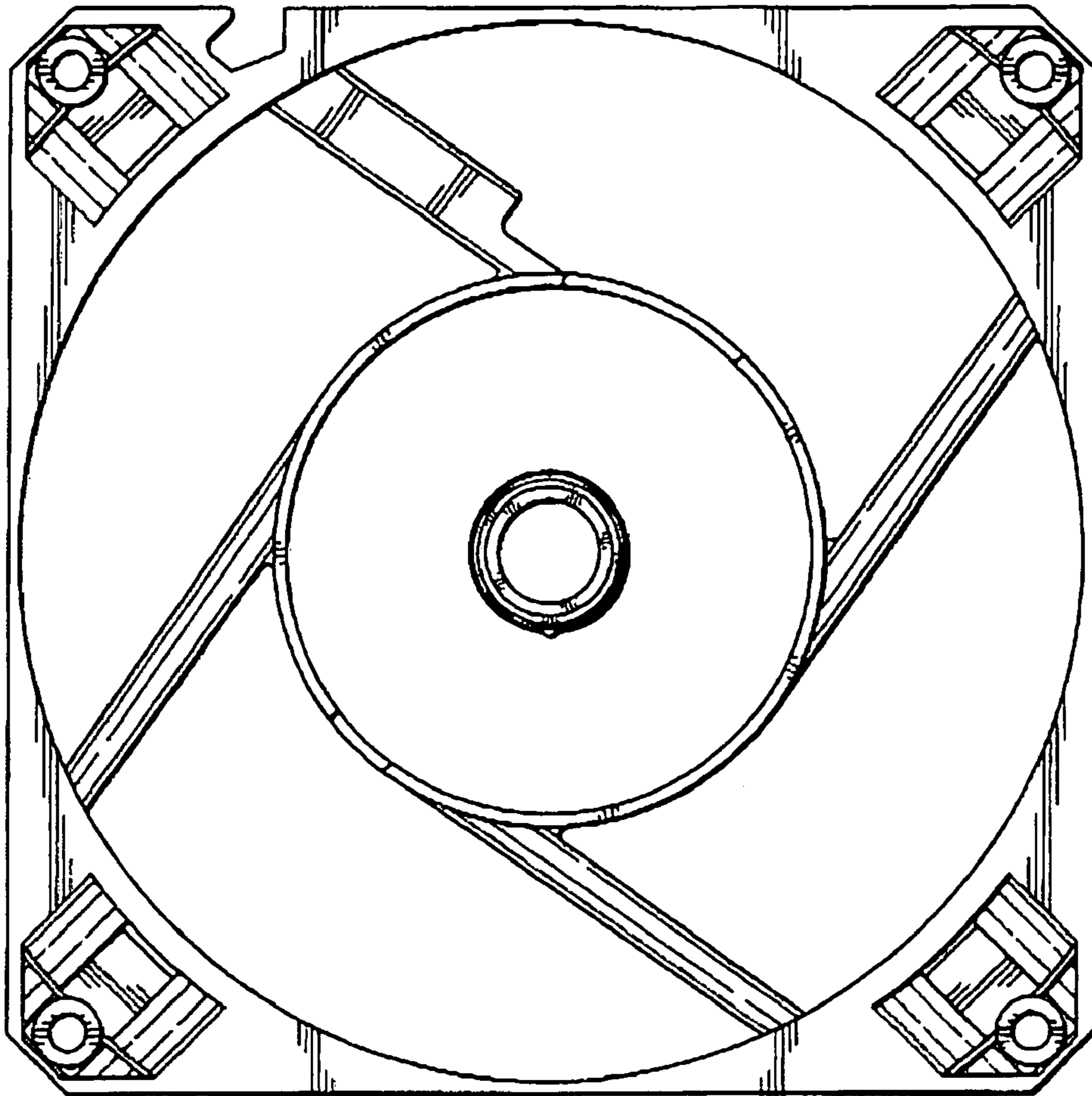


FIG. 2

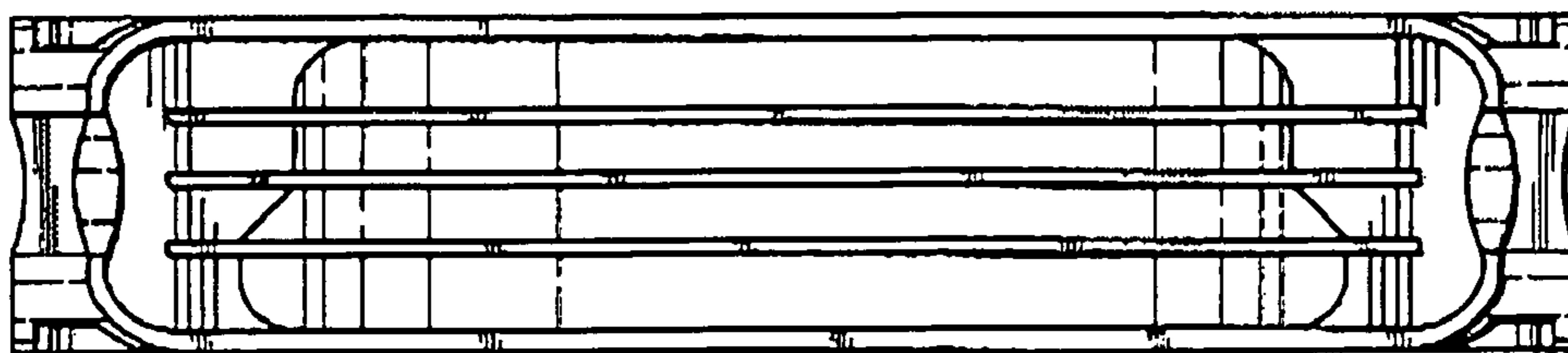


FIG. 3

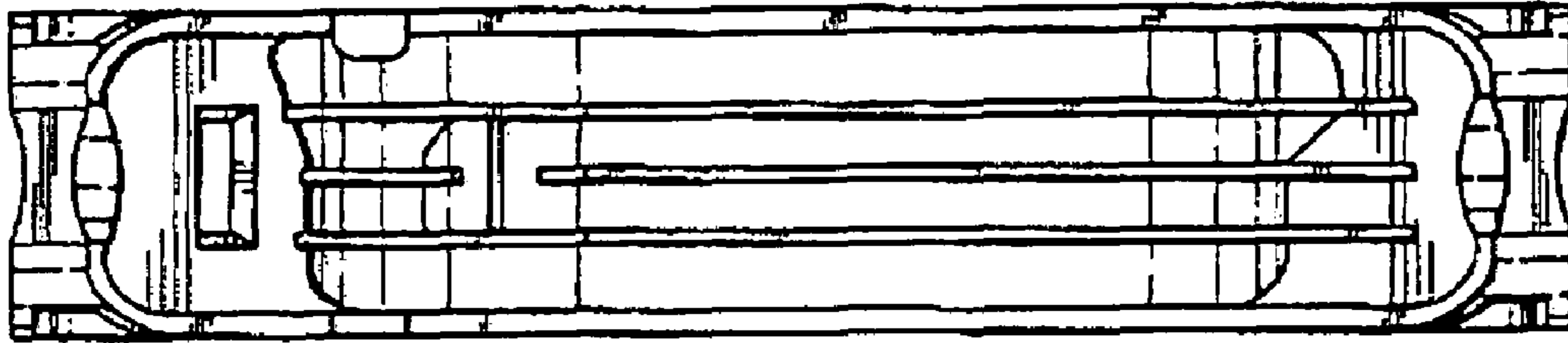


FIG. 4

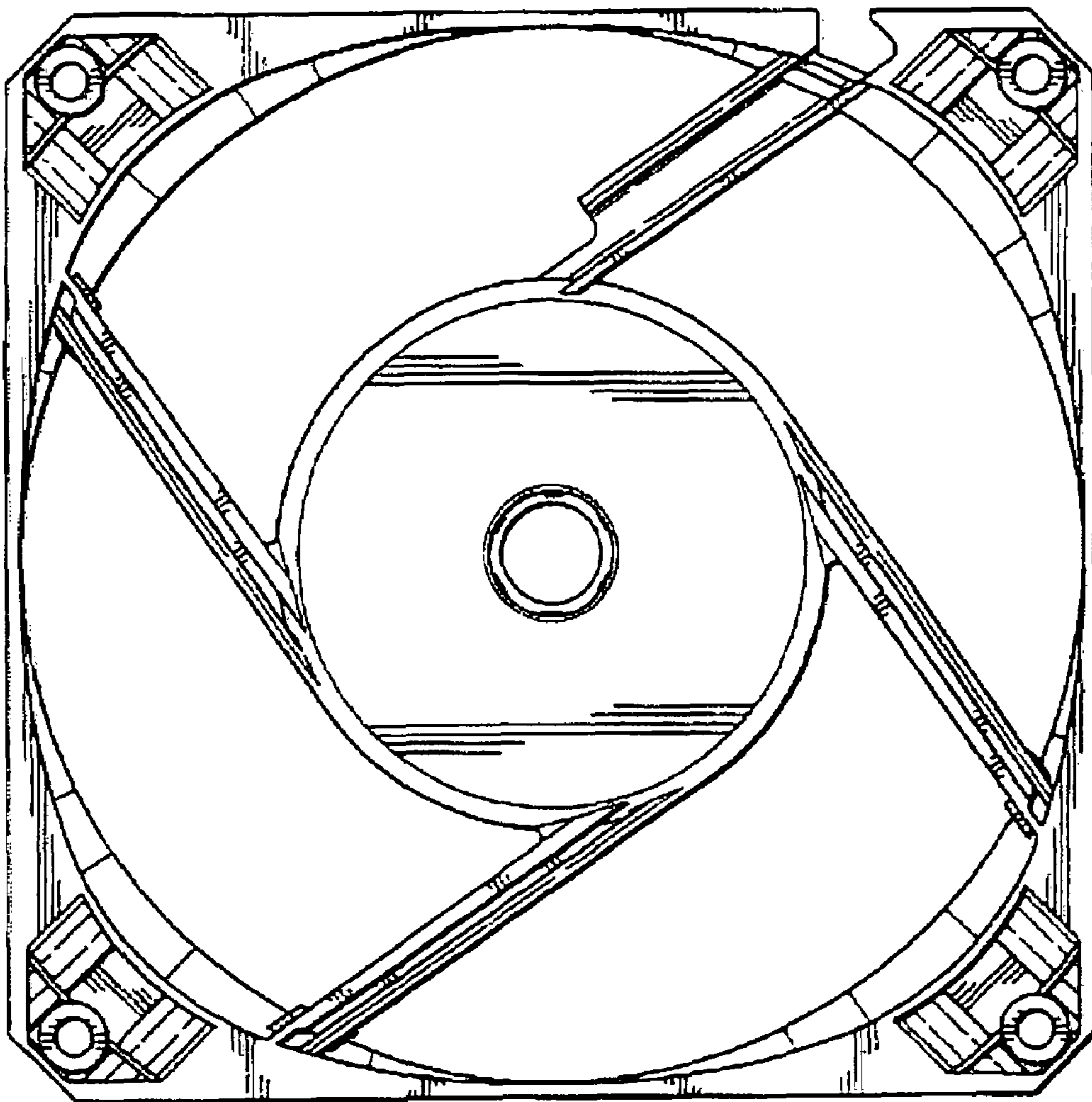


FIG. 5

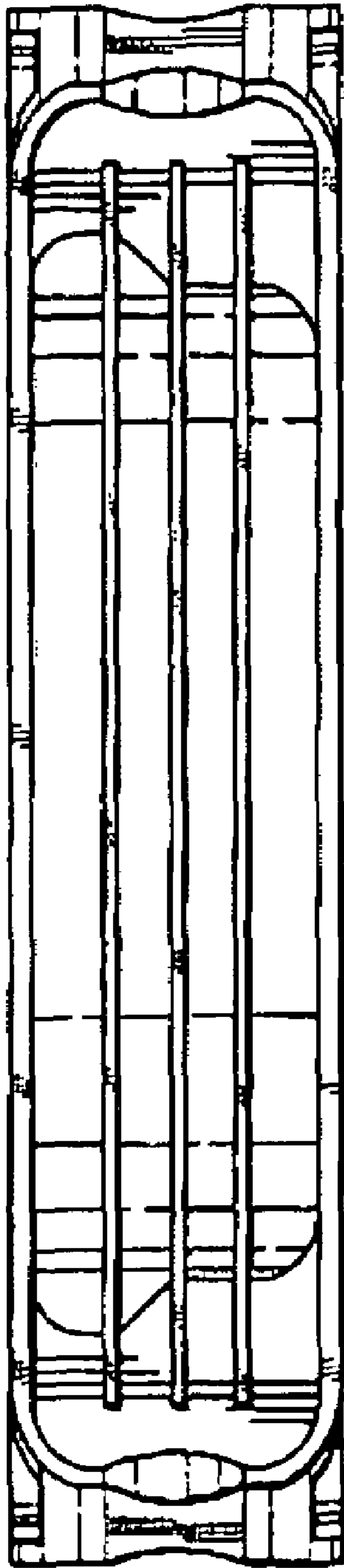


FIG. 6

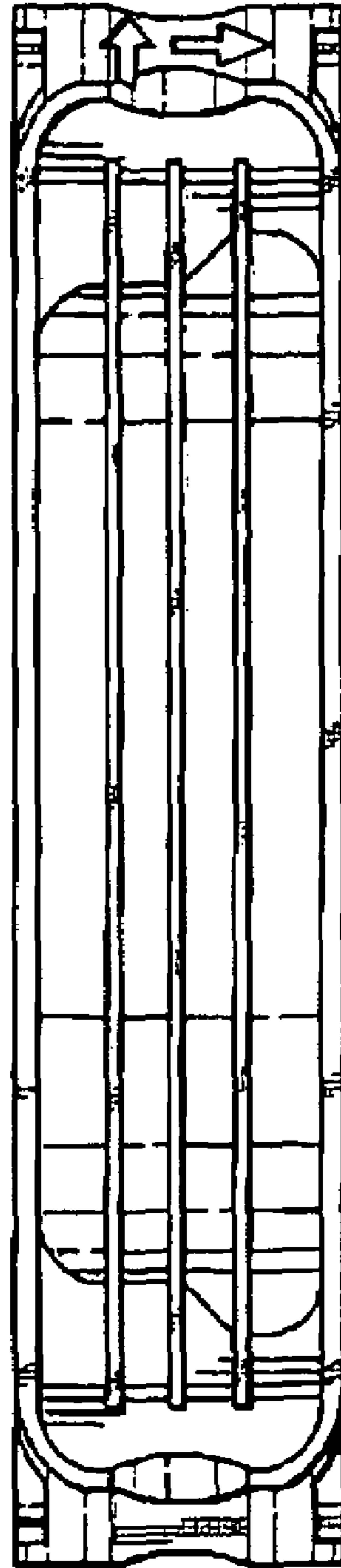


FIG. 7

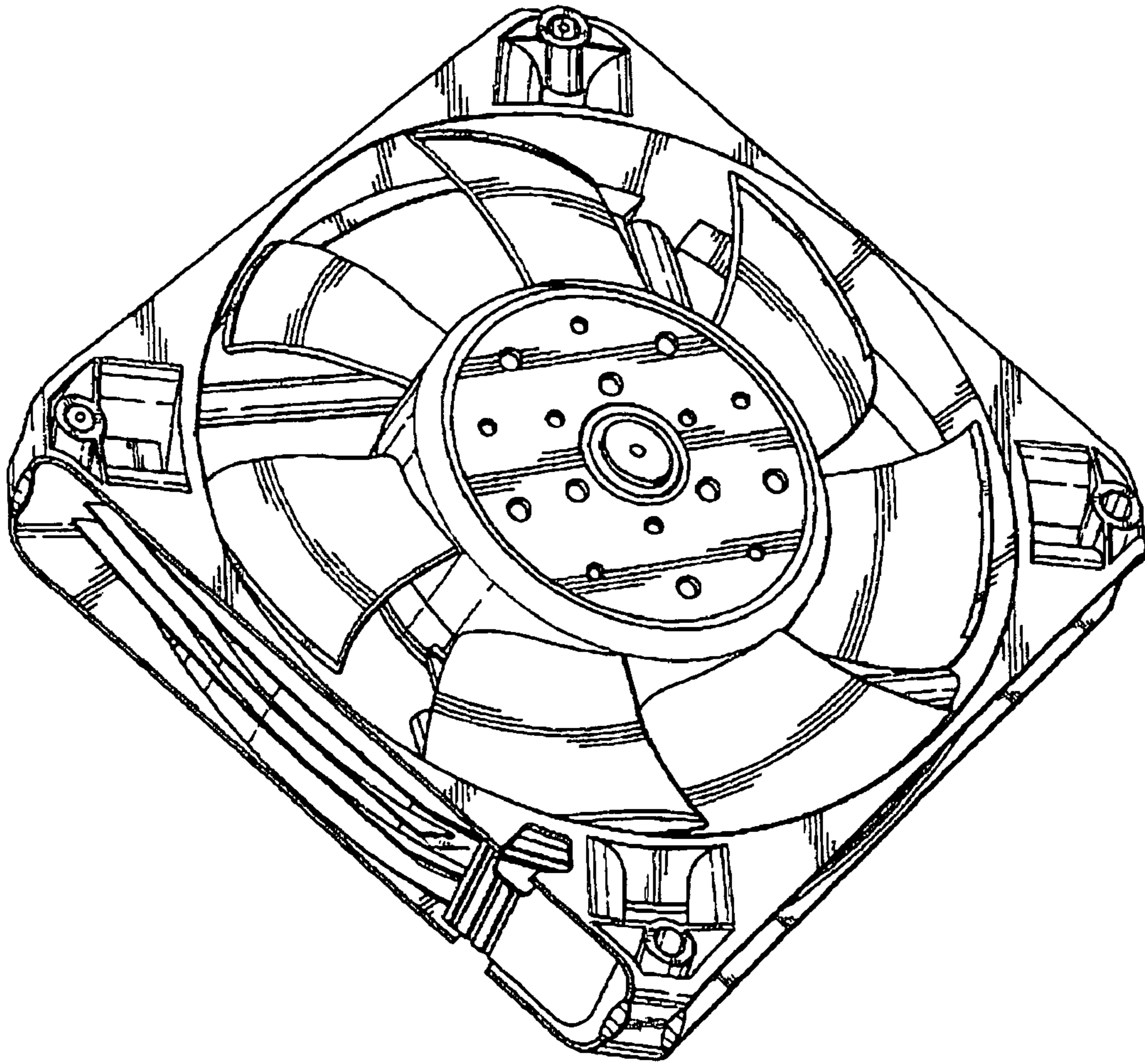


FIG. 8

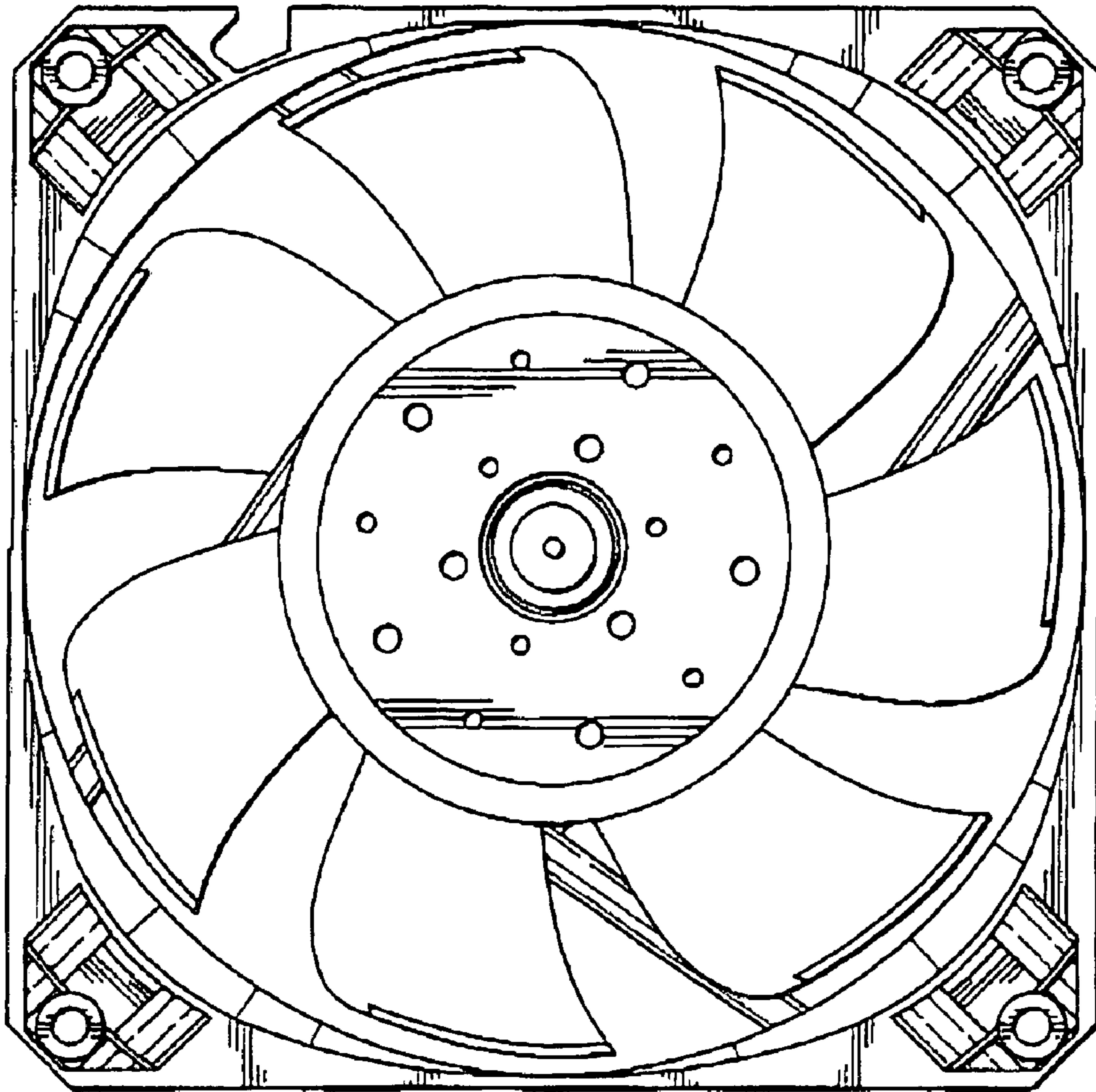


FIG. 9

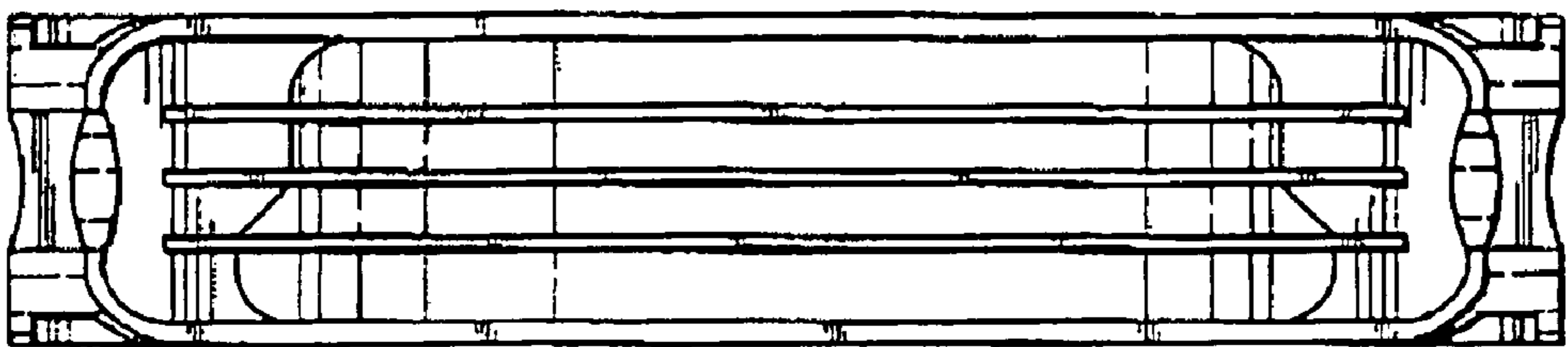


FIG. 10



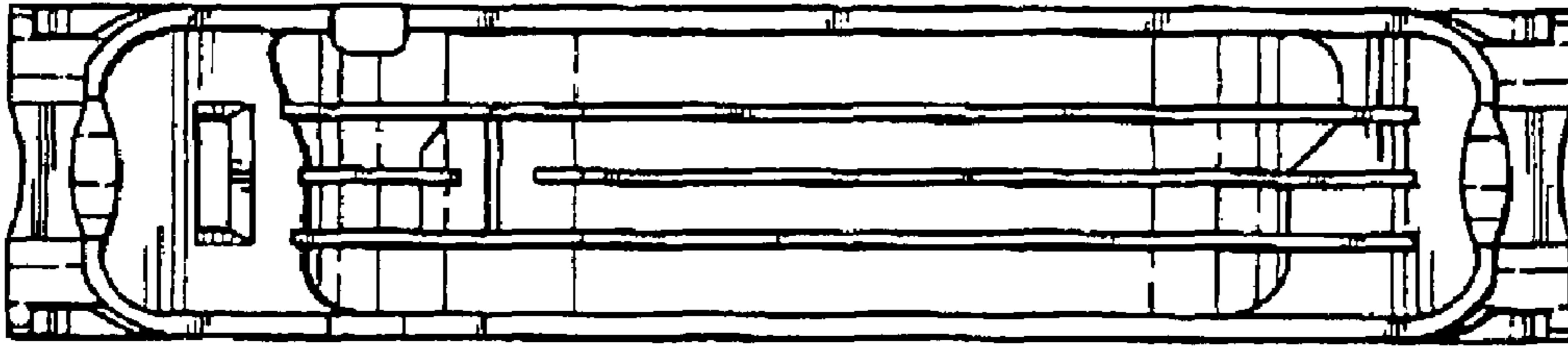


FIG. 11

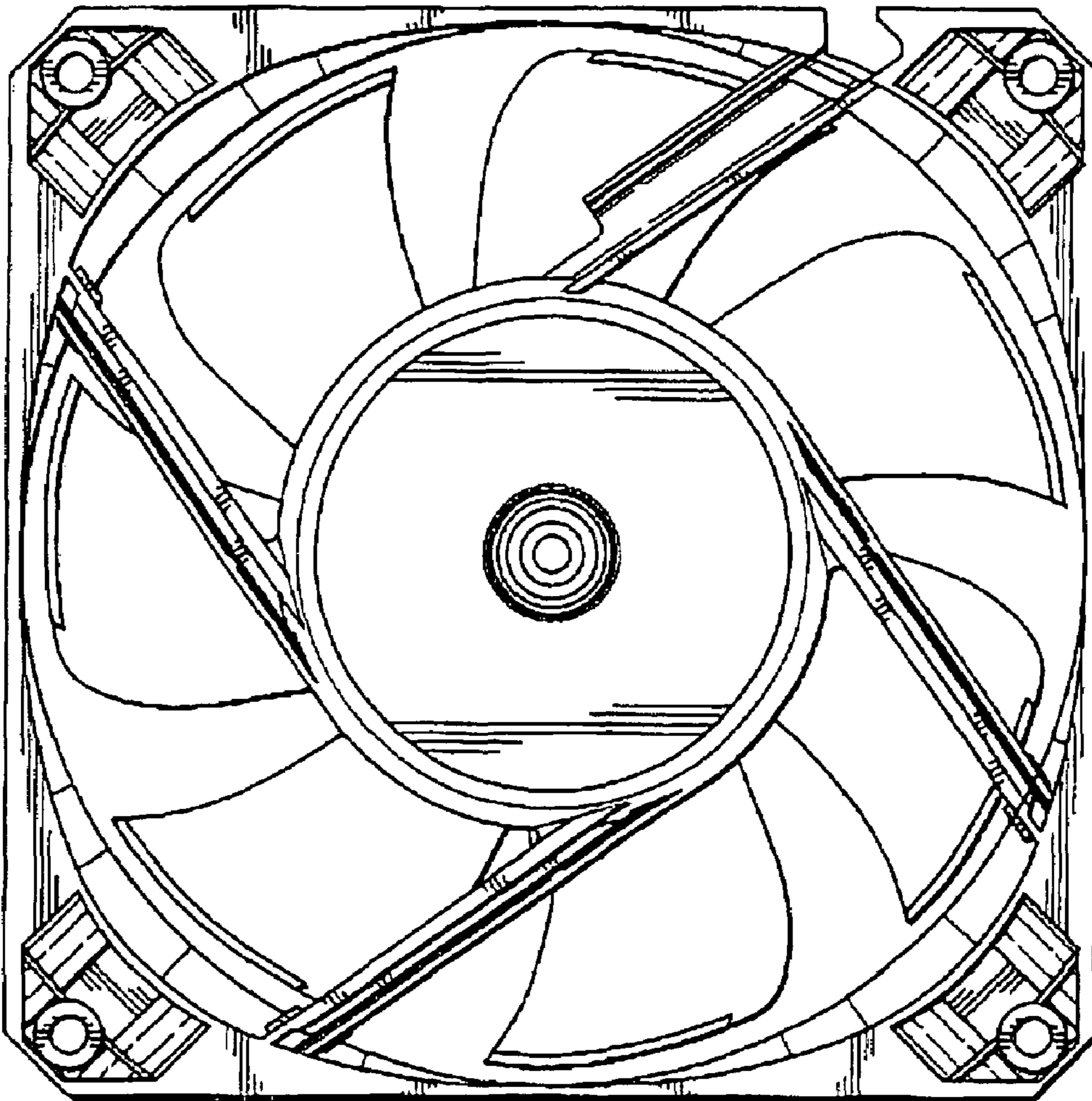


FIG. 12

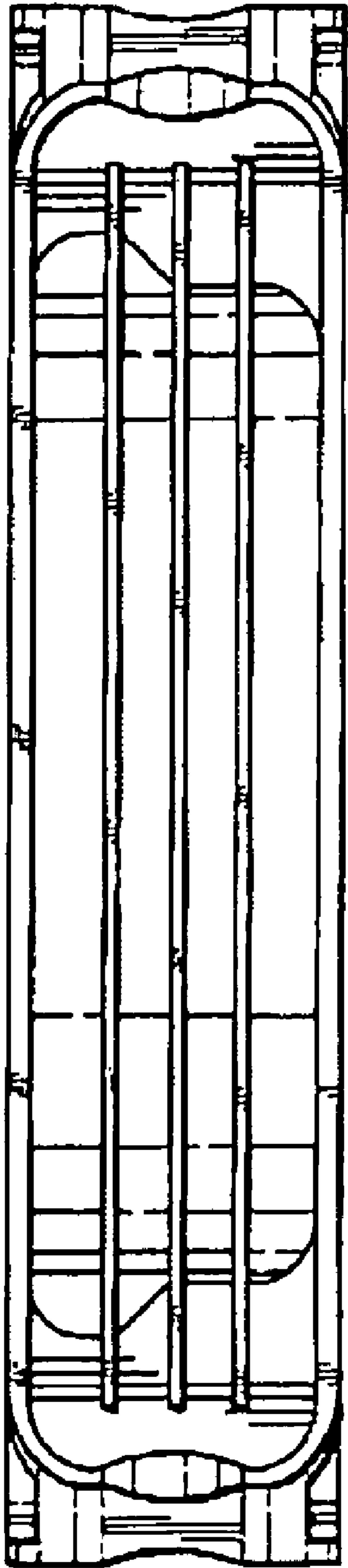


FIG. 13

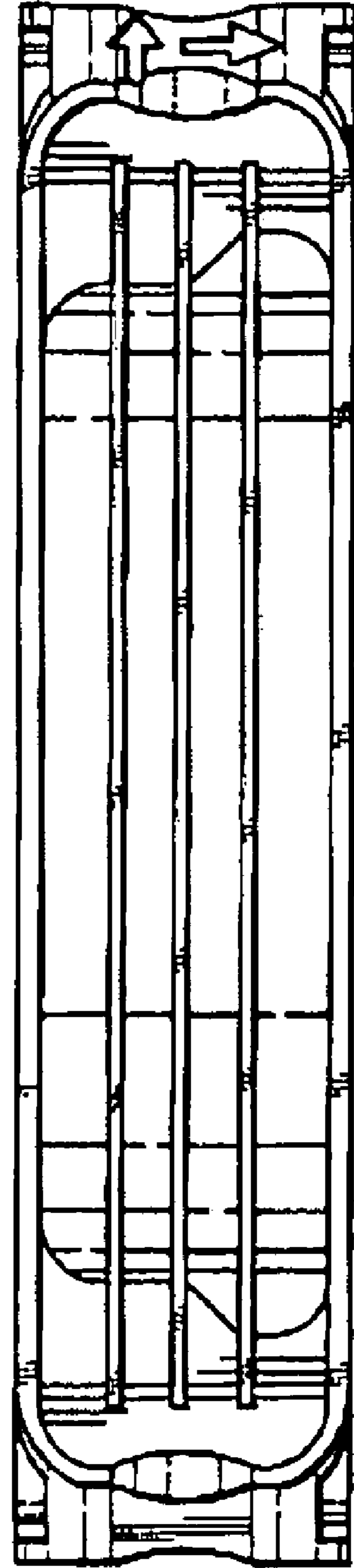


FIG. 14

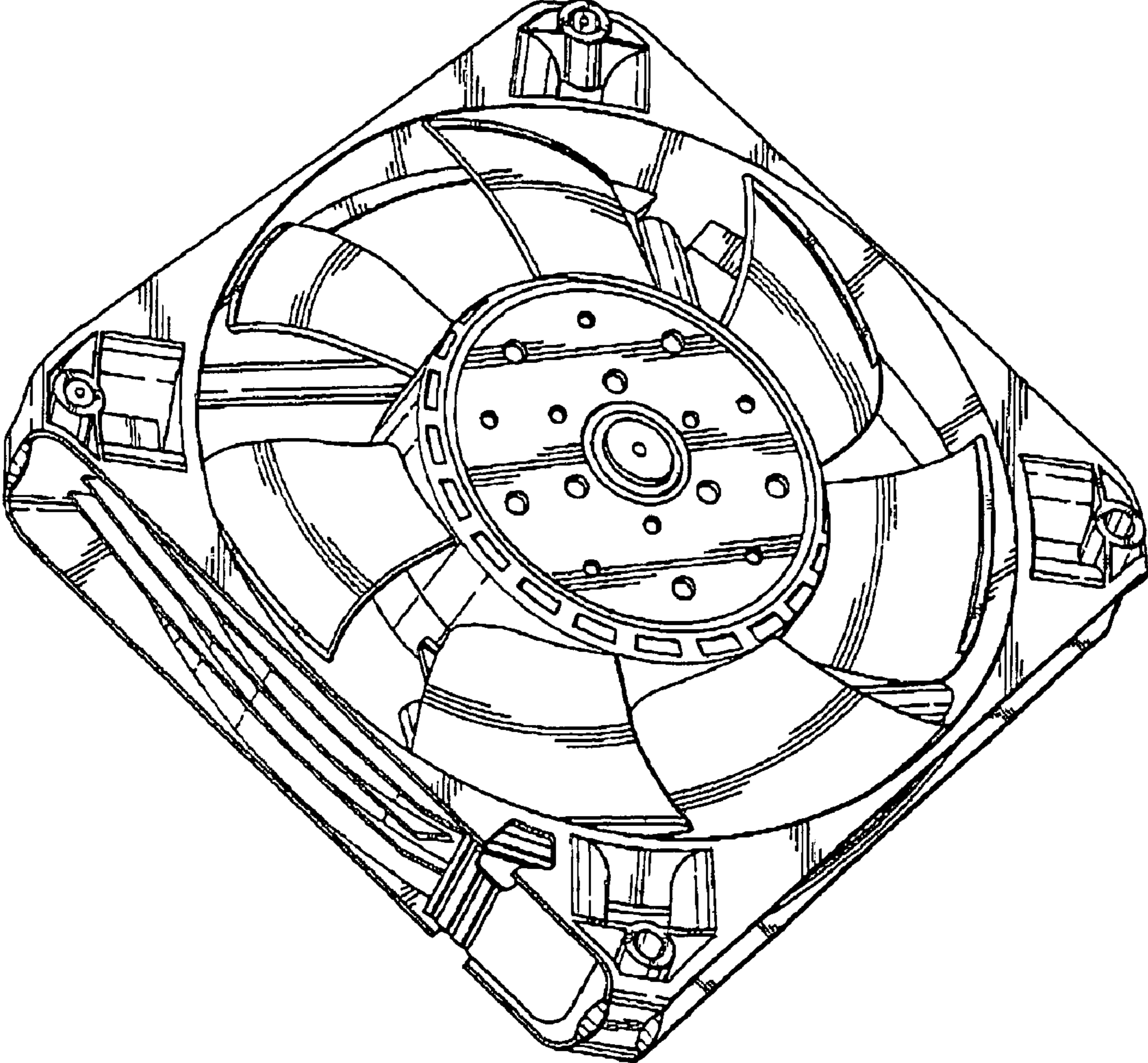


FIG. 15

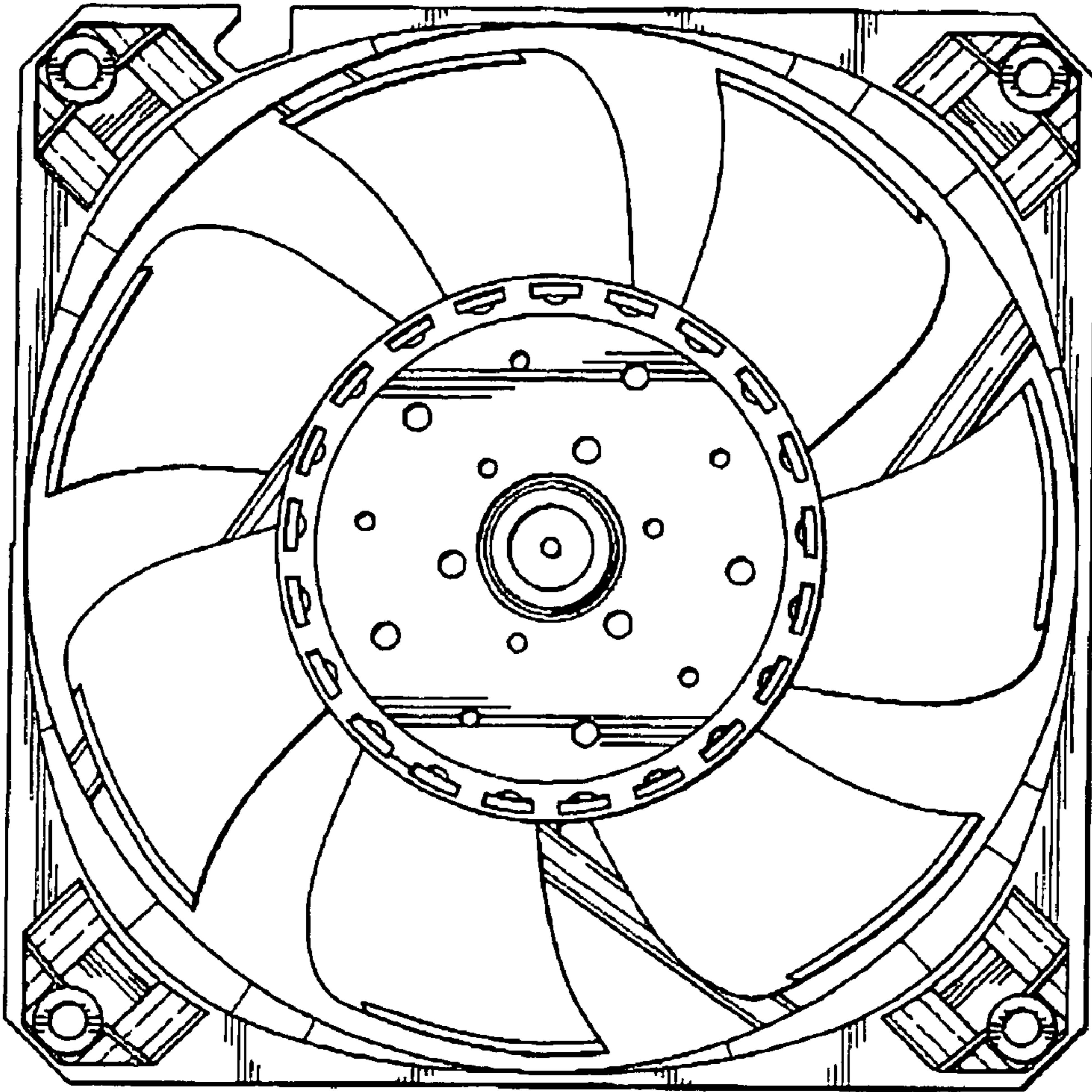


FIG. 16

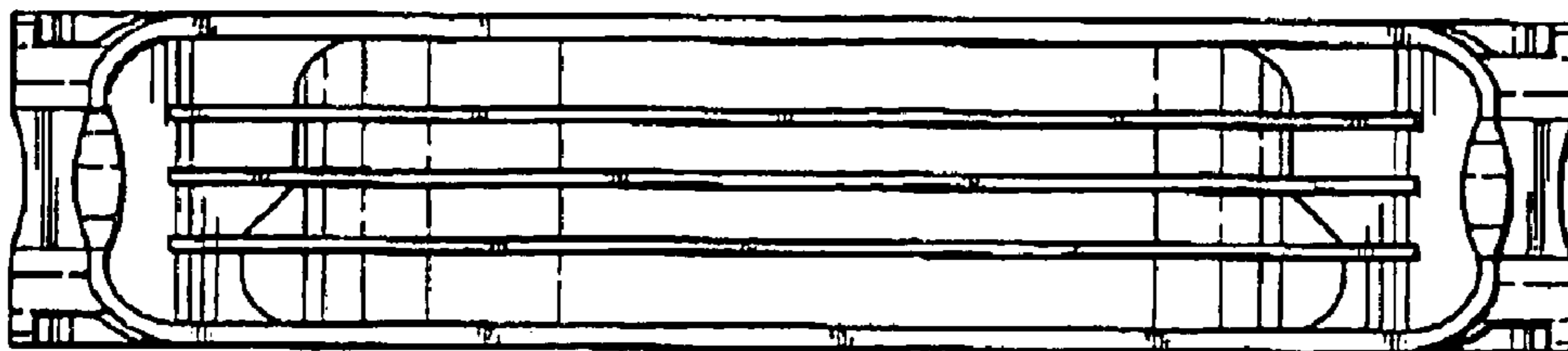


FIG. 17

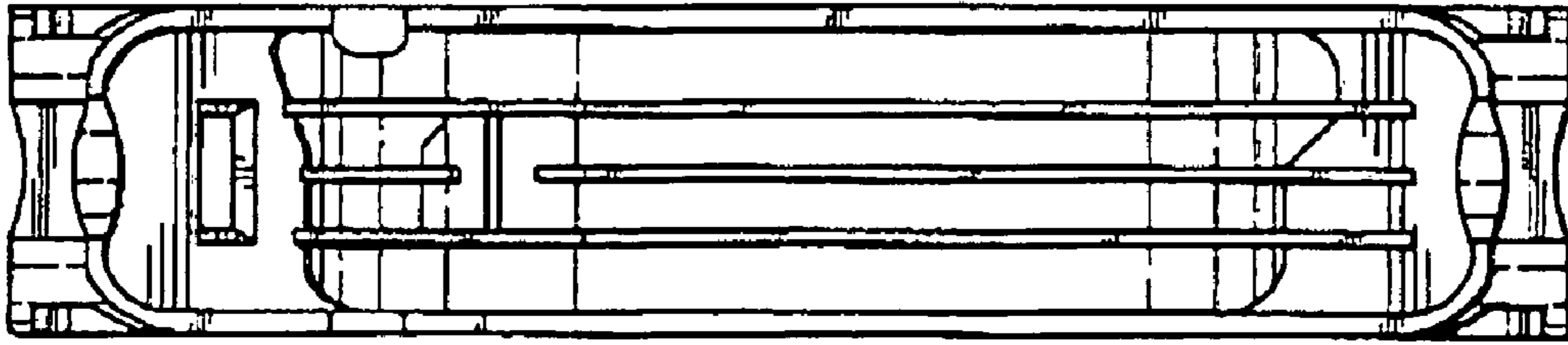


FIG. 18

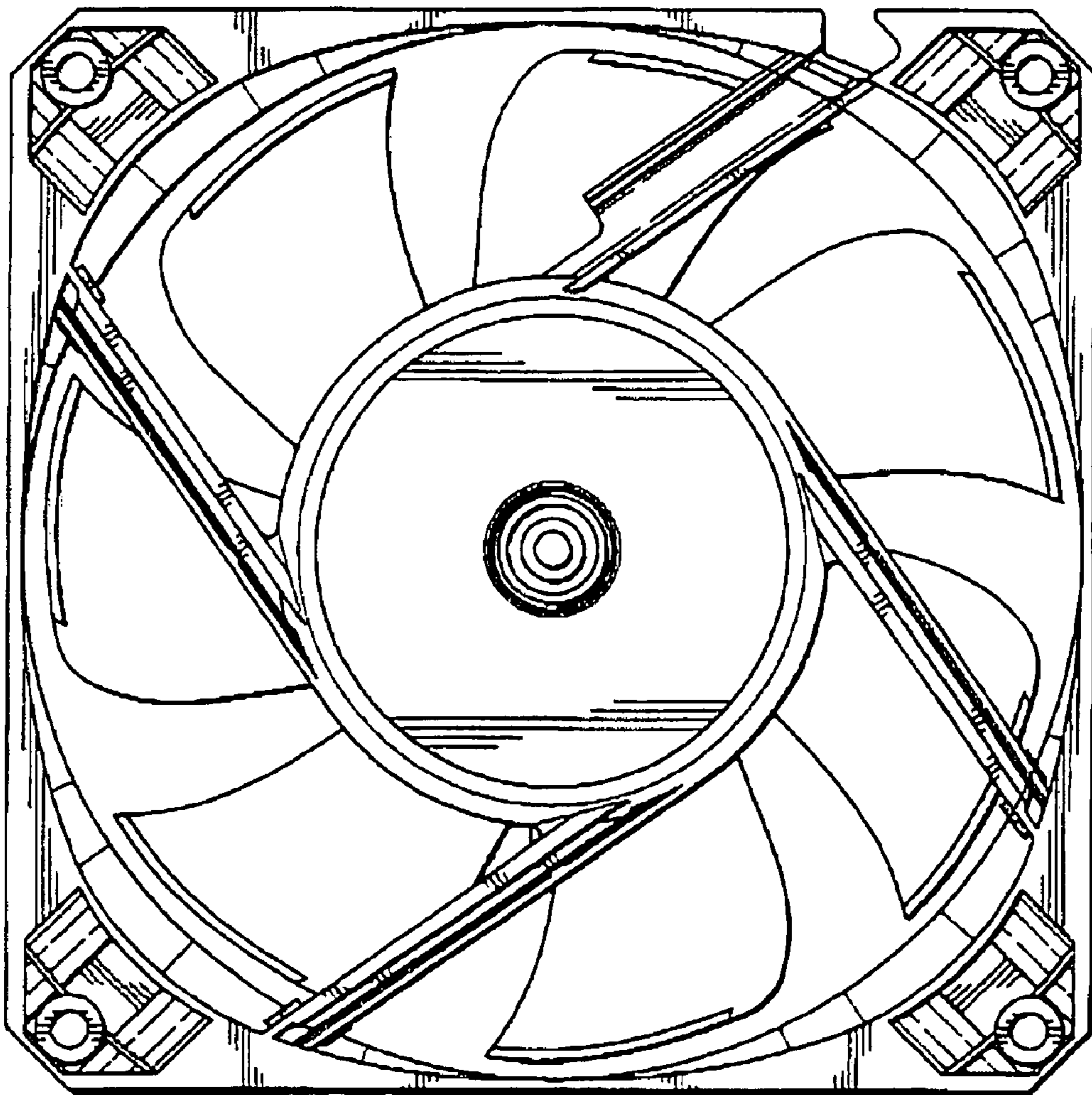


FIG. 19

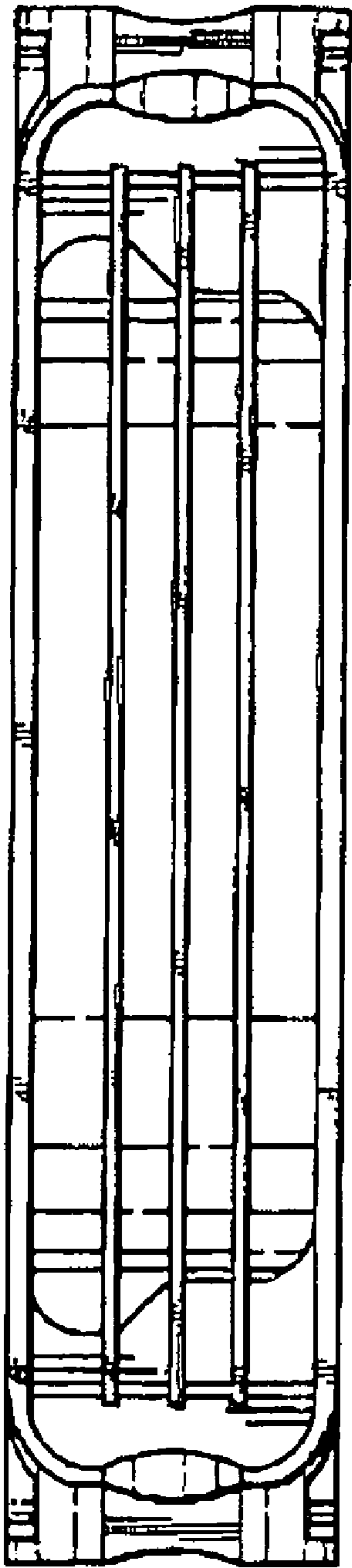


FIG. 20

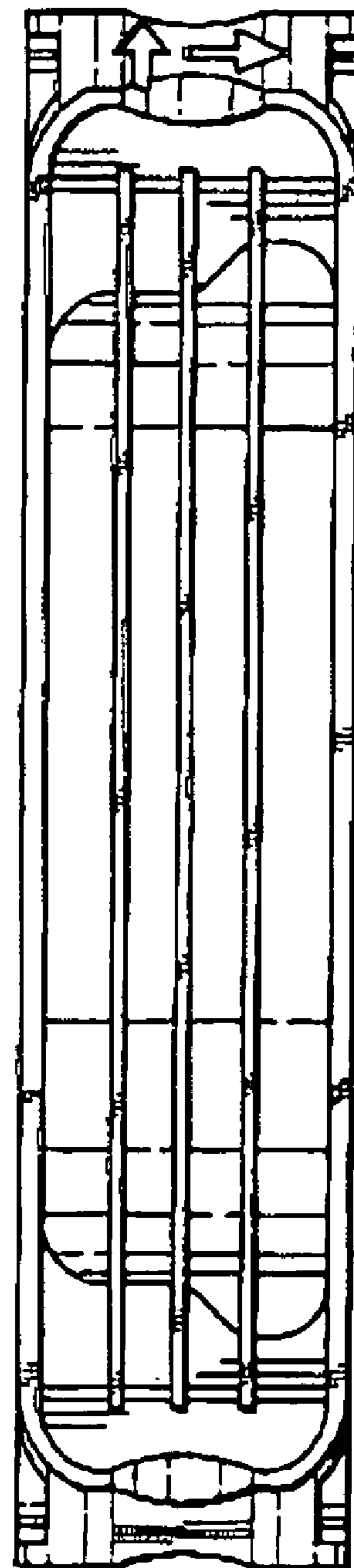


FIG. 21

UNITED STATES PATENT AND TRADEMARK OFFICE  
**CERTIFICATE OF CORRECTION**

PATENT NO. : Des. 562,781 S  
APPLICATION NO. : 29/240340  
DATED : February 26, 2008  
INVENTOR(S) : Jorg Teufel

Page 1 of 1

It is certified that error appears in the above-identified patent and that said Letters Patent is hereby corrected as shown below:

On Title page, under "Description" Figs. 1 second line, "motor" should be --rotor--

Signed and Sealed this

Eleventh Day of November, 2008

A handwritten signature in black ink that reads "Jon W. Dudas". The signature is written in a cursive style with a large, looped initial "J".

JON W. DUDAS  
*Director of the United States Patent and Trademark Office*