



US00D562780S

(12) **United States Design Patent**  
**Egea Soler**

(10) **Patent No.:** **US D562,780 S**

(45) **Date of Patent:** **\*\* Feb. 26, 2008**

- (54) **ELECTRICAL SWITCH PLATE**
- (75) Inventor: **Cristina Egea Soler**, Barcelona (ES)
- (73) Assignee: **Simon, S.A.**, Barcelona (ES)
- (\*\*) Term: **14 Years**
- (21) Appl. No.: **29/264,792**
- (22) Filed: **Aug. 17, 2006**
- (30) **Foreign Application Priority Data**  
Mar. 10, 2006 (ES) ..... 0502947

7,075,009 B1 \* 7/2006 Rohmer ..... 174/66  
 D535,572 S \* 1/2007 Takach et al. .... D10/50  
 D541,137 S \* 4/2007 Fabrizi ..... D8/353  
 D542,627 S \* 5/2007 Rohmer et al. .... D8/353

\* cited by examiner

*Primary Examiner*—Selina Sikder  
*Assistant Examiner*—Thomas J Johannes  
 (74) *Attorney, Agent, or Firm*—Michael J. Striker

- (51) **LOC (8) Cl.** ..... **13-03**
- (52) **U.S. Cl.** ..... **D13/177; D8/353**
- (58) **Field of Classification Search** ..... D13/125,  
D13/158–177, 184, 199; D8/353; 174/66;  
D10/40, 50; D14/126, 341, 374  
See application file for complete search history.

(57) **CLAIM**

The ornamental design for an electrical switch plate as, shown and described.

(56) **References Cited**

U.S. PATENT DOCUMENTS

- D187,226 S \* 2/1960 Collins ..... D13/177
- D327,212 S \* 6/1992 Hubben et al. .... D8/353
- D331,741 S \* 12/1992 Fujiyoshi ..... D13/169
- D331,742 S \* 12/1992 Fujiyoshi ..... D13/169
- D379,453 S \* 5/1997 Fabrizi ..... D13/177
- D394,042 S \* 5/1998 Hwang ..... D13/171
- D408,792 S \* 4/1999 Hwang ..... D13/171
- D461,113 S \* 8/2002 Aubert Capella ..... D8/353
- D461,393 S \* 8/2002 Aubert Capella ..... D8/353
- D493,695 S \* 8/2004 Wengrower ..... D8/353
- D509,151 S \* 9/2005 Takach et al. .... D10/80
- D511,675 S \* 11/2005 Holger ..... D8/353
- D520,885 S \* 5/2006 Takach et al. .... D10/50

**DESCRIPTION**

FIG. 1 is a perspective view of an electrical switch plate showing my new design;  
 FIG. 2 is a front view thereof which is an accurate representation of the rear view thereof;  
 FIG. 3 is a front view thereof;  
 FIG. 4 is a side view thereof, the opposite side being a mirror image;  
 FIG. 5 is a perspective view of a second embodiment of my new design;  
 FIG. 6 is a front view thereof which is a mirror image of a rear view thereof;  
 FIG. 7 is a front view thereof; and,  
 FIG. 8 is side view thereof, the opposite side being a mirror image.  
 The rear of each electrical switch plate is not visible in use.

**1 Claim, 2 Drawing Sheets**

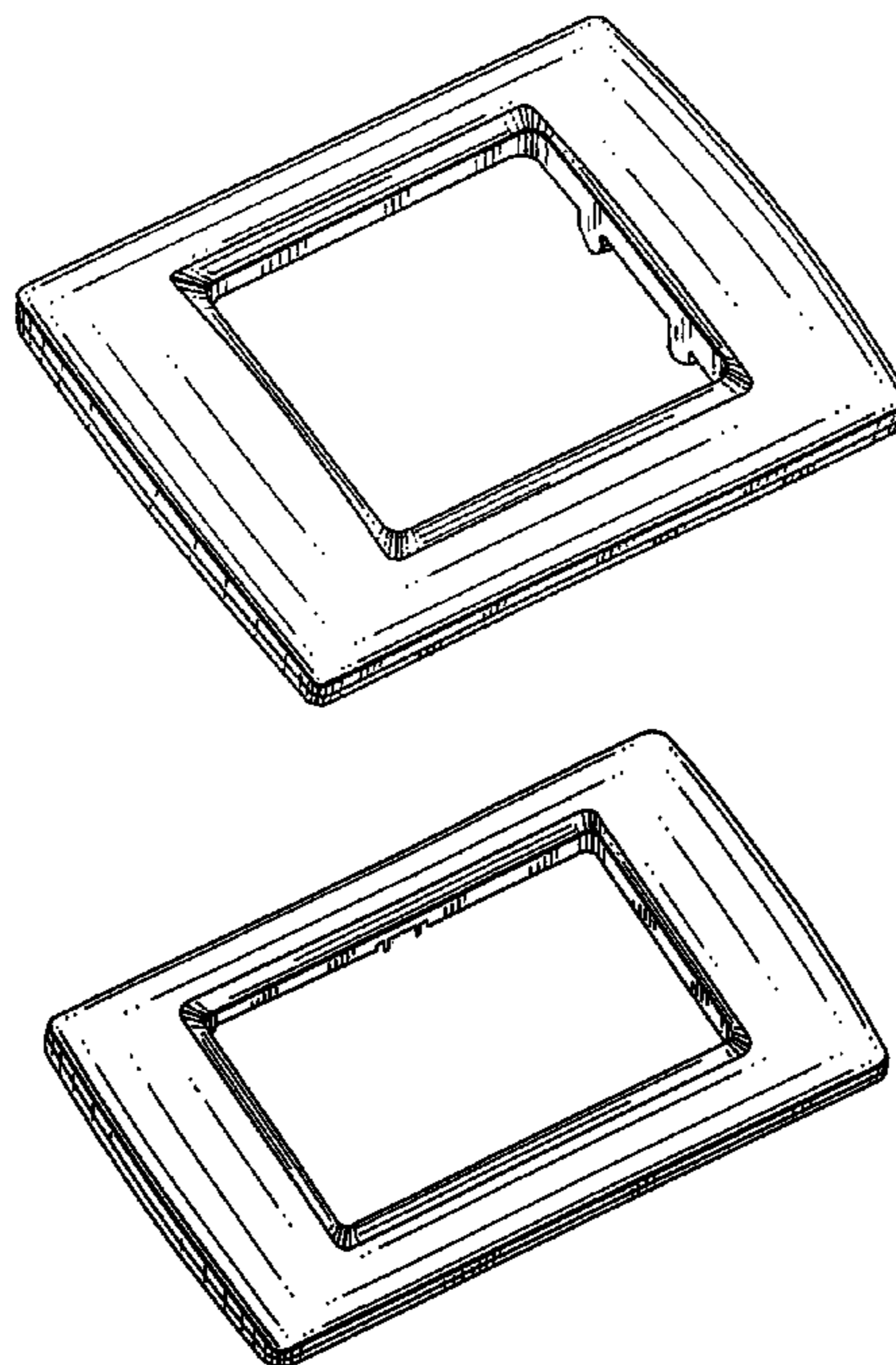


FIG. 1

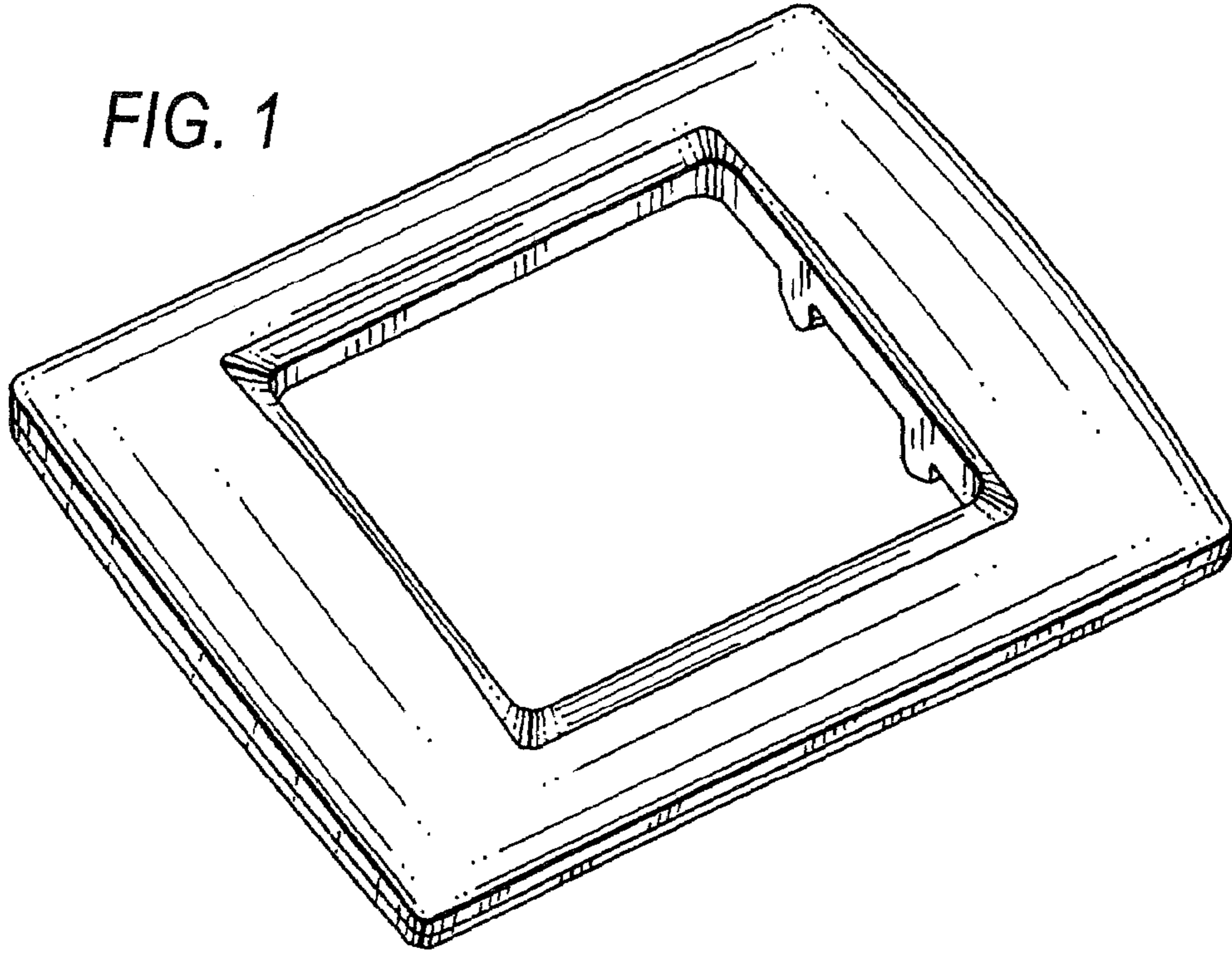


FIG. 2

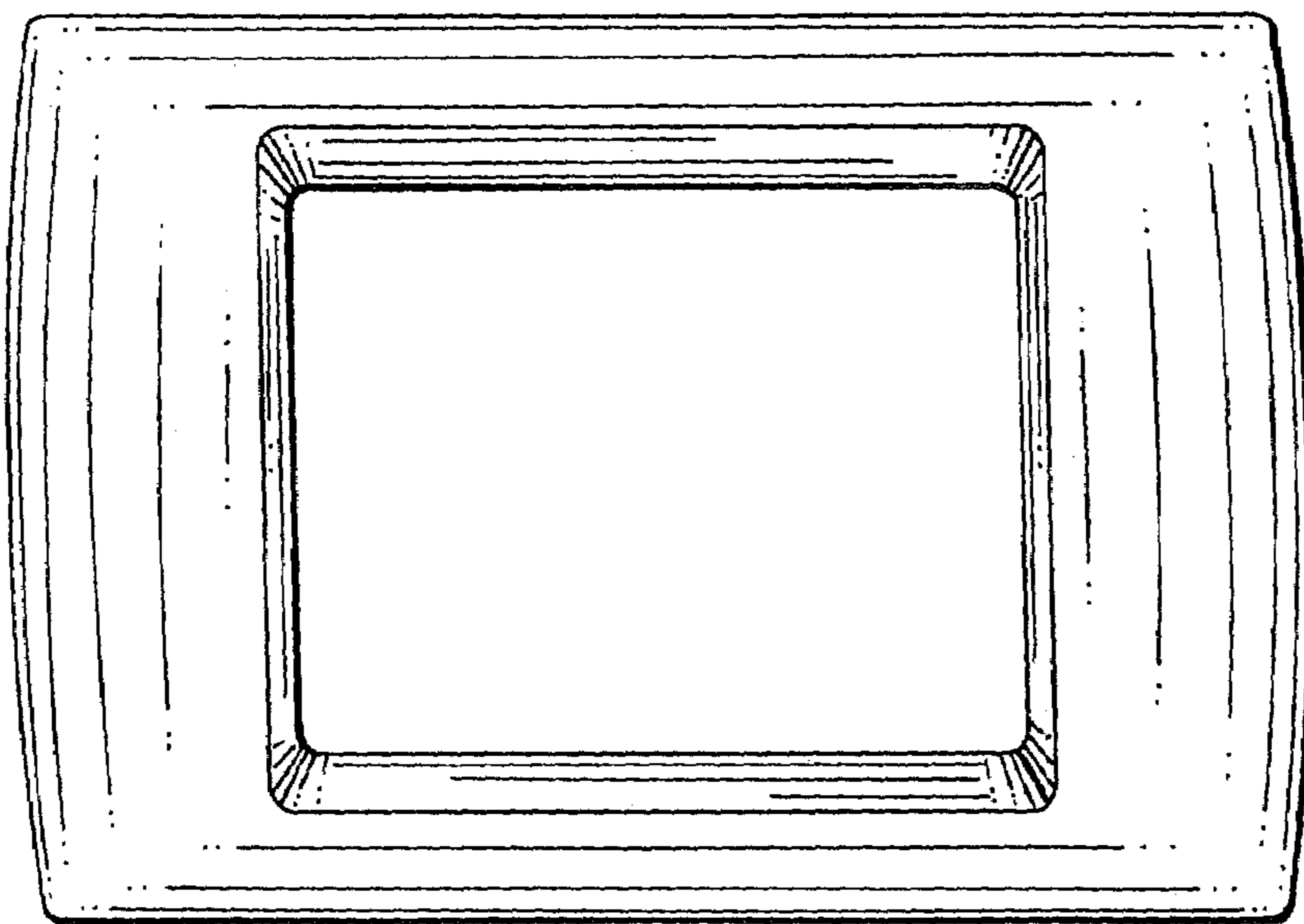


FIG. 3

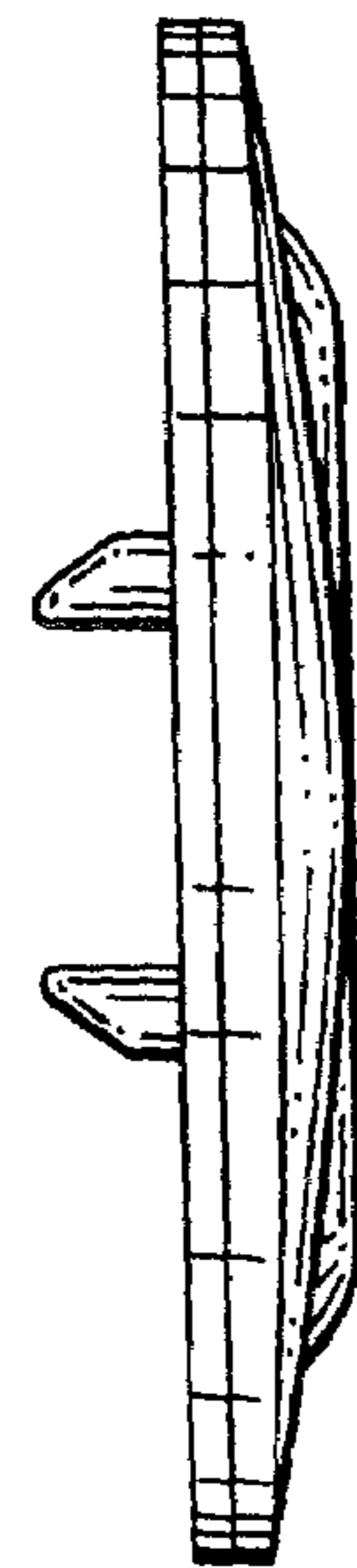
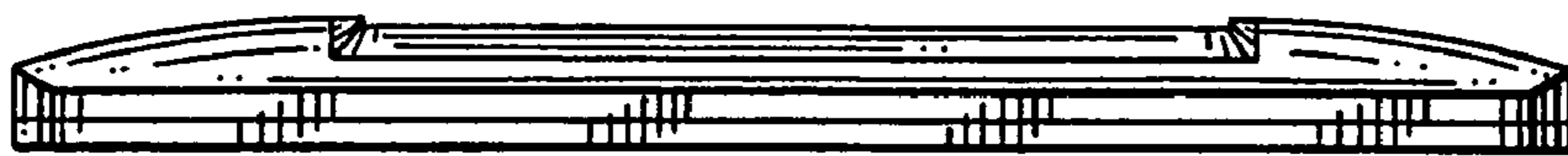
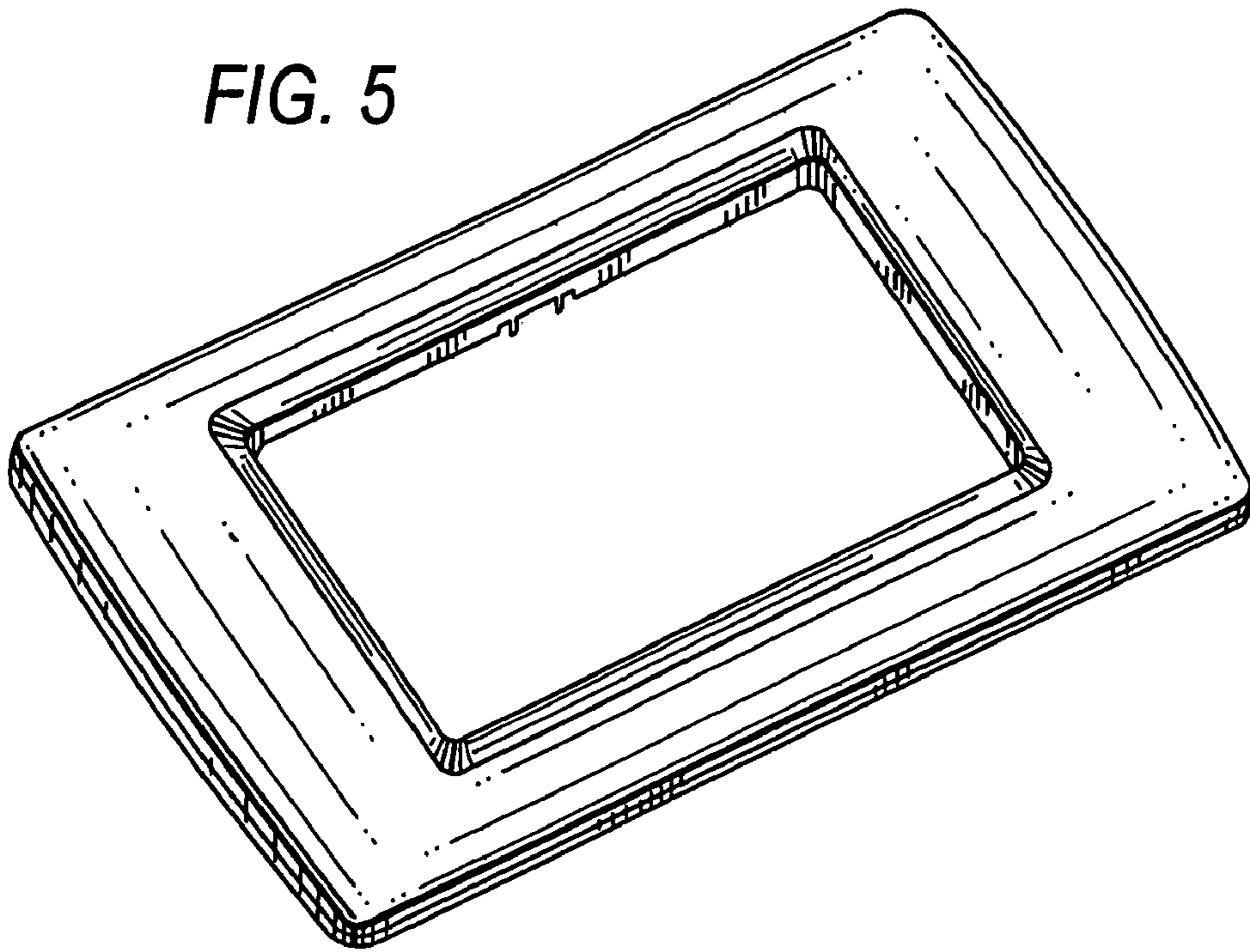
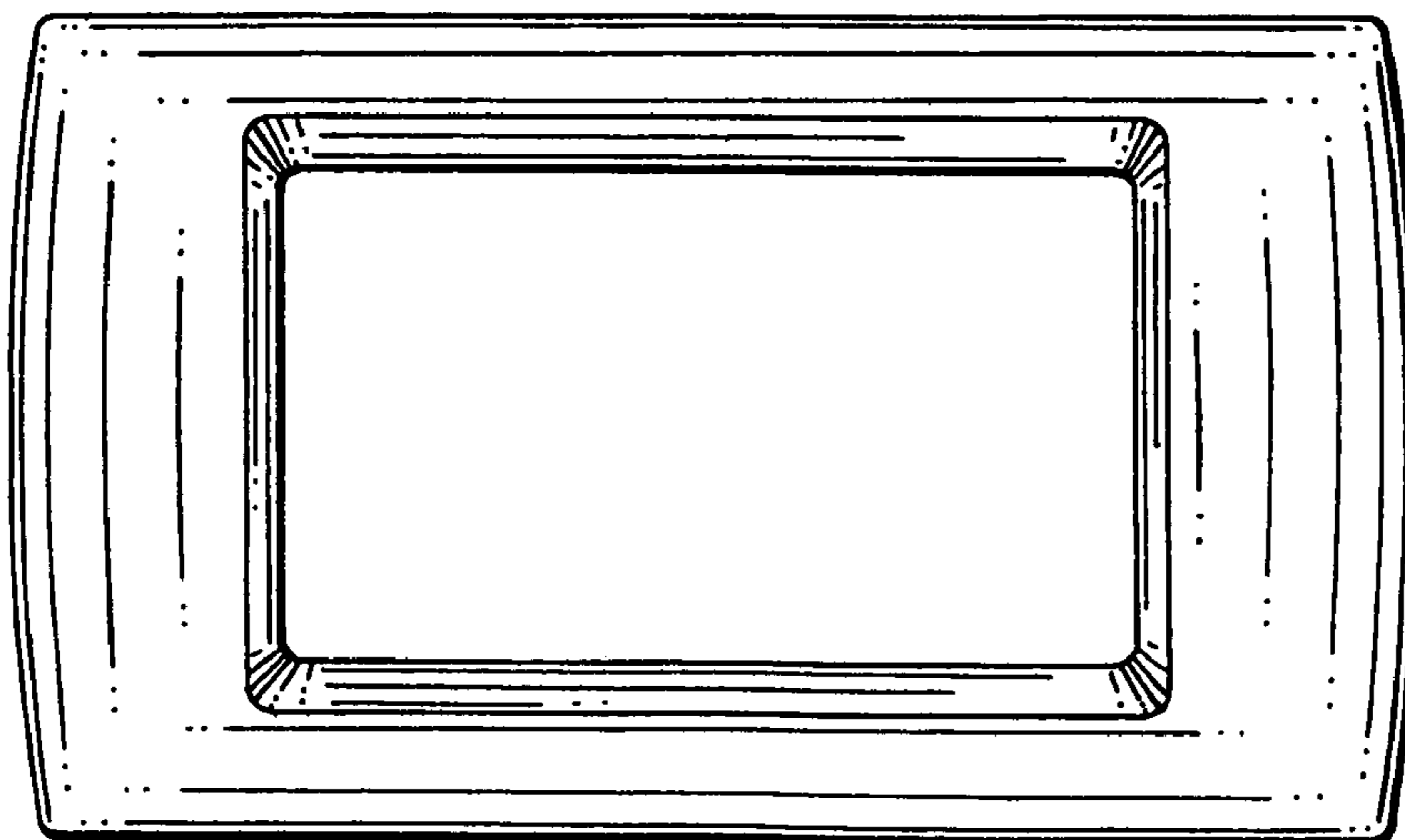


FIG. 4

*FIG. 5*



*FIG. 6*



*FIG. 7*



*FIG. 8*