

US00D562776S

(12) **United States Design Patent**
Osumi et al.

(10) **Patent No.:** **US D562,776 S**
(45) **Date of Patent:** **** Feb. 26, 2008**

(54) **GAS INSULATED SWITCHGEAR**
(75) Inventors: **Masanori Osumi**, Tokyo (JP); **Hitoshi Sadakuni**, Tokyo (JP); **Osamu Kisanuki**, Tokyo (JP); **Takuya Otsuka**, Tokyo (JP); **Yuki Hyodo**, Tokyo (JP); **Kiyoshi Sonoda**, Tokyo (JP); **Keiichiro Nakamura**, Tokyo (JP); **Yukinori Koike**, Tokyo (JP); **Katsuhiko Nakamura**, Tokyo (JP); **Hitoshi Taniguchi**, Tokyo (JP); **Naochika Yamamoto**, Tokyo (JP)

4,862,319 A * 8/1989 Suzuyama et al. 361/612
D321,508 S * 11/1991 Ramos D13/160
5,350,892 A * 9/1994 Rozier 218/119
6,573,469 B1 * 6/2003 Piazza 218/7
6,624,372 B1 * 9/2003 Ogawa et al. 218/71
6,683,267 B1 * 1/2004 Piazza et al. 218/2
6,784,392 B1 * 8/2004 Piazza et al. 218/7
D531,132 S * 10/2006 McCord et al. D13/158
D531,133 S * 10/2006 McCord et al. D13/158
2004/0037025 A1 * 2/2004 Abe 361/605
2006/0283841 A1 * 12/2006 Sologuren-Sanchez et al. .. 218/79

(73) Assignee: **Mitsubishi Electric Corporation**, Tokyo (JP)

(**) Term: **14 Years**

(21) Appl. No.: **29/267,460**

(22) Filed: **Oct. 16, 2006**

(30) **Foreign Application Priority Data**
Apr. 14, 2006 (JP) 2006-009696

(51) **LOC (8) Cl.** **13-03**

(52) **U.S. Cl.** **D13/158**

(58) **Field of Classification Search** D13/125,
D13/158-177, 182, 184; 218/2, 7, 71, 79,
218/119; 361/312

See application file for complete search history.

(56) **References Cited**

U.S. PATENT DOCUMENTS

4,379,957 A * 4/1983 Calvino 218/2

* cited by examiner

Primary Examiner—Selina Sikder

Assistant Examiner—Thomas J Johannes

(74) *Attorney, Agent, or Firm*—Sughrue Mion, Pllc.

(57) **CLAIM**

The ornamental design for a gas insulated switchgear, as shown and described.

DESCRIPTION

FIG. 1 is a front, top and left side perspective view of a gas insulated switchgear, showing our new design;

FIG. 2 is a front elevational view thereof;

FIG. 3 is a rear elevational view thereof;

FIG. 4 is a top plan view thereof;

FIG. 5 is a bottom plan view thereof;

FIG. 6 is a left side elevational view thereof; and,

FIG. 7 is a right side elevational view thereof.

1 Claim, 5 Drawing Sheets

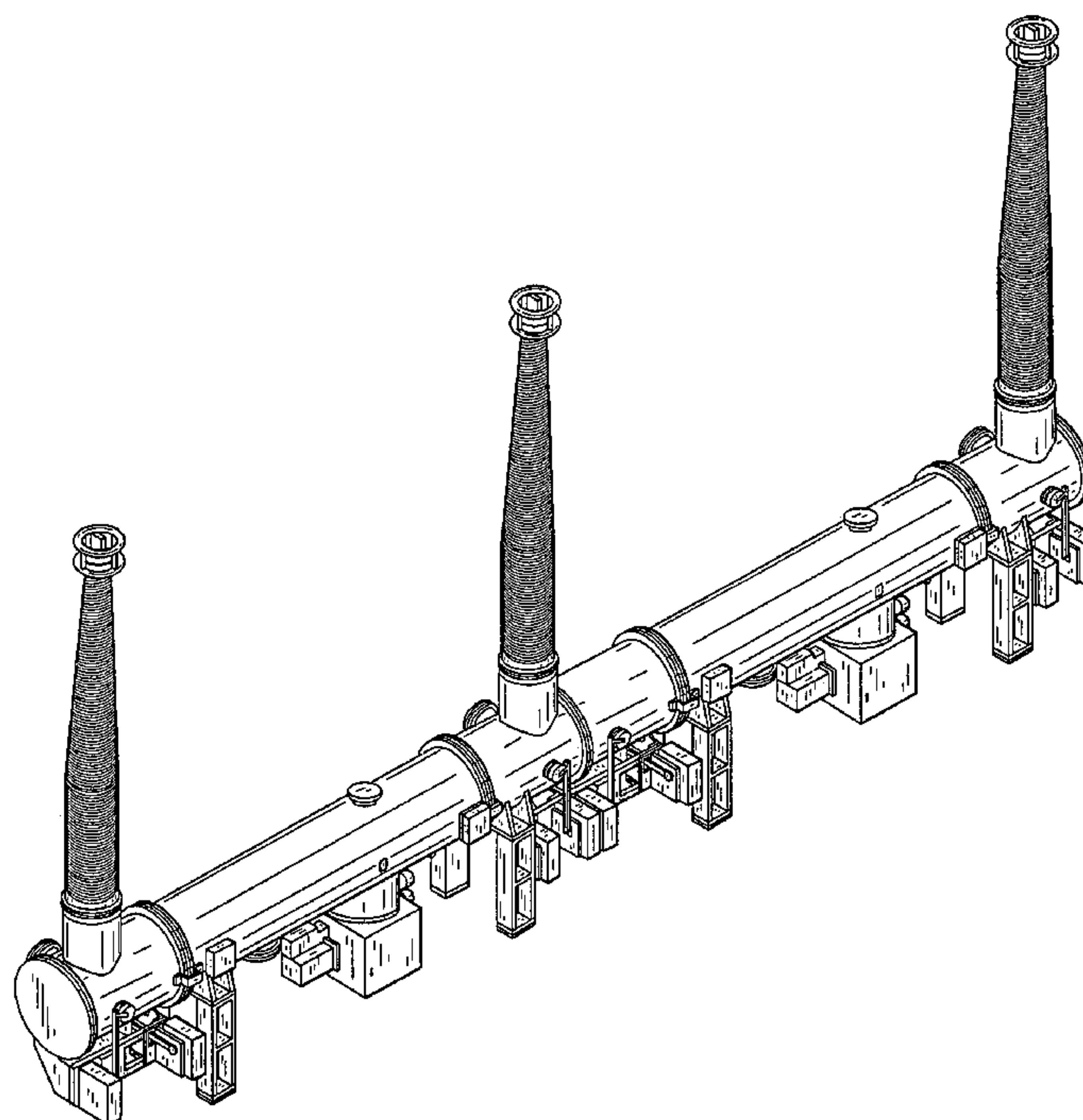


FIG. 1

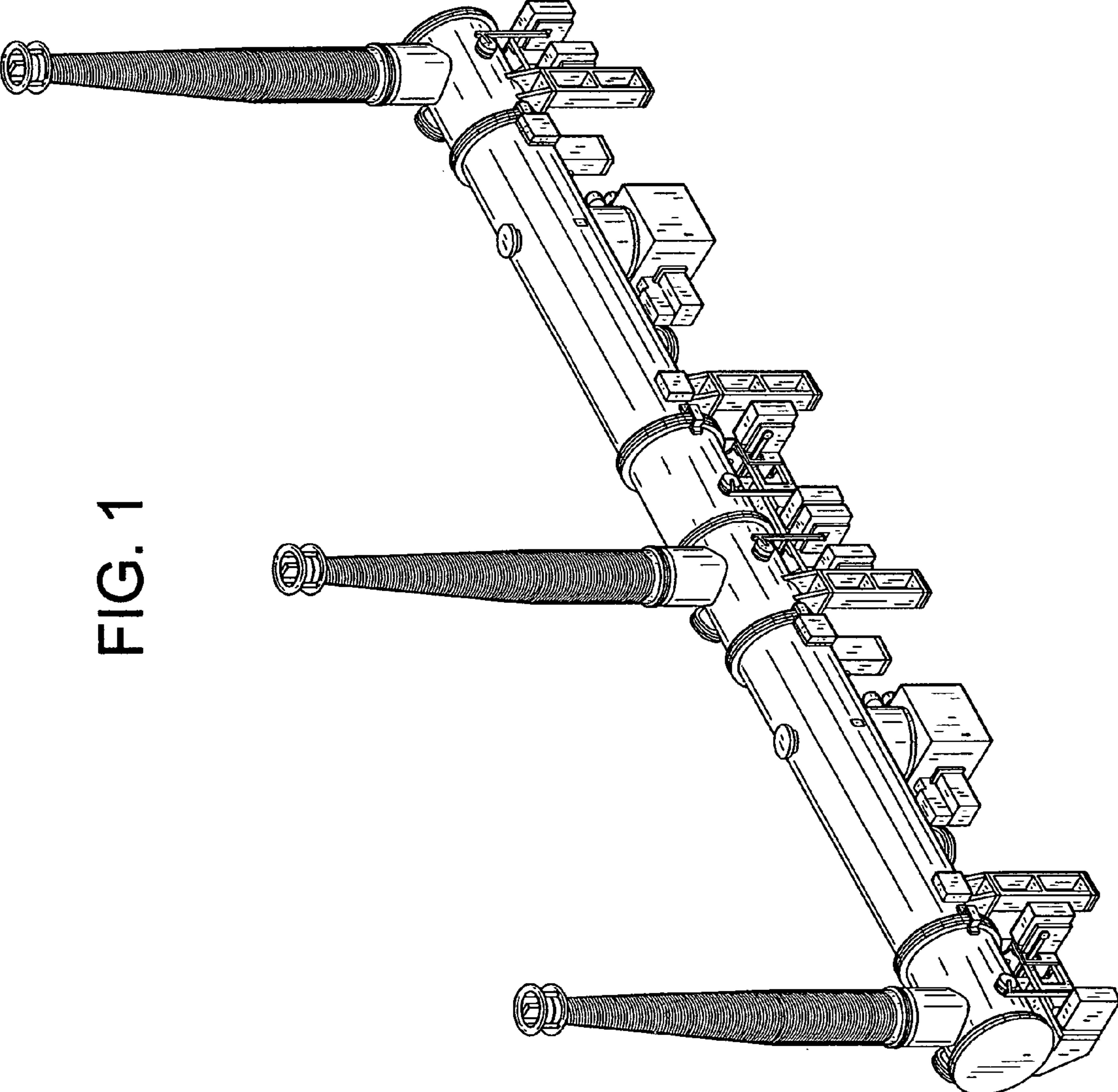


FIG. 2

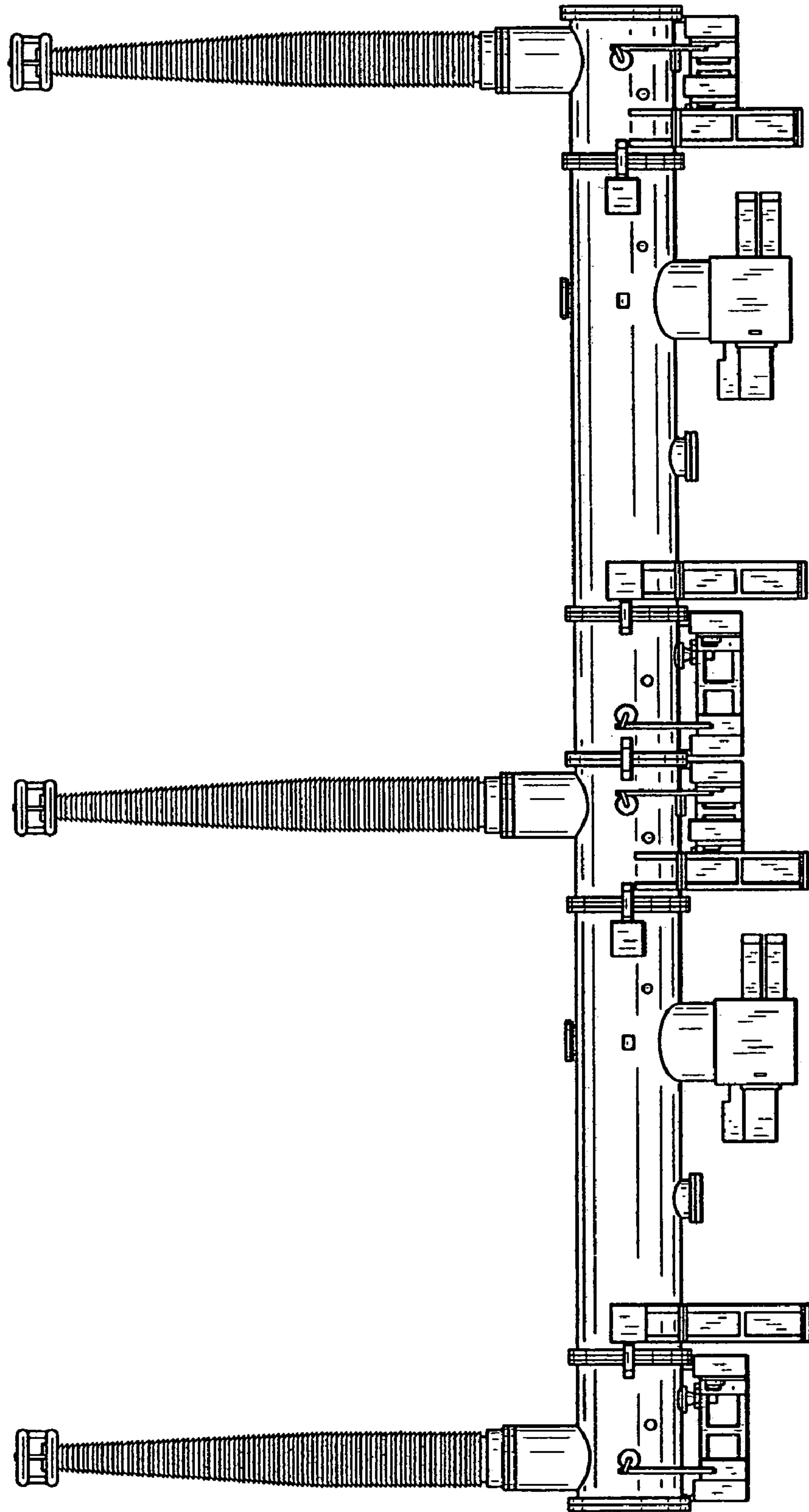


FIG. 3

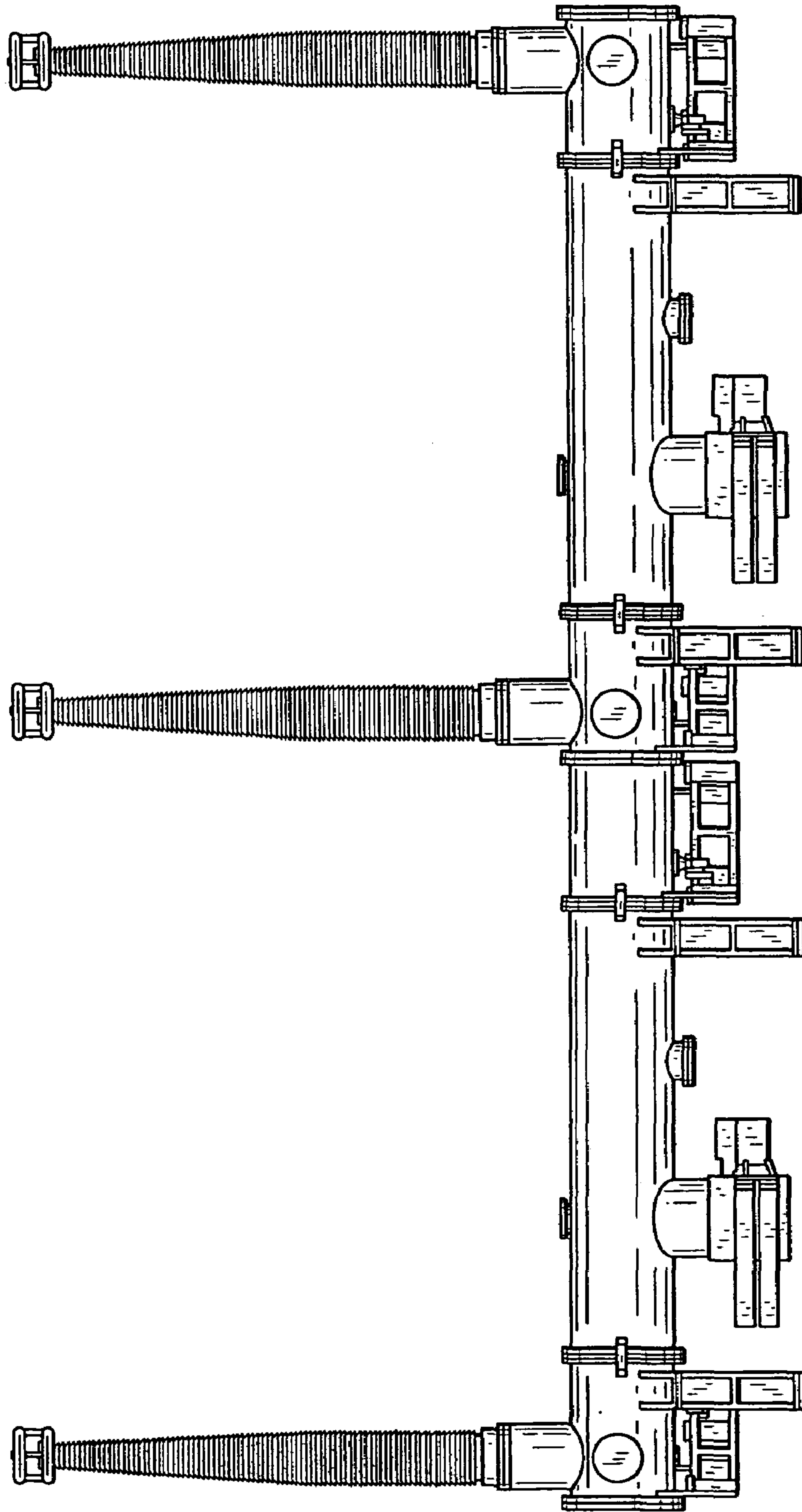


FIG. 4

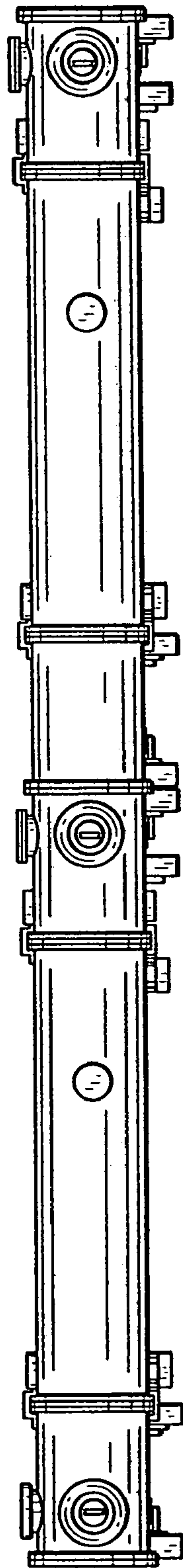


FIG. 5

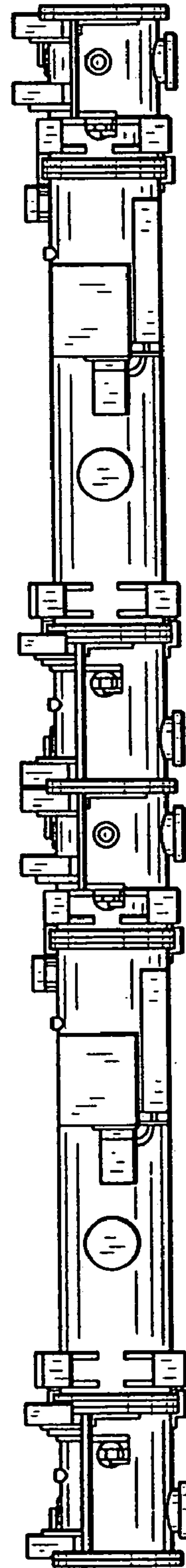


FIG. 7

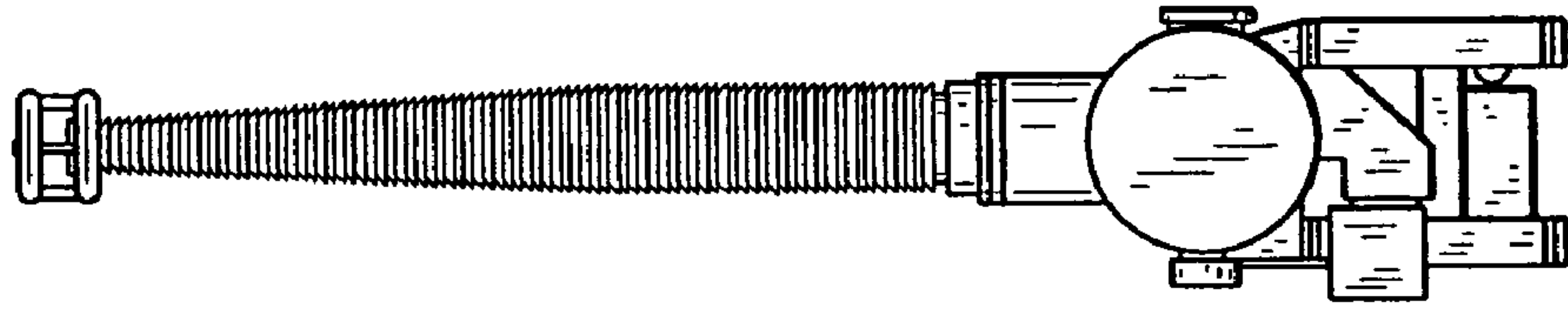


FIG. 6

