

US00D562773S

(12) **United States Design Patent**  
**Peng**

(10) **Patent No.:** **US D562,773 S**

(45) **Date of Patent:** **\*\* Feb. 26, 2008**

(54) **BOARD TO BOARD CONNECTOR**

(75) Inventor: **Yung-Chi Peng**, Tu-Cheng (TW)

(73) Assignee: **Cheng Uei Precision Industry Co., Ltd.**, Taipei Hsien (TW)

(\*\*) Term: **14 Years**

(21) Appl. No.: **29/274,690**

(22) Filed: **May 16, 2007**

(51) **LOC (8) Cl.** ..... **13-03**

(52) **U.S. Cl.** ..... **D13/147**

(58) **Field of Classification Search** ..... D13/133,  
D13/146-147, 154, 184; D14/432-433,  
D14/435-436, 438; 439/64, 79, 108, 260,  
439/159-160, 325-326, 329, 394-395, 607-610,  
439/629-630

See application file for complete search history.

(56) **References Cited**

**U.S. PATENT DOCUMENTS**

- D453,734 S \* 2/2002 Shimoyama et al. .... D13/147
- D501,448 S \* 2/2005 Ishikawa ..... D13/147
- 7,090,508 B1 \* 8/2006 Chen ..... 439/74
- D528,987 S \* 9/2006 Peng ..... D13/147

- D539,225 S \* 3/2007 Kishi et al. .... D13/147
- D544,447 S \* 6/2007 Peng et al. .... D13/147
- 2004/0185690 A1 \* 9/2004 Huang ..... 439/74
- 2005/0042924 A1 \* 2/2005 Zhang et al. .... 439/607
- 2007/0020966 A1 \* 1/2007 Lee et al. .... 439/74

\* cited by examiner

*Primary Examiner*—Daniel Bui

(74) *Attorney, Agent, or Firm*—Rosenberg, Klein & Lee

(57) **CLAIM**

The ornamental design for a board-to-board connector, as shown and described.

**DESCRIPTION**

FIG. 1 is a perspective view of a board-to-board connector showing my new design;

FIG. 2 is a front elevational view thereof;

FIG. 3 is a rear elevational view thereof;

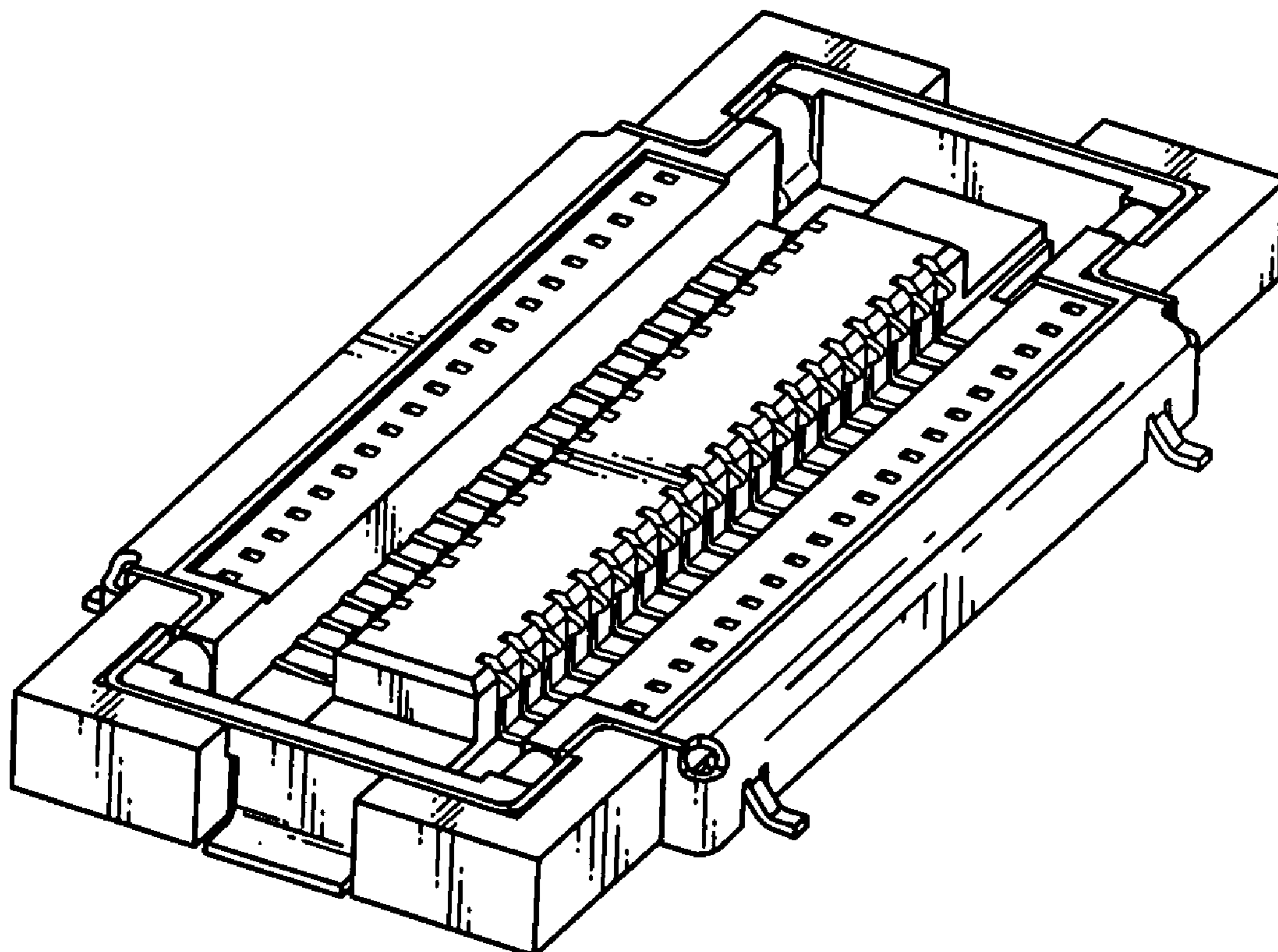
FIG. 4 is a left side elevational view thereof;

FIG. 5 is a right side elevational view thereof;

FIG. 6 is a top plan view thereof; and,

FIG. 7 is a bottom plan view thereof.

**1 Claim, 7 Drawing Sheets**



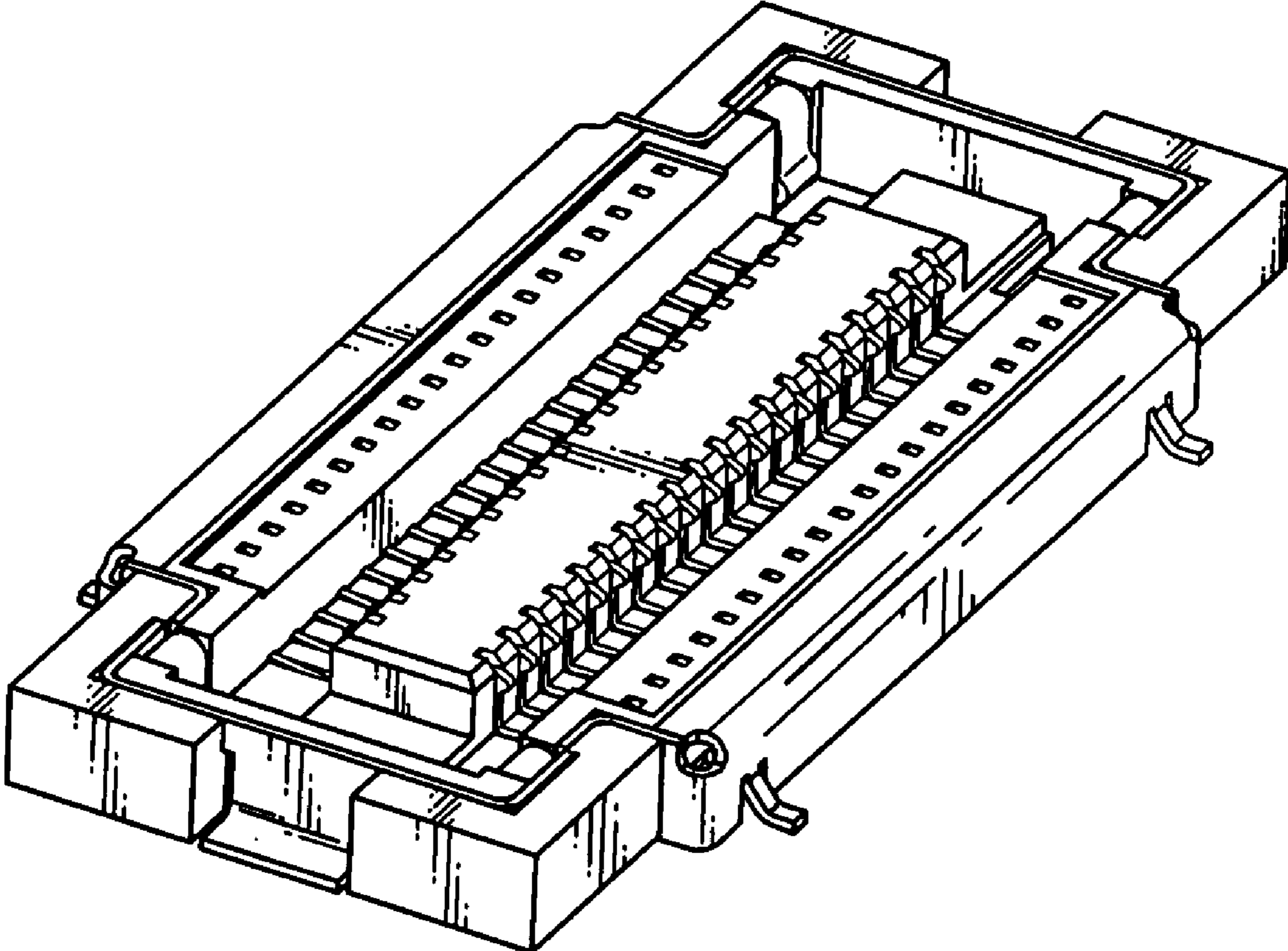


FIG. 1



FIG. 2

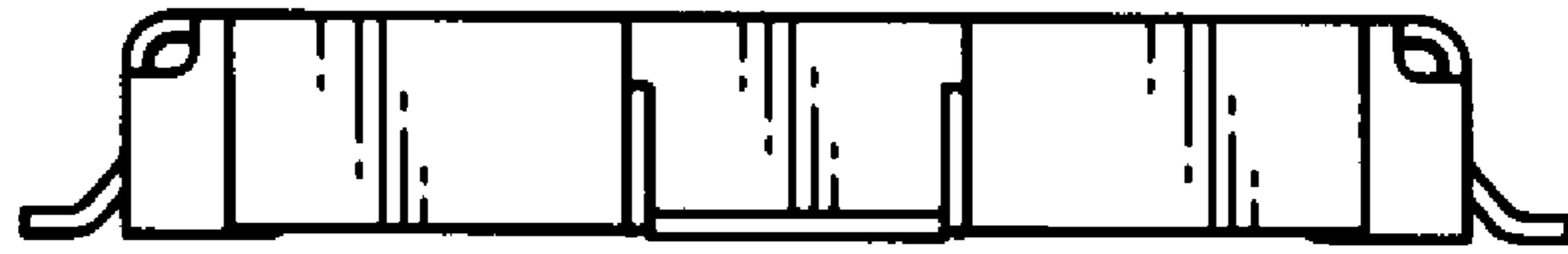


FIG. 3



FIG. 4

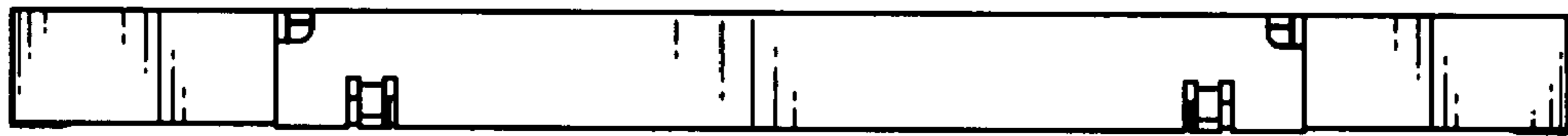


FIG. 5

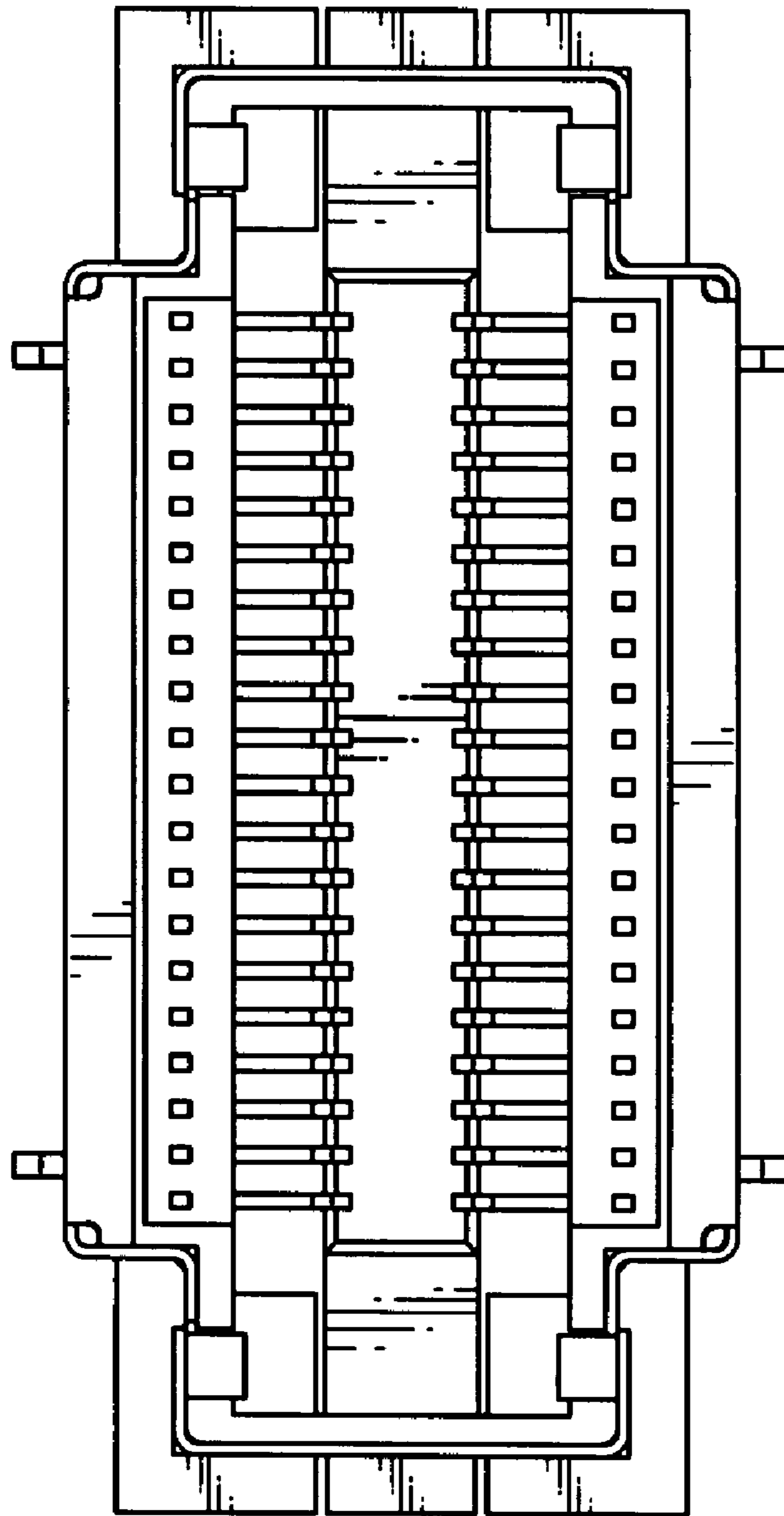


FIG. 6

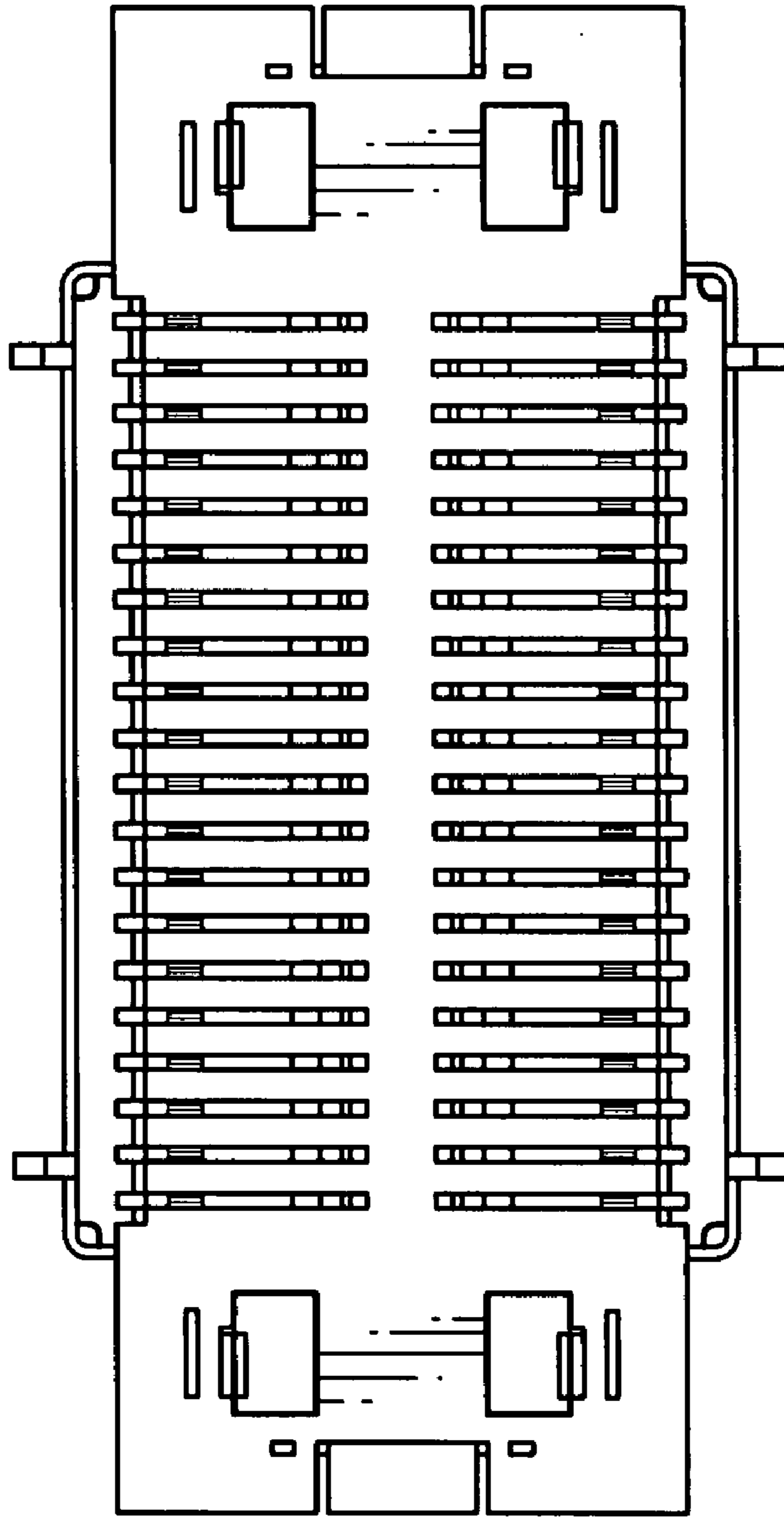


FIG. 7