

US00D562772S

(12) **United States Design Patent**  
**Konno et al.**

(10) **Patent No.:** **US D562,772 S**

(45) **Date of Patent:** **\*\* Feb. 26, 2008**

(54) **CONNECTOR FOR MEMORY CARD**

(75) Inventors: **Takeshi Konno**, Tokyo (JP); **Katsuhiko Hori**, Tokyo (JP); **Makoto Watanabe**, Tokyo (JP)

(73) Assignee: **Mitsumi Electric Co., Ltd.**, Tokyo (JP)

(\*\*) Term: **14 Years**

(21) Appl. No.: **29/274,116**

(22) Filed: **Mar. 29, 2007**

(30) **Foreign Application Priority Data**

Nov. 24, 2006 (JP) ..... 2006-032132

(51) **LOC (8) Cl.** ..... **13-03**

(52) **U.S. Cl.** ..... **D13/147**

(58) **Field of Classification Search** ..... D13/133,  
D13/146-147, 154, 184; D14/432-435,  
D14/436-438; 361/684-685; 439/64, 79,  
439/159-160, 330-331, 341-342, 607-610,  
439/629-630, 636, 660, 773, 862  
See application file for complete search history.

(56) **References Cited**

**U.S. PATENT DOCUMENTS**

6,655,973 B2 \* 12/2003 Ji et al. .... 439/159  
6,899,565 B2 \* 5/2005 Kodera et al. .... 439/607  
D523,860 S \* 6/2006 Xu et al. .... D14/436  
D544,841 S \* 6/2007 Nishio et al. .... D13/147  
D547,727 S \* 7/2007 Sasaki ..... D13/147

2003/0199199 A1 \* 10/2003 Machihara et al. .... 439/630  
2004/0266237 A1 \* 12/2004 Kodera et al. .... 439/159  
2005/0136744 A1 \* 6/2005 Kato et al. .... 439/630  
2005/0186817 A1 \* 8/2005 Yang et al. .... 439/159  
2006/0166532 A1 \* 7/2006 Tsai ..... 439/159

\* cited by examiner

*Primary Examiner*—Daniel Bui  
(74) *Attorney, Agent, or Firm*—Sughrue Mion, PLLC

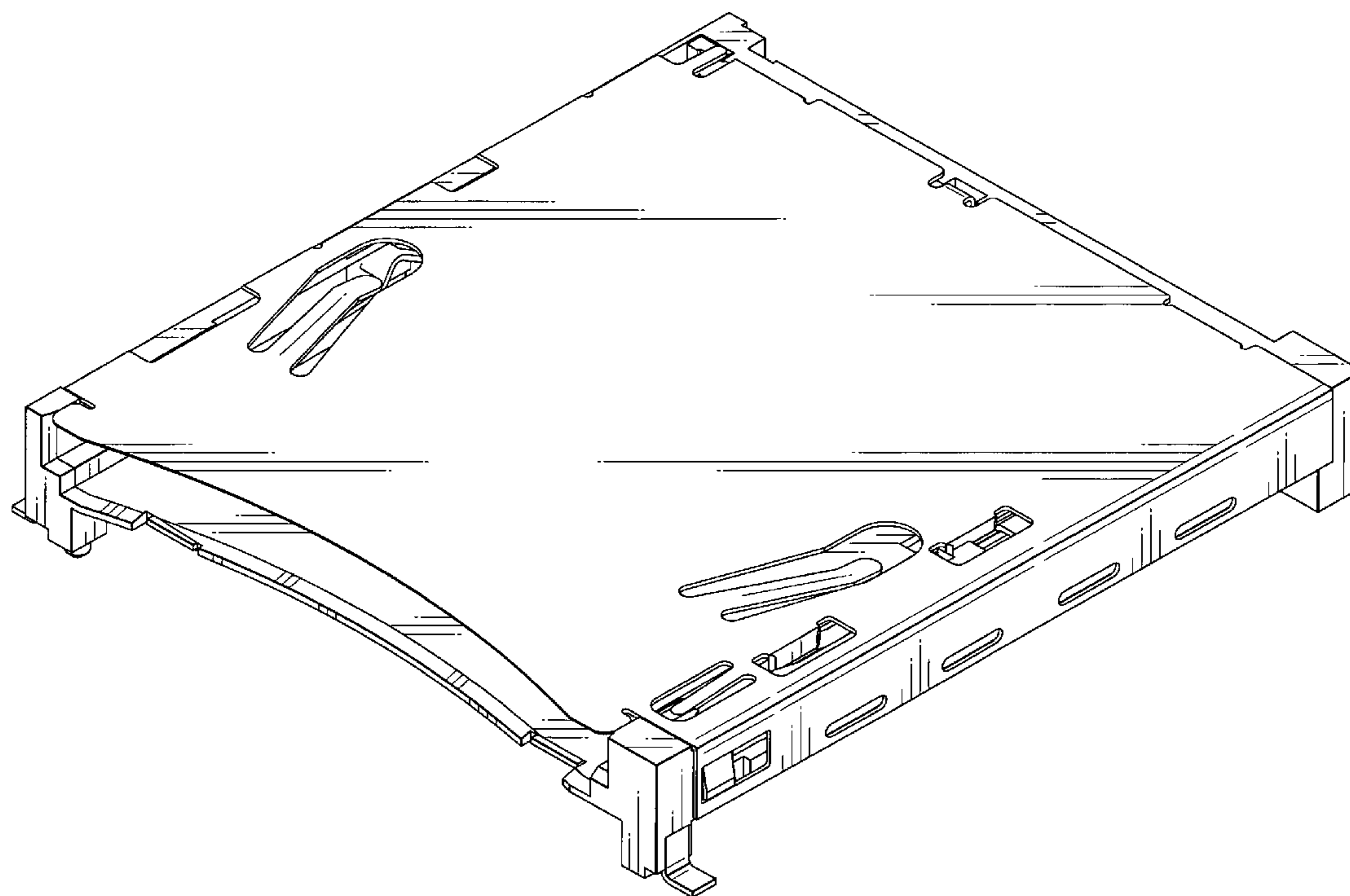
(57) **CLAIM**

The ornamental design for a connector for memory card, as shown.

**DESCRIPTION**

FIG. 1 is a perspective view of the top, front and right side of a connector for memory card showing our new design; FIG. 2 is a front elevational view thereof; FIG. 3 is a rear elevational view thereof; FIG. 4 is a right side elevational view thereof; FIG. 5 is a left side elevational view thereof; FIG. 6 is a top plan view thereof; FIG. 7 is a bottom plan view thereof; FIG. 8 is a perspective view of the top, rear and right side thereof; and, FIG. 9 is a perspective view of the bottom, rear and right side thereof.

**1 Claim, 6 Drawing Sheets**



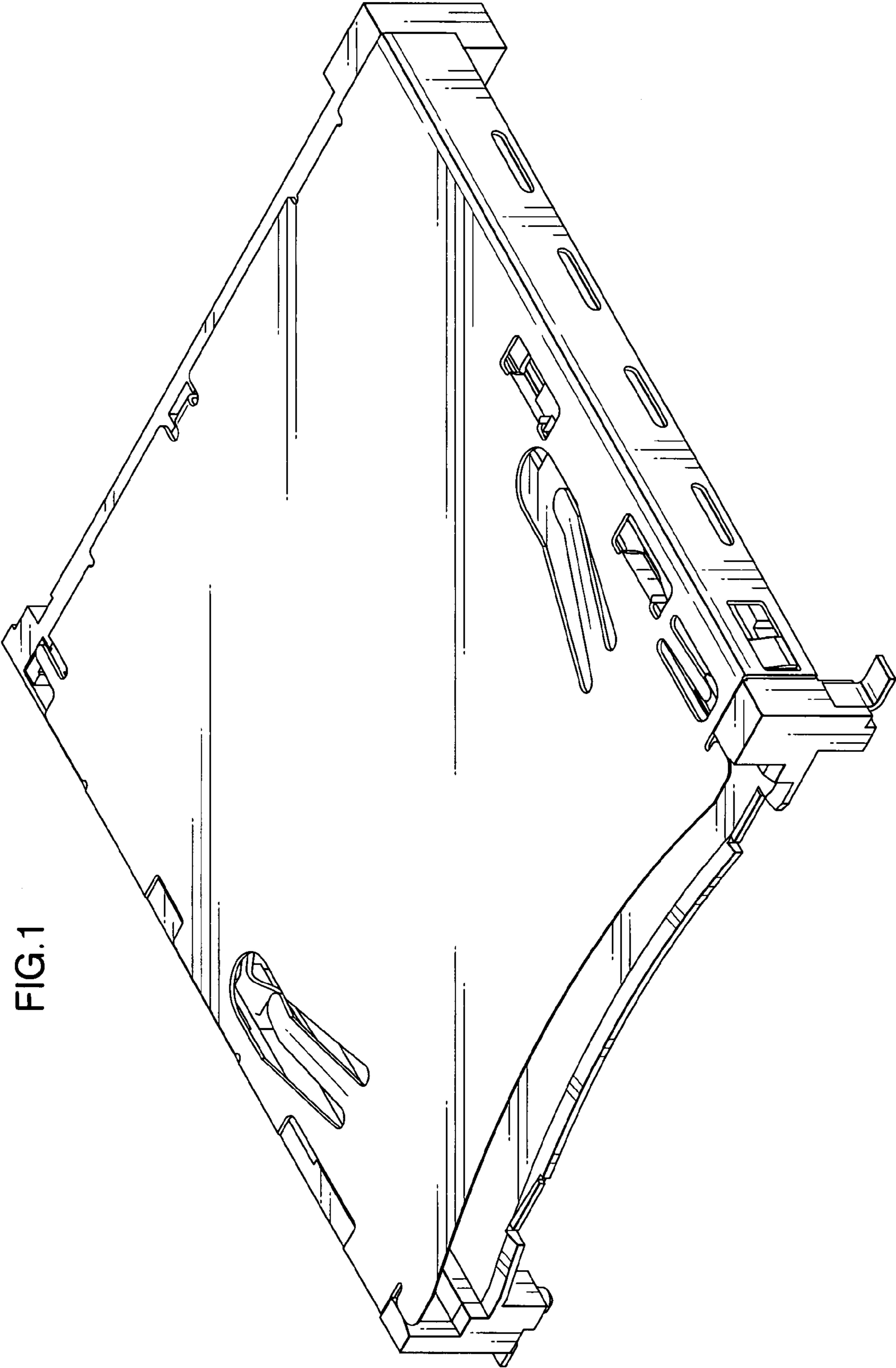


FIG.1

FIG.2

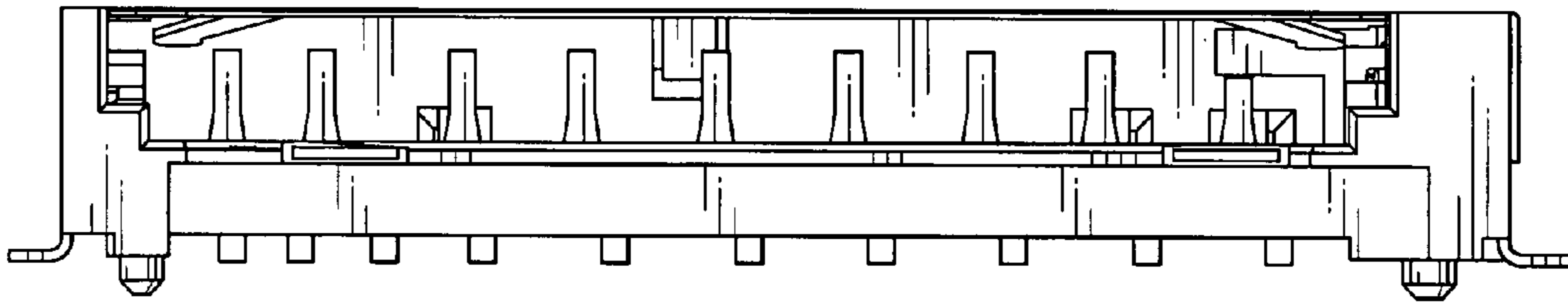


FIG.3

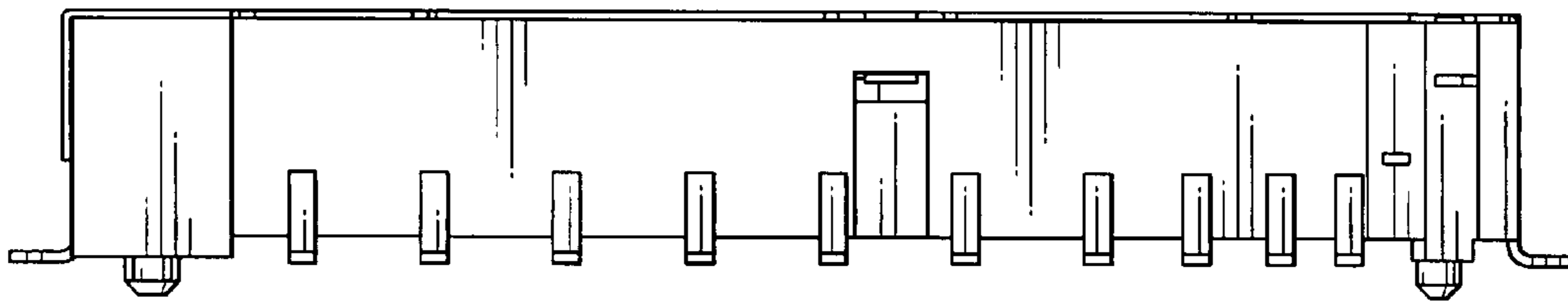


FIG.4

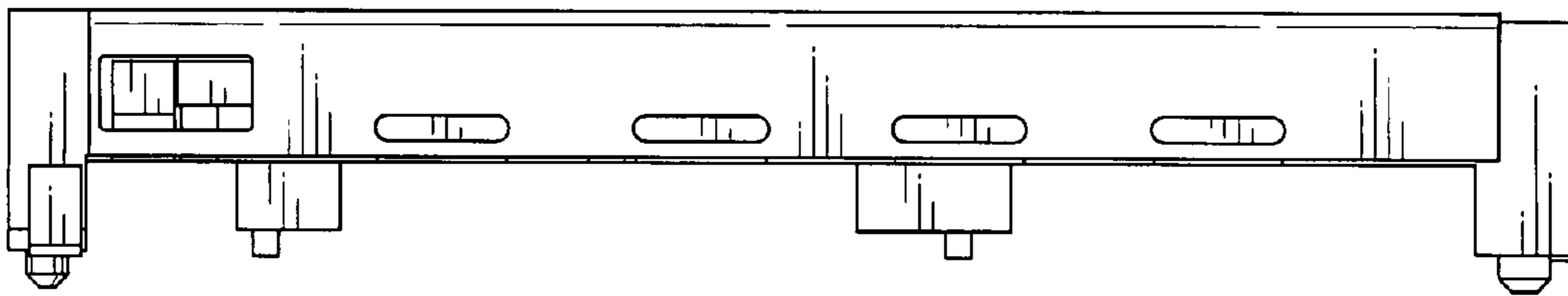


FIG.5



FIG.6

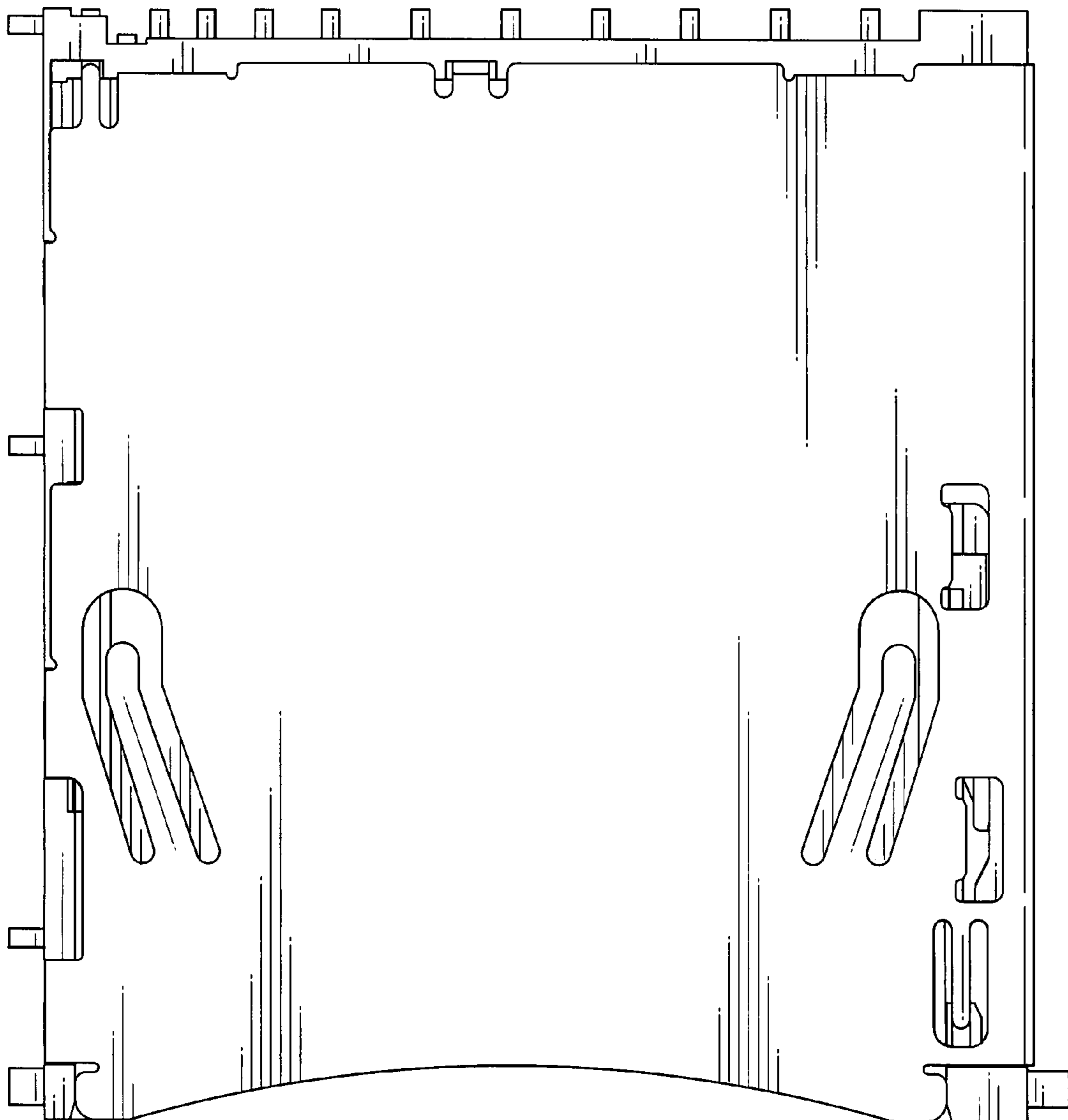
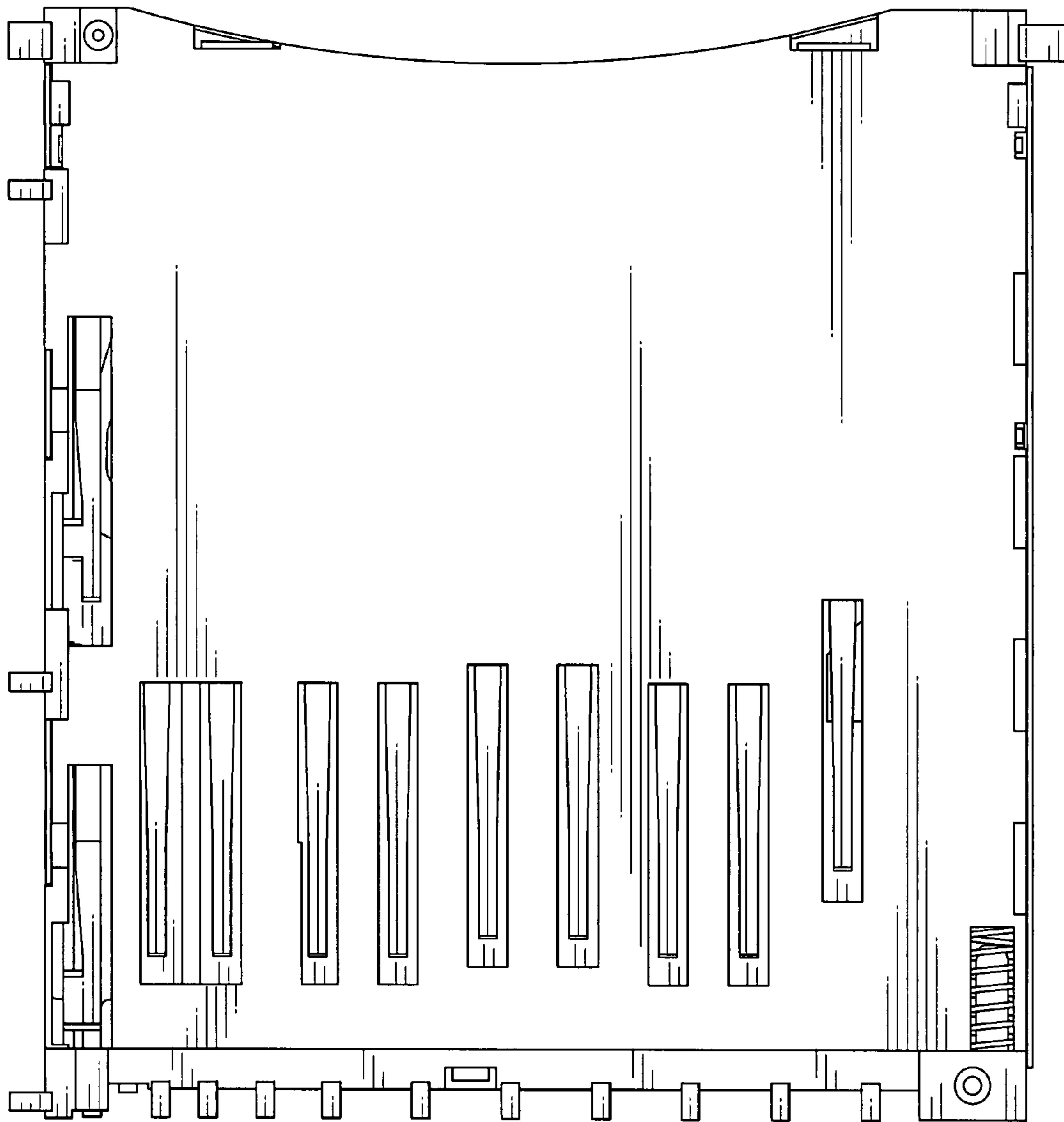


FIG.7



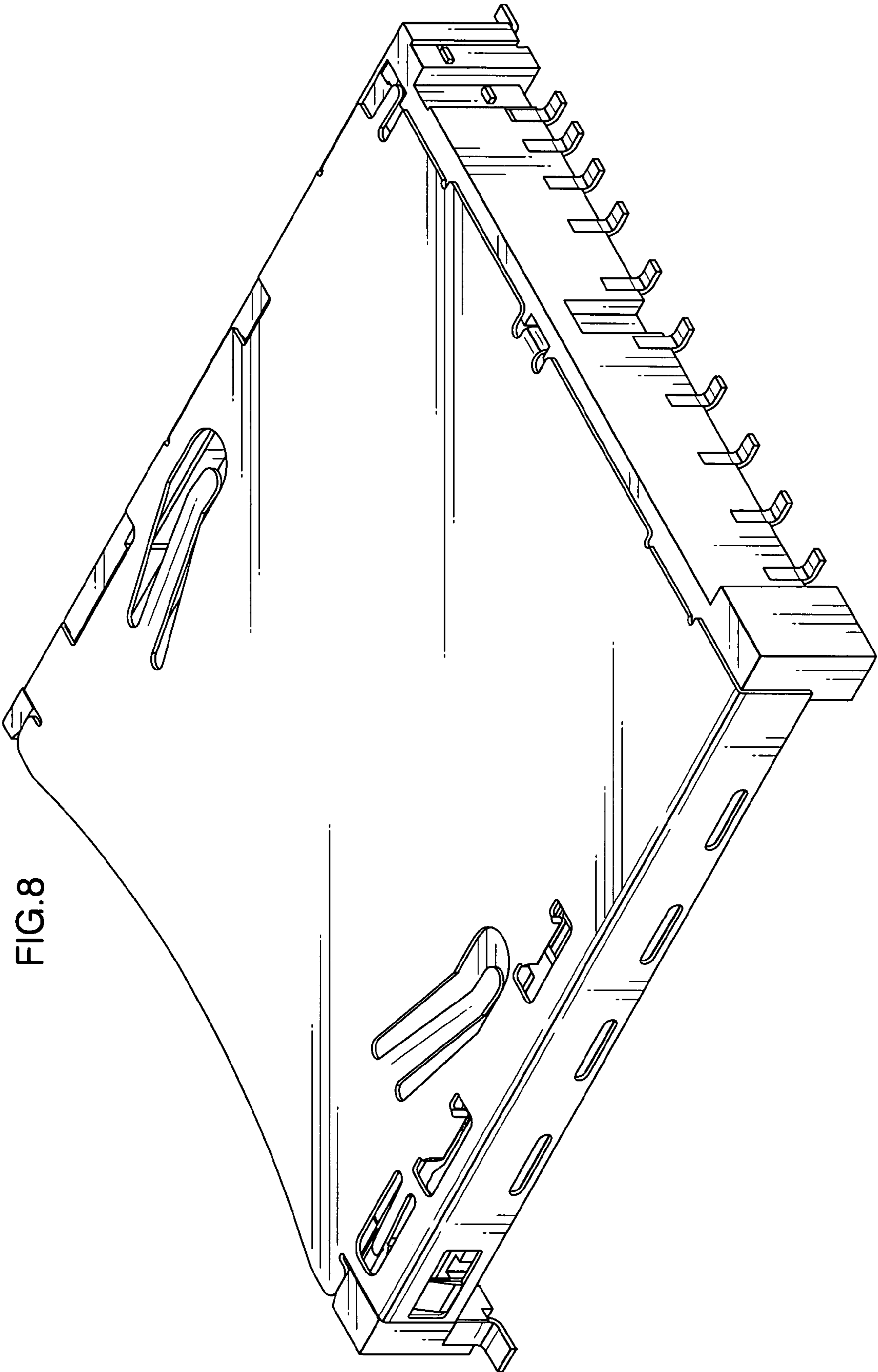


FIG.8

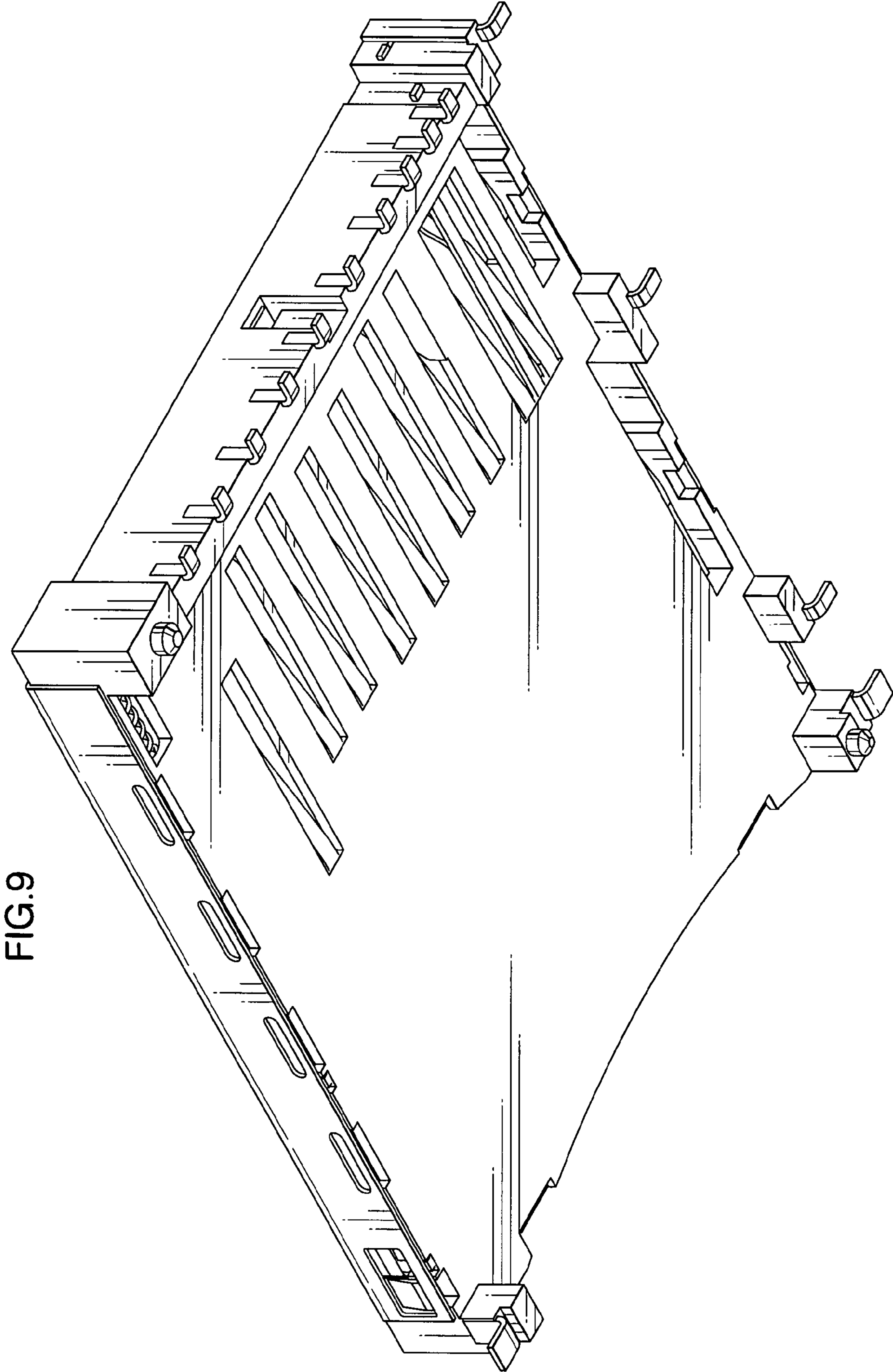


FIG.9