



US00D562771S

(12) **United States Design Patent**  
**Nagata**

(10) **Patent No.:** **US D562,771 S**

(45) **Date of Patent:** **\*\* Feb. 26, 2008**

(54) **CONNECTOR**

(75) Inventor: **Takayuki Nagata, Yao (JP)**

(73) Assignee: **Hosiden Corporation, Yao-shi (JP)**

(\*\*) Term: **14 Years**

(21) Appl. No.: **29/273,537**

(22) Filed: **Mar. 8, 2007**

(30) **Foreign Application Priority Data**

Sep. 12, 2006 (JP) ..... 2006-024303

(51) **LOC (8) Cl.** ..... **13-03**

(52) **U.S. Cl.** ..... **D13/147**

(58) **Field of Classification Search** ..... D13/133,  
D13/146-147, 154, 184; D14/432-433,  
D14/435-436, 438; 439/64, 79, 108, 260,  
439/159-160, 325-326, 329, 394-395, 607-610,  
439/629-630

See application file for complete search history.

(56) **References Cited**

**U.S. PATENT DOCUMENTS**

|                |         |               |       |         |
|----------------|---------|---------------|-------|---------|
| D293,432 S *   | 12/1987 | Masuda        | ..... | D13/147 |
| D378,208 S *   | 2/1997  | Saito         | ..... | D13/147 |
| D517,989 S *   | 3/2006  | Kimura et al. | ..... | D13/147 |
| D533,506 S *   | 12/2006 | Peng          | ..... | D13/147 |
| D537,043 S *   | 2/2007  | Nagata        | ..... | D13/147 |
| D537,415 S *   | 2/2007  | Nagata        | ..... | D13/147 |
| 7,207,842 B1 * | 4/2007  | Kenjo         | ..... | 439/607 |

2006/0258227 A1\* 11/2006 Ookura ..... 439/660  
2007/0010110 A1\* 1/2007 One et al. .... 439/74

\* cited by examiner

*Primary Examiner*—Daniel Bui

(74) *Attorney, Agent, or Firm*—Kratz, Quintos & Hanson, LLP

(57) **CLAIM**

The ornamental design for a connector, as shown and described.

**DESCRIPTION**

FIG. 1 is a front elevation view of a connector of the present invention showing my new design;

FIG. 2 is a back elevation view thereof;

FIG. 3 is a top plan view thereof;

FIG. 4 is a bottom plan view thereof;

FIG. 5 is a right side elevation view thereof, the left side elevation view being a mirror image thereof;

FIG. 6 is an enlarged cross-sectional view thereof, taken along line 6—6 in FIG. 3;

FIG. 7 is a top, front, and right side perspective view thereof, showing a state before connection to a mating connector; and,

FIG. 8 is a top, front, and right side perspective view thereof.

The broken line showing of the environment is for illustrative purposes only and forms no part of the claimed design.

**1 Claim, 8 Drawing Sheets**

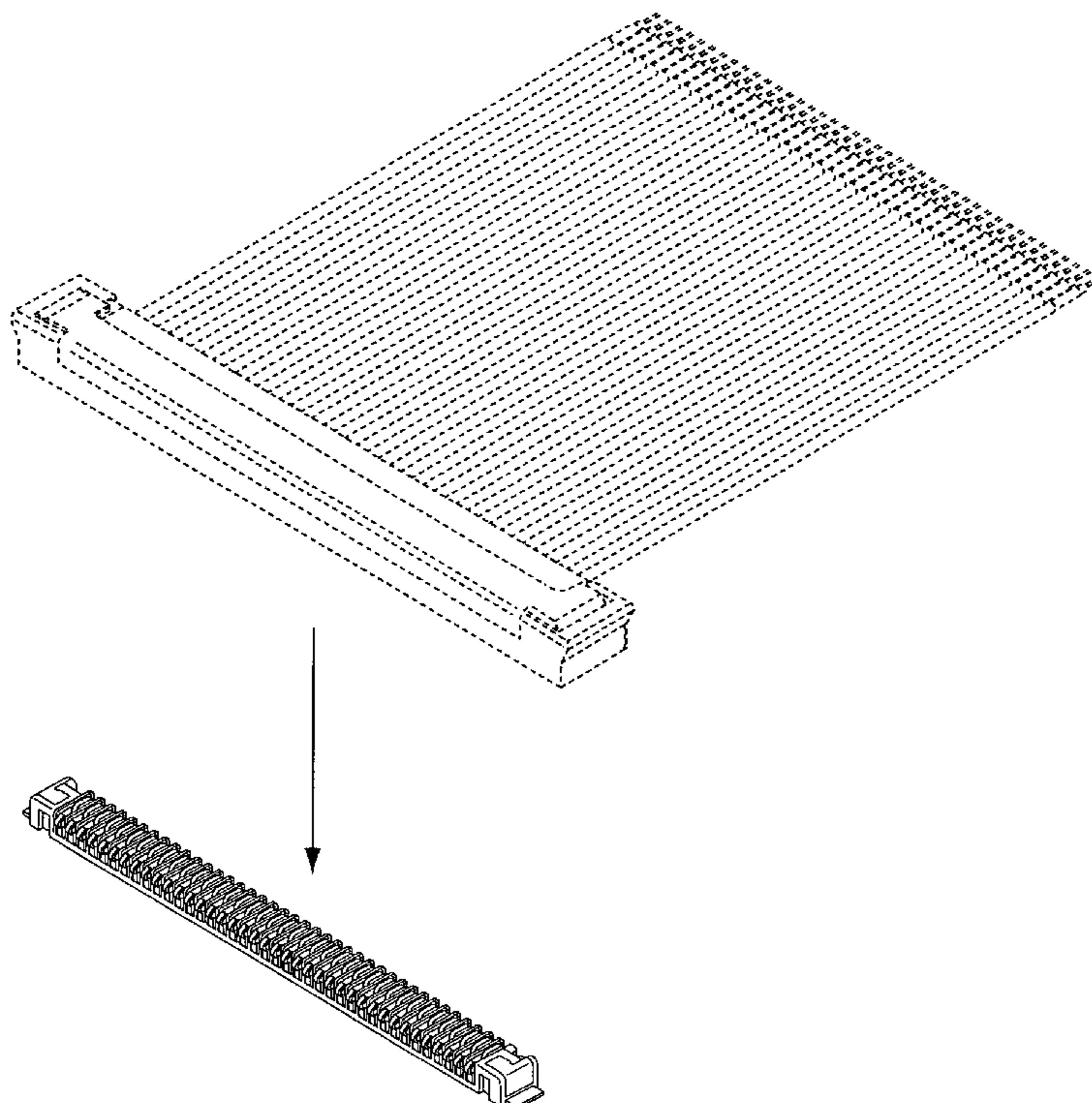


Fig. 1



Fig. 2



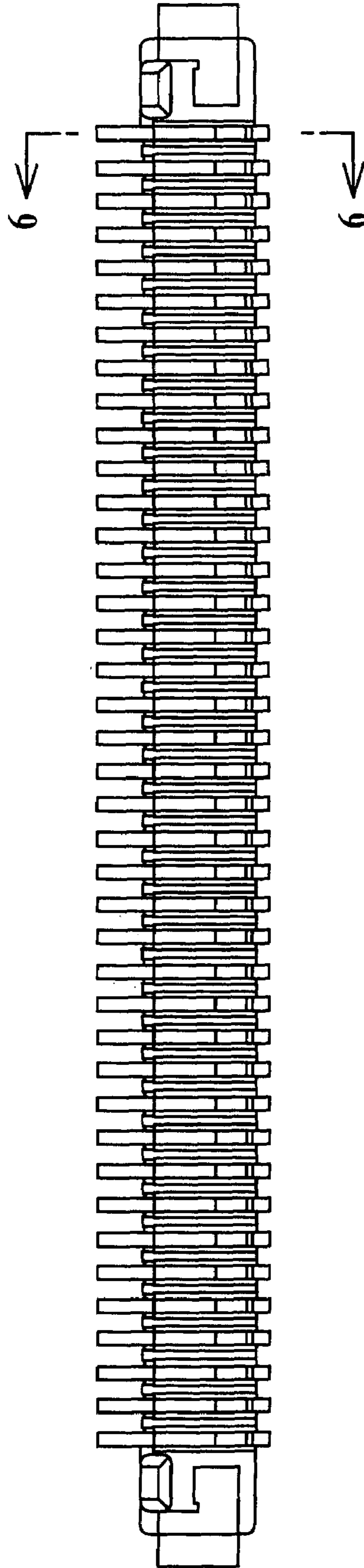


Fig. 3

Fig.4

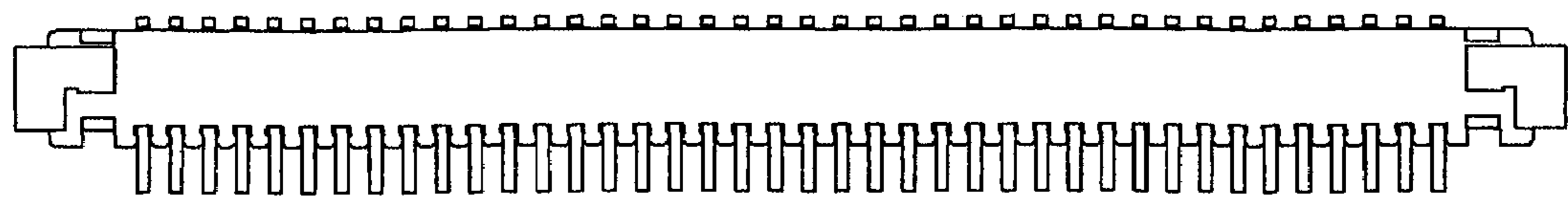


Fig.5

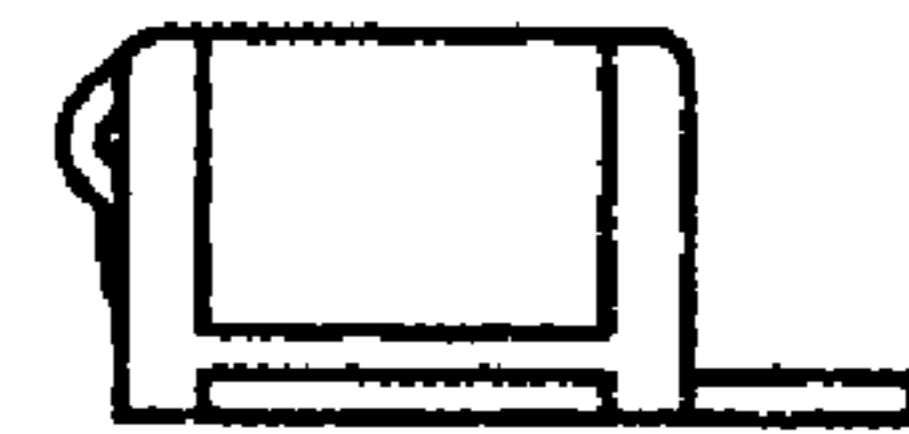


Fig.6

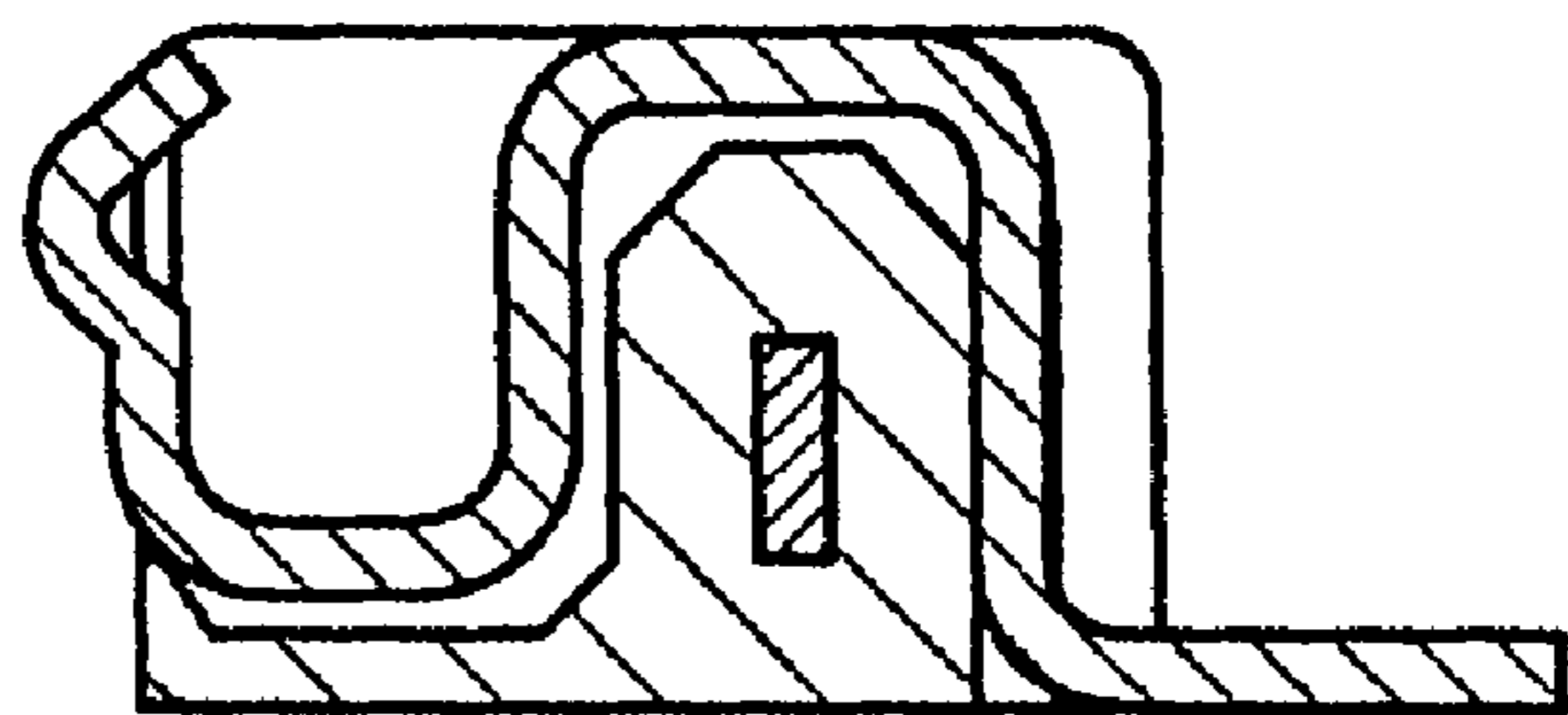


Fig. 7

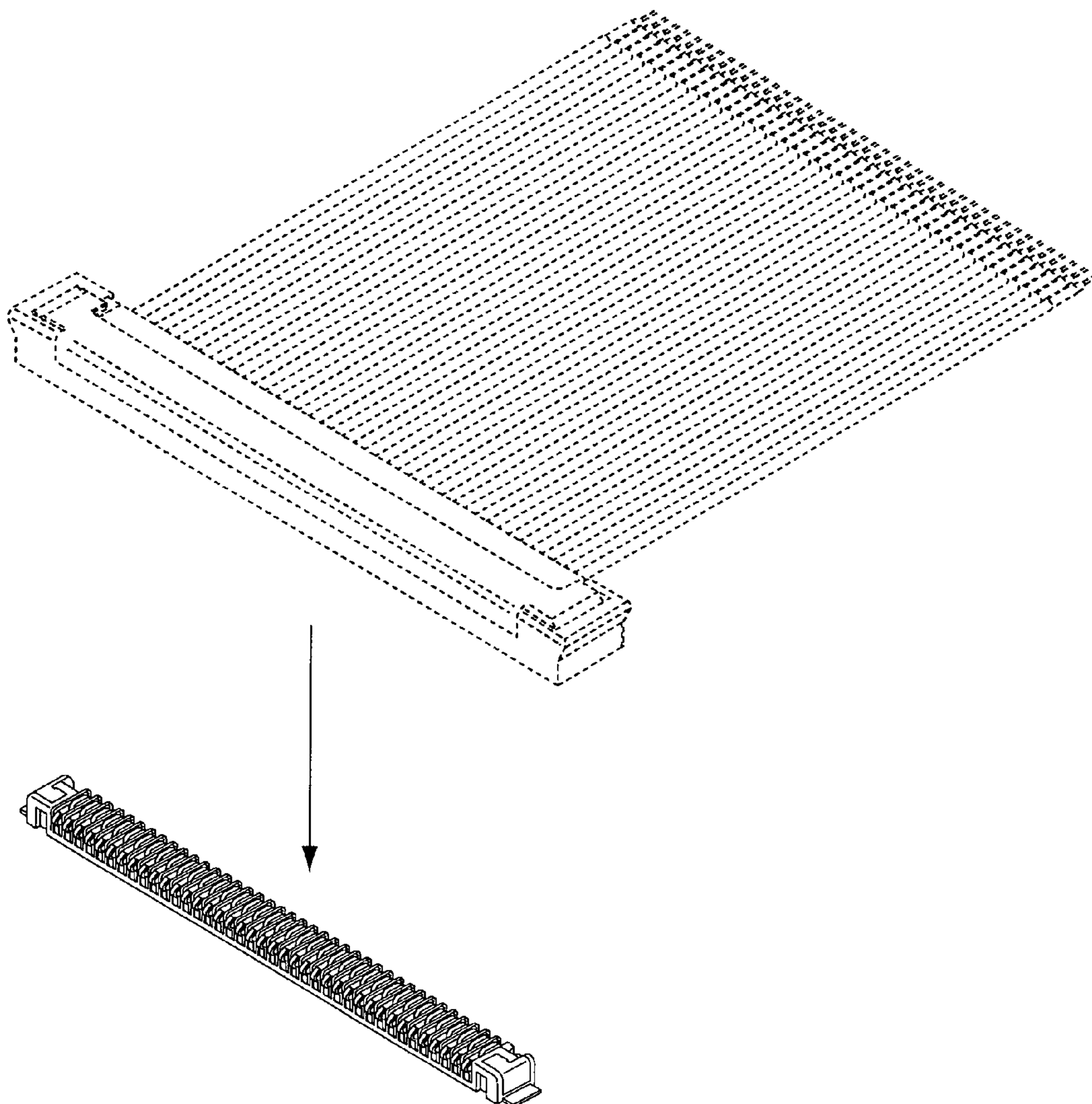




Fig.8

