



US00D562770S

(12) **United States Design Patent**
Obikane

(10) **Patent No.:** **US D562,770 S**

(45) **Date of Patent:** **** Feb. 26, 2008**

(54) **ELECTRICAL CONNECTOR**

(75) Inventor: **Hiroaki Obikane**, Tokyo (JP)

(73) Assignee: **Japan Aviation Electronics Industry, Limited**, Tokyo (JP)

(**) Term: **14 Years**

(21) Appl. No.: **29/270,805**

(22) Filed: **Jan. 3, 2007**

(30) **Foreign Application Priority Data**

Jul. 5, 2006 (JP) 2006-017693

(51) **LOC (8) Cl.** **13-03**

(52) **U.S. Cl.** **D13/147**

(58) **Field of Classification Search** D13/133,
D13/146-147, 154, 184; D14/432-433,
D14/435-436, 438; 439/64, 79, 108, 260,
439/159-160, 325-326, 329, 394-395, 607-610,
439/629-630

See application file for complete search history.

(56) **References Cited**

U.S. PATENT DOCUMENTS

D453,734 S * 2/2002 Shimoyama et al. D13/147
D500,738 S * 1/2005 Obikane et al. D13/147
7,037,117 B2 * 5/2006 Goto 439/74
7,070,423 B2 * 7/2006 Zhang et al. 439/74

D539,225 S * 3/2007 Kishi et al. D13/147
D539,227 S * 3/2007 Yamada et al. D13/147
2004/0102065 A1 * 5/2004 Obikane et al. 439/74
2006/0178022 A1 * 8/2006 Liu 439/74
2006/0276060 A1 * 12/2006 Takano 439/74

* cited by examiner

Primary Examiner—Daniel Bui

(74) *Attorney, Agent, or Firm*—Collard & Roe, P.C.

(57) **CLAIM**

The ornamental design for an electrical connector, as shown and described.

DESCRIPTION

FIG. 1 is a front elevational view of an electrical connector, showing my new design;

FIG. 2 is a top plan view thereof;

FIG. 3 is a rear elevational view thereof;

FIG. 4 is a bottom plan view thereof;

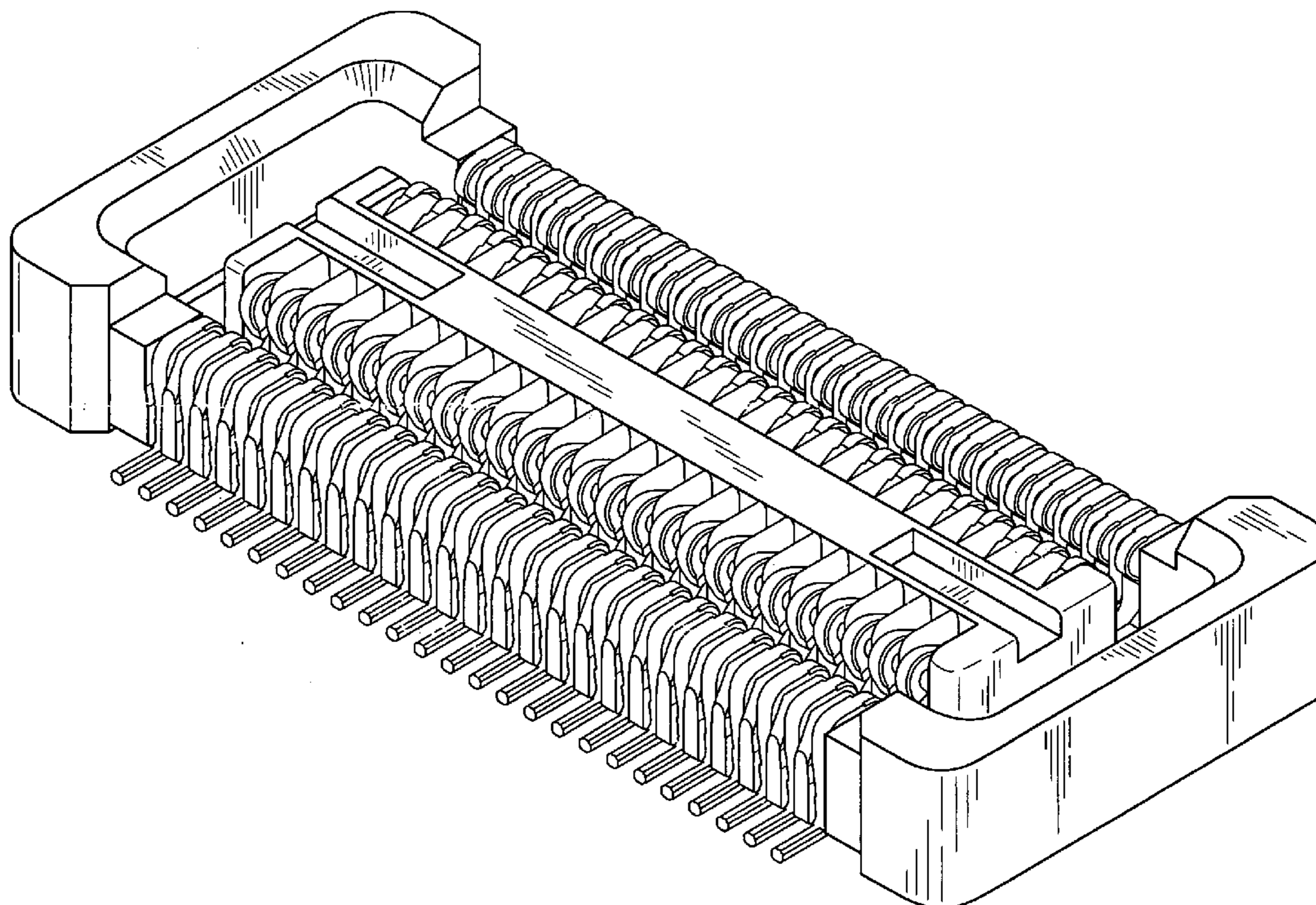
FIG. 5 is a right side elevational view thereof;

FIG. 6 is a left side elevational view thereof; and,

FIG. 7 is a perspective view illustrating of the front, right, and top-side thereof.

The broken line showing of the environment is for illustrative purposes only and forms no part of the claimed design.

1 Claim, 6 Drawing Sheets



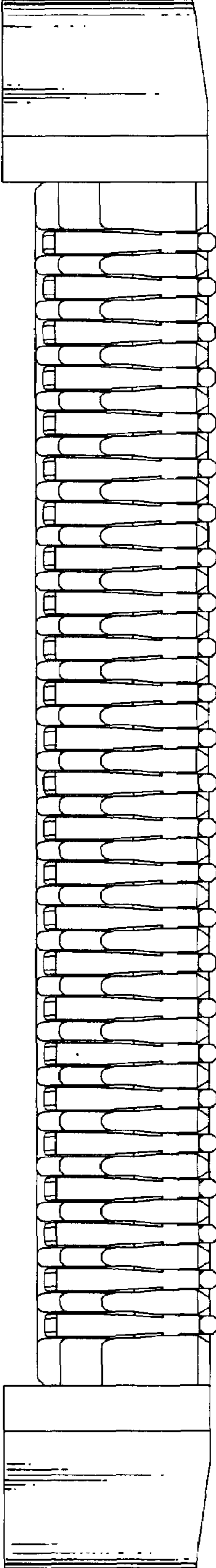


FIG. 1

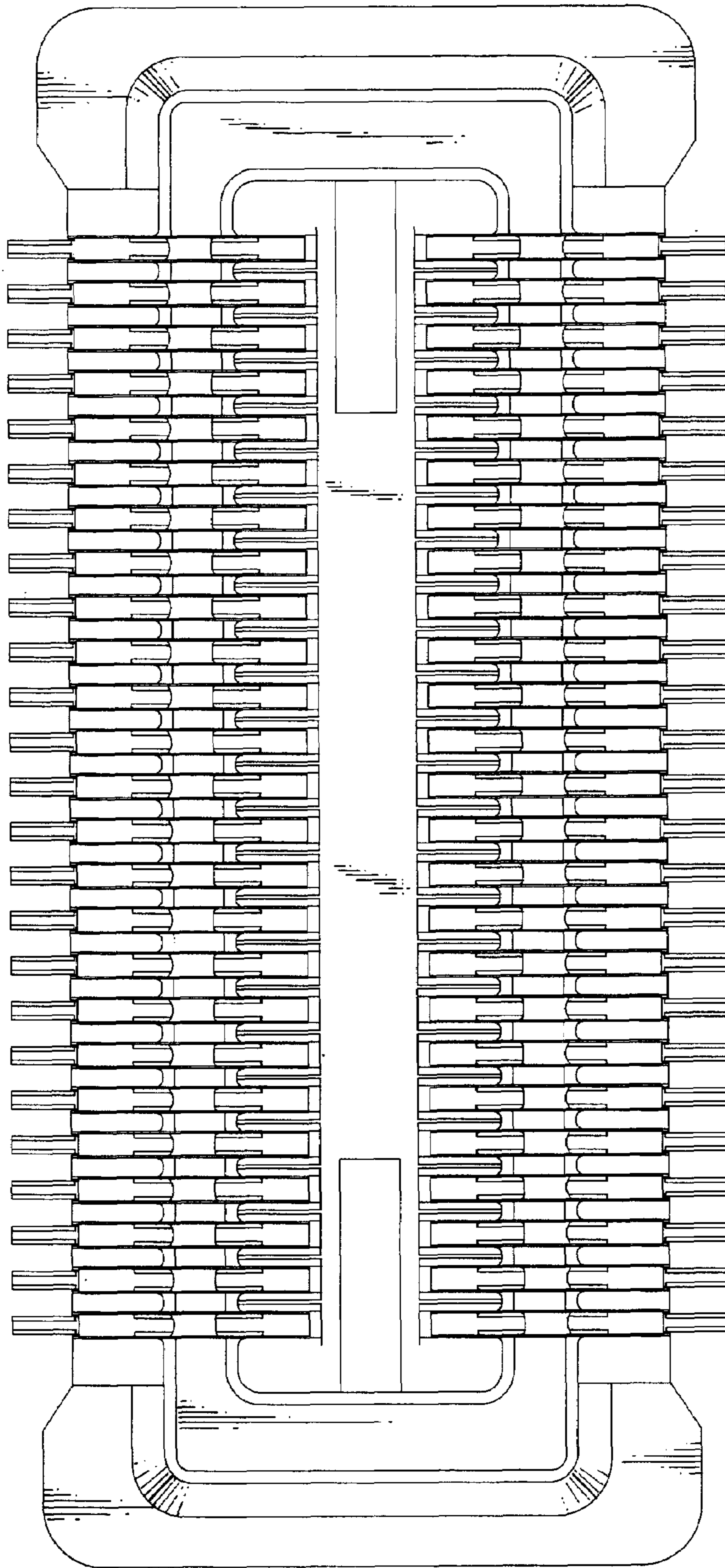


FIG. 2

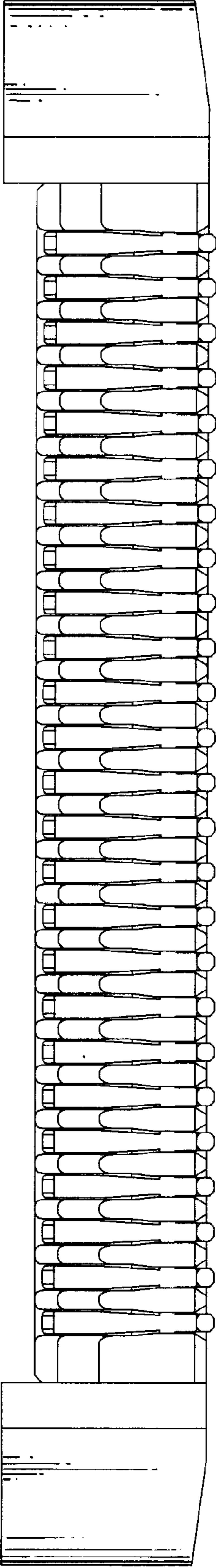


FIG. 3

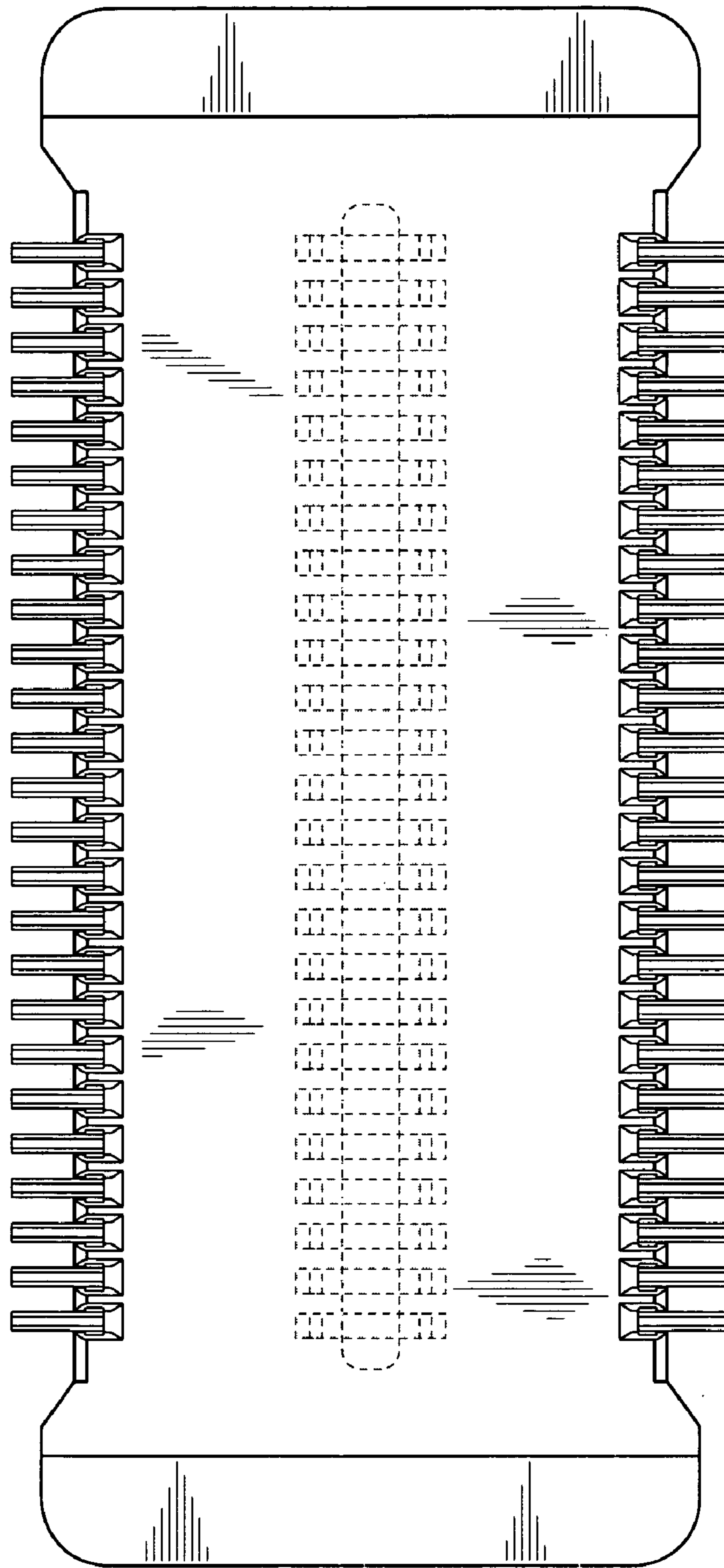


FIG. 4

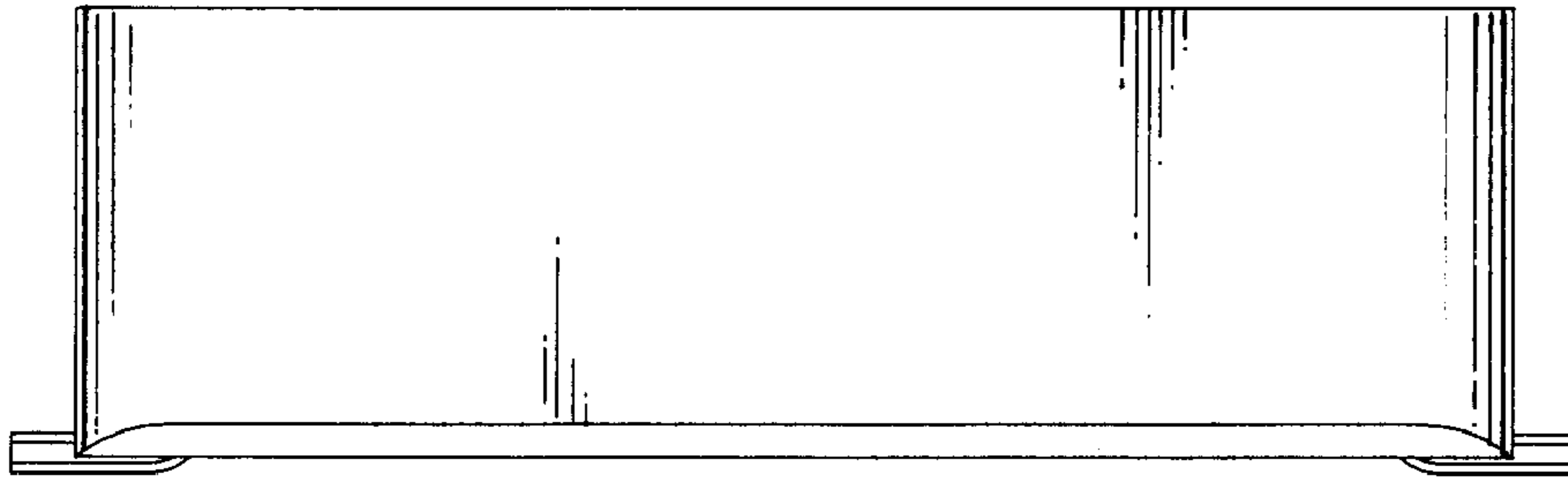


FIG. 5

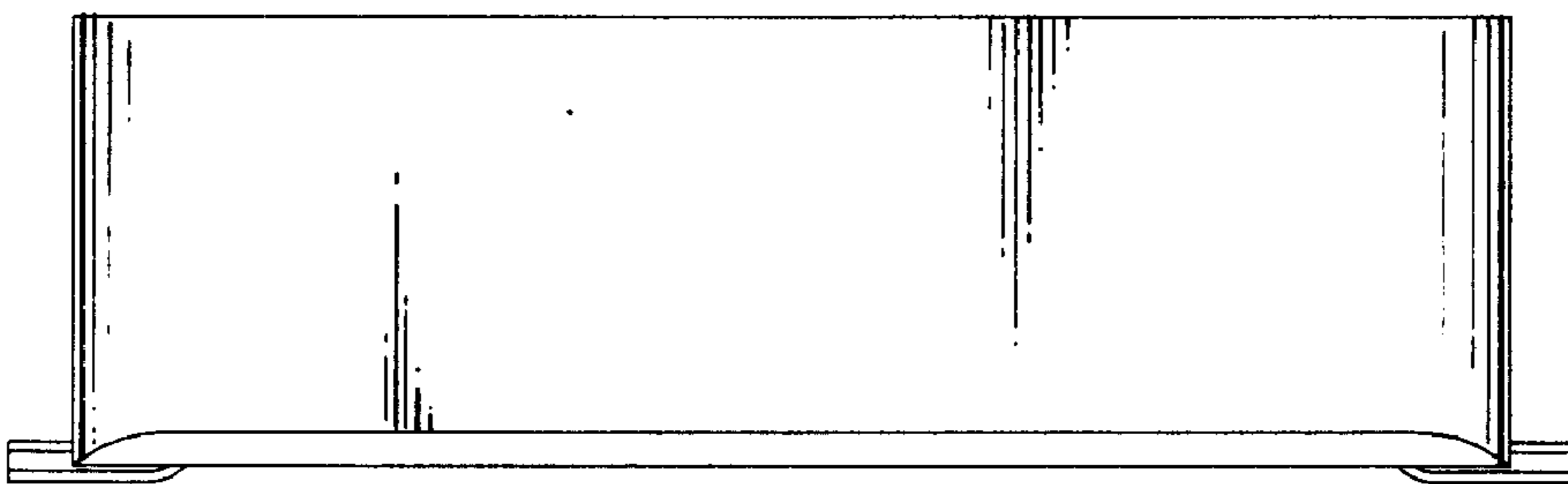


FIG. 6

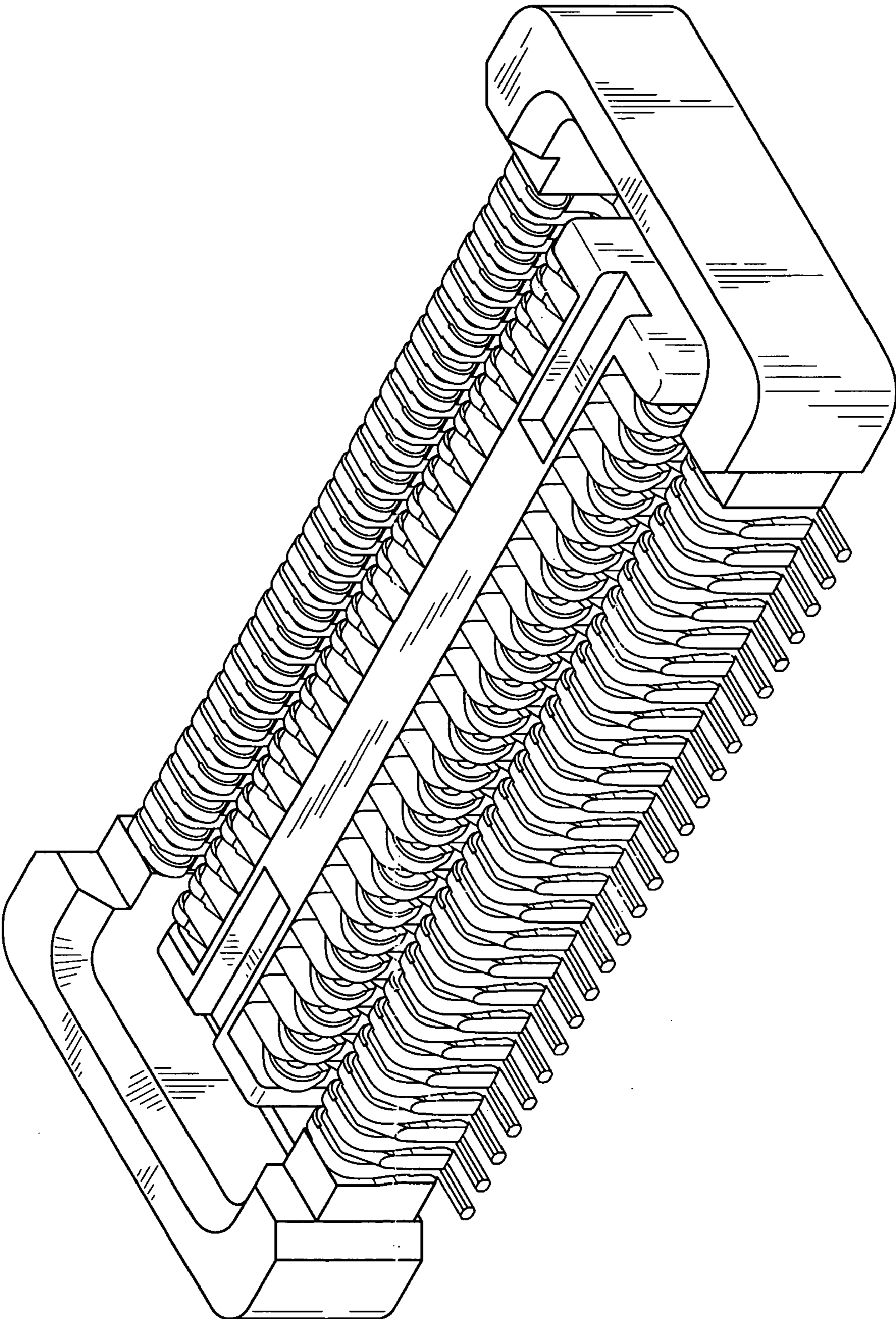


FIG. 7