

US00D562769S

(12) **United States Design Patent**
Ashida et al.

(10) **Patent No.:** **US D562,769 S**
(45) **Date of Patent:** **** Feb. 26, 2008**

(54) **CABLE CONNECTOR PLUG**

(75) Inventors: **Kenichiro Ashida**, Kyoto (JP); **Yuji Hori**, Kyoto (JP); **Masato Ibuki**, Kyoto (JP); **Shinji Yamamoto**, Kyoto (JP); **Fumiyoshi Suetake**, Kyoto (JP); **Akiko Suga**, Kyoto (JP); **Hirokazu Matsui**, Kyoto (JP)

(73) Assignee: **Nintendo Co., Ltd.**, Kyoto (JP)

(**) Term: **14 Years**

(21) Appl. No.: **29/268,257**

(22) Filed: **Nov. 2, 2006**

(30) **Foreign Application Priority Data**

May 2, 2006 (JP) 2006-011548

(51) **LOC (8) Cl.** **13-03**

(52) **U.S. Cl.** **D13/133; D13/147**

(58) **Field of Classification Search** D13/133,
D13/146-147, 153-154, 184, 199; D14/433;
439/350, 447, 607-610, 660, 677, 680-682
See application file for complete search history.

(56) **References Cited**

U.S. PATENT DOCUMENTS

D333,293 S	2/1993	Ashida	
D340,241 S *	10/1993	Nakamura	D13/146
D378,209 S *	2/1997	Morikawa et al.	D13/147
D381,628 S	7/1997	Ashida	
D381,977 S	8/1997	Nagata et al.	
D452,217 S *	12/2001	Shimojyo	D13/147
D453,320 S	2/2002	Sugino	
D453,498 S	2/2002	Fujita	
D454,837 S	3/2002	Ibuki et al.	
D455,403 S	4/2002	Yoneyama et al.	
D456,008 S	4/2002	Kawanobe et al.	
D468,692 S	1/2003	Ashida et al.	
D475,018 S	5/2003	Ashida et al.	
D507,533 S	7/2005	Yoneyama et al.	
D518,437 S	4/2006	Yoneyama et al.	
D520,453 S	5/2006	Yoneyama et al.	
D520,458 S *	5/2006	Wada et al.	D13/156
D531,580 S *	11/2006	Nishio et al.	D13/147
D533,503 S	12/2006	Ashida et al.	
D535,617 S	1/2007	Yoneyama et al.	

2004/0115990 A1* 6/2004 Kodama 439/607

OTHER PUBLICATIONS

Ashida et al., entitled, "Connector Plug for Electronic Game Machine," U.S. Appl. No. 29/271,697, filed Jan. 25, 2007, pending.
Kawanobe, entitled, "Connector Plug," U.S. Appl. No. 29/270,361, filed Dec. 21, 2006, pending.
Ashida et al., entitled, "Cable Connector Plug," U.S. Appl. No. 29/268,253, filed Nov. 2, 2006, pending.
Ashida et al., entitled, "Cable Connector Plug," U.S. Appl. No. 29/268,258, filed Nov. 2, 2006, pending.
Kawanobe, entitled, "A Connector Plug for Hand-Held Electronic Game Machine," U.S. Appl. No. 29/242,561, filed Nov. 14, 2005, pending.
Fujino, entitled, "Connector Plug for Electronic Game Machine," U.S. Appl. No. 29/263,345, filed Jul. 21, 2006, pending.

* cited by examiner

Primary Examiner—Daniel Bui

(74) *Attorney, Agent, or Firm*—Nixon & Vanderhye, PC

(57) **CLAIM**

The ornamental design for a cable connector plug, as shown and described.

DESCRIPTION

FIG. 1 is a front, top and left perspective view of a cable connector plug showing our new design;
FIG. 2 is a rear, bottom and right perspective view thereof;
FIG. 3 is a front view thereof;
FIG. 4 is a rear view thereof;
FIG. 5 is a top plan view thereof;
FIG. 6 is a bottom plan view thereof;
FIG. 7 is a left side view thereof;
FIG. 8 is a right side view thereof;
FIG. 9 is an enlarged view of a portion indicated by 9—9 in FIG. 5; and,
FIG. 10 is an enlarged view of a portion indicated by 10—10 in FIG. 8.

1 Claim, 3 Drawing Sheets

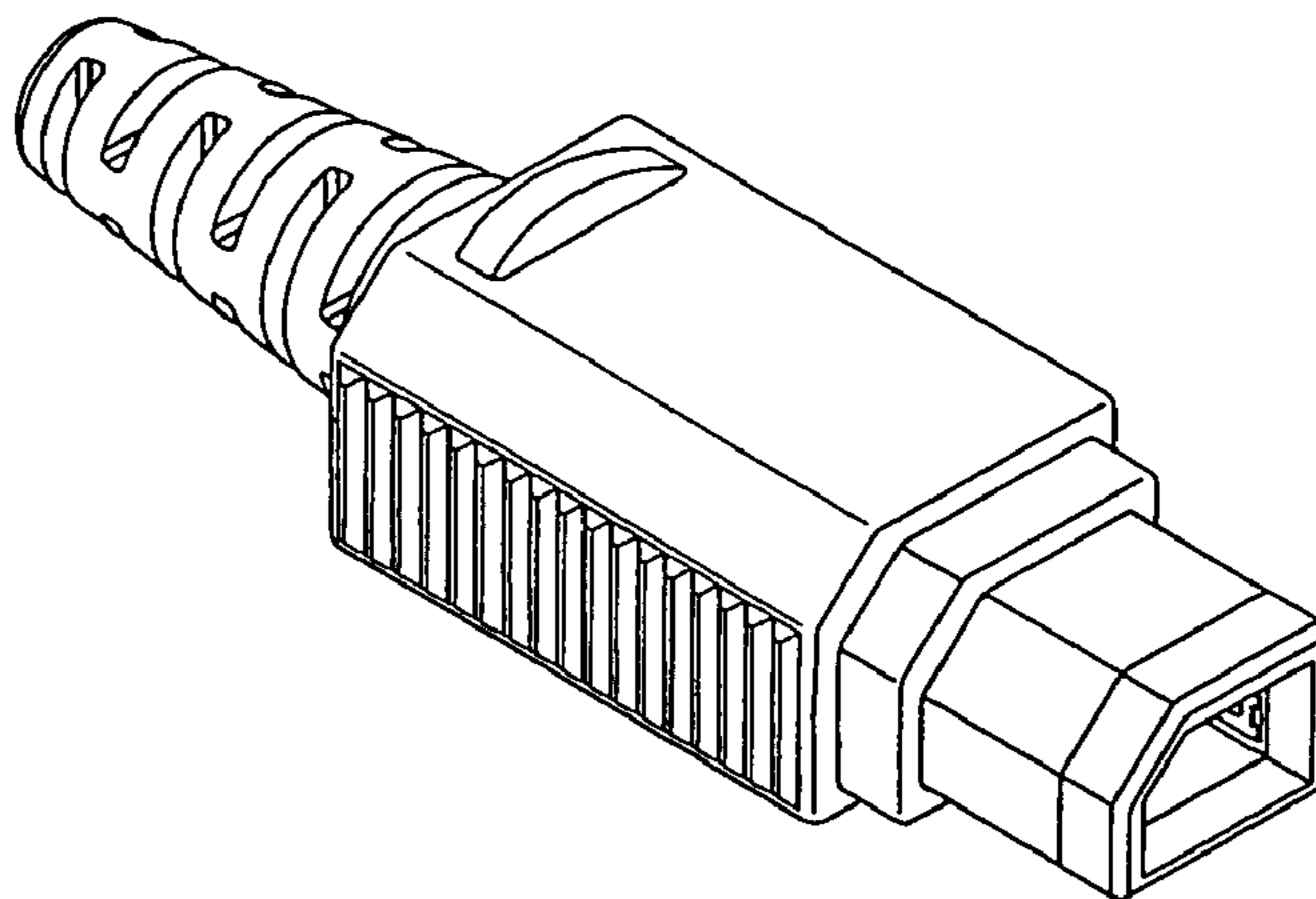


FIG. 1

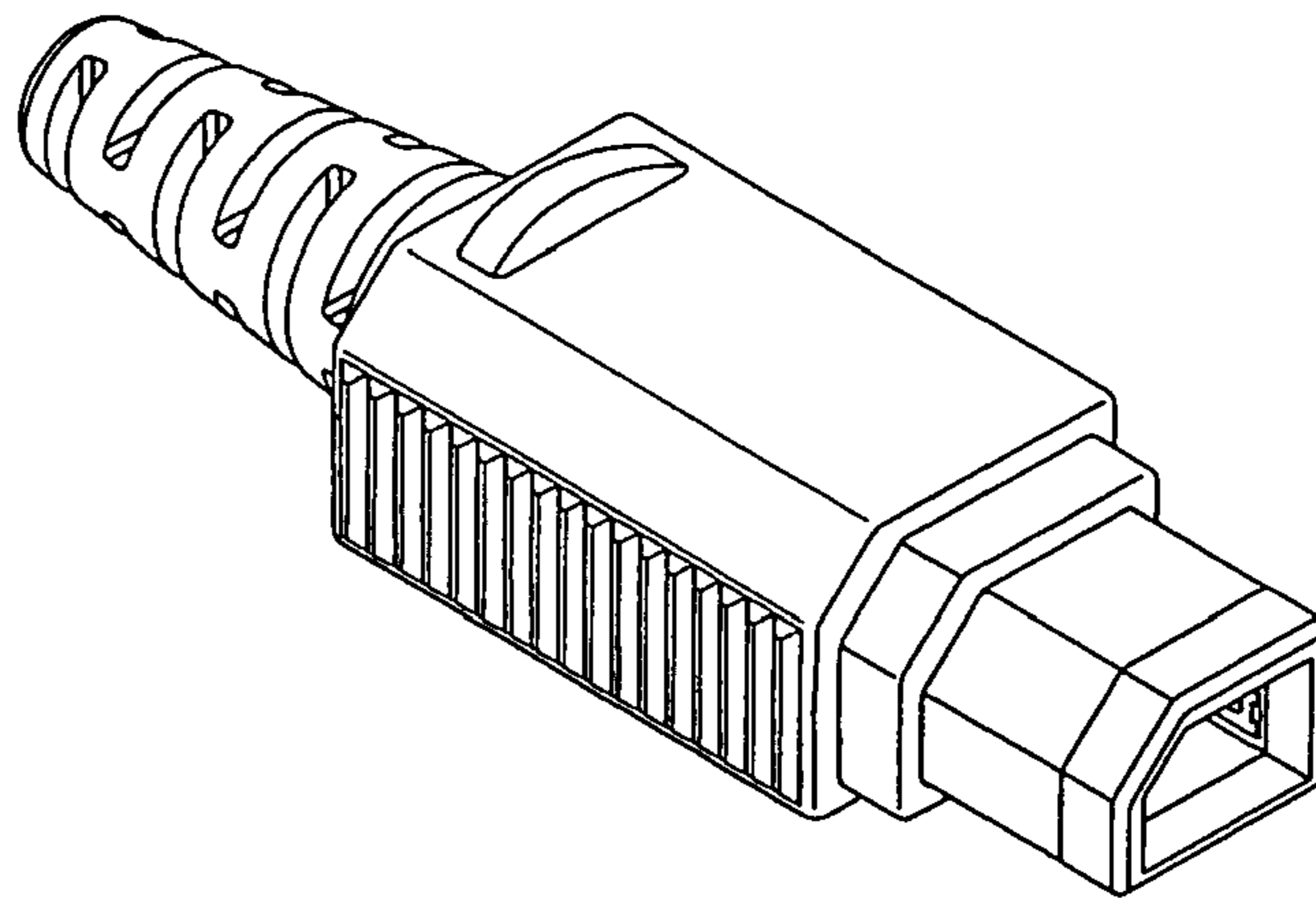


FIG. 2

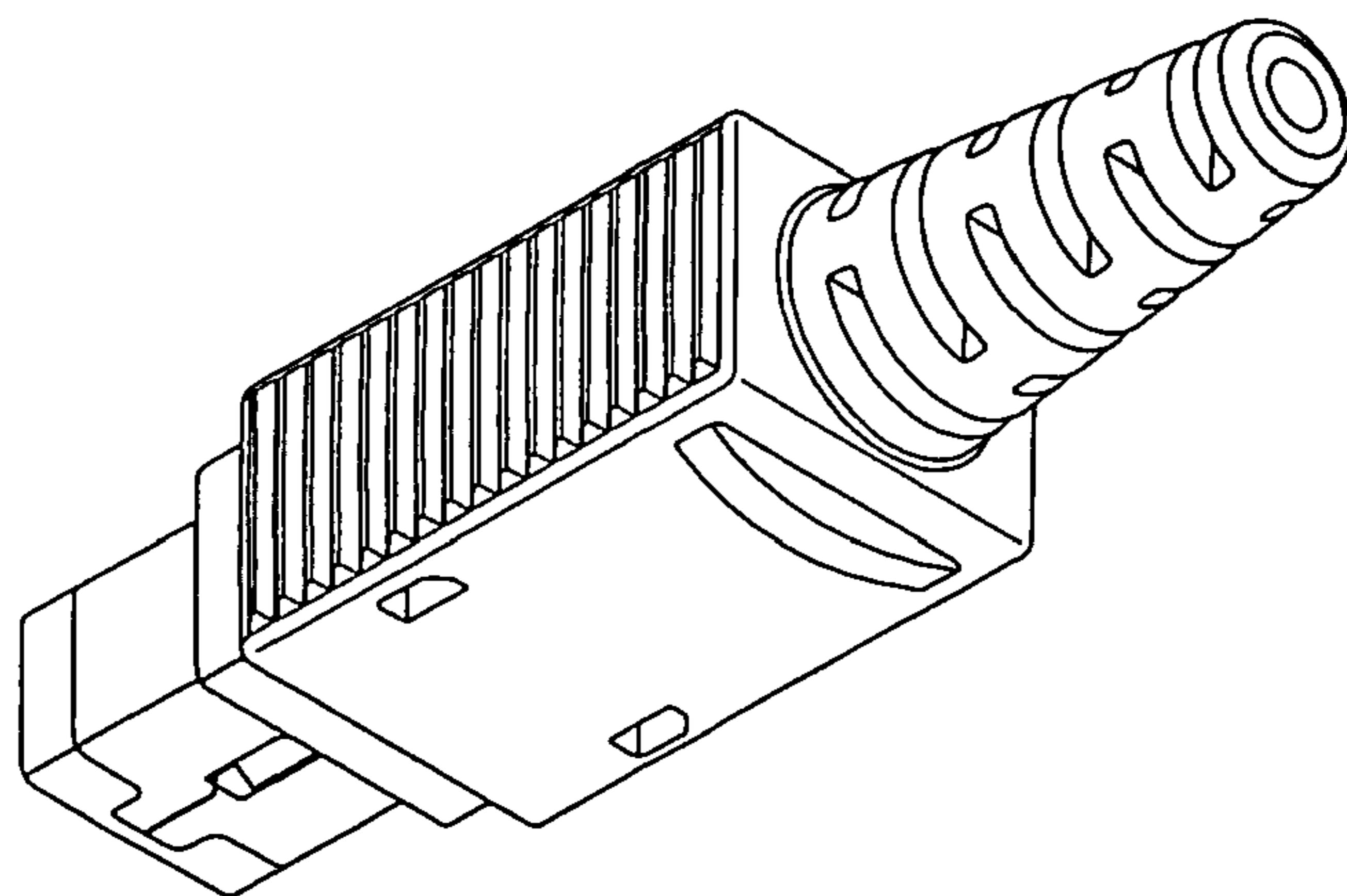


FIG. 3

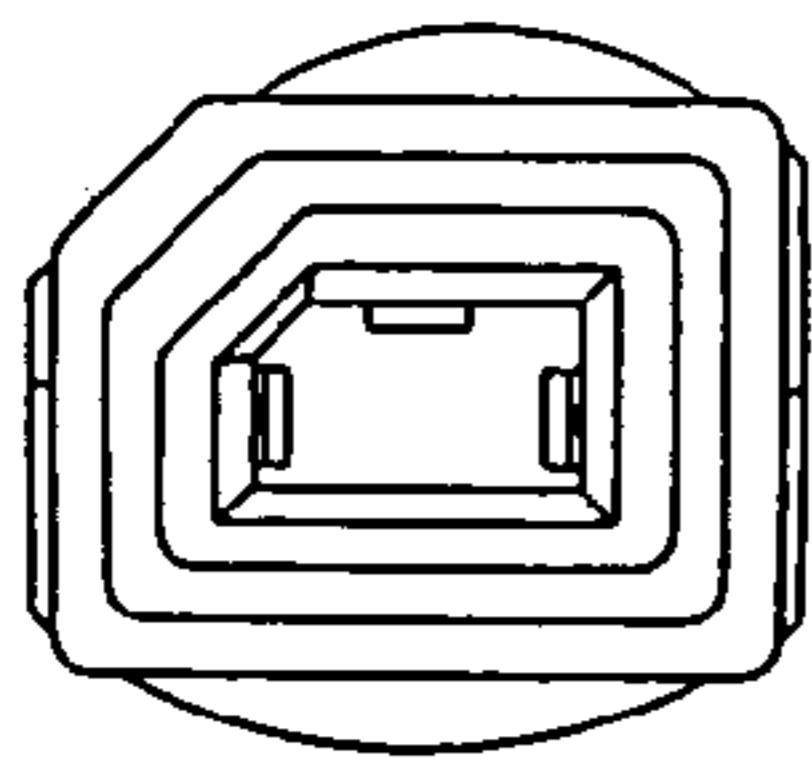


FIG. 4

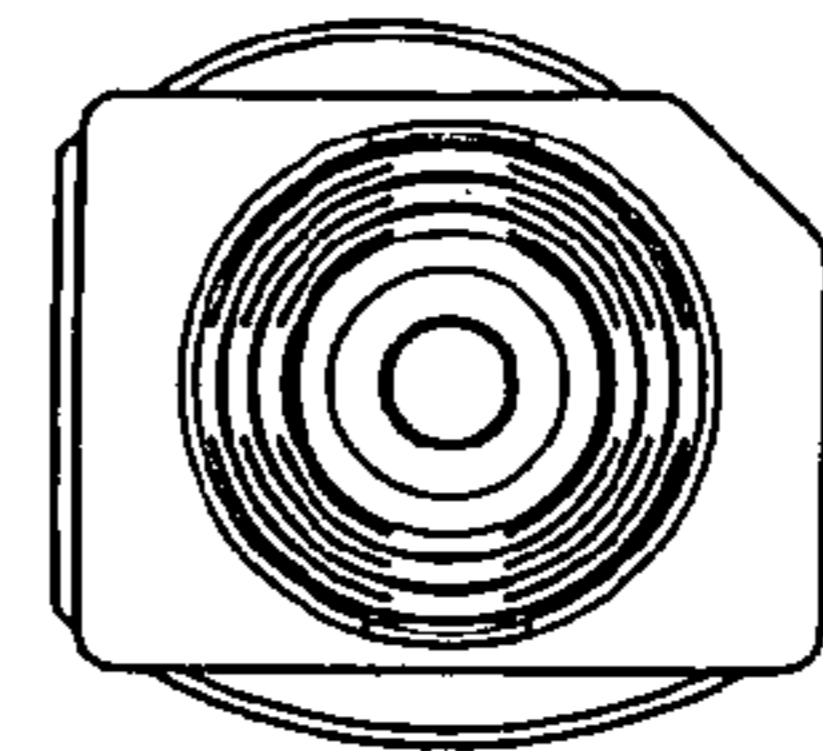


FIG. 5

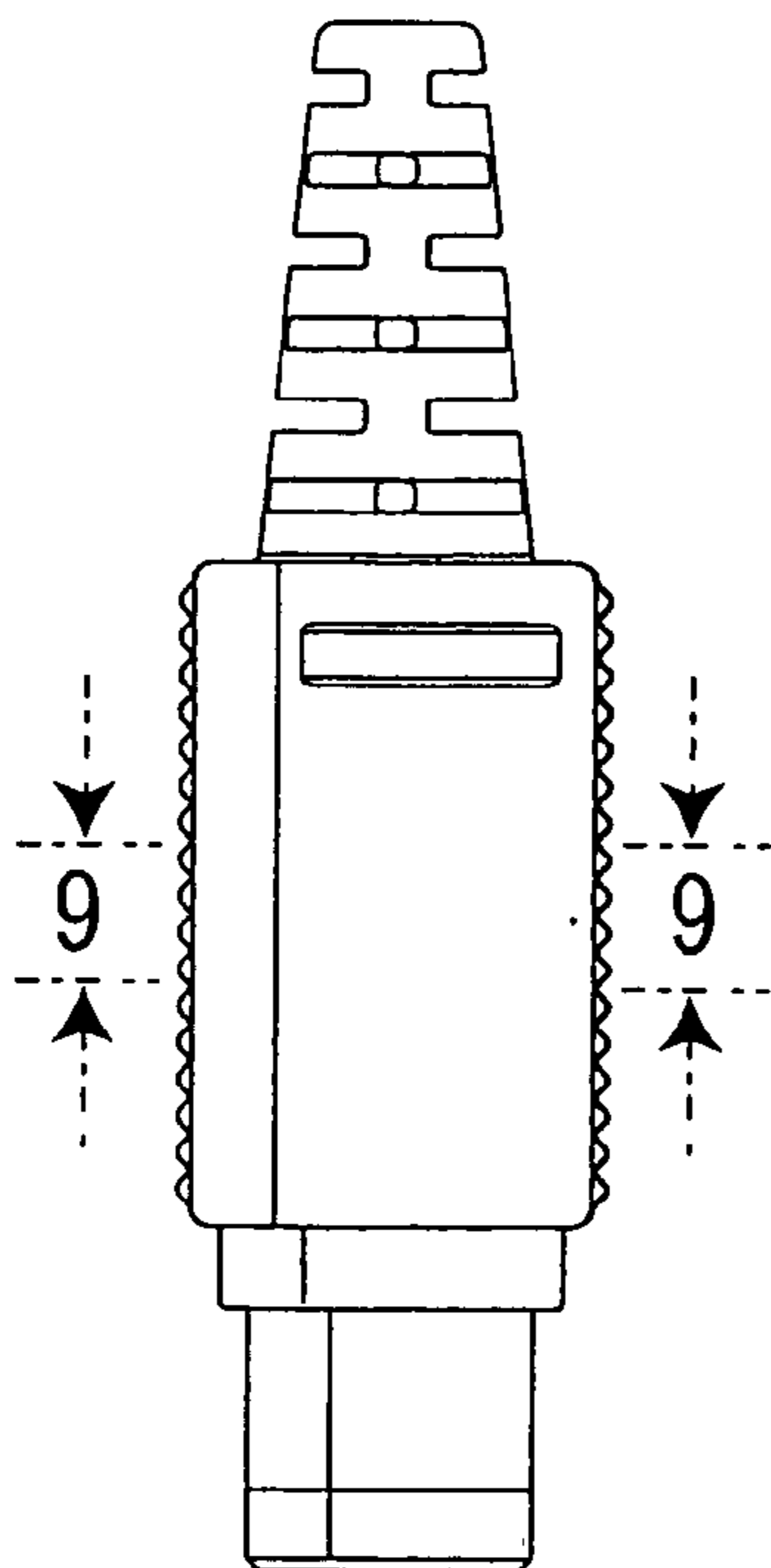


FIG. 6

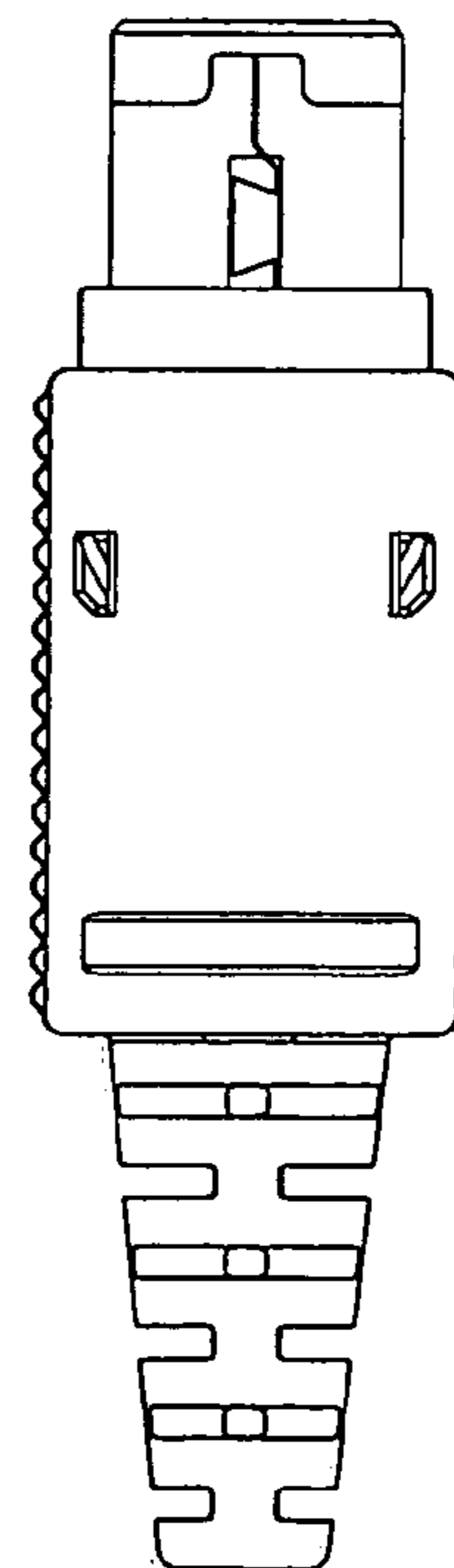


FIG. 7

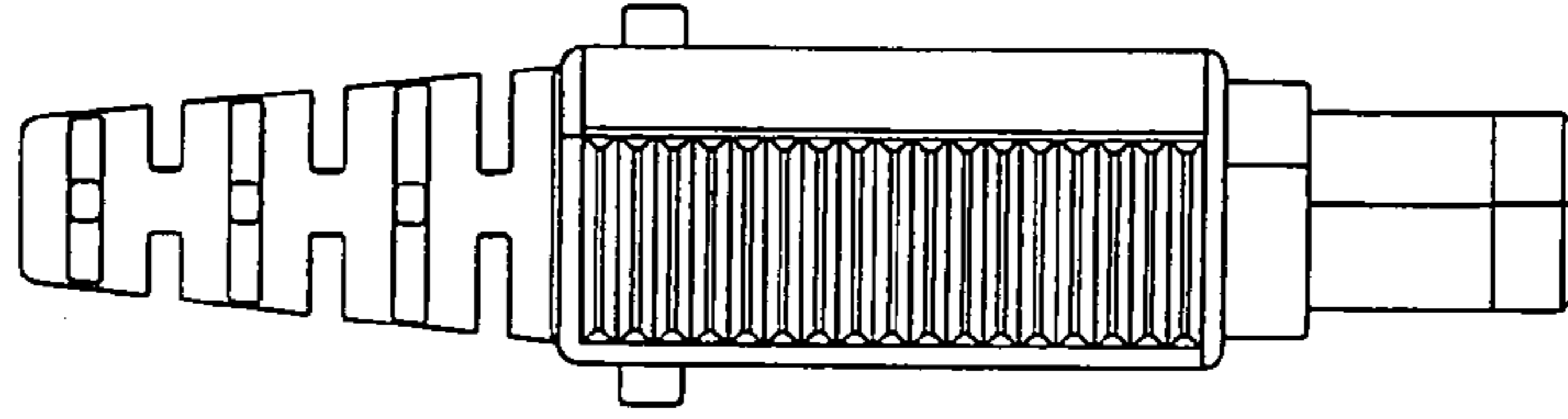


FIG. 8

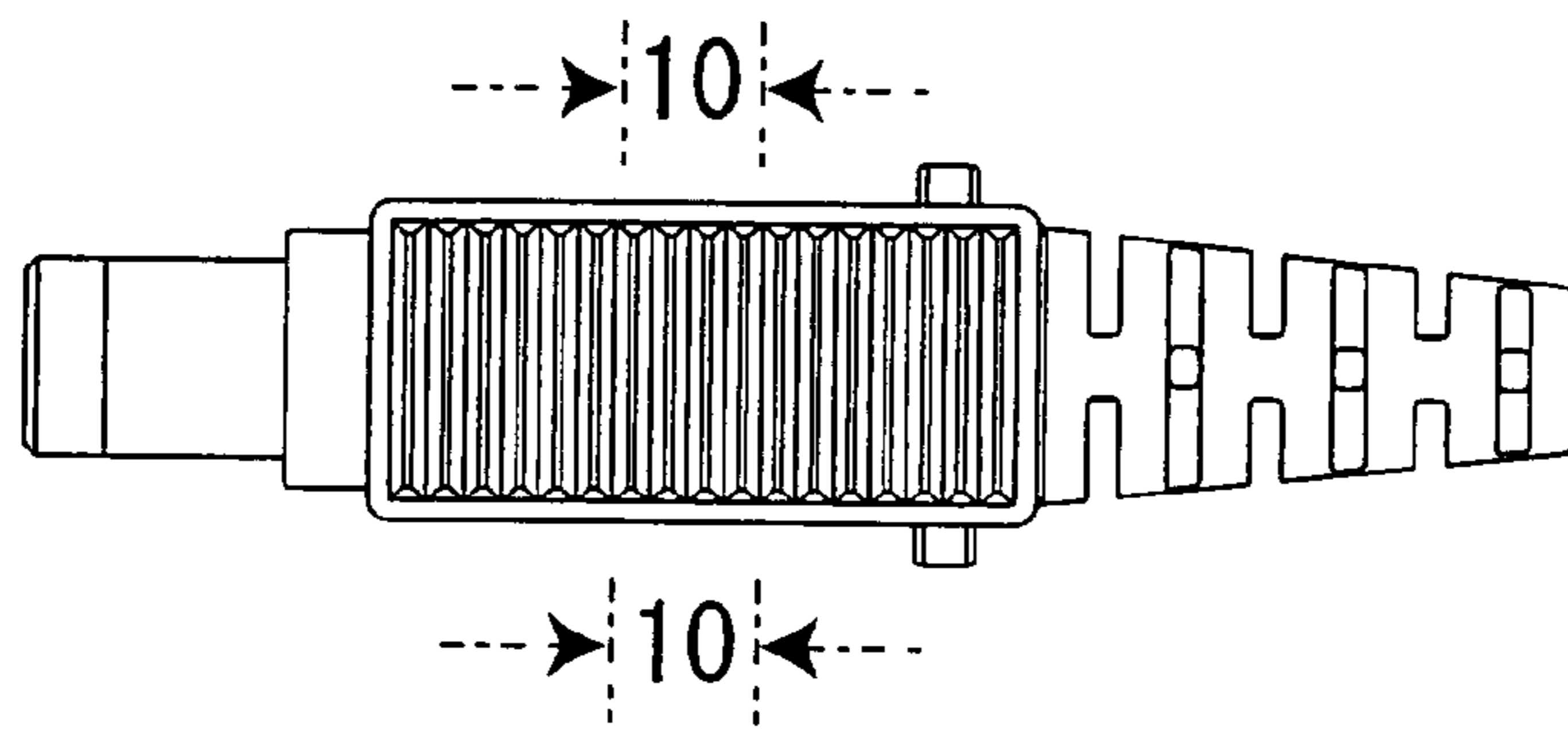


FIG. 9

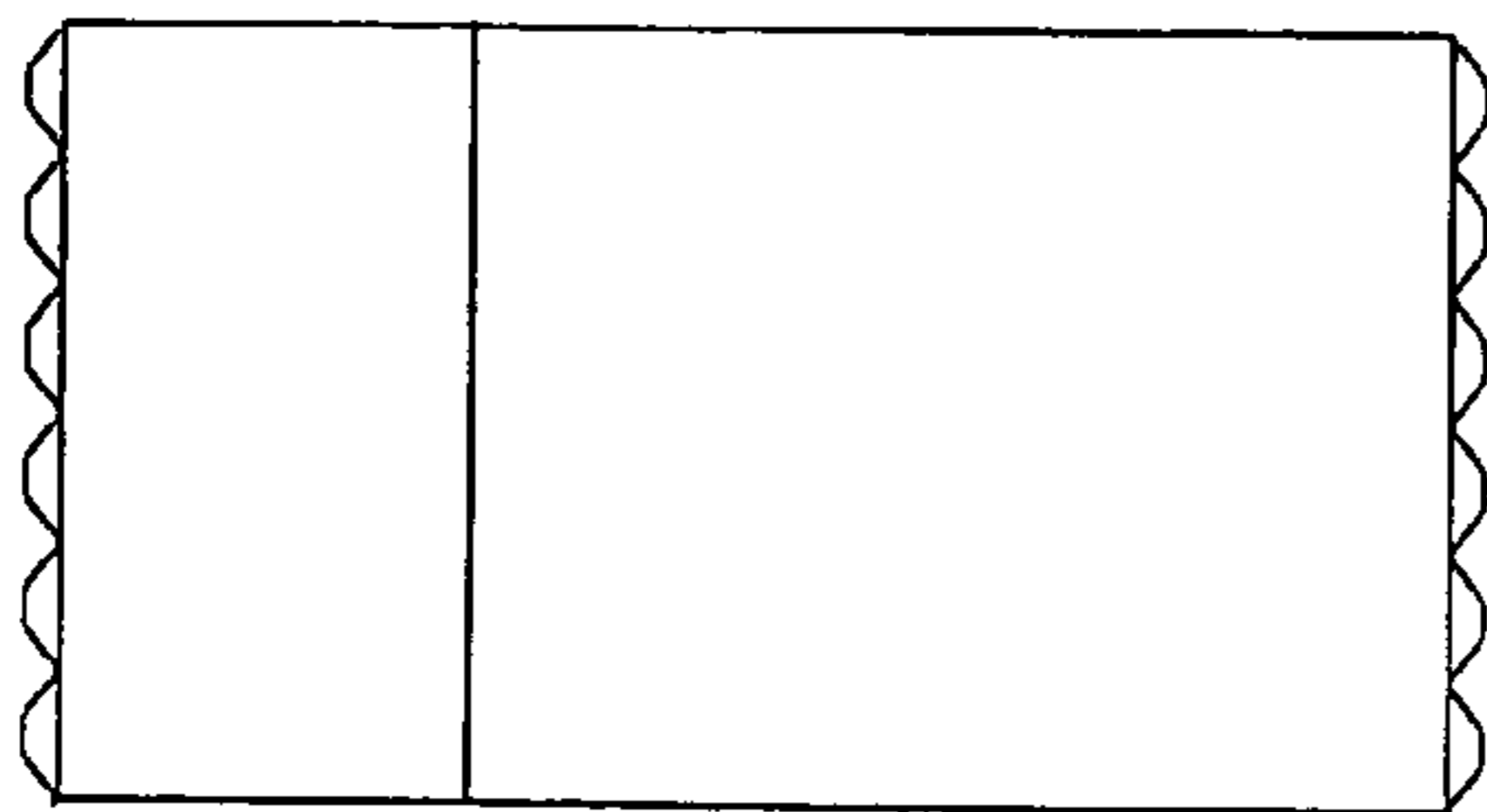


FIG. 10

