

US00D562768S

(12) **United States Design Patent**
Kishi et al.

(10) **Patent No.:** **US D562,768 S**

(45) **Date of Patent:** **** Feb. 26, 2008**

(54) **CONNECTOR PIN**

(75) Inventors: **Masanori Kishi**, Tsu (JP); **Kenji Okura**, Tsu (JP)

(73) Assignee: **Matsushita Electric Works, Ltd.**, Osaka (JP)

(**) Term: **14 Years**

(21) Appl. No.: **29/261,136**

(22) Filed: **Jun. 8, 2006**

(30) **Foreign Application Priority Data**

Dec. 14, 2005 (JP) 2005-036814

(51) **LOC (8) Cl.** **13-03**

(52) **U.S. Cl.** **D13/133; D13/154**

(58) **Field of Classification Search** D13/133, D13/154, 184, 199; 439/395, 839, 633, 660, 439/849-850, 862, 870, 877, 884-885, 887-891
See application file for complete search history.

(56) **References Cited**

U.S. PATENT DOCUMENTS

4,911,653 A * 3/1990 Walton et al. 439/326
5,695,353 A * 12/1997 Sakata et al. 439/326
D408,353 S * 4/1999 Yoshiura D13/133
6,623,299 B1 * 9/2003 Liu 439/604

6,872,104 B2 * 3/2005 Sun 439/862
7,195,495 B2 * 3/2007 Takano et al. 439/74
2005/0085140 A1 * 4/2005 Lai 439/862

FOREIGN PATENT DOCUMENTS

JP 1175959 6/2003

* cited by examiner

Primary Examiner—Daniel Bui

(74) *Attorney, Agent, or Firm*—Osha•Liang LLP

(57) **CLAIM**

The ornamental design for a connector pin, as shown and described.

DESCRIPTION

FIG. 1 is a top, front and left side perspective view of a connector pin, showing our new design;

FIG. 2 is a top, rear and right side perspective view thereof;

FIG. 3 is a rear elevation view thereof;

FIG. 4 is a front elevation view thereof;

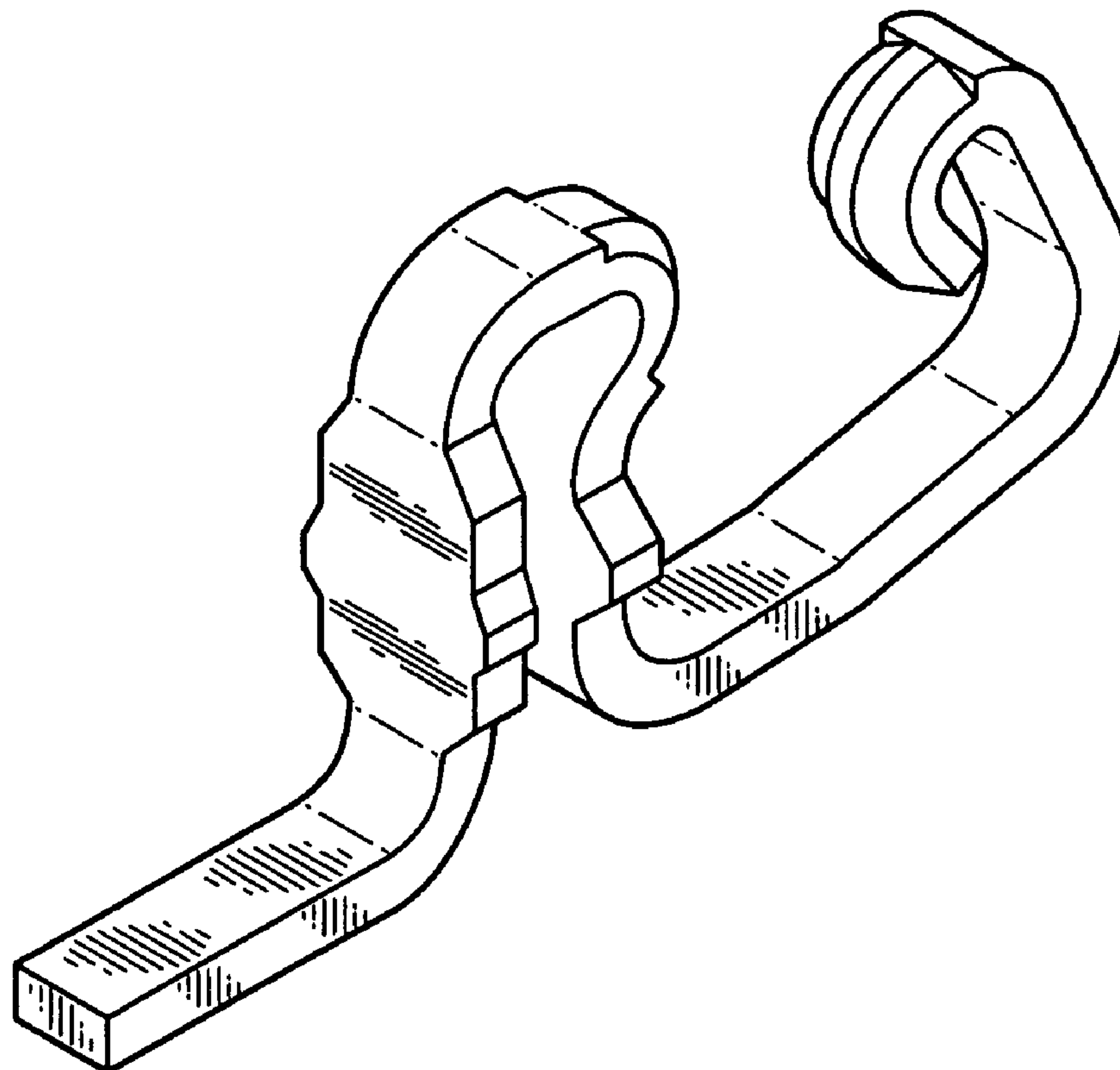
FIG. 5 is a left side elevation view thereof;

FIG. 6 is a right side elevation view thereof;

FIG. 7 is a top plan view thereof; and,

FIG. 8 is a bottom plan view thereof.

1 Claim, 3 Drawing Sheets



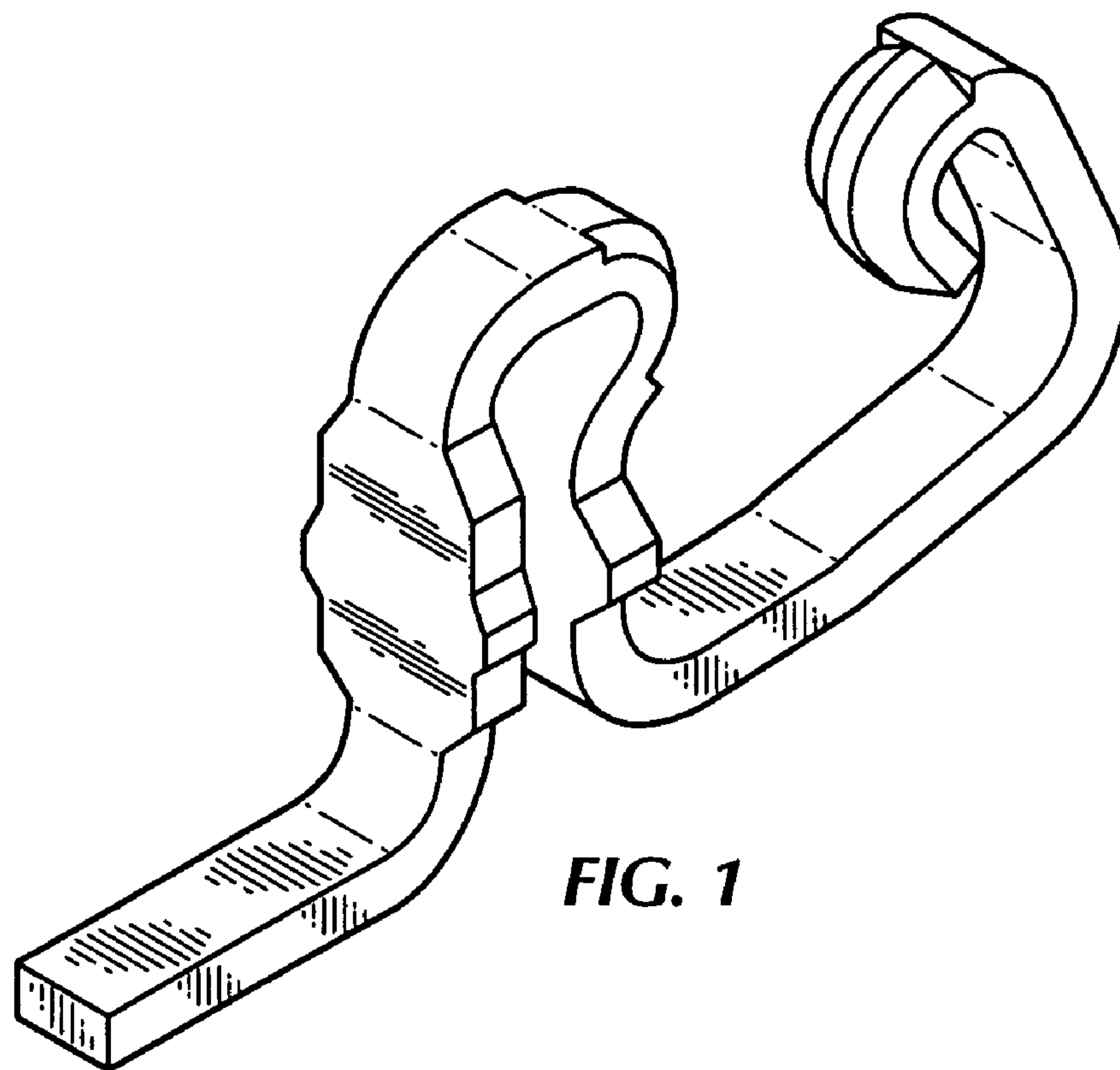


FIG. 1

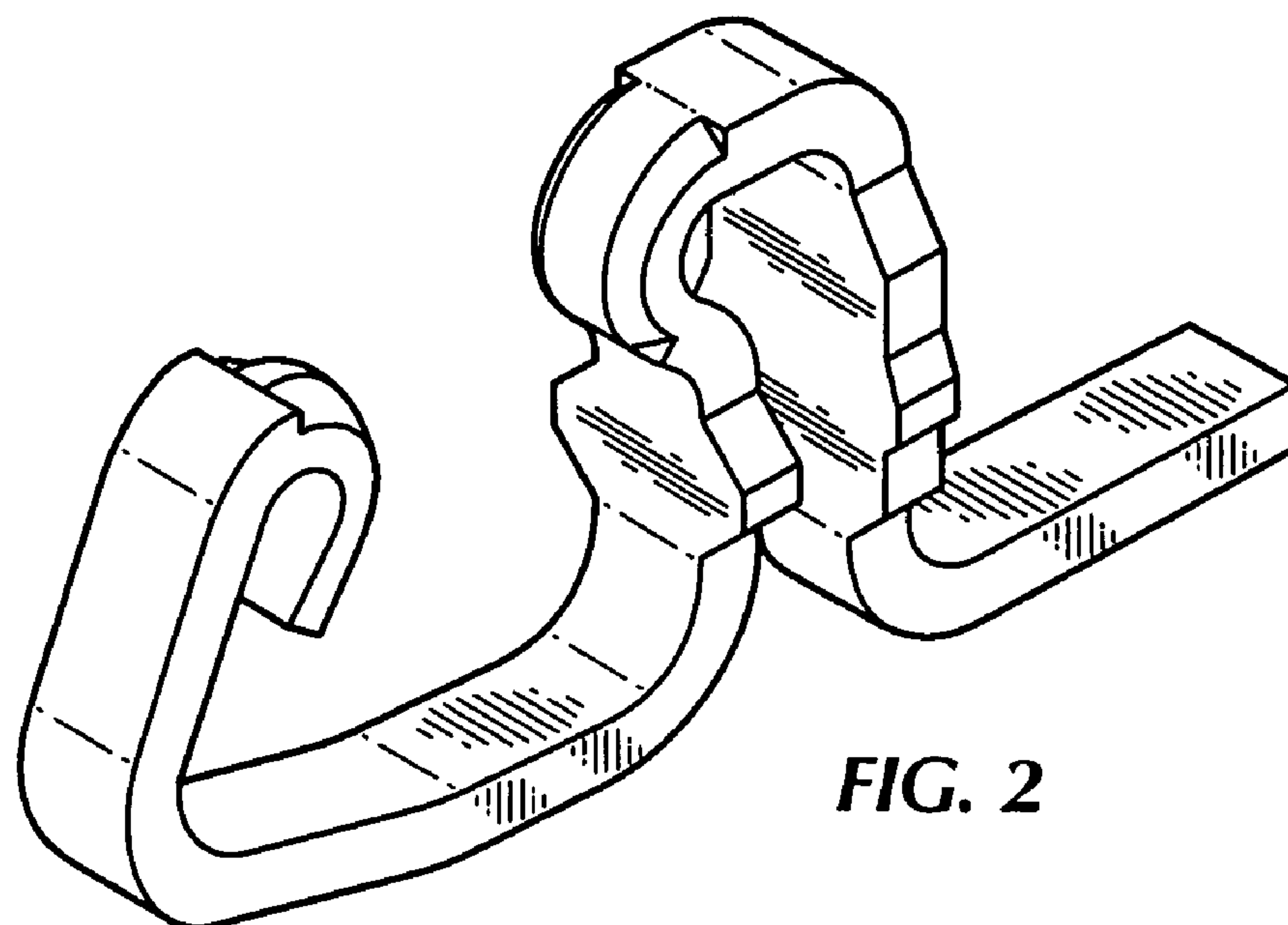


FIG. 2

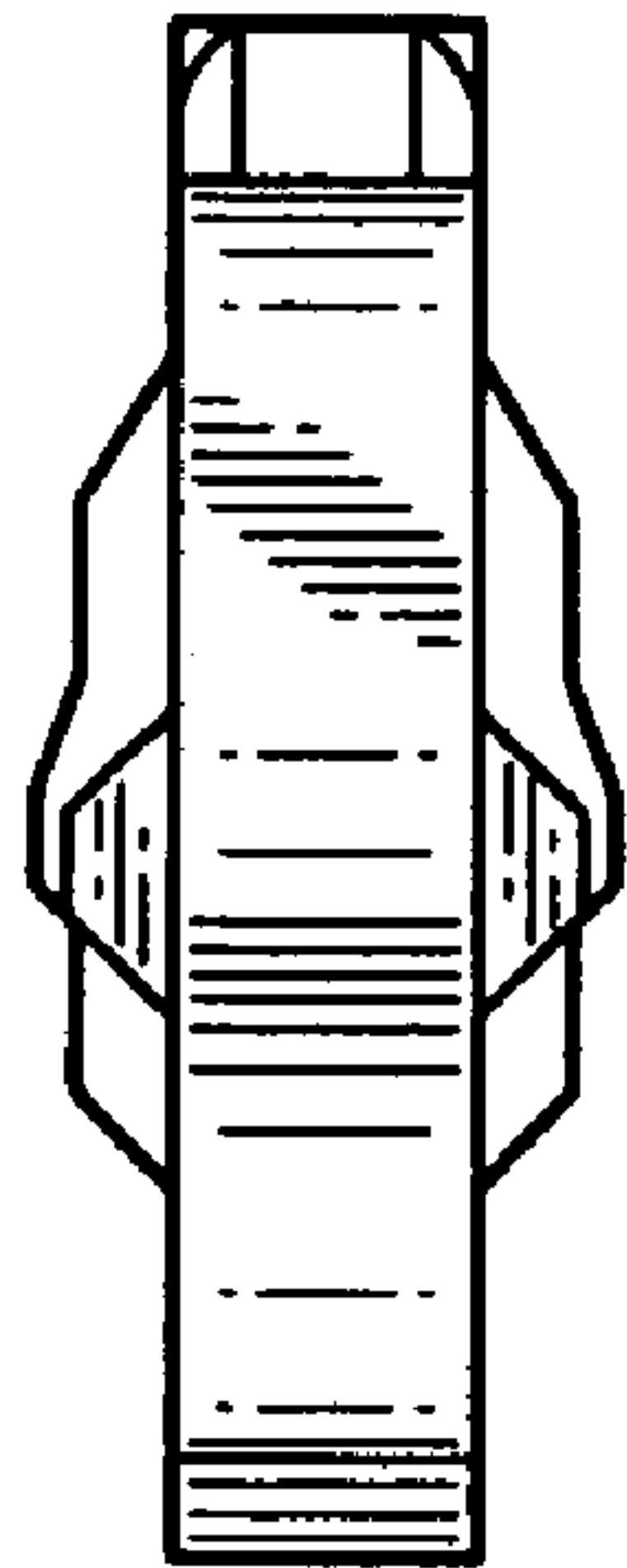


FIG. 3



FIG. 4

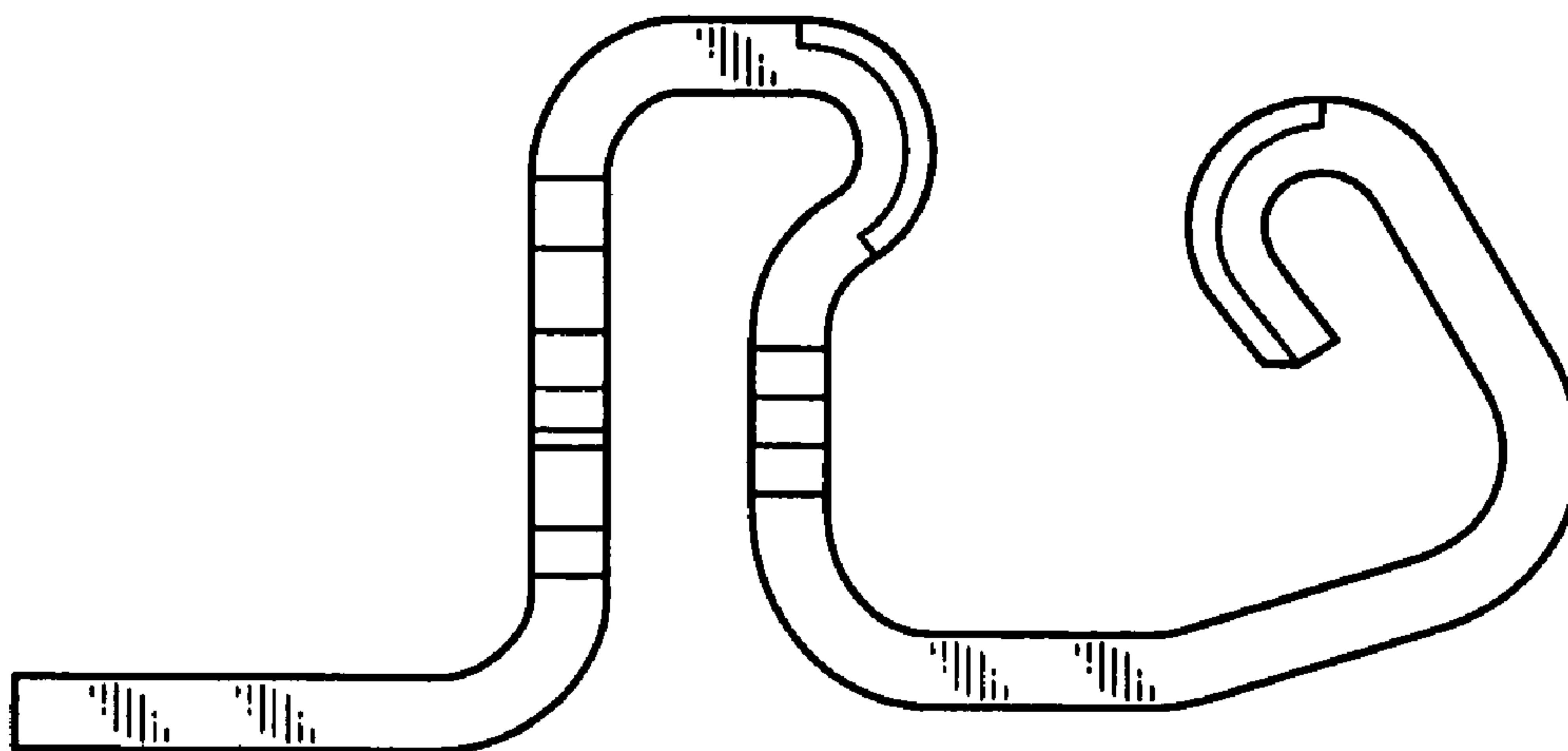


FIG. 5

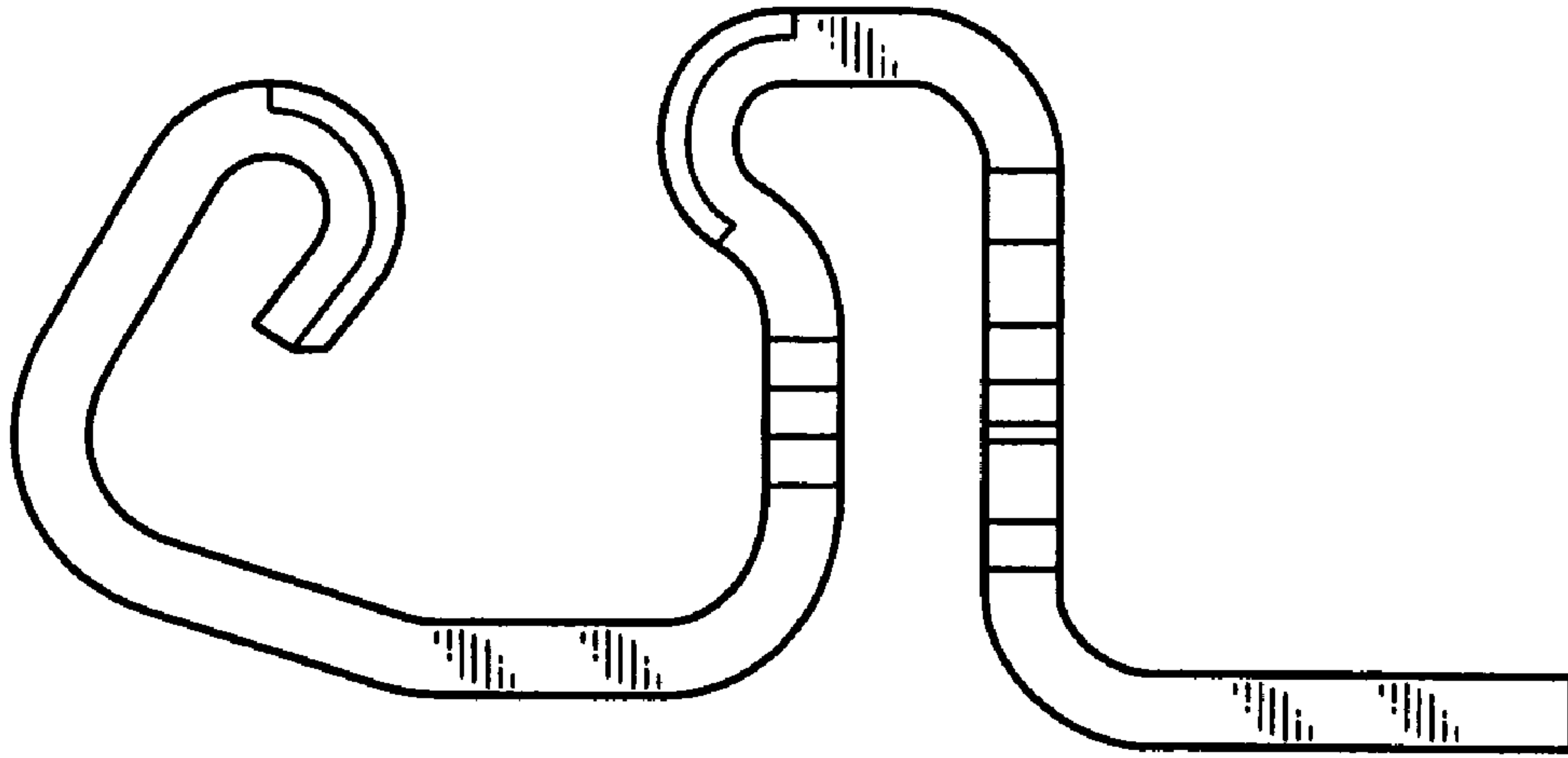


FIG. 6

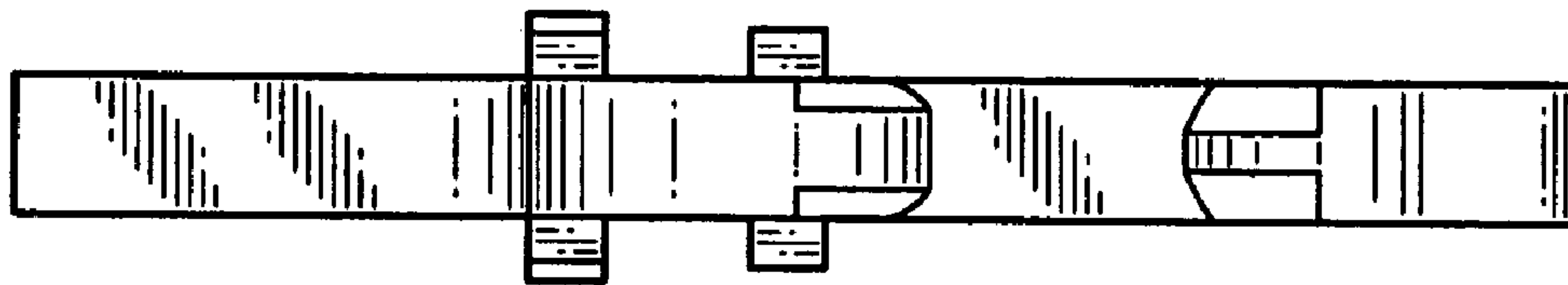


FIG. 7

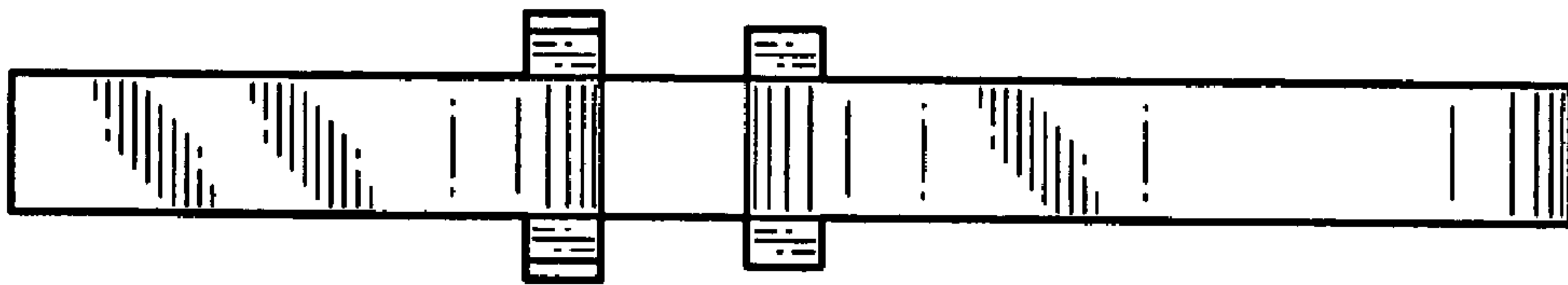


FIG. 8