

US00D562767S

(12) **United States Design Patent**
Grolmes et al.

(10) **Patent No.:** **US D562,767 S**

(45) **Date of Patent:** **** Feb. 26, 2008**

(54) **LOW VOLTAGE CONTROLLER**

(75) Inventors: **James M. Grolmes**, Antioch, IL (US);
Kenneth Quinn, Chicago, IL (US)

(73) Assignee: **Kenall Manufacturing Company**,
Gurnee, IL (US)

(**) Term: **14 Years**

(21) Appl. No.: **29/226,647**

(22) Filed: **Mar. 31, 2005**

(51) **LOC (8) Cl.** **13-03**

(52) **U.S. Cl.** **D13/124; D13/110**

(58) **Field of Classification Search** D13/110,
D13/123, 124, 125, 134, 135, 154; 174/DIG. 2;
315/194, 274, 302; 361/674

See application file for complete search history.

(56) **References Cited**

U.S. PATENT DOCUMENTS

5,253,152 A *	10/1993	Yang et al.	362/221
D356,551 S *	3/1995	Ahn	D13/110
D368,466 S *	4/1996	Ahn et al.	D13/110
D380,443 S *	7/1997	Ahn et al.	D13/110
D392,251 S *	3/1998	Altman et al.	D13/110
D440,941 S *	4/2001	Parekh	D13/134
D443,857 S *	6/2001	Kwalick, Jr.	D13/110
D476,298 S	6/2003	Lee		

D550,154 S * 9/2007 Pickard D13/110
2006/0050505 A1* 3/2006 McCarthy et al. 362/219

* cited by examiner

Primary Examiner—Daniel Bui

(74) *Attorney, Agent, or Firm*—Jansson Shupe & Munger
Ltd.

(57) **CLAIM**

The ornamental design for a low voltage controller, as
shown and described.

DESCRIPTION

FIG. 1 is a top, front and right side perspective view of a low
voltage controller, showing our new design;

FIG. 2 is a rear elevation view thereof;

FIG. 3 is a bottom plan view thereof;

FIG. 4 is a top plan view thereof;

FIG. 5 is a front elevation view thereof;

FIG. 6 is a left side elevation view thereof;

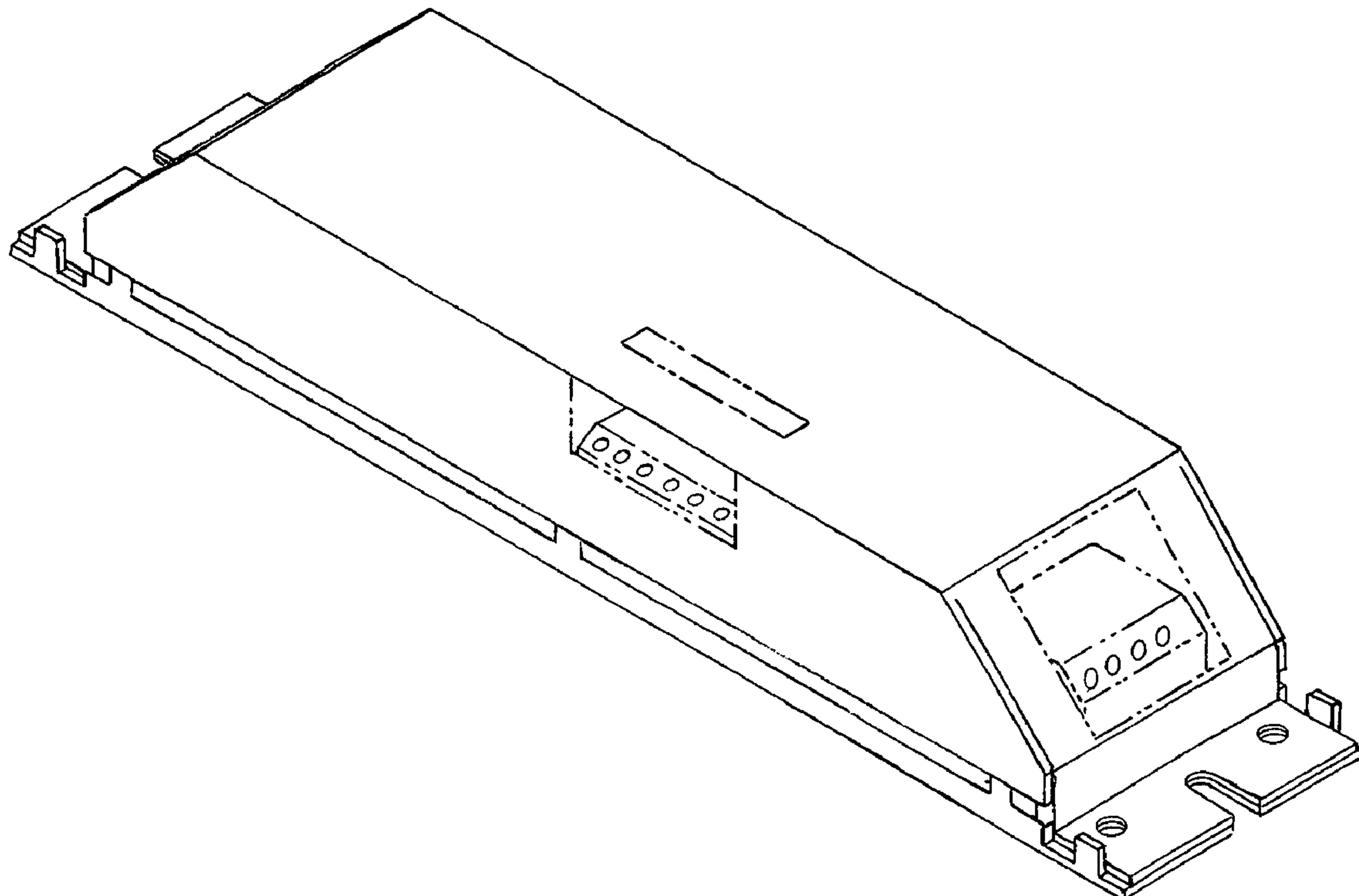
FIG. 7 is a right side elevation view thereof;

FIG. 8 is a top plan view thereof, in use condition; and,

FIG. 9 is a top perspective view thereof.

The broken line showing of the environment is for illustra-
tive purposes only and forms no part of the claimed design.

1 Claim, 4 Drawing Sheets



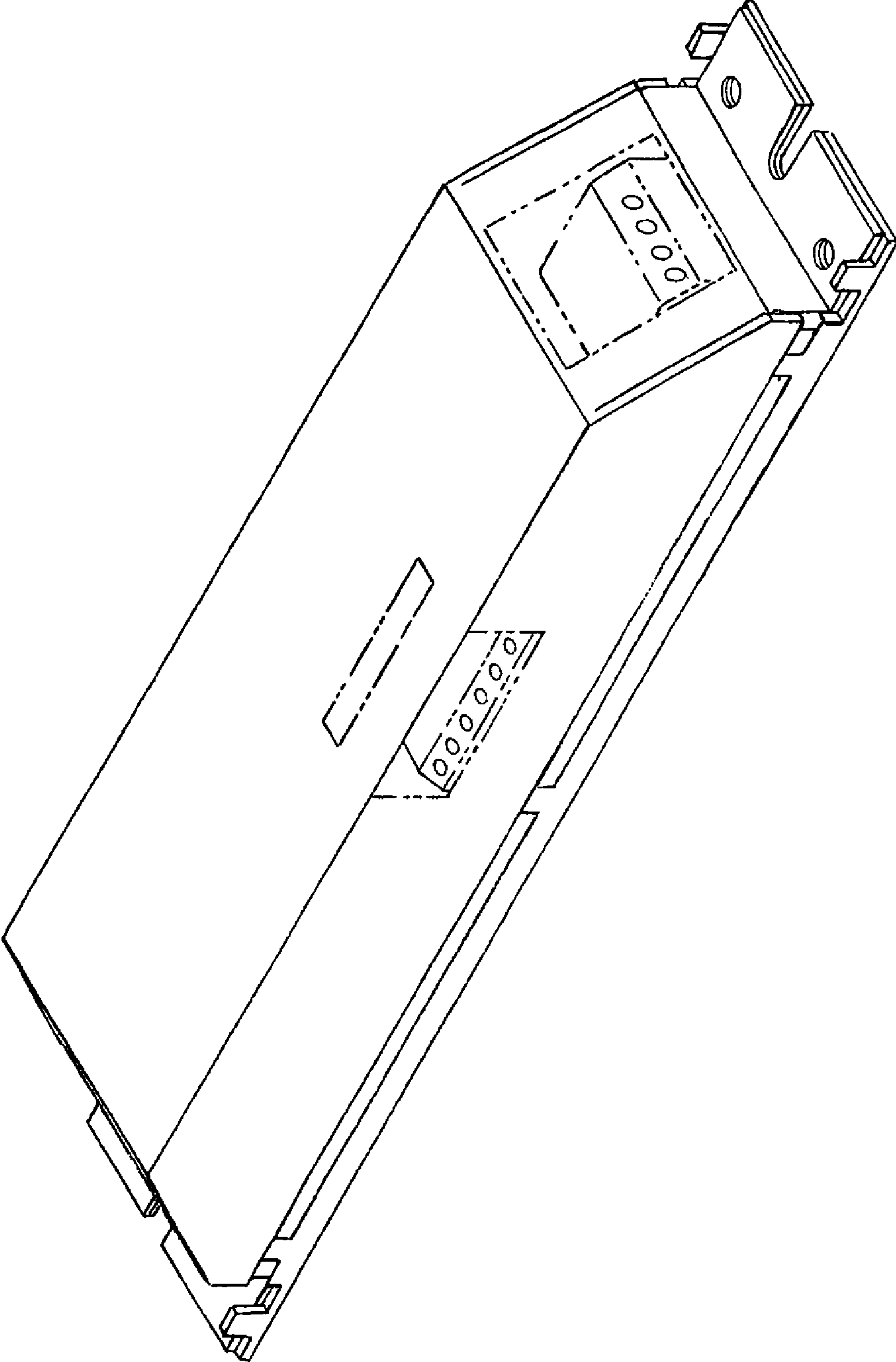


FIG. 1

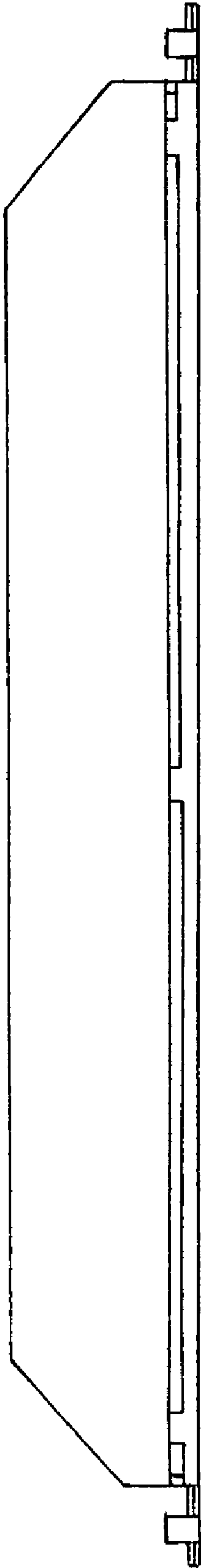


FIG. 2

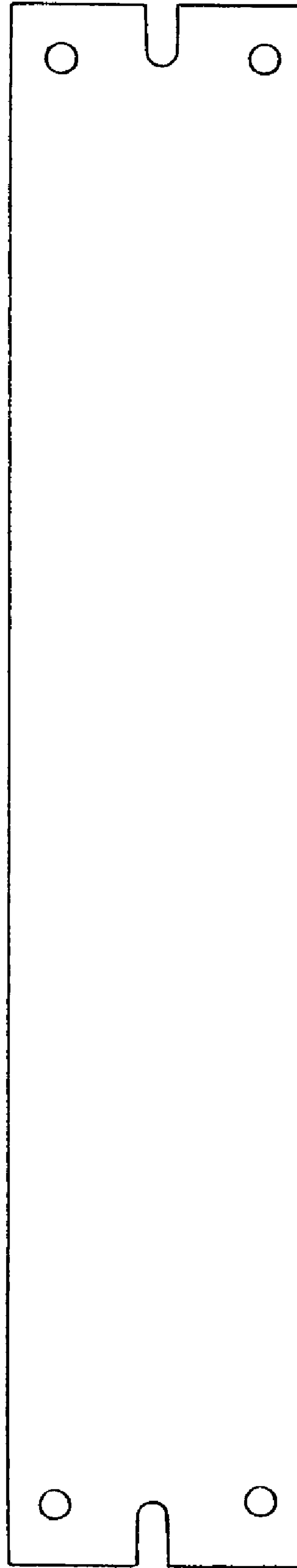


FIG. 3

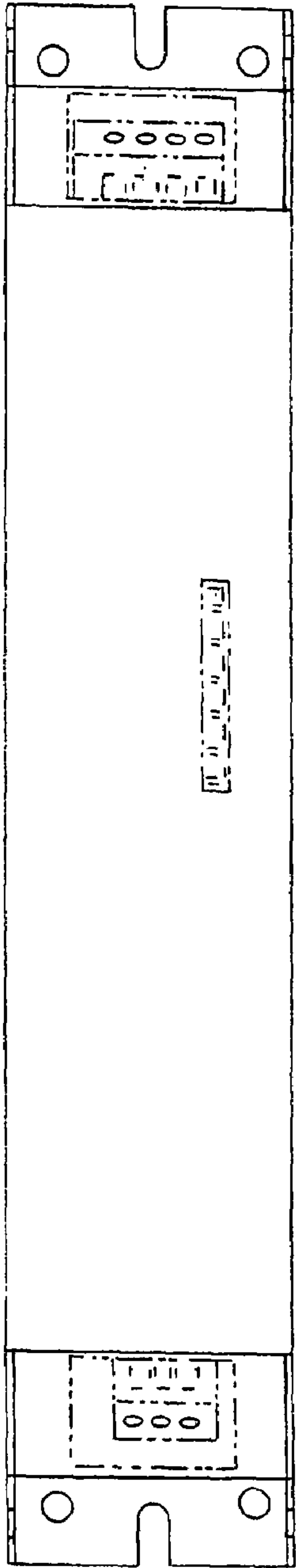


FIG. 4

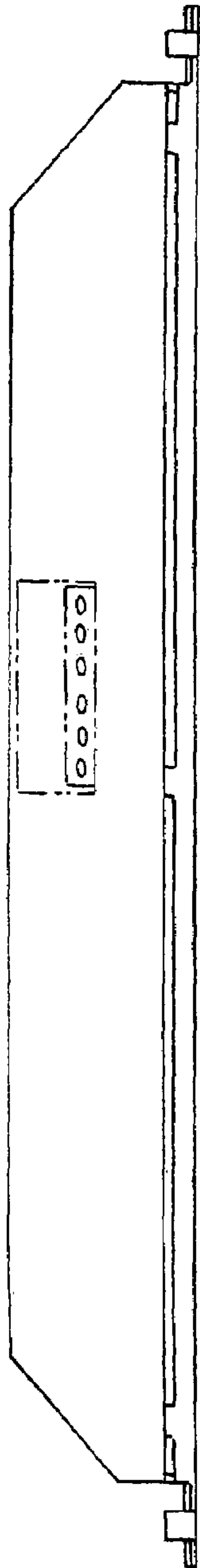


FIG. 5

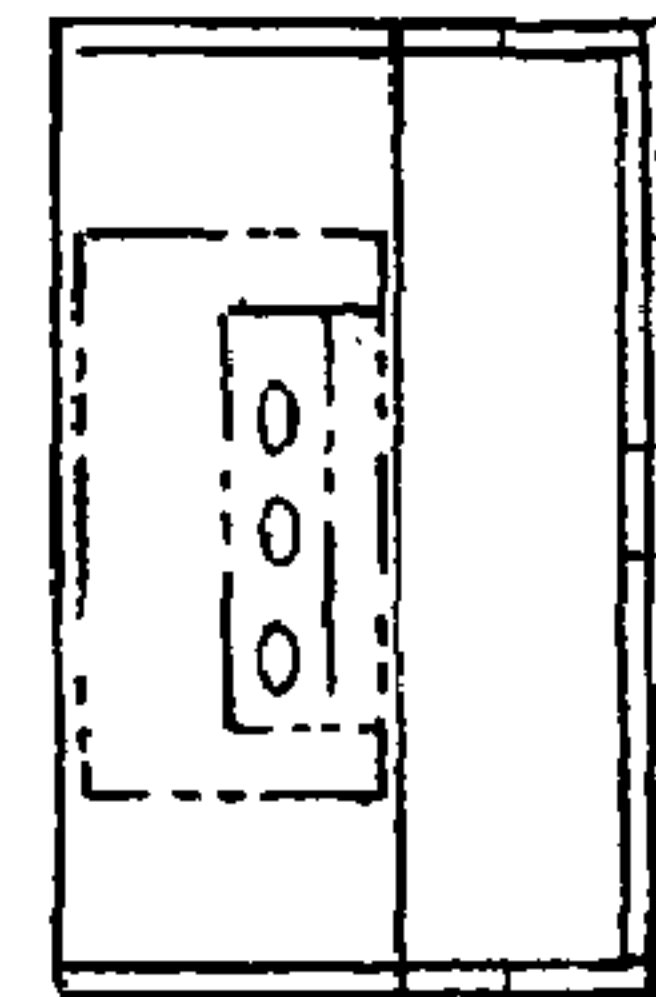


FIG. 6

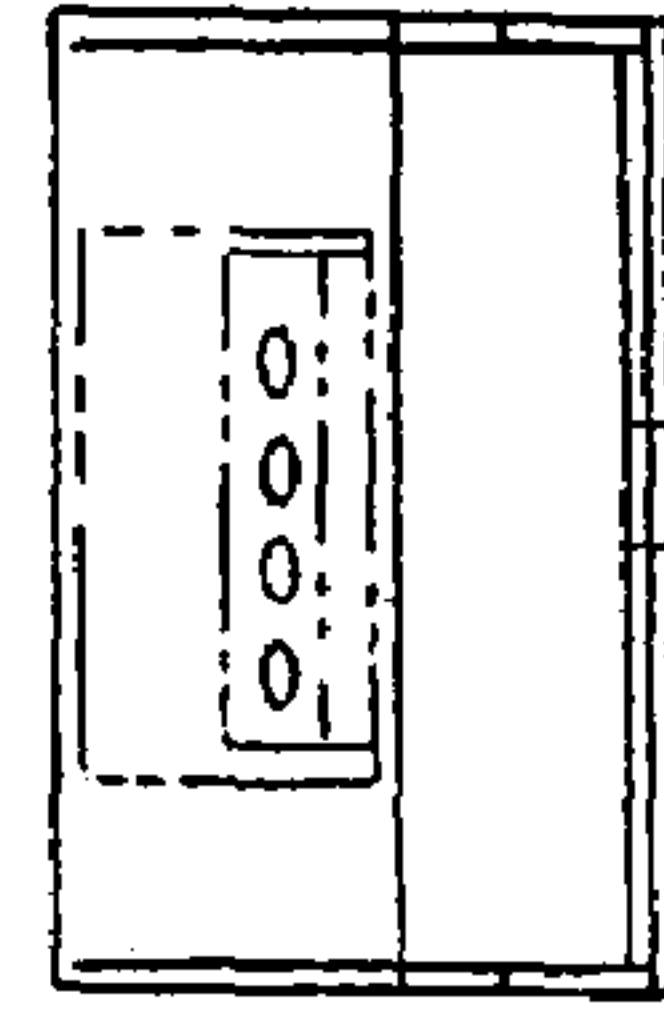


FIG. 7

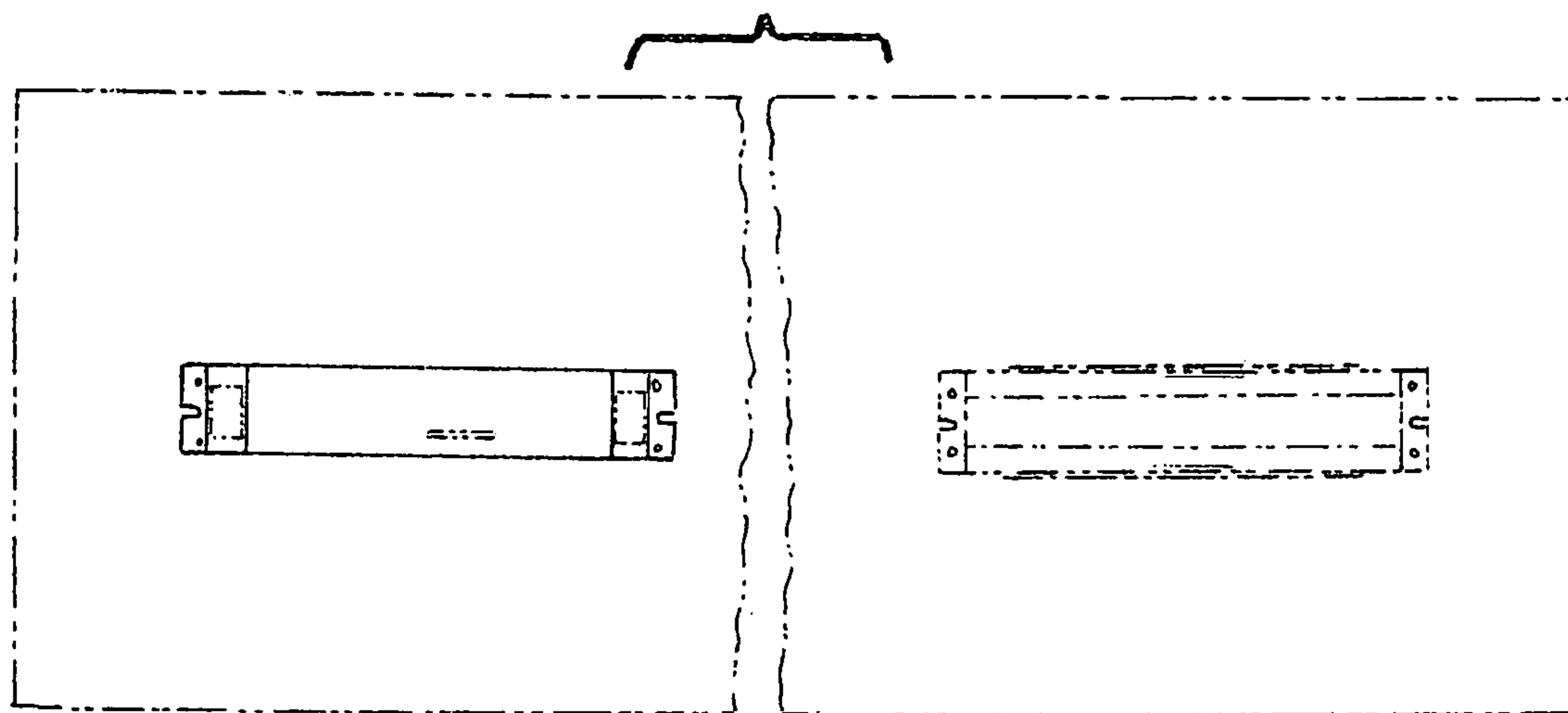


FIG. 8

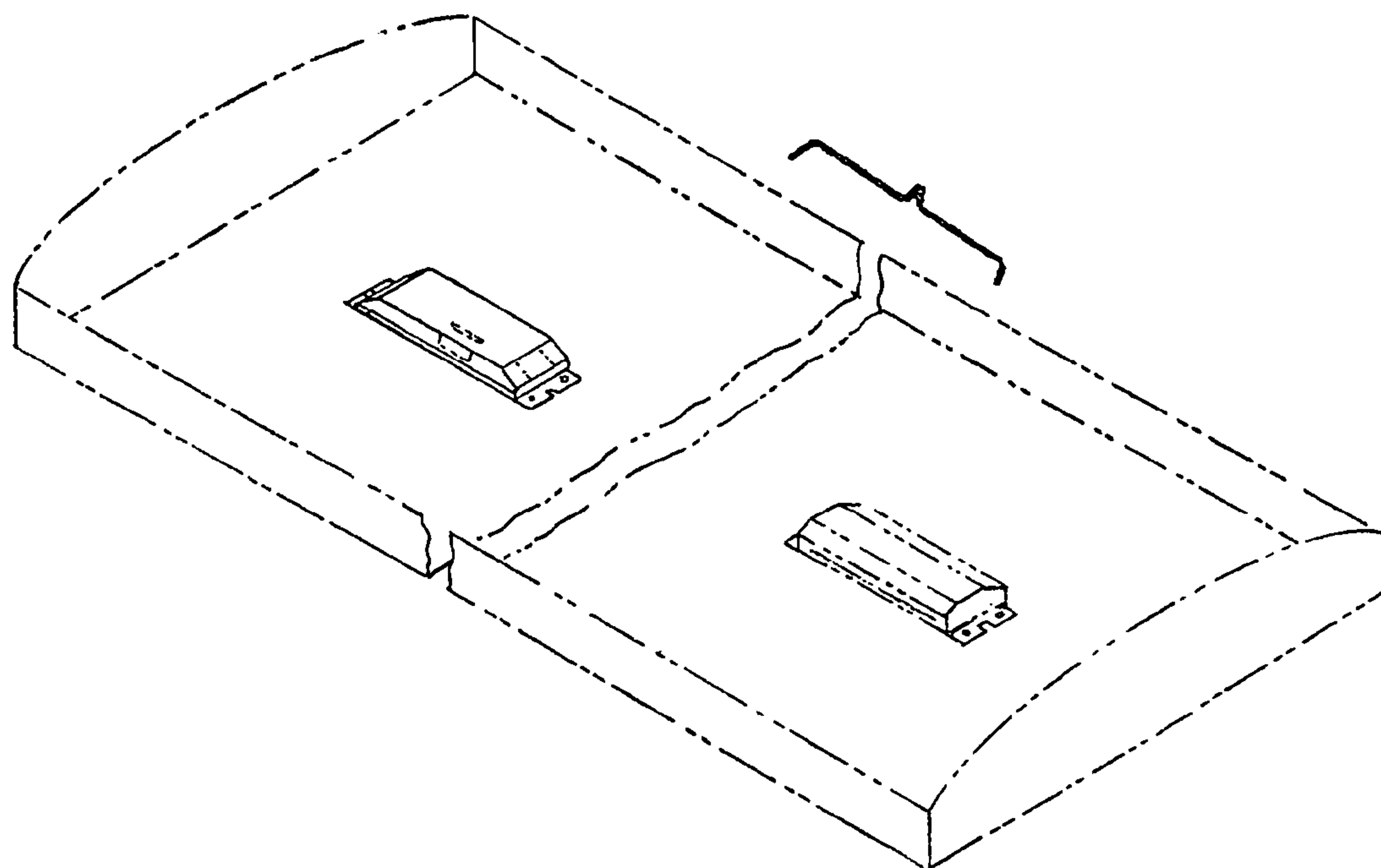


FIG. 9