



US00D562766S

(12) **United States Design Patent**
Yang

(10) **Patent No.:** **US D562,766 S**

(45) **Date of Patent:** **** Feb. 26, 2008**

(54) **POWER ADAPTOR**

(76) Inventor: **Hsien-Lin Yang**, 6F., No. 3, Lane 68,
San Min Rd., Sung Shan District, Taipei
City (TW)

(**) Term: **14 Years**

(21) Appl. No.: **29/278,338**

(22) Filed: **Mar. 27, 2007**

(51) **LOC (8) Cl.** **13-02**

(52) **U.S. Cl.** **D13/110; D13/138.2**

(58) **Field of Classification Search** D13/107,
D13/108, 110, 133, 137.1-137.3, 139.1, 139.3,
D13/184; D14/433; 174/53-58, 66; 439/105-107,
439/535, 650-655, 692; 320/107, 111, 112;
363/146; 307/150, 151
See application file for complete search history.

(56) **References Cited**

U.S. PATENT DOCUMENTS

D338,188 S *	8/1993	Lee et al.	D13/110
D394,641 S *	5/1998	Seragnoli	D13/108
5,973,948 A *	10/1999	Hahn et al.	363/146
D425,480 S *	5/2000	Jokinen	D13/107
6,086,395 A *	7/2000	Lloyd et al.	439/172
D446,185 S *	8/2001	Saastamoinen et al.	D13/108
D449,030 S *	10/2001	Baxter et al.	D13/110

D452,842 S *	1/2002	Kajiwara et al.	D13/110
D454,537 S *	3/2002	O'Connor et al.	D13/110
D456,008 S *	4/2002	Kawanobe et al.	D13/110
D481,674 S *	11/2003	Sade et al.	D13/108
2003/0151938 A1 *	8/2003	Liao	363/146
2006/0226808 A1 *	10/2006	Hung	320/111

* cited by examiner

Primary Examiner—Robin V. Webster
Assistant Examiner—Rosemary K Tarcza
(74) *Attorney, Agent, or Firm*—Leong C. Lei

(57) **CLAIM**

The ornamental design for a power adaptor, as shown and described.

DESCRIPTION

FIG. 1 is a perspective view of a power adaptor showing my new design;

FIG. 2 is a front side elevational view thereof;

FIG. 3 is rear side elevational view thereof;

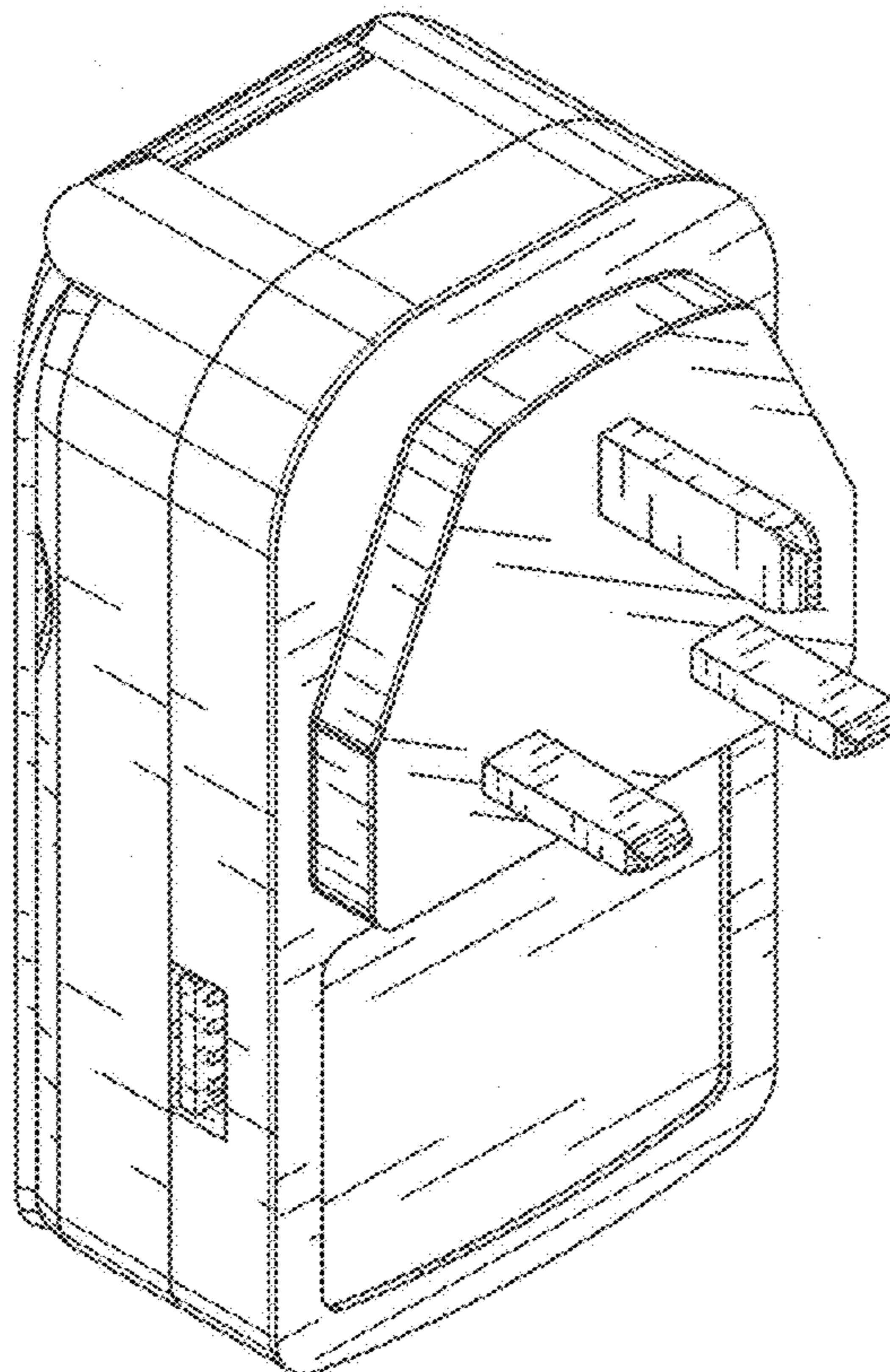
FIG. 4 is a left elevational view thereof;

FIG. 5 is a right elevational view thereof

FIG. 6 is a top plan view thereof; and,

FIG. 7 is a bottom plan view thereof.

1 Claim, 4 Drawing Sheets



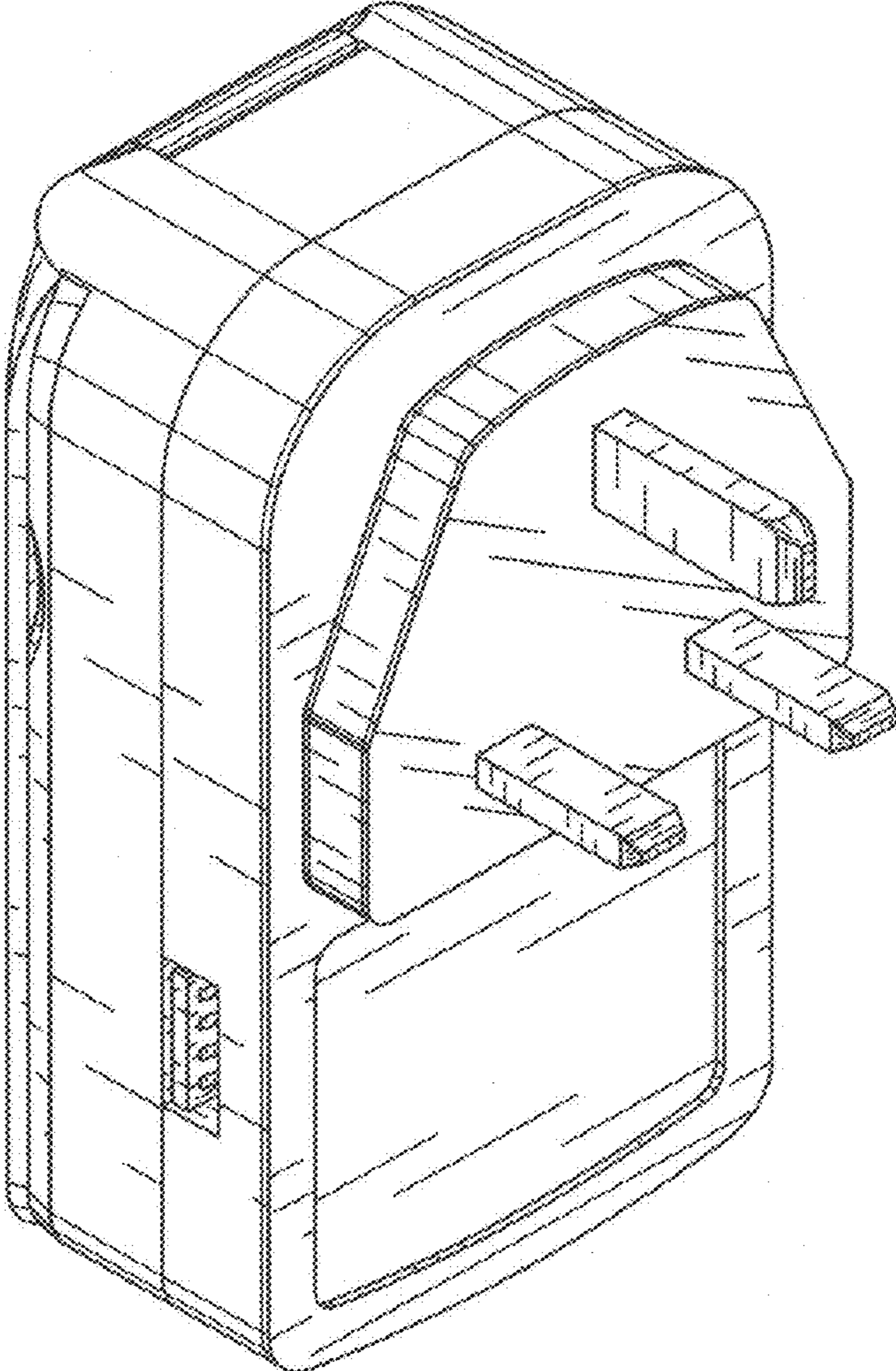


FIG. 1

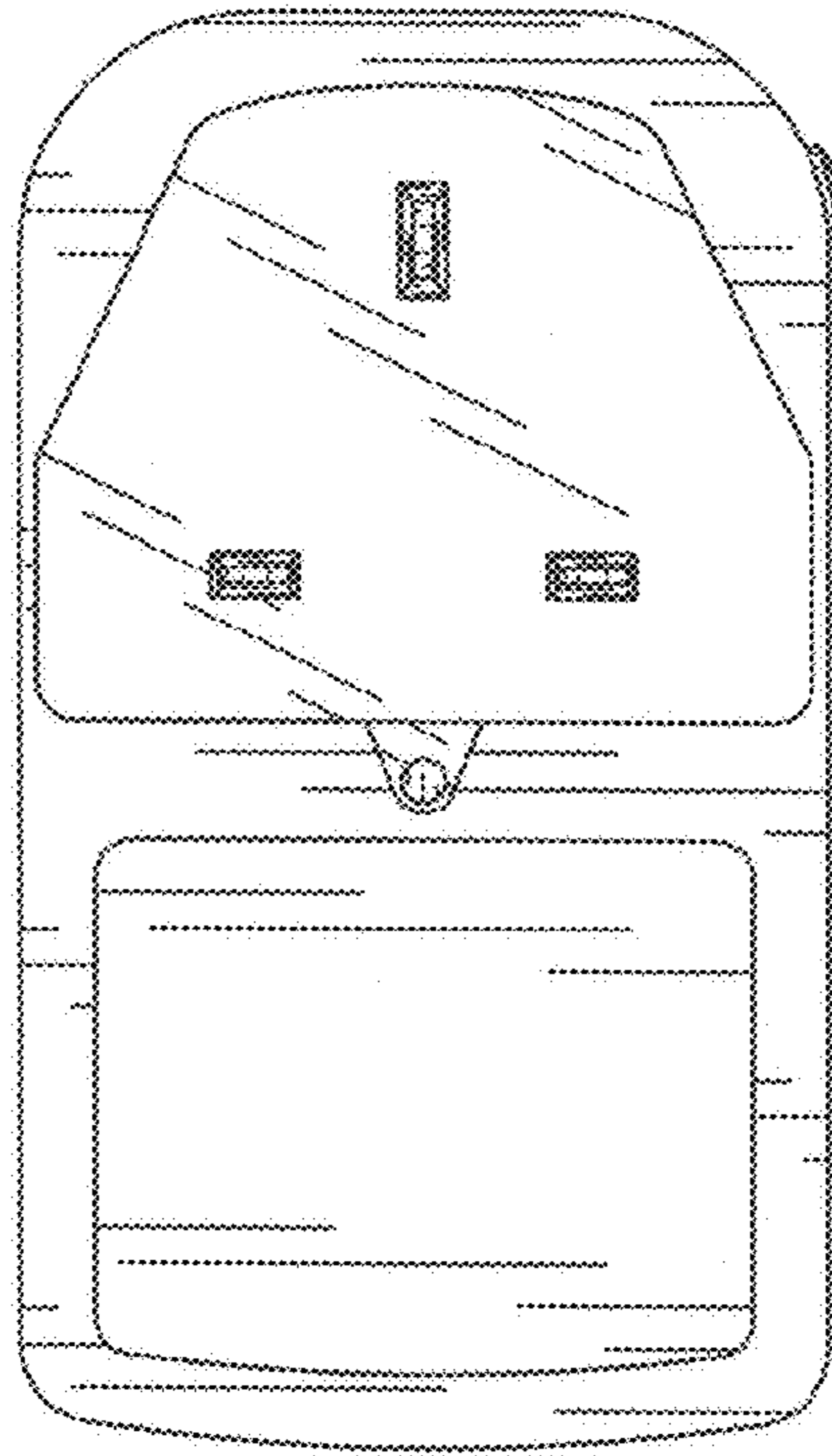


FIG. 2

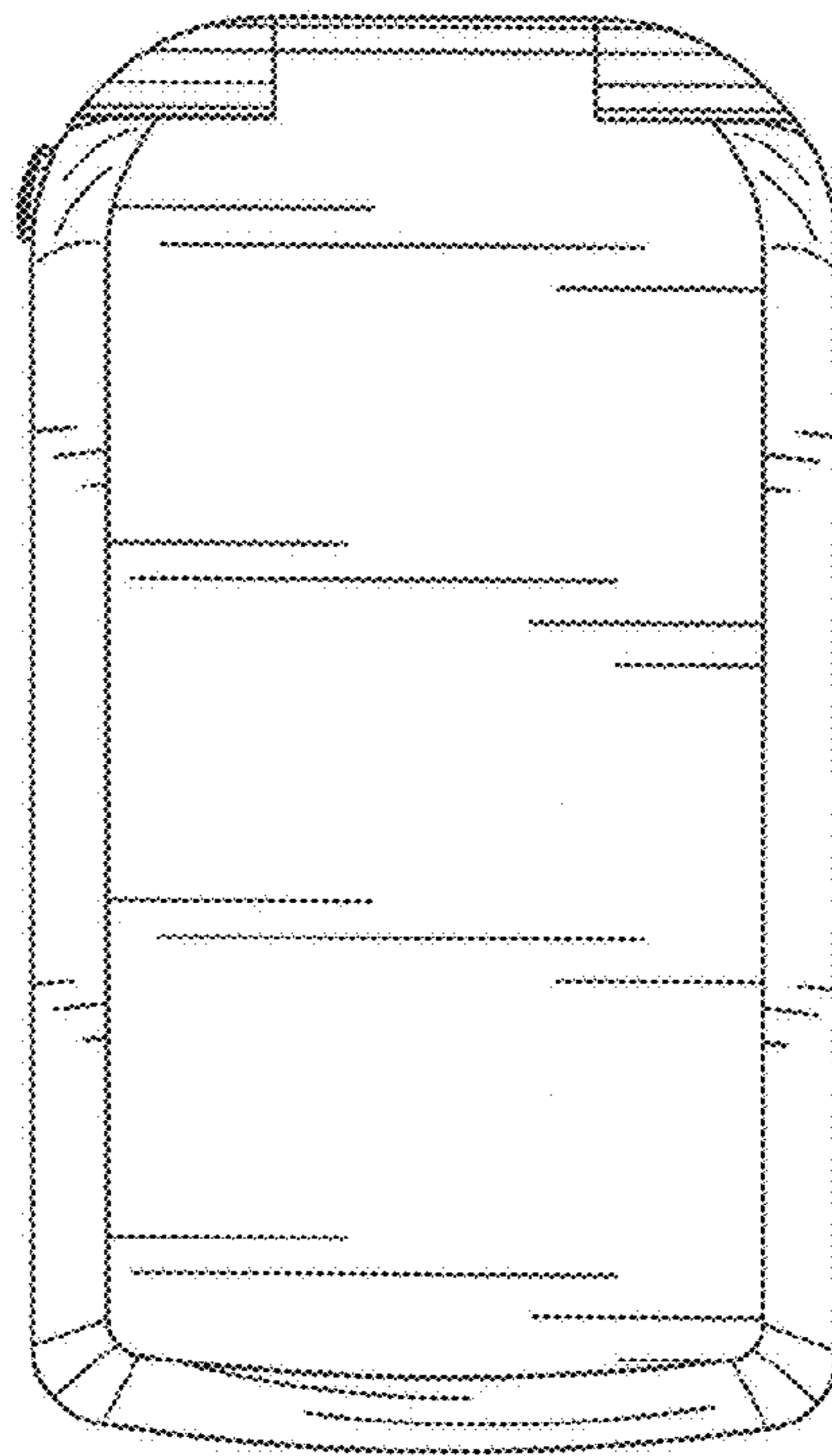


FIG. 3

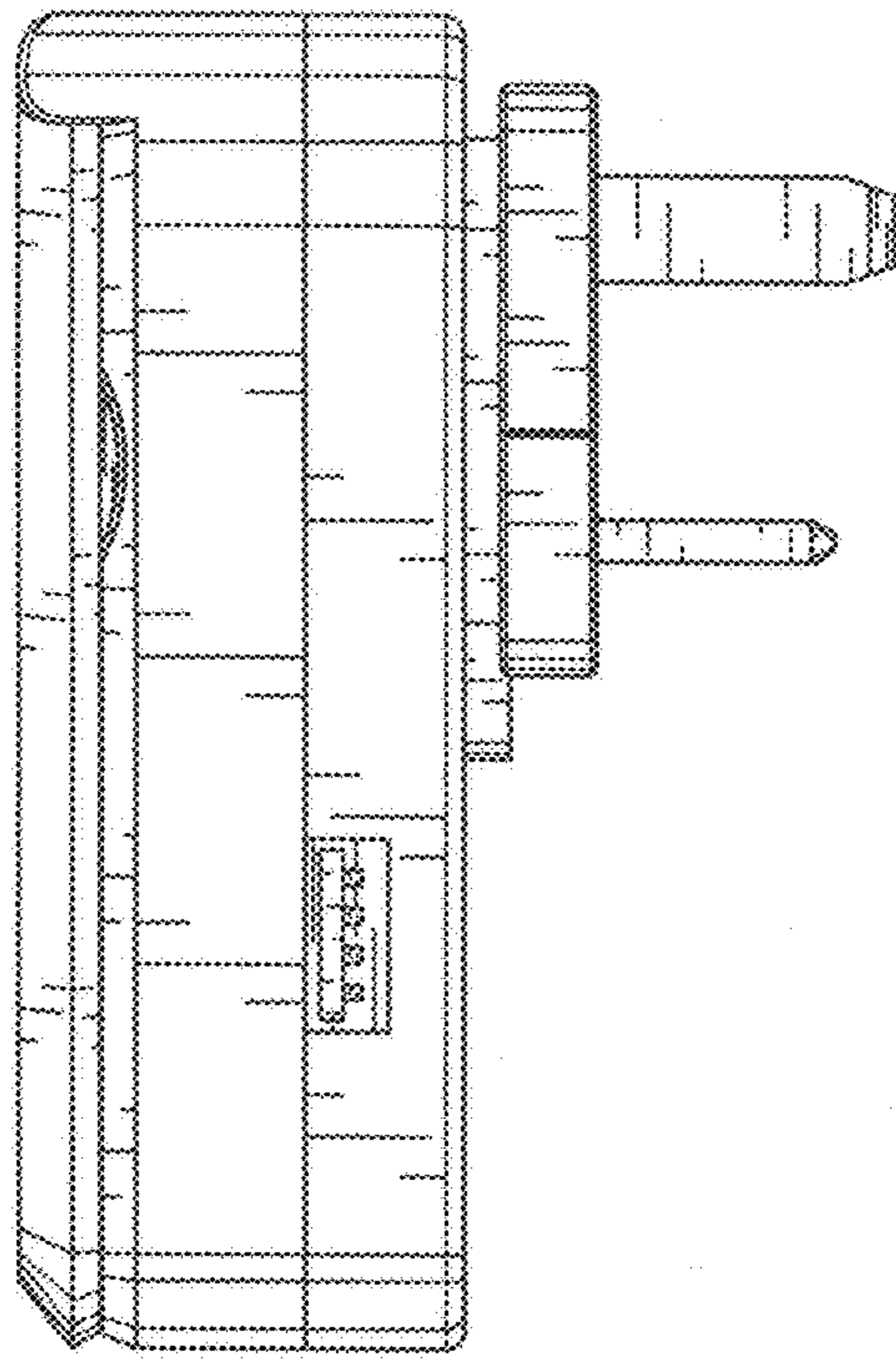


FIG. 4

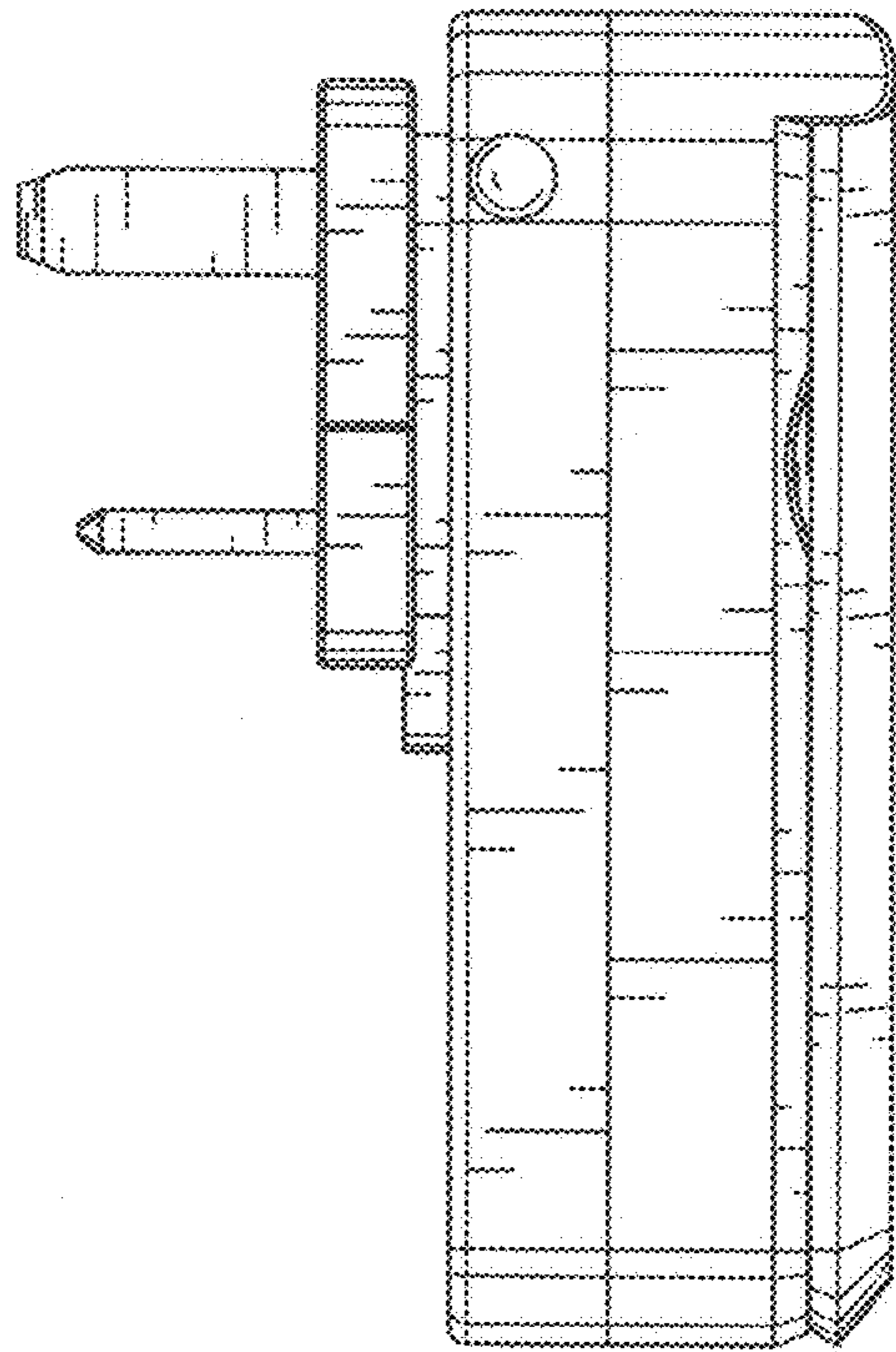


FIG. 5

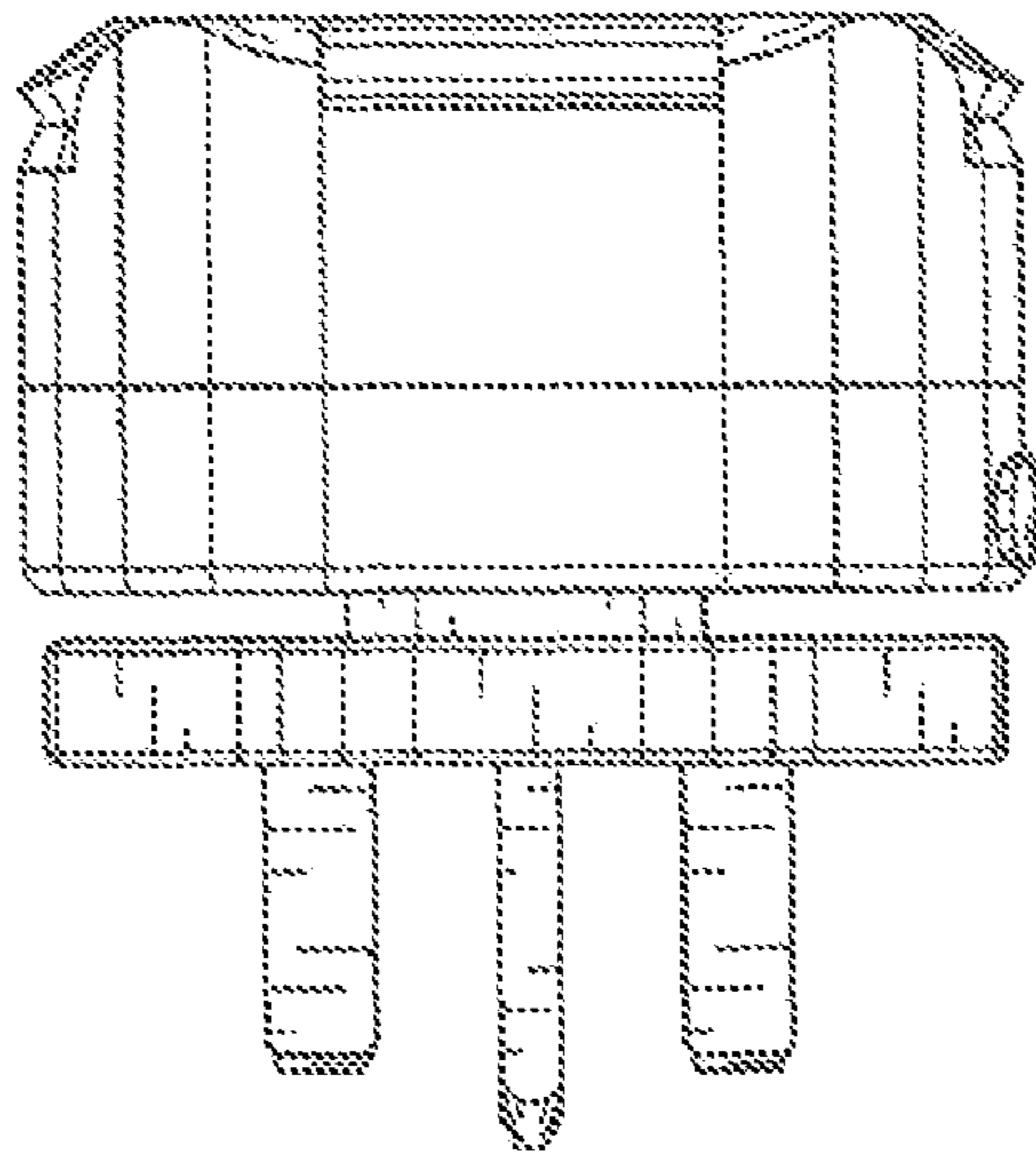


FIG. 6

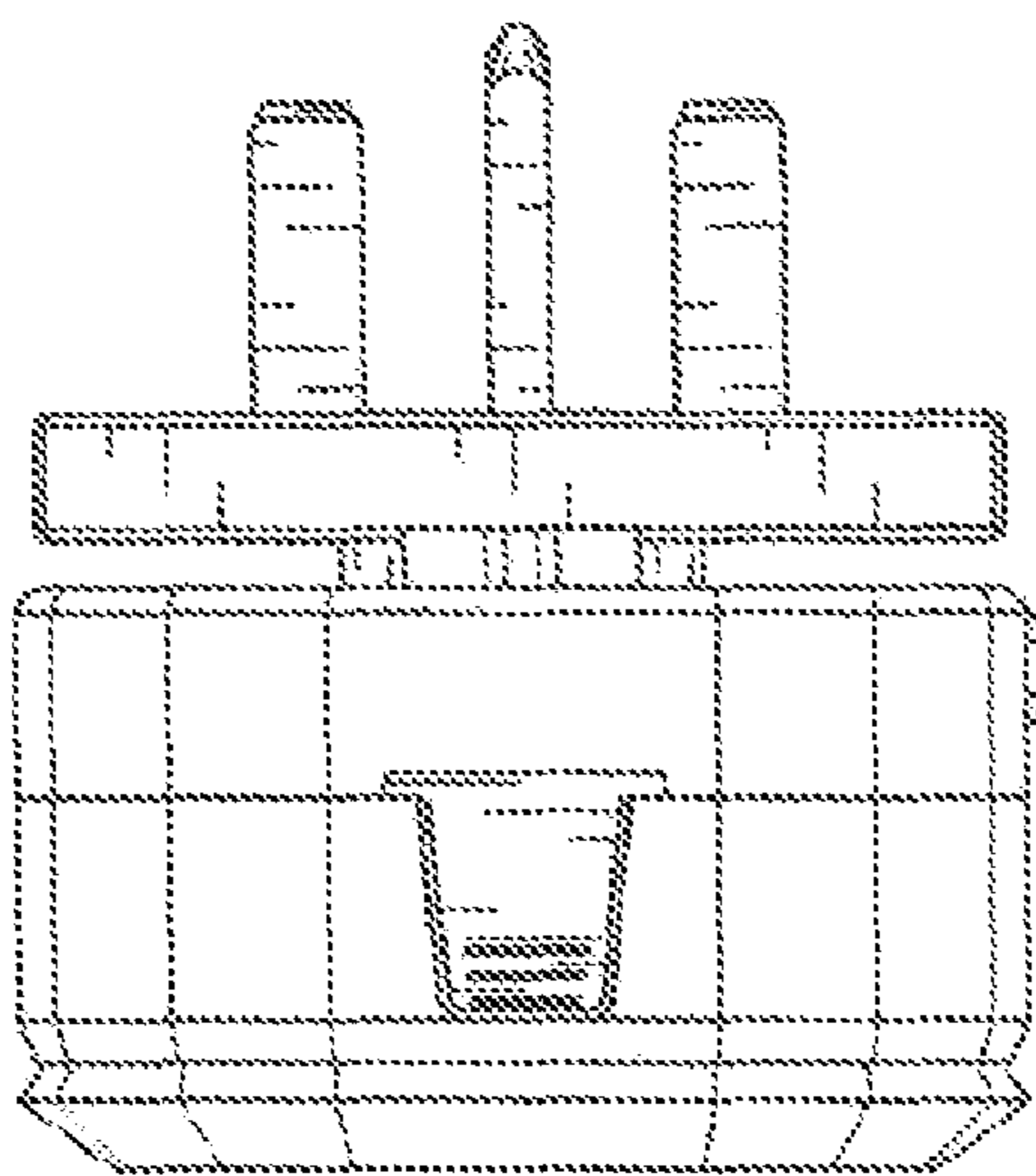


FIG. 7