



US00D562762S

(12) **United States Design Patent** (10) **Patent No.:** **US D562,762 S**  
**Saddlemire et al.** (45) **Date of Patent:** **\*\* Feb. 26, 2008**

(54) **CHARGING STATION FOR A PORTABLE ILLUMINATION ASSEMBLY**

D516,023 S \* 2/2006 Quinn ..... D13/108  
D541,740 S \* 5/2007 Tsai et al. .... D13/108  
D549,647 S \* 8/2007 Nishizawa ..... D13/108

(75) Inventors: **Dale C. Saddlemire**, Cortland, NY (US); **Michael T. McMahon**, Syracuse, NY (US); **Susan E. Dubay**, Syracuse, NY (US); **Scott W. Osiecki**, Skaneateles, NY (US); **Donwoong Kang**, Camillus, NY (US)

FOREIGN PATENT DOCUMENTS

WO WO-2006/107877 A2 10/2006  
WO WO-2006/107878 A2 10/2006  
WO WO-2006/121530 A2 11/2006

\* cited by examiner

(73) Assignee: **Welch Allyn, Inc.**, Skaneateles Falls, NY (US)

*Primary Examiner*—Cathron Brooks  
*Assistant Examiner*—Rosemary K Tarcza  
(74) *Attorney, Agent, or Firm*—Hiscock & Barclay, LLP

(\*\*) Term: **14 Years**

(57) **CLAIM**

(21) Appl. No.: **29/285,521**

The ornamental design for a charging station for a portable illumination assembly, as shown and described.

(22) Filed: **Mar. 30, 2007**

(51) **LOC (8) Cl.** ..... **13-02**

(52) **U.S. Cl.** ..... **D13/108**

(58) **Field of Classification Search** ..... D13/107–110, D13/118–119, 184; D14/251, 253, 432, D14/434; 320/107–115

**DESCRIPTION**

See application file for complete search history.

FIG. 1 is a top perspective view of a charging station for a portable illumination assembly, illustrating our new design;

FIG. 2 is a front side view thereof;

FIG. 3 is a left side view thereof, depicting in phantom, an illumination assembly shown as partially attached therewith in a use condition thereof, the right side view of the charging station being a mirror image thereof;

FIG. 4 is a top plan view thereof;

FIG. 5 is a bottom view thereof; and,

FIG. 6 is a rear side view thereof.

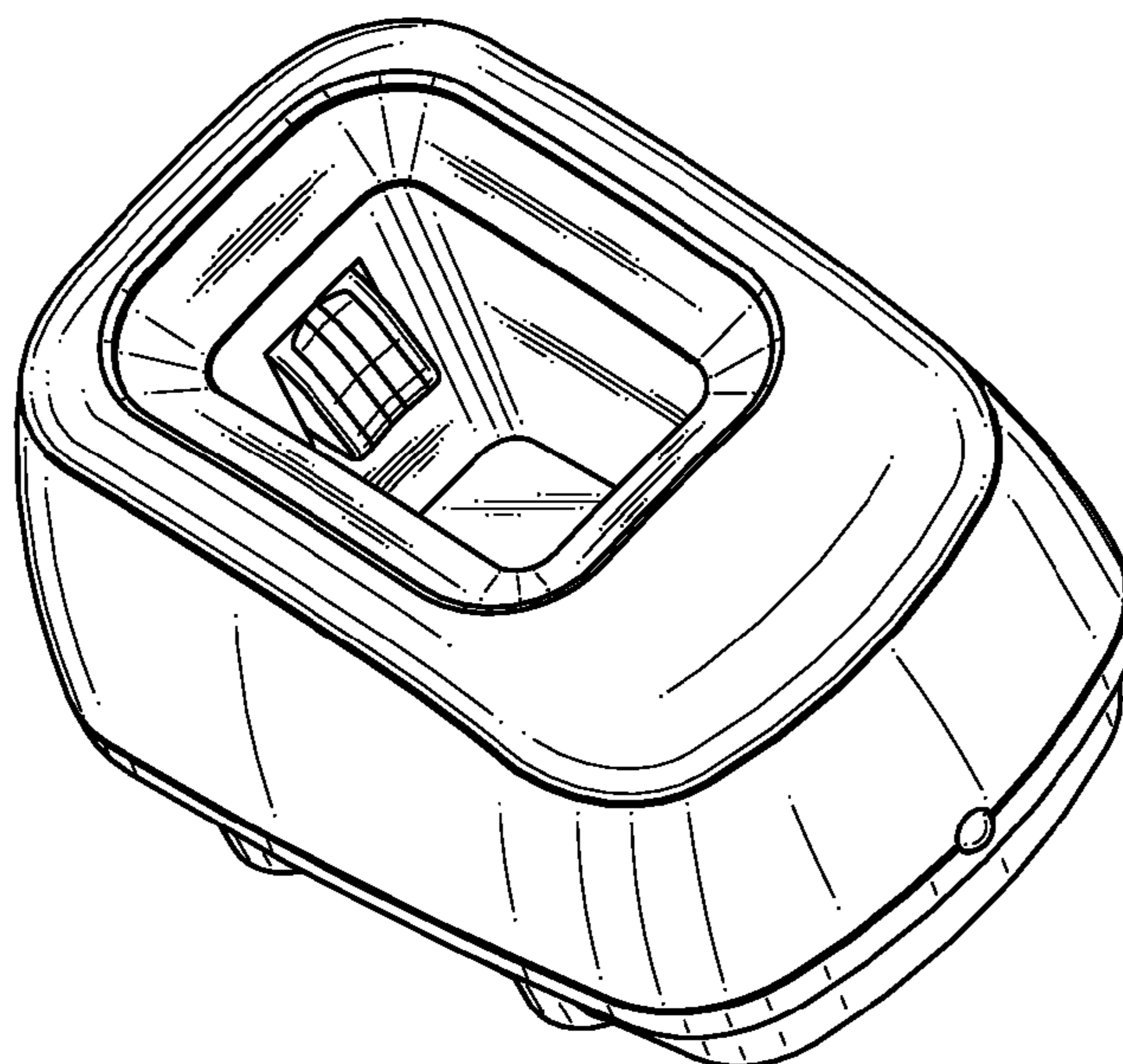
The broken line showing is included for the purpose of illustrating environmental features and forms no part of the claimed design.

(56) **References Cited**

U.S. PATENT DOCUMENTS

D322,061 S \* 12/1991 Watanabe ..... D13/108  
D342,718 S \* 12/1993 Mackay ..... D13/108  
D345,728 S \* 4/1994 Tyneski et al. .... D13/108  
D354,287 S \* 1/1995 Tokiyama ..... D14/253  
D395,280 S \* 6/1998 Phelps ..... D13/108  
D400,499 S \* 11/1998 Bunyea ..... D13/107  
D413,097 S \* 8/1999 Chang ..... D13/107  
D422,556 S \* 4/2000 Okura et al. .... D13/107  
D471,578 S \* 3/2003 Okuley ..... D16/242  
D515,502 S \* 2/2006 Wen ..... D13/108

**1 Claim, 2 Drawing Sheets**



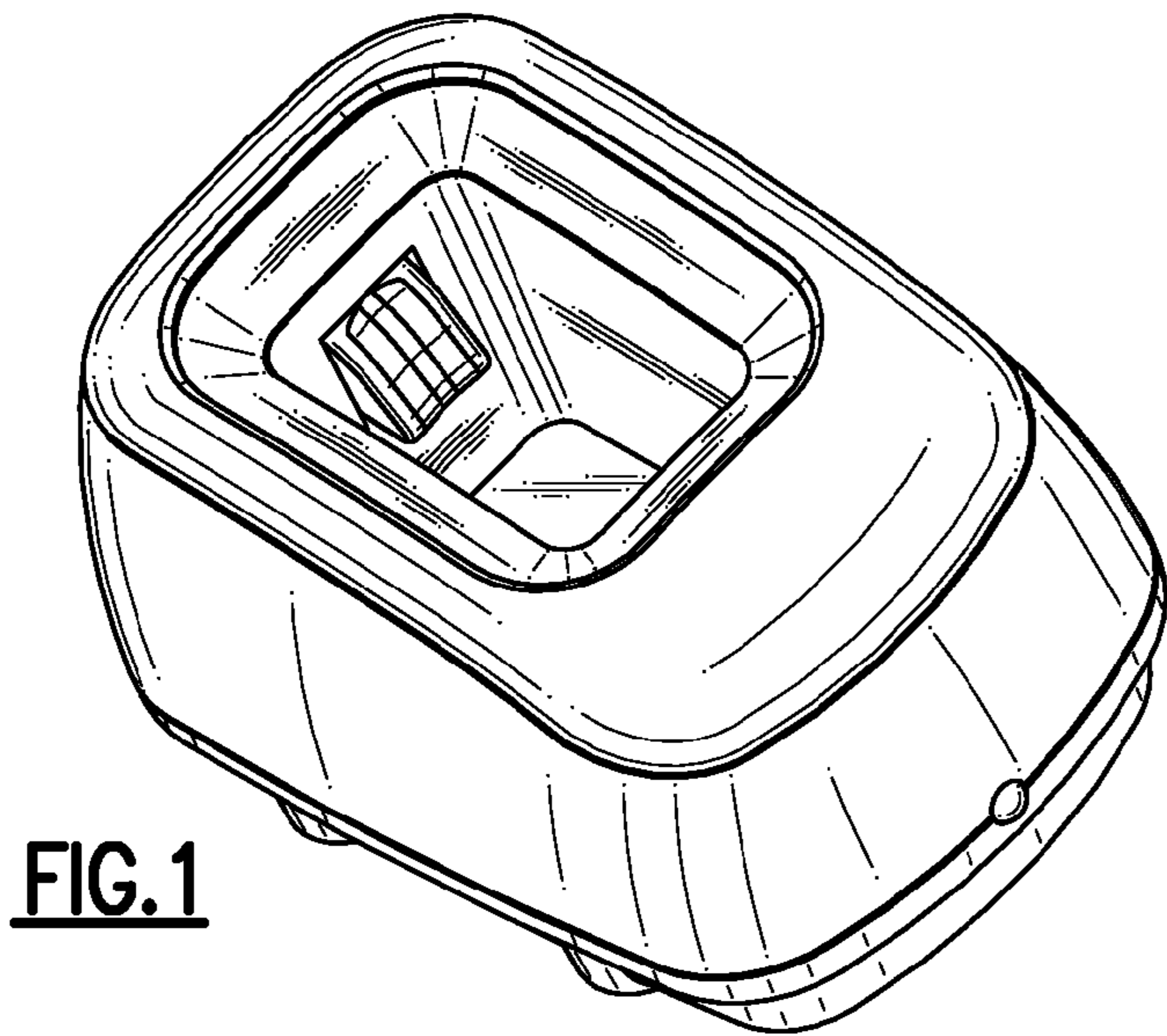


FIG. 1

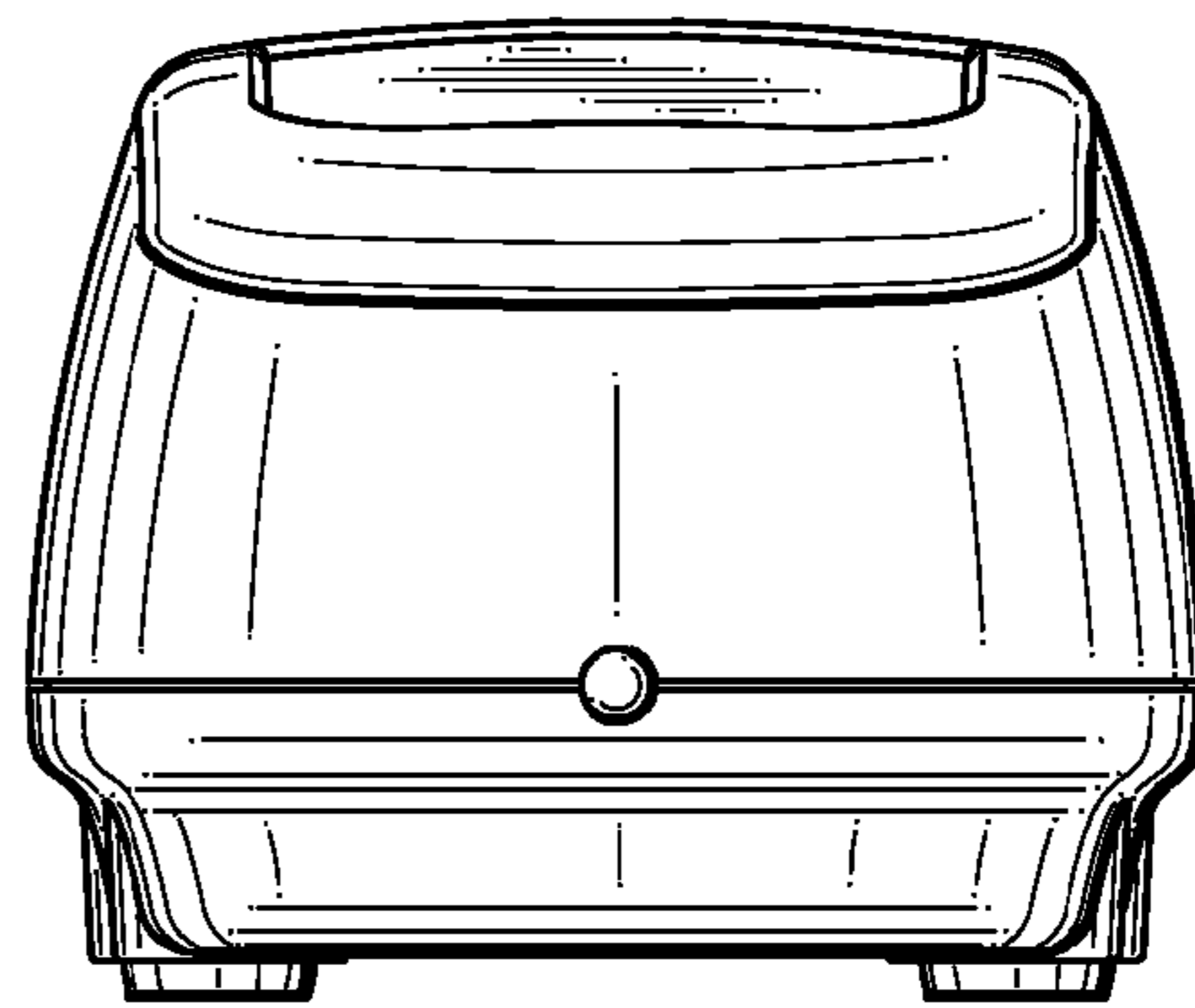


FIG. 2

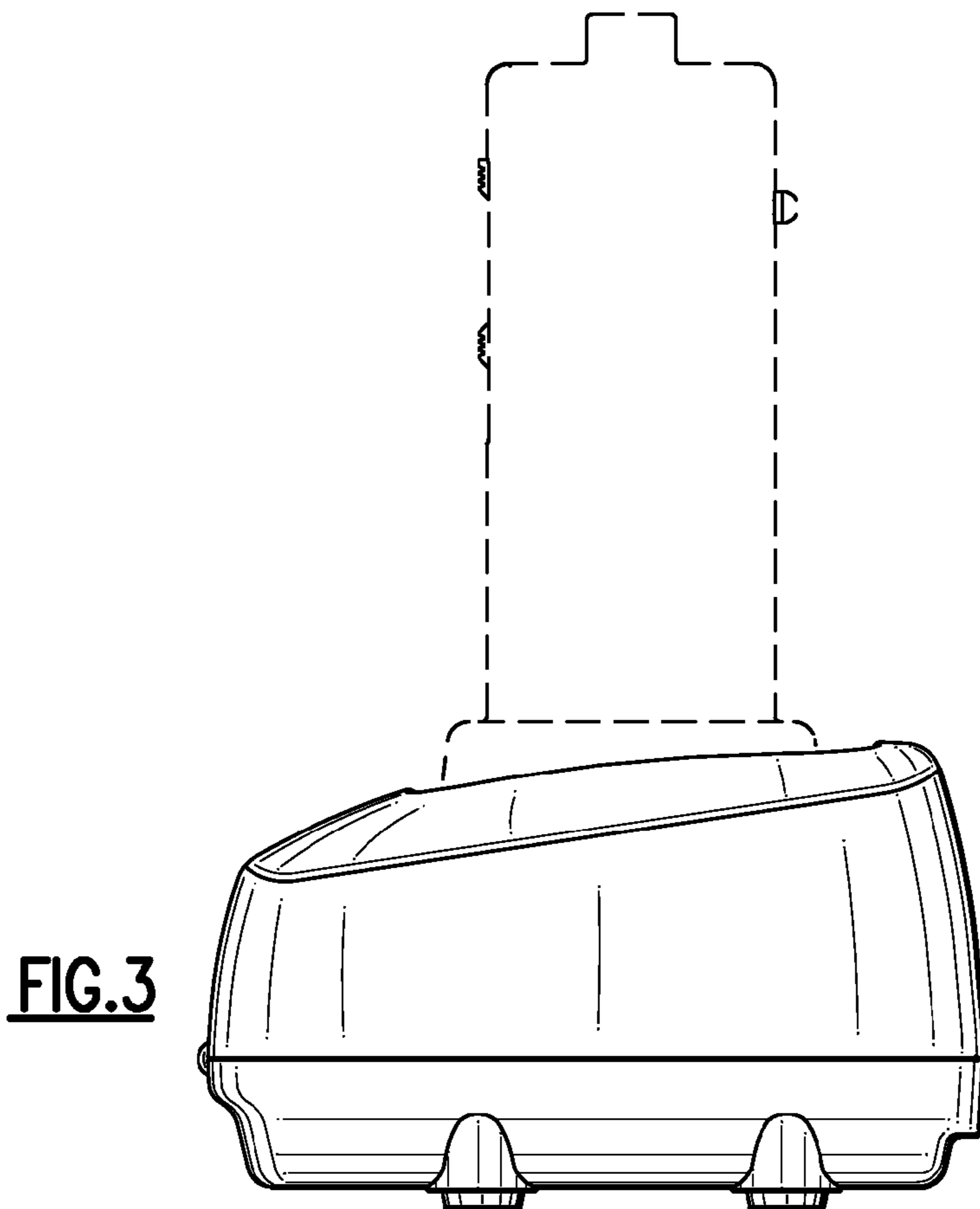


FIG. 3

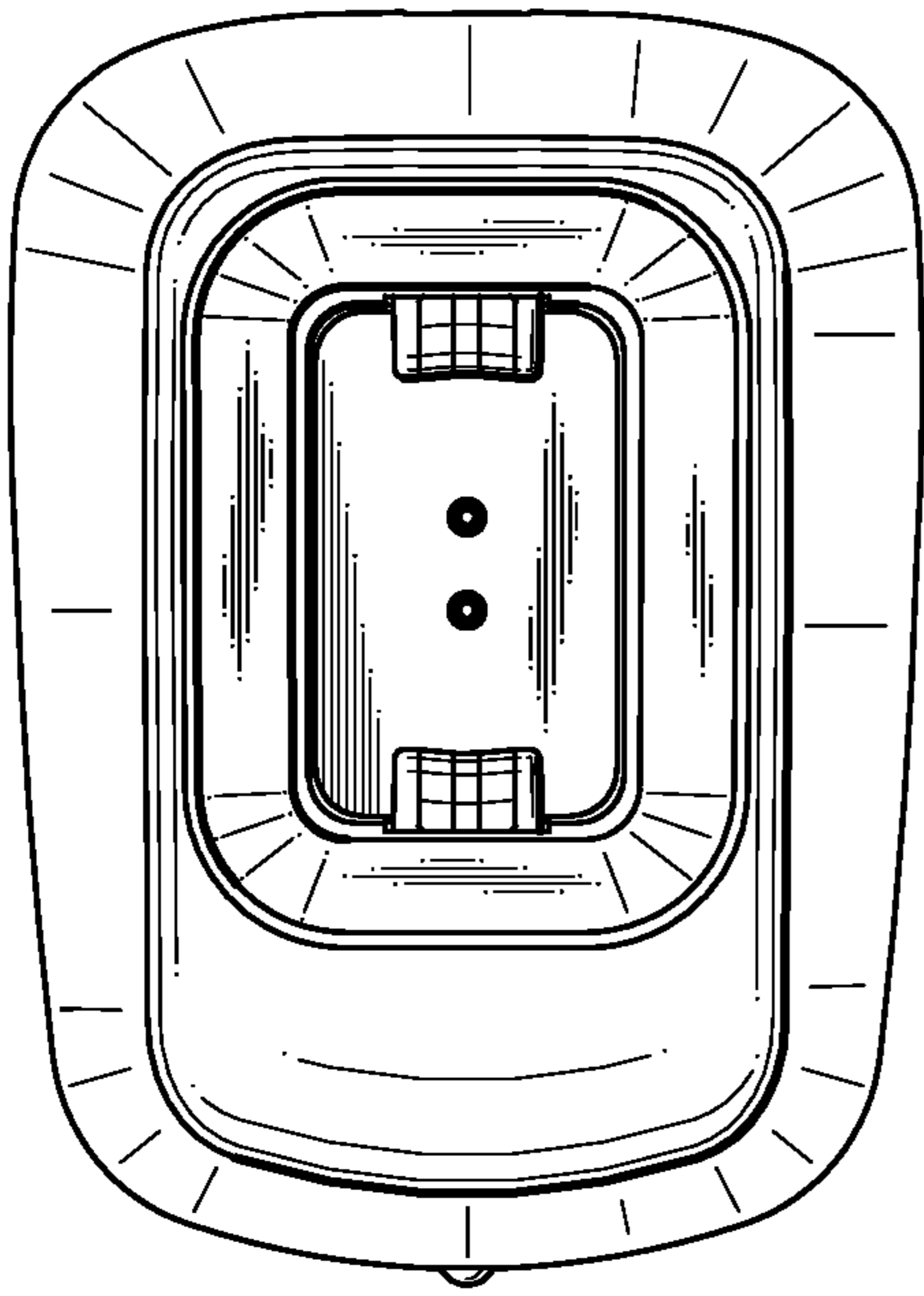


FIG. 4

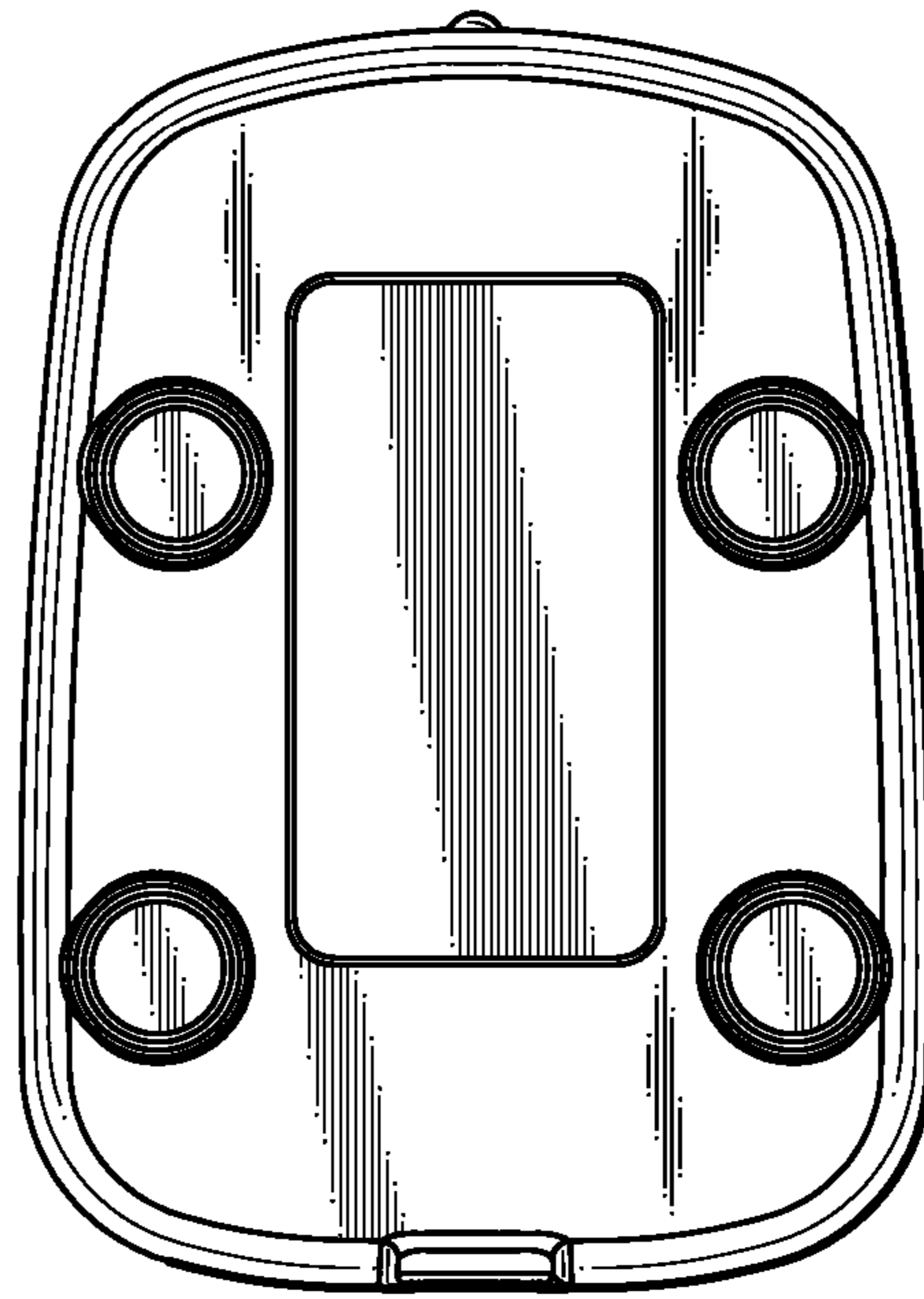


FIG. 5

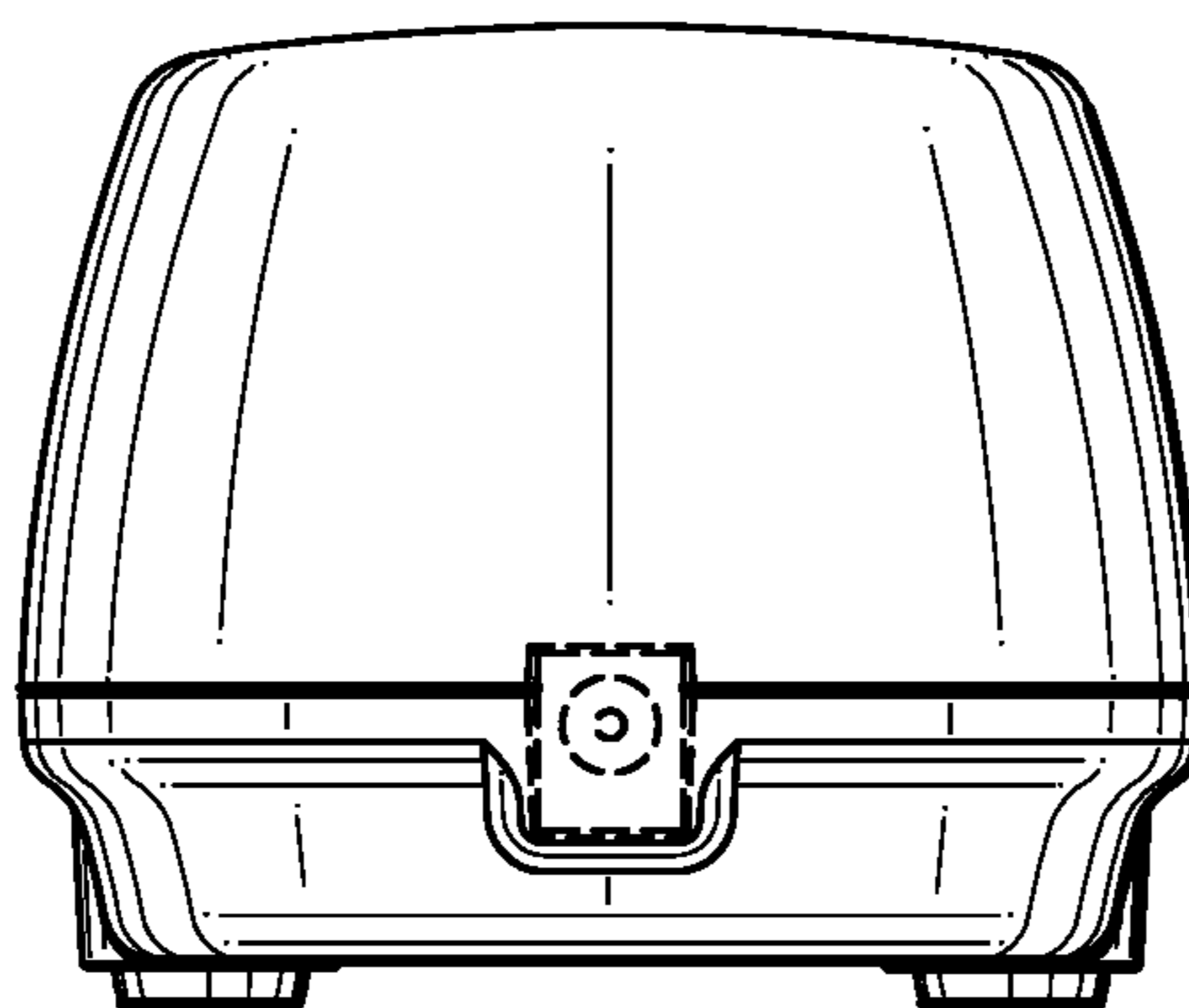


FIG. 6