



US00D562759S

(12) **United States Design Patent**
Fitch et al.

(10) **Patent No.:** **US D562,759 S**
(45) **Date of Patent:** **** Feb. 26, 2008**

(54) **BATTERY**

(75) Inventors: **Timothy R. Fitch**, Syracuse, NY (US);
Gerard F. Beckhusen, Baldwinsville,
NY (US)

(73) Assignee: **Hand Held Products, Inc.**, Skaneateles
Falls, NY (US)

(**) Term: **14 Years**

(21) Appl. No.: **29/248,472**

(22) Filed: **Aug. 17, 2006**

(51) **LOC (8) Cl.** **13-02**

(52) **U.S. Cl.** **D13/103**

(58) **Field of Classification Search** D13/102-106,
D13/110, 118-119, 184; 429/96-100, 163,
429/176

See application file for complete search history.

(56) **References Cited**

U.S. PATENT DOCUMENTS

D328,733 S *	8/1992	Seymour	D13/103
D389,116 S *	1/1998	Nuovo et al.	D13/103
D389,455 S *	1/1998	Lindahl	D13/103
D392,939 S *	3/1998	Finke-Anlauff	D13/103
D395,278 S *	6/1998	Nakui	D13/103
D395,422 S *	6/1998	Sorensen et al.	D13/103
D401,554 S *	11/1998	Nagele et al.	D13/119
D405,752 S *	2/1999	Mason	D13/103
D413,857 S *	9/1999	Peterzell et al.	D13/103
D417,428 S *	12/1999	Kolinen et al.	D13/103
D425,859 S *	5/2000	Oliver et al.	D13/119

D439,879 S * 4/2001 Rotundo D13/103
6,529,714 B1 * 3/2003 Nakamura et al. 455/575.1

* cited by examiner

Primary Examiner—Alan P. Douglas
Assistant Examiner—Rosemary K. Tarcza

(57) **CLAIM**

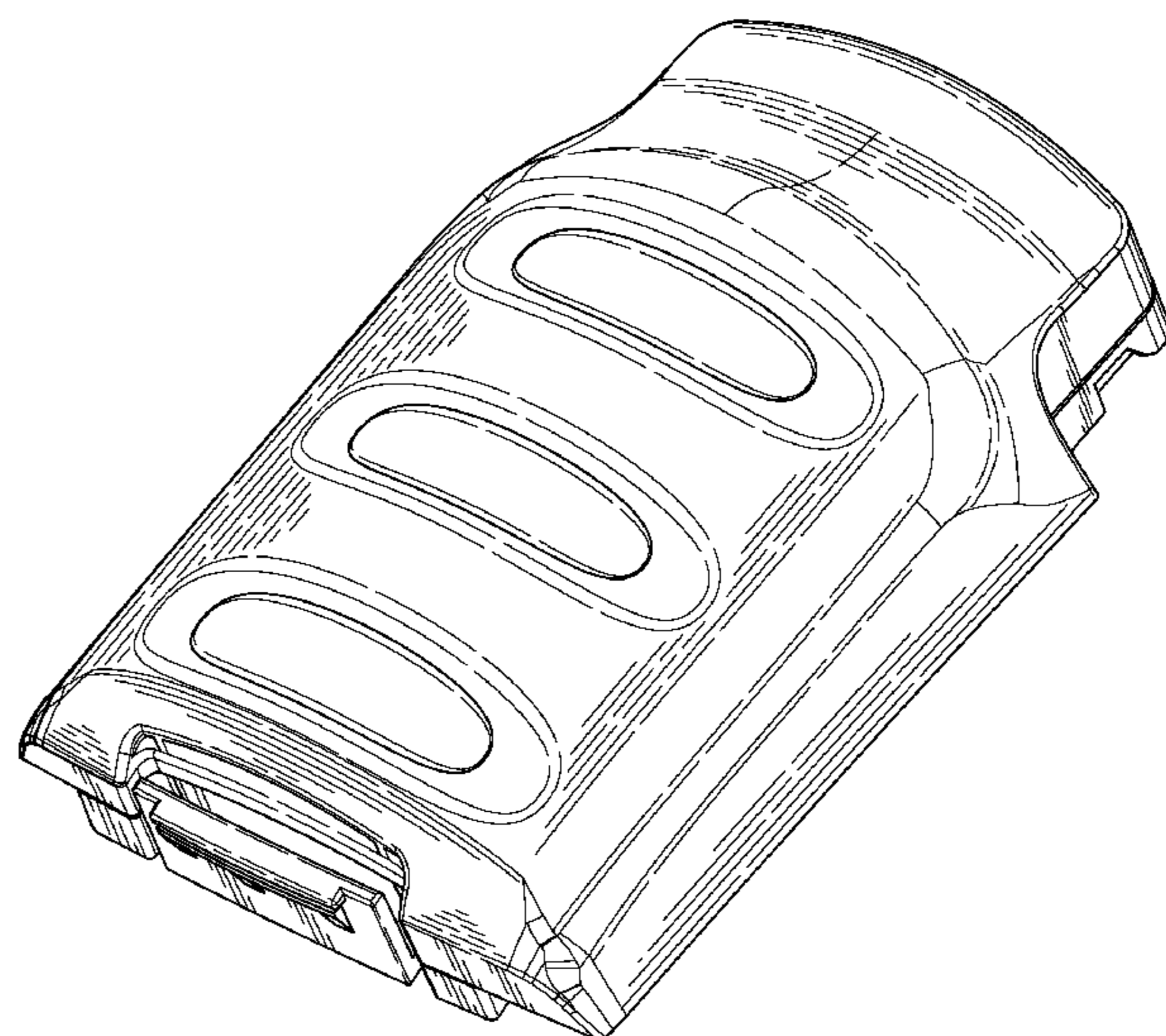
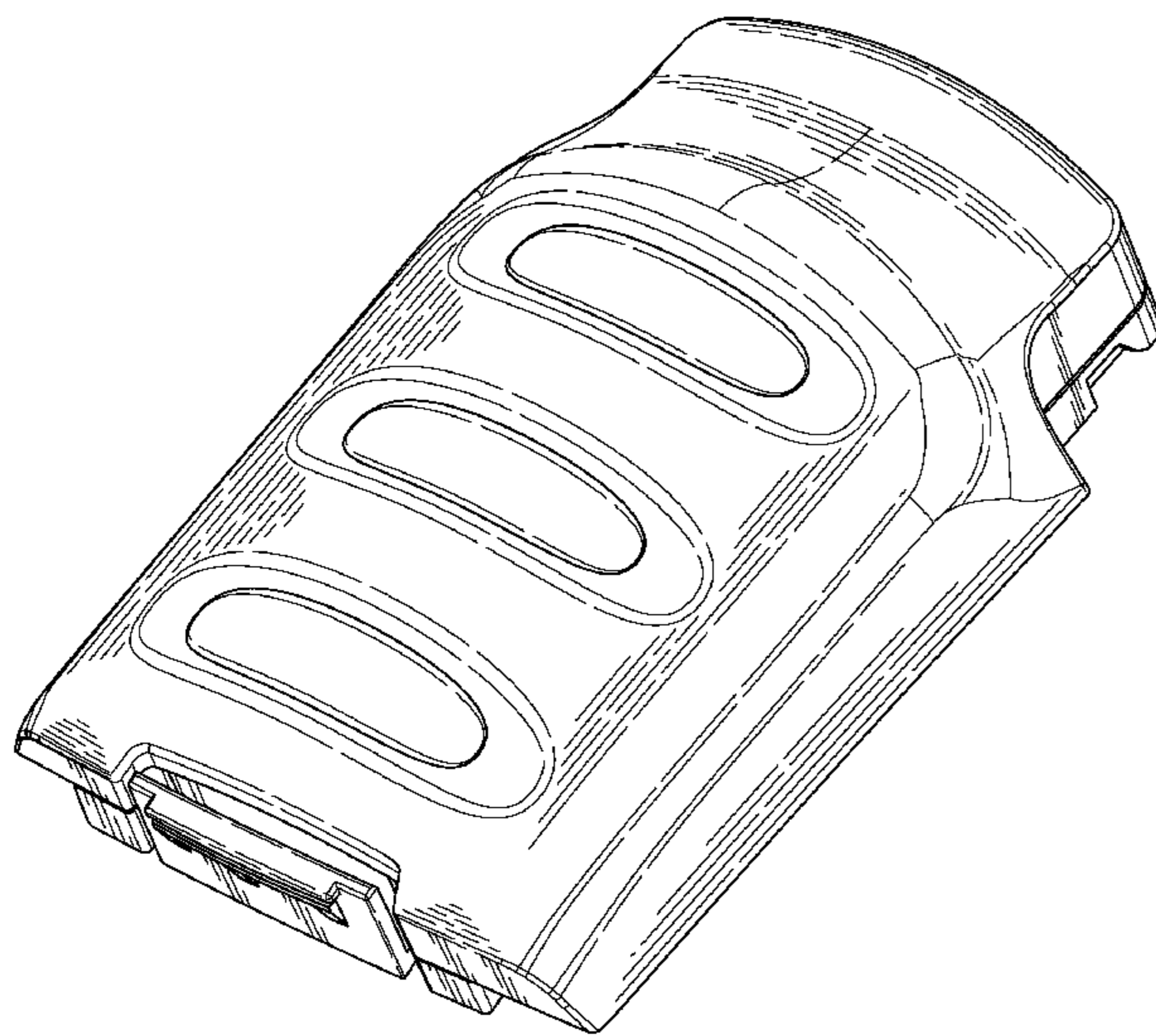
The ornamental design for a battery, as shown and described.

DESCRIPTION

FIG. 1 is a perspective view of a battery;
FIG. 2 is a side of the battery shown in FIG. 1;
FIG. 3 is another side view of the battery shown in FIG. 1;
FIG. 4 is a rear view of the battery shown in FIG. 1;
FIG. 5 is front view of the battery shown in FIG. 1;
FIG. 6 is a bottom view of the battery shown in FIG. 1;
FIG. 7 is a top view of the battery shown in FIG. 1;
FIG. 8 is a perspective view of a battery;
FIG. 9 is a side of the battery shown in FIG. 8;
FIG. 10 is another side view of the battery shown in FIG. 8;
FIG. 11 is a rear view of the battery shown in FIG. 8;
FIG. 12 is front view of the battery shown in FIG. 8; and,
FIG. 13 is a top view of the battery shown in FIG. 8.

The broken line showing is included for the purpose of illustration and forms no part of the claimed design.

1 Claim, 11 Drawing Sheets



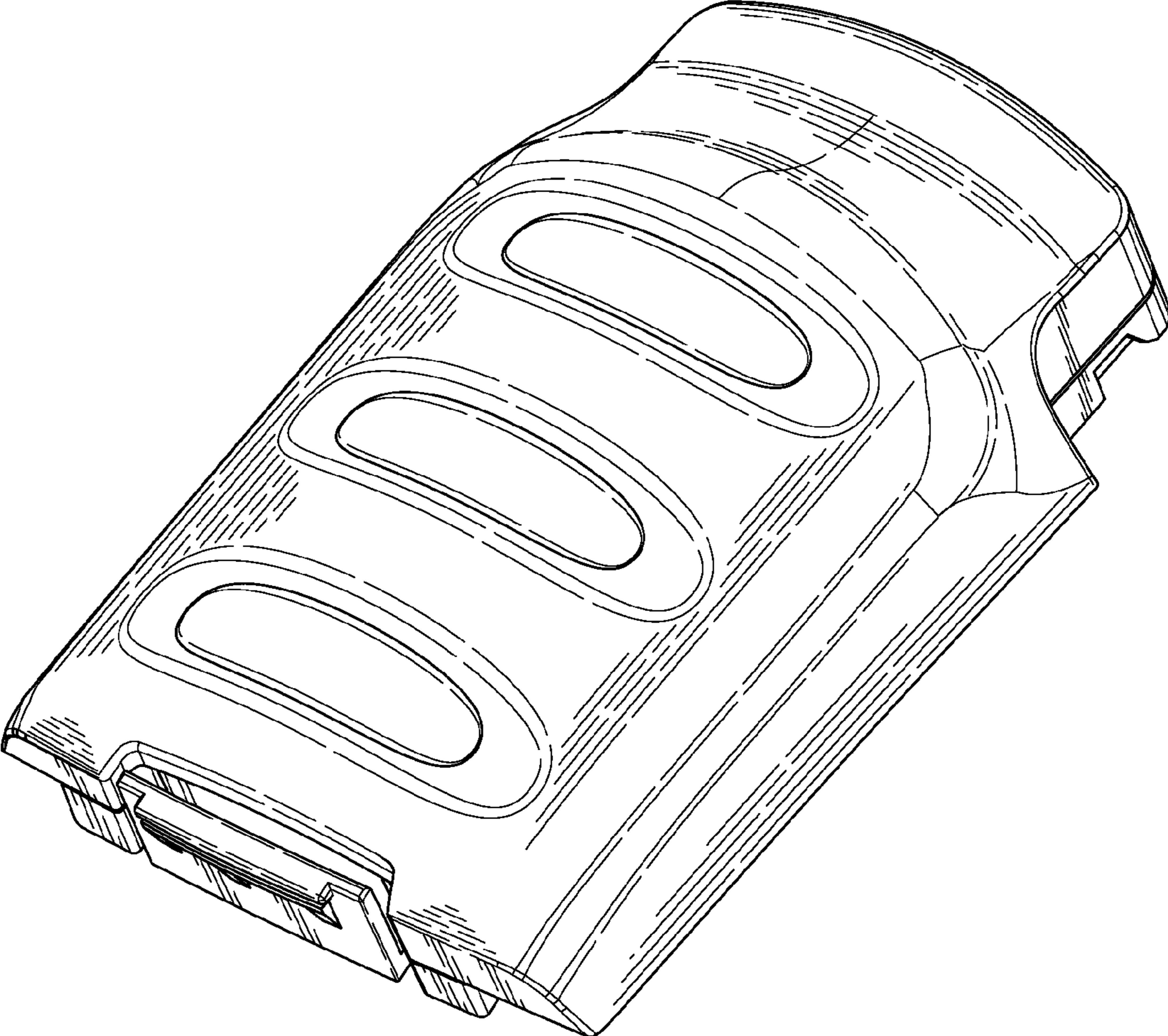


FIG. 1



FIG. 2

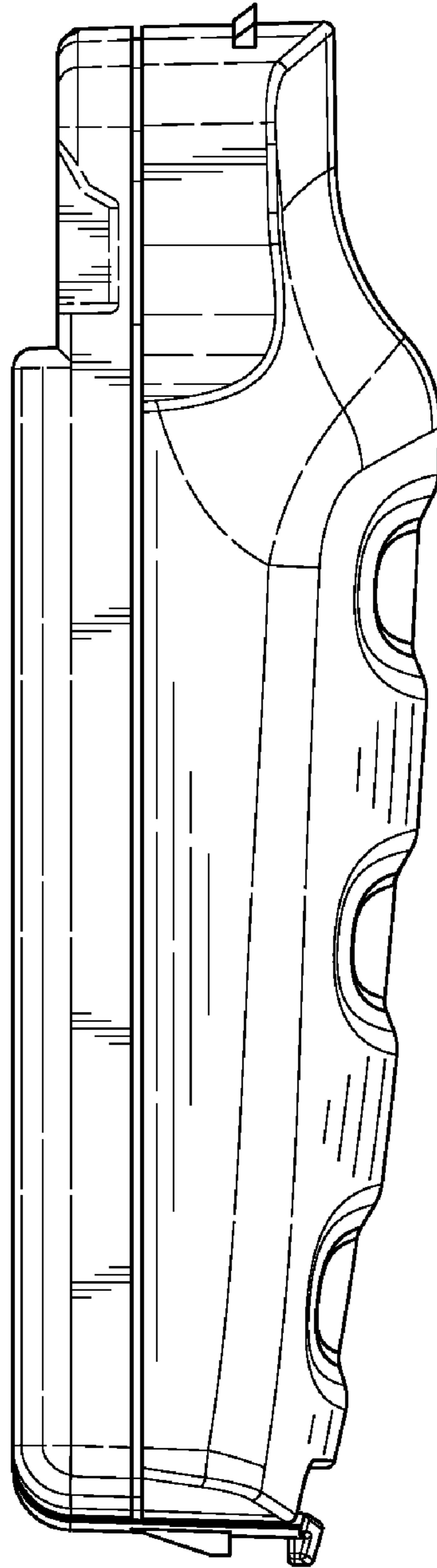


FIG. 3

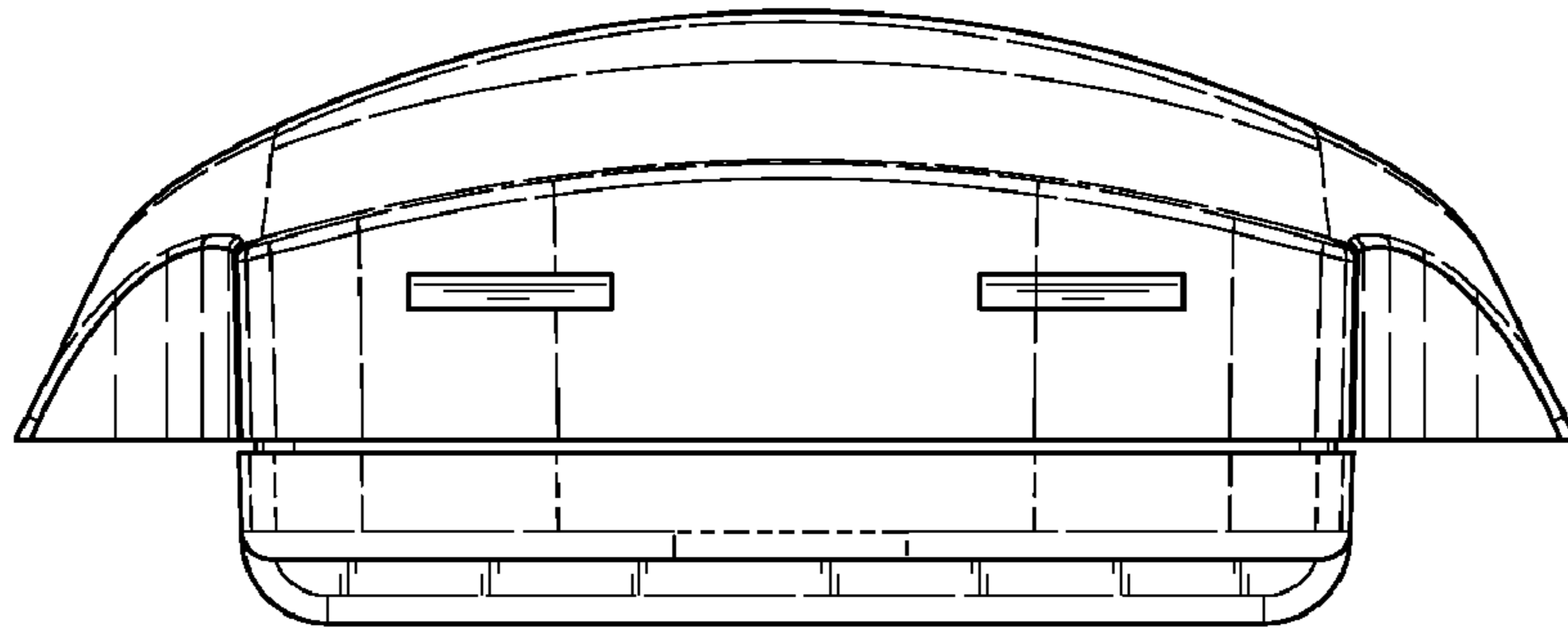


FIG. 4

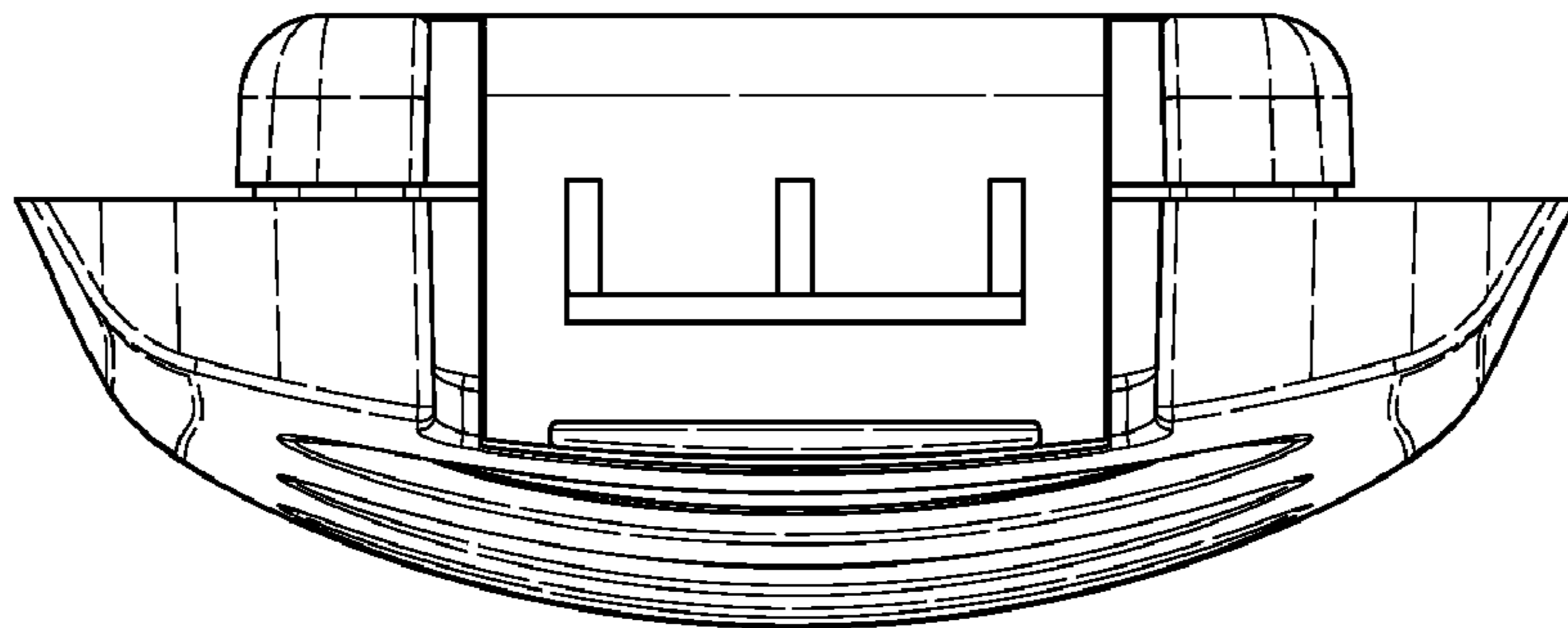


FIG. 5

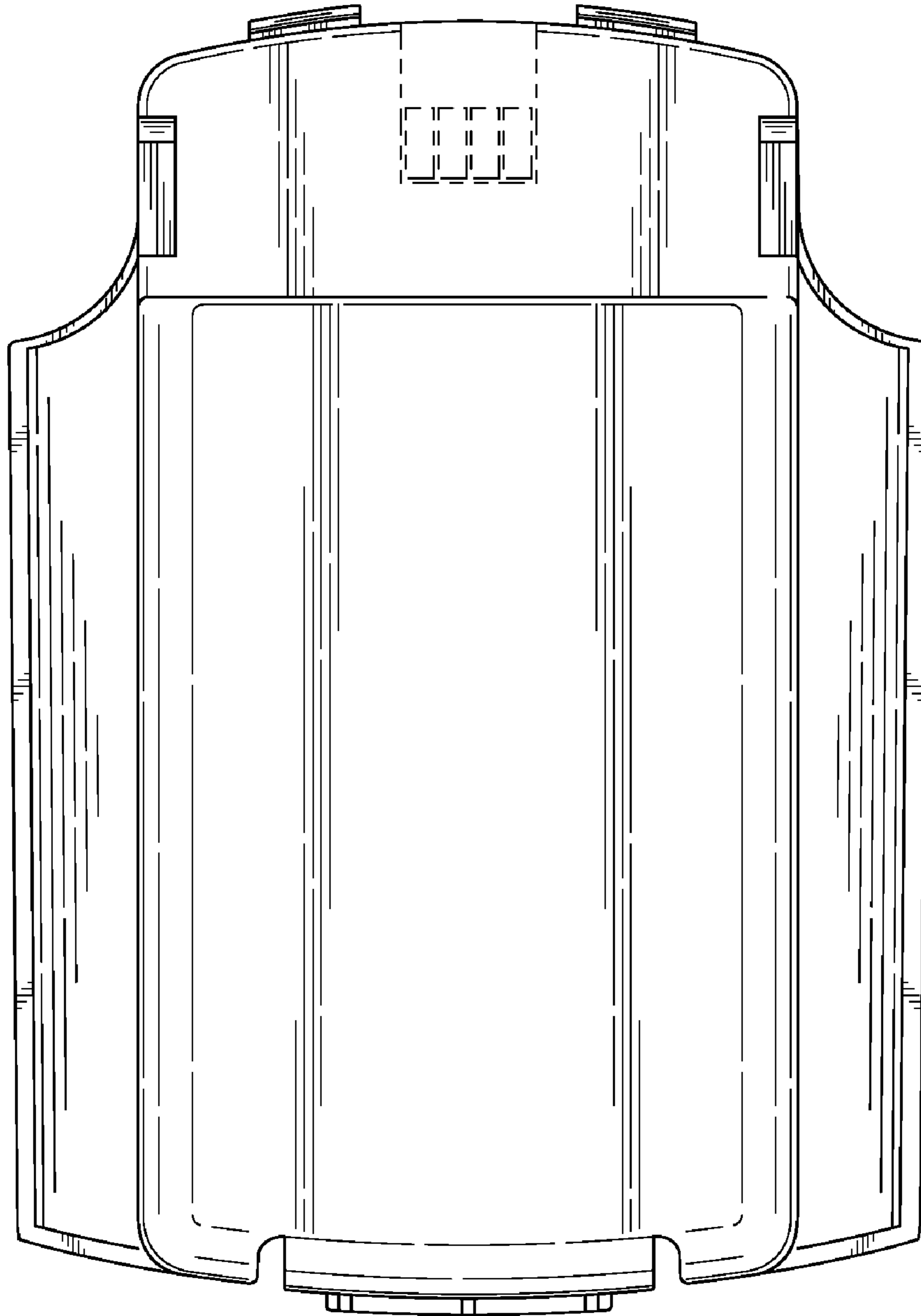


FIG. 6

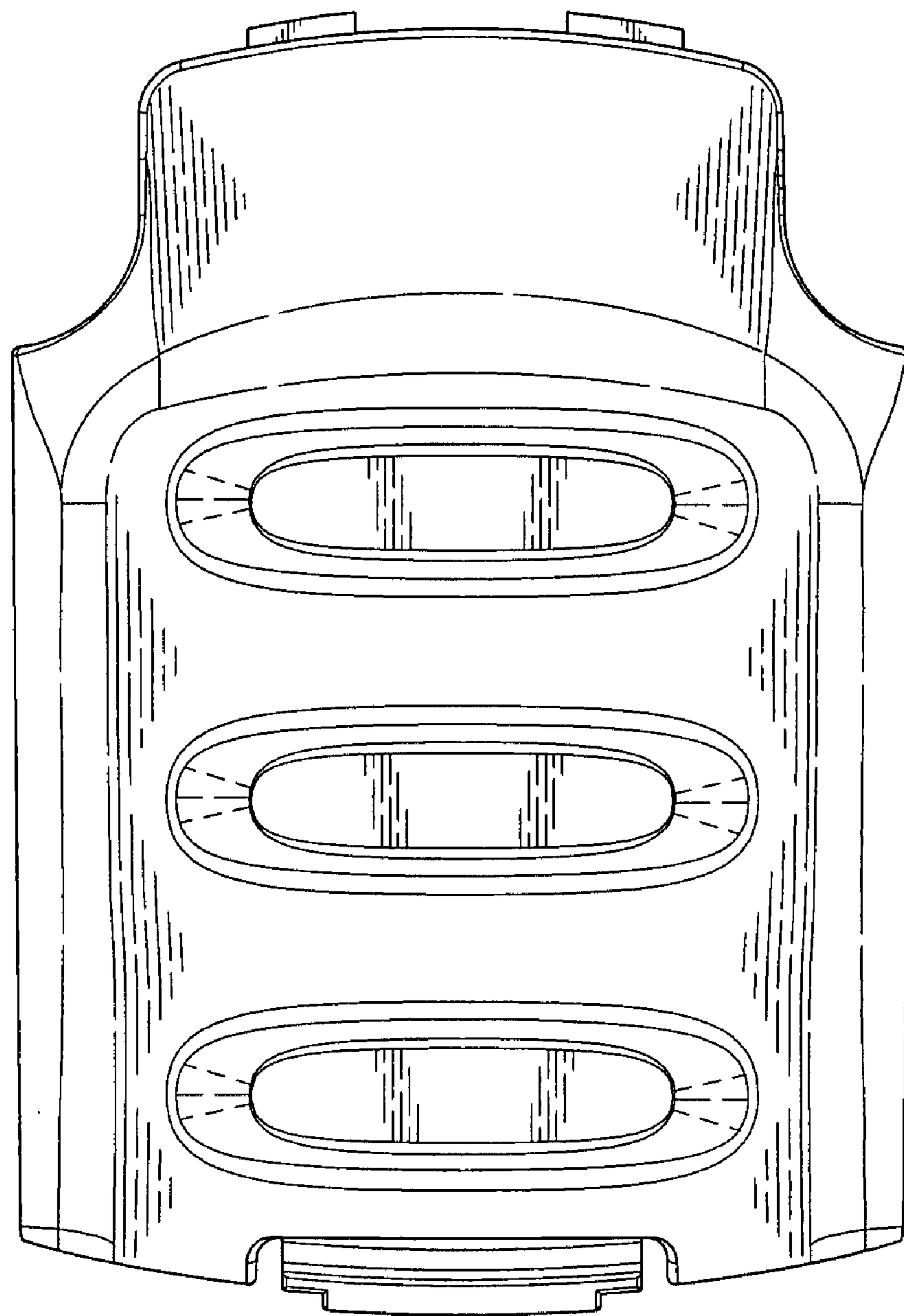


FIG. 7

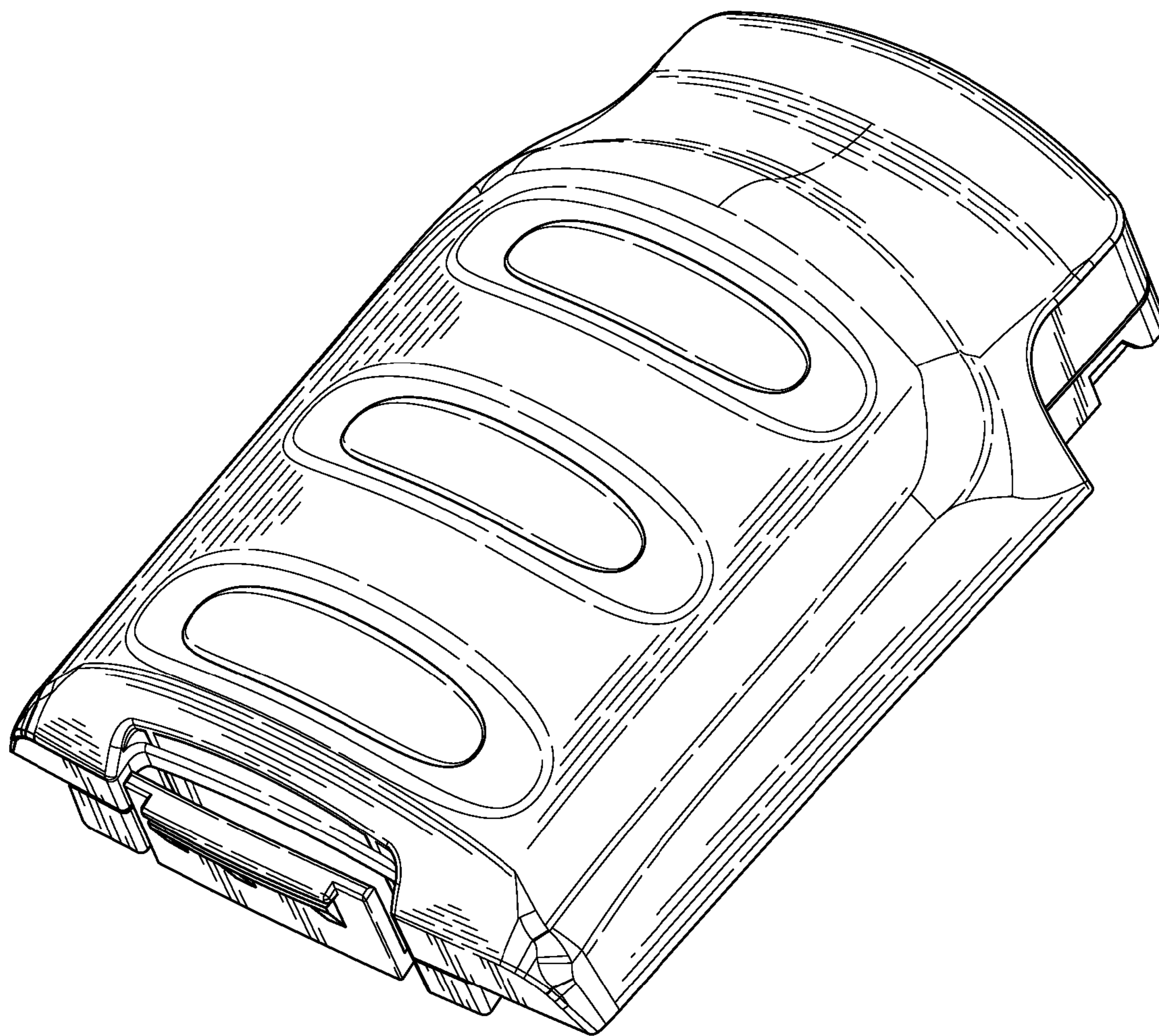


FIG. 8

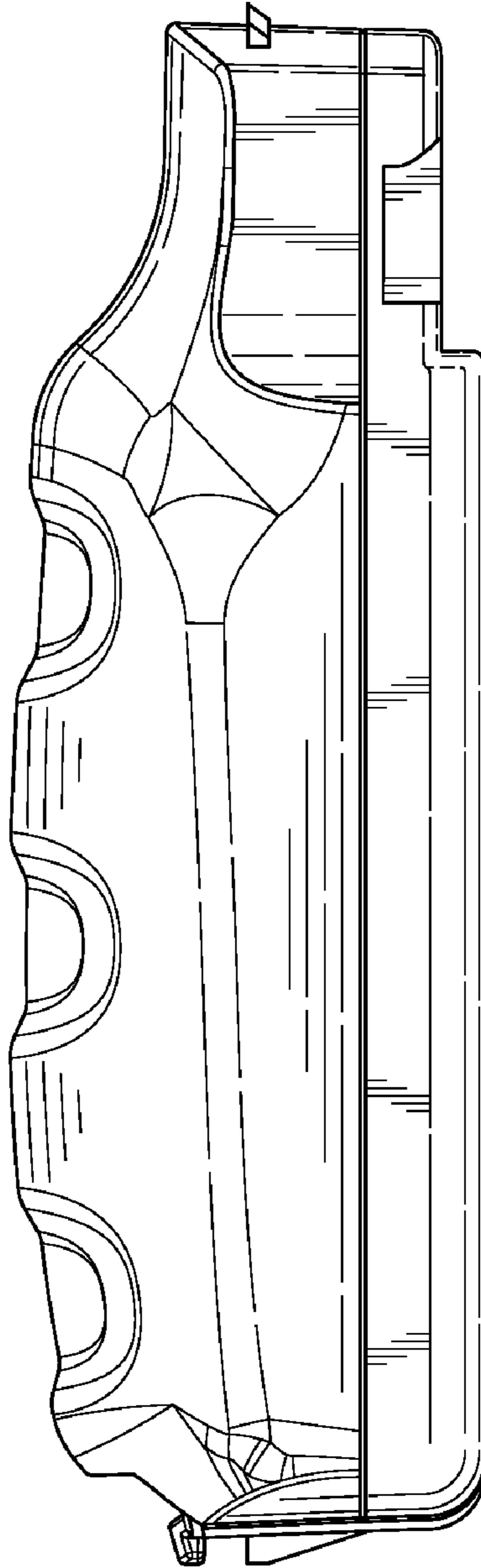


FIG. 9

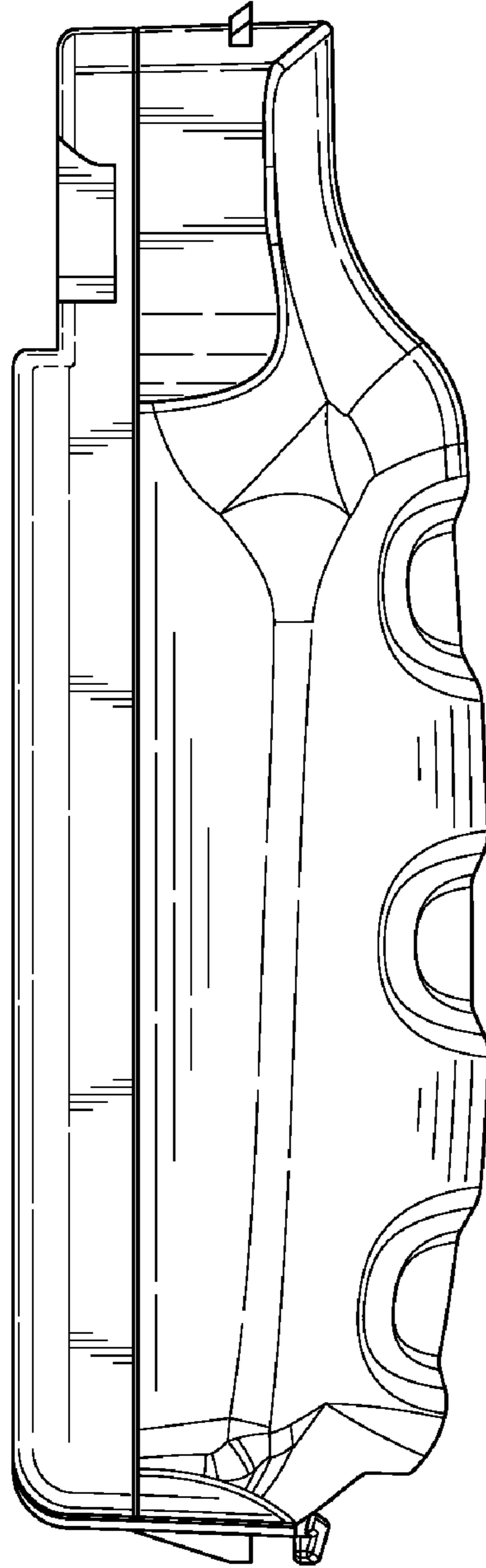


FIG. 10

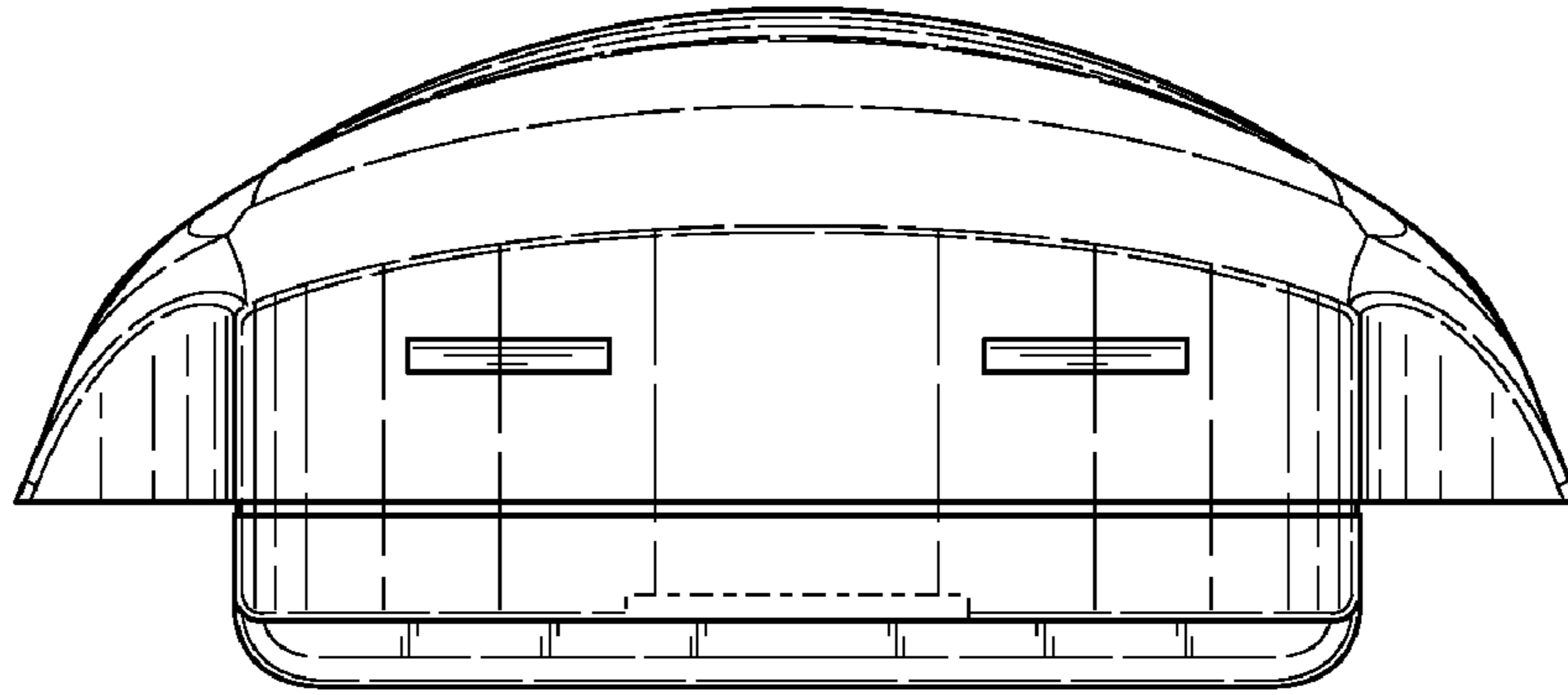


FIG. 11

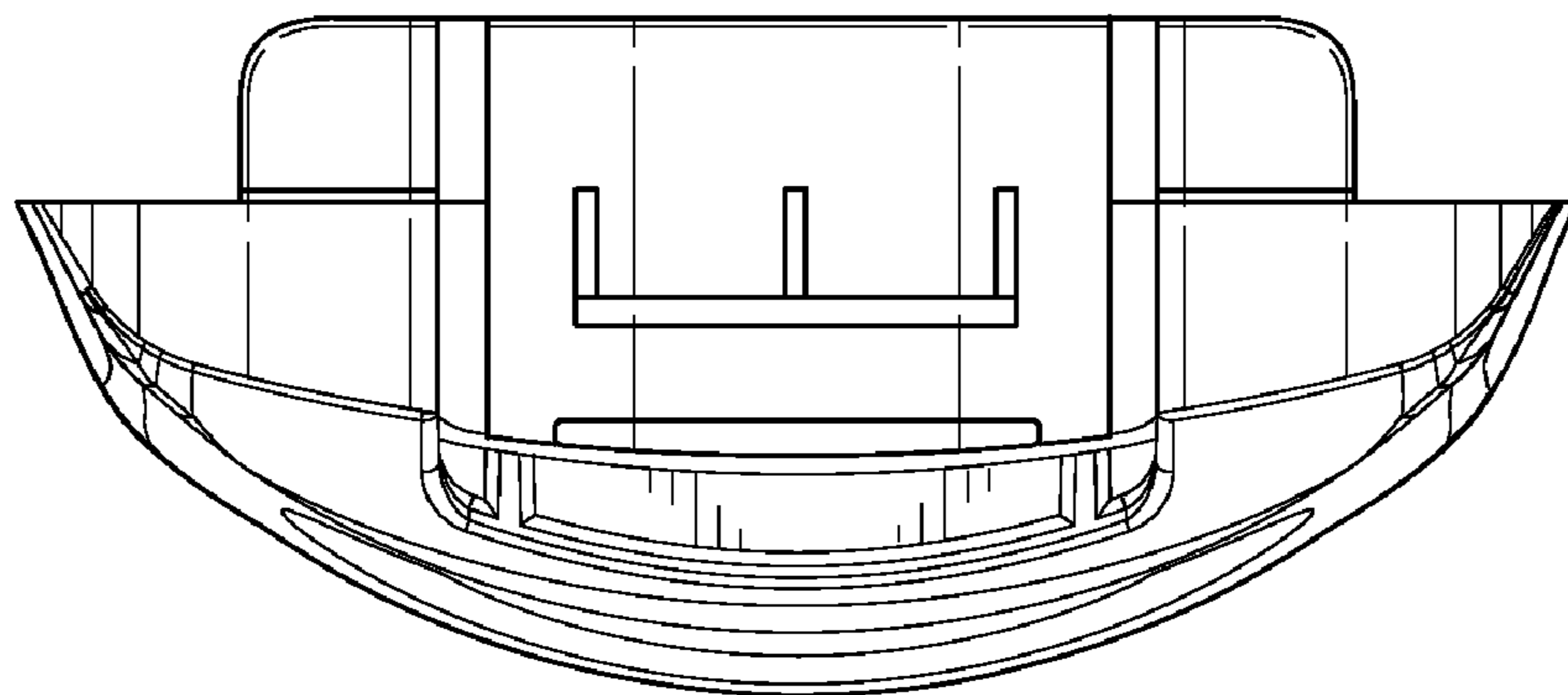


FIG. 12

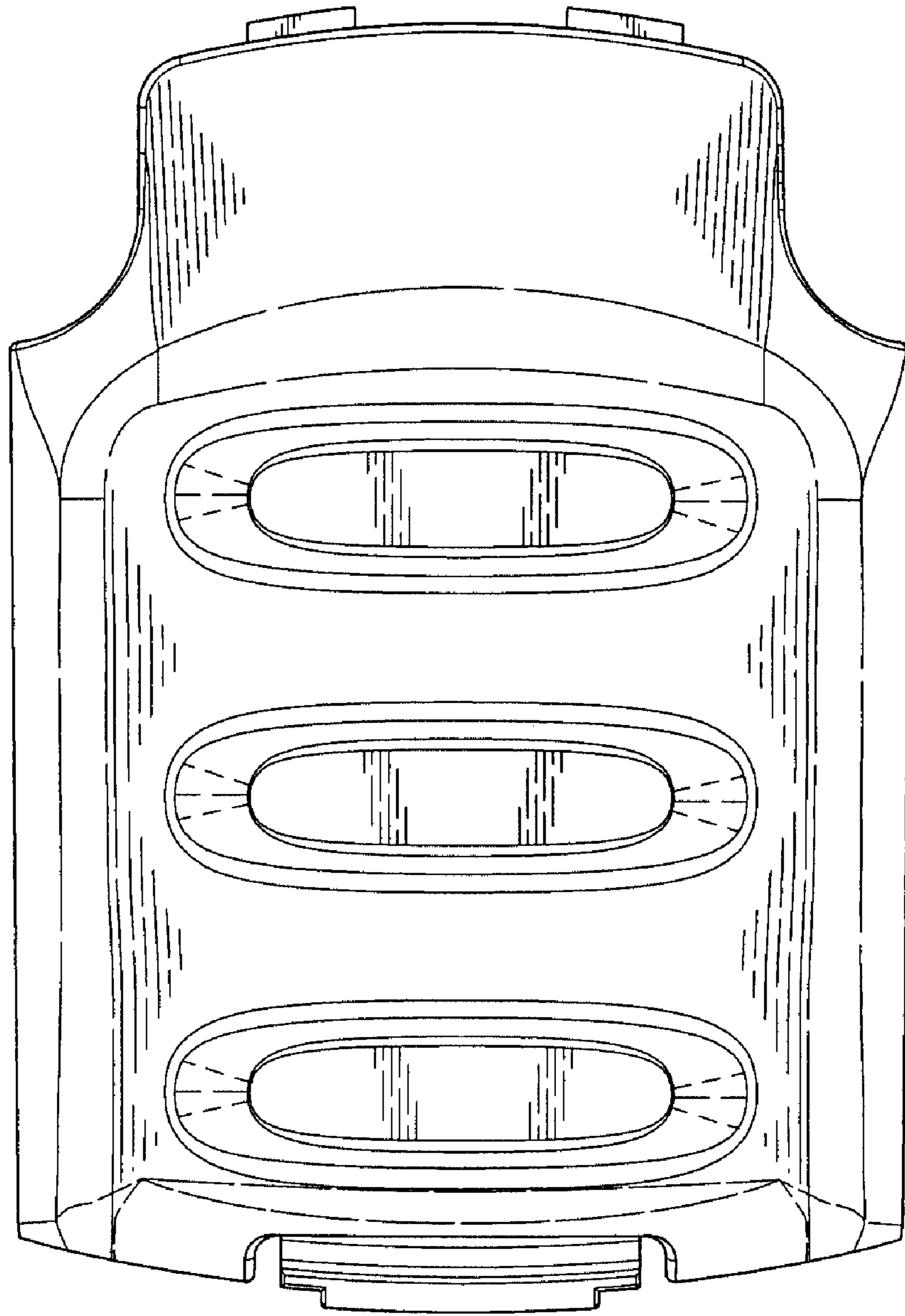


FIG. 13