

US00D562755S

(12) **United States Design Patent**  
**Cares**

(10) **Patent No.:** **US D562,755 S**

(45) **Date of Patent:** **\*\* Feb. 26, 2008**

(54) **EXTERIOR PORTION OF A BOAT SLIP CANOPY**

(75) Inventor: **Louis G. Cares**, East Grand Rapids, MI (US)

(73) Assignee: **P&L Company**, Kentwood, MI (US)

(\*\*) Term: **14 Years**

(21) Appl. No.: **29/279,831**

(22) Filed: **May 8, 2007**

**Related U.S. Application Data**

(62) Division of application No. 29/225,329, filed on Mar. 15, 2005.

(51) **LOC (8) Cl.** ..... **12-06**

(52) **U.S. Cl.** ..... **D12/317**

(58) **Field of Classification Search** ..... D12/300,  
D12/302, 308, 315-318; D25/25, 33, 34;  
114/361

See application file for complete search history.

(56) **References Cited**

**U.S. PATENT DOCUMENTS**

3,312,990	A *	4/1967	Lapworth	.....	114/361
3,600,866	A *	8/1971	Griffith	.....	52/64
4,133,148	A *	1/1979	Swenumson	.....	52/64
D256,113	S *	7/1980	Fortier	.....	D12/318
4,300,253	A *	11/1981	Anderson	.....	114/361
D284,361	S *	6/1986	Post	.....	D12/11
4,894,961	A *	1/1990	Robbins	.....	52/69
D307,129	S *	4/1990	Caouette	.....	D12/315
4,984,399	A *	1/1991	Taylor	.....	52/64
D332,935	S *	2/1993	Moore	.....	D12/317
D334,837	S *	4/1993	Bradley	.....	D12/402
D349,163	S *	7/1994	Rasmussen	.....	D25/33

D356,773	S *	3/1995	Lange	.....	D12/300
D367,638	S *	3/1996	Duncan	.....	D12/300
D379,961	S *	6/1997	Cripe	.....	D12/317
5,660,137	A *	8/1997	Manley	.....	114/361
D402,373	S *	12/1998	James	.....	D25/16
D421,131	S *	2/2000	Lynch	.....	D25/34
D431,868	S *	10/2000	Hing	.....	D25/23
6,129,034	A *	10/2000	Santa Cruz et al.	.....	114/361
D455,994	S *	4/2002	Syfritt	.....	D12/300

\* cited by examiner

*Primary Examiner*—Holly H. Baynham

*Assistant Examiner*—Cynthia M. Chin

(74) *Attorney, Agent, or Firm*—Reising, Ethington, Barnes, Kisselle, P.C.

(57) **CLAIM**

The ornamental design for an exterior portion of a boat slip canopy, as shown and described.

**DESCRIPTION**

FIG. 1 is a right front perspective view of an exterior portion of a boat slip canopy with the rear access hatch closed showing my new design, the left front perspective view being a mirror image thereof;

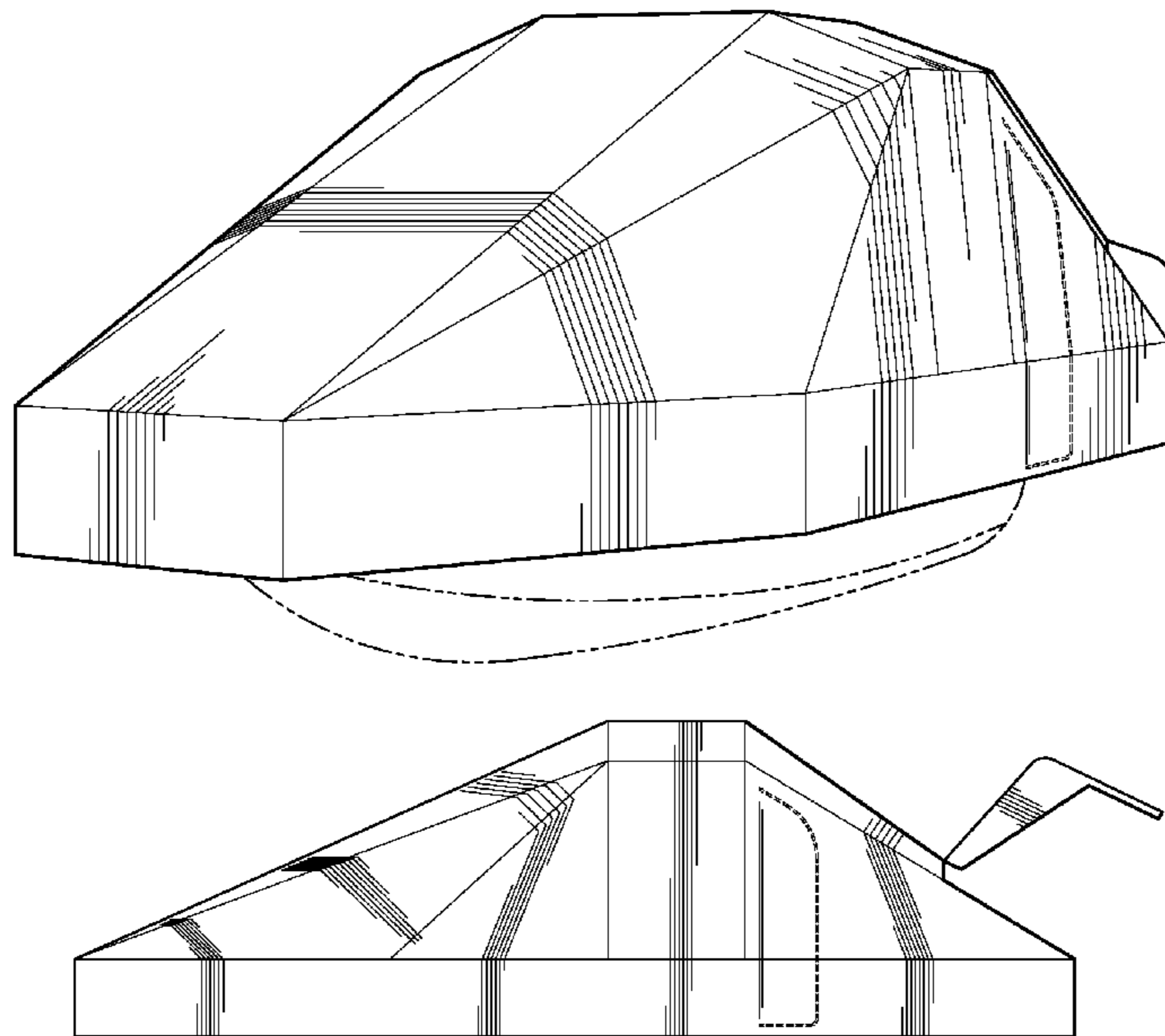
FIG. 2 is a right side elevational view thereof, the left side elevational view being a mirror image thereof;

FIG. 3 is a right elevational view thereof with the rear access hatch open, the left side elevational view being a mirror image thereof; and,

FIG. 4 is a rear elevational view thereof with the rear access hatch closed, the left side view being a mirror image thereof.

The broken lines are for illustrative purposes only and form no part of the claimed design.

**1 Claim, 2 Drawing Sheets**



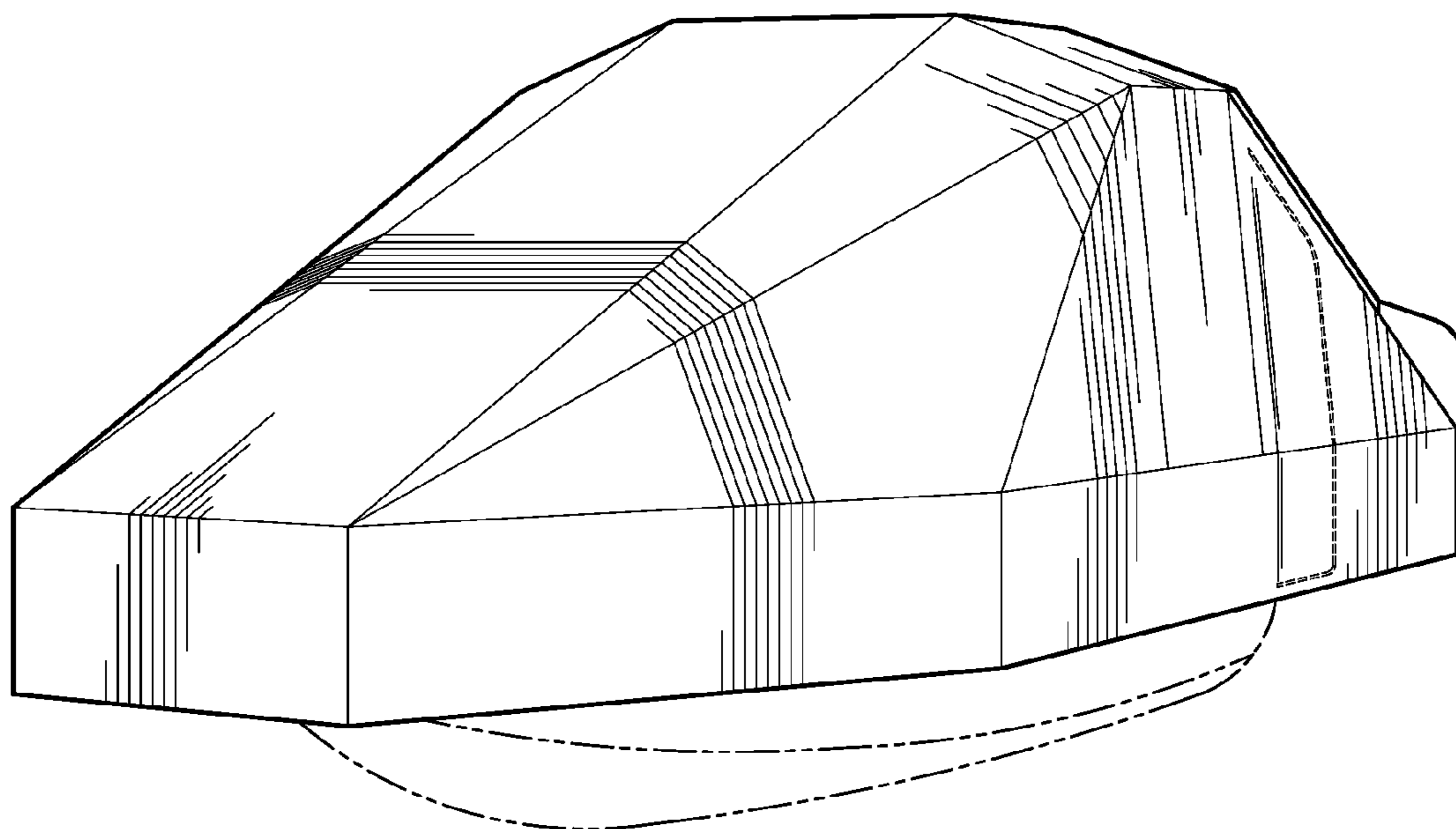


Figure 1

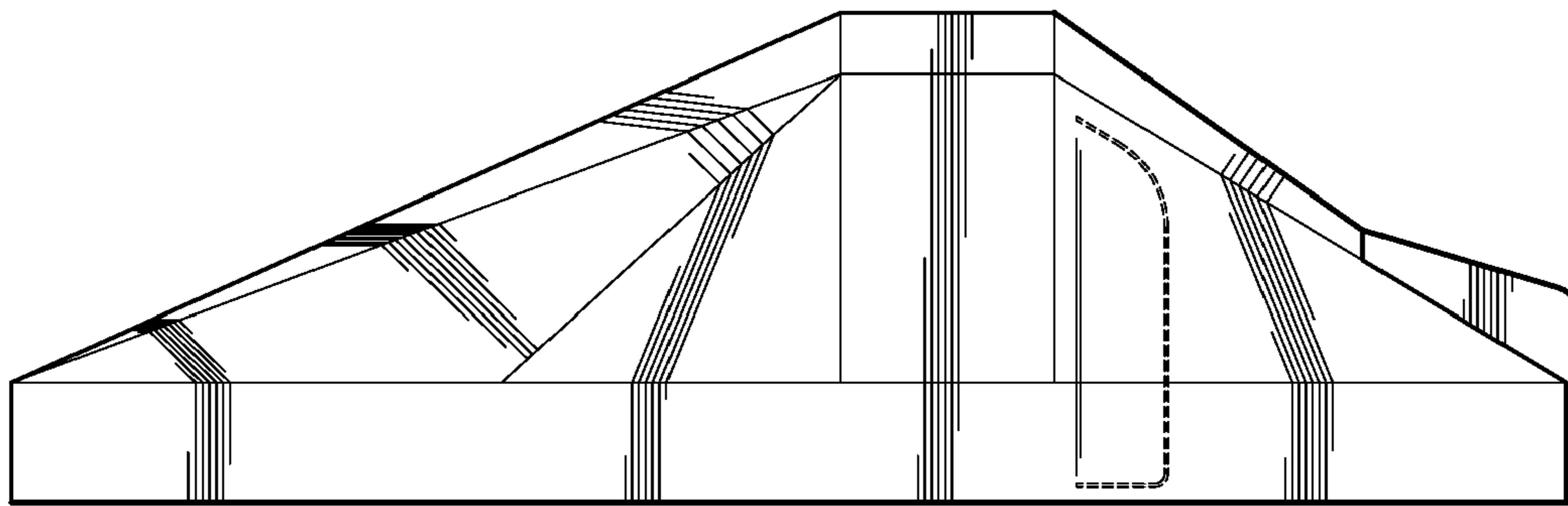


Figure 2

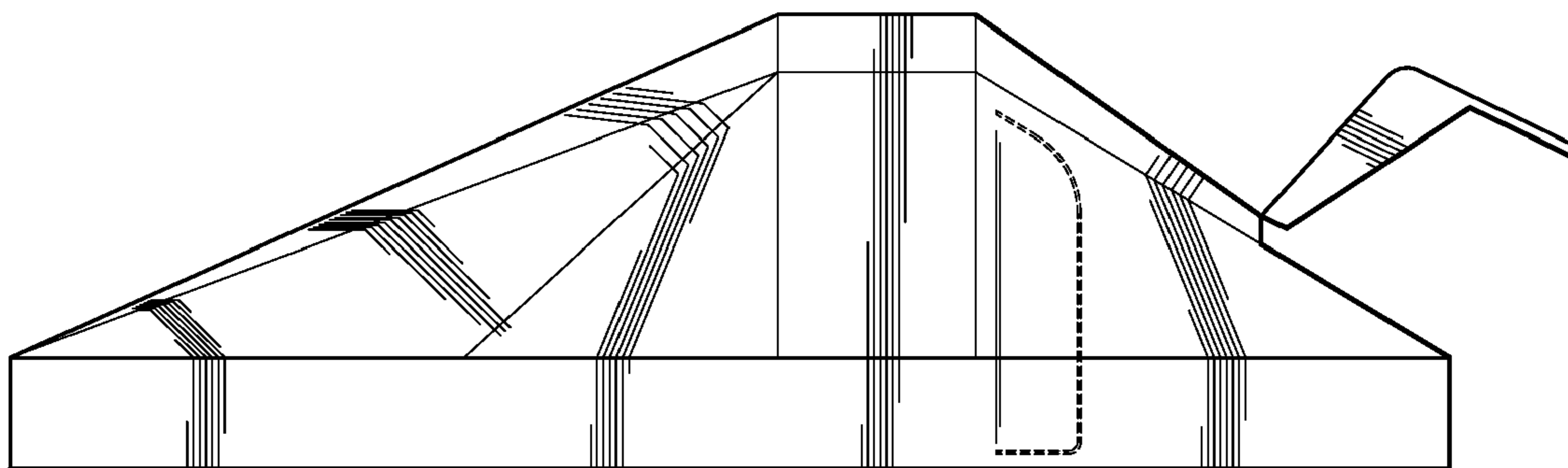


Figure 3

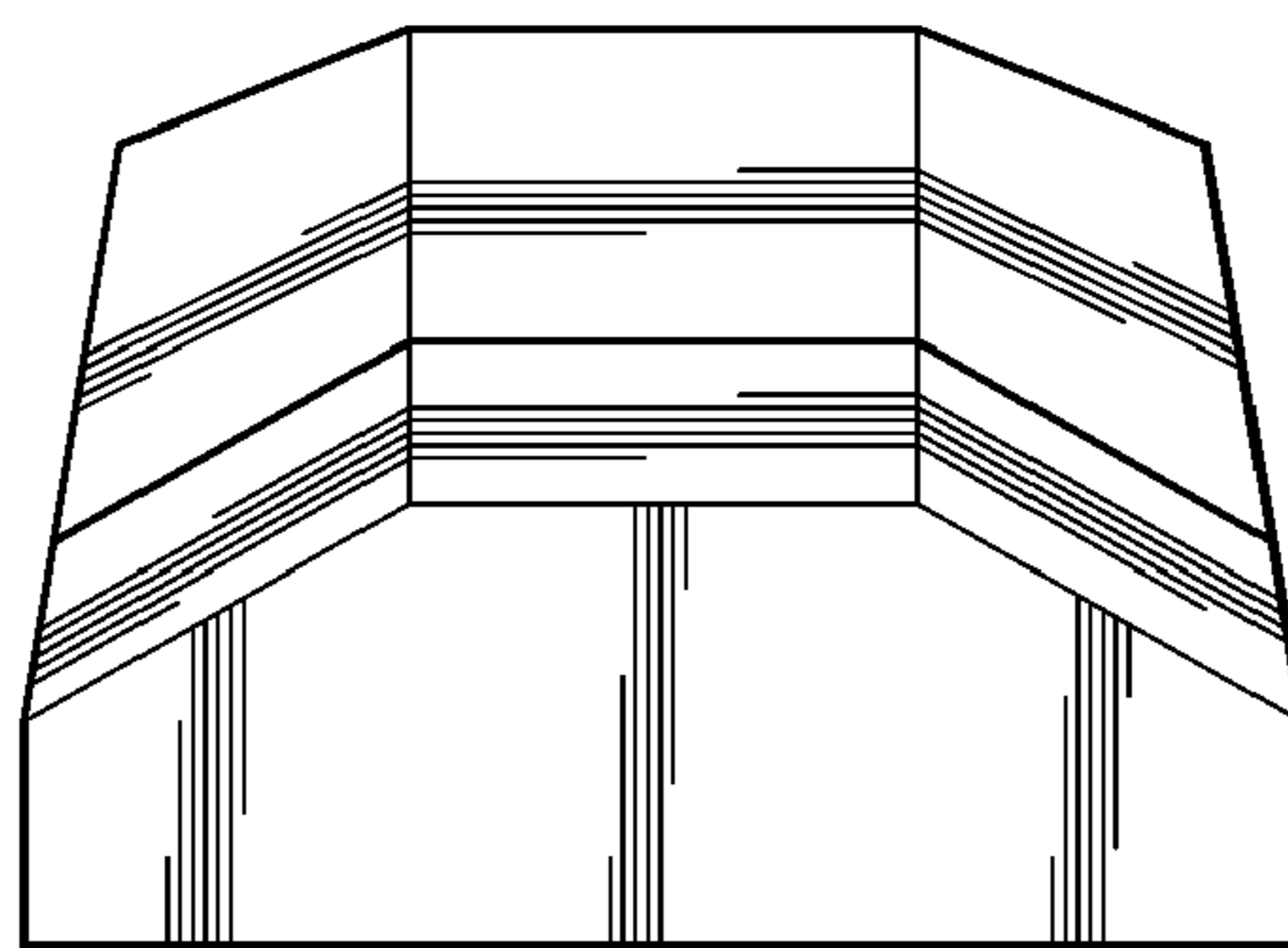


Figure 4