



US00D562754S

(12) **United States Design Patent**
Wall et al.

(10) **Patent No.:** **US D562,754 S**

(45) **Date of Patent:** **** Feb. 26, 2008**

(54) **TILT HELM**

(74) *Attorney, Agent, or Firm*—Baker & Hostetler LLP

(75) Inventors: **Michael Wall**, Salt Spring Island (CA);
Art Ferguson, Glenview, IL (US)

(57) **CLAIM**

The ornamental design for a tilt helm, as shown and described.

(73) Assignee: **Teleflex Canada, Inc.**, Richmond, B.C. (CA)

(**) Term: **14 Years**

DESCRIPTION

(21) Appl. No.: **29/261,251**

FIG. 1 is a top, front isometric view of the tilt helm showing the new design;

(22) Filed: **Jun. 12, 2006**

FIG. 2 is a top plan view;

(51) **LOC (8) Cl.** **12-06**

(52) **U.S. Cl.** **D12/317**

(58) **Field of Classification Search** D12/175,
D12/176, 317; 114/23, 160, 144 R; 74/493;
440/53

FIG. 3 is a side elevation, the other side being a mirror image;

FIG. 4 is a bottom plan view;

FIG. 5 is a front view;

FIG. 6 is a rear view;

See application file for complete search history.

FIG. 7 is a top, front isometric view of an alternate embodiment of the tilt helm showing the new design; and,

FIG. 8 is a bottom plan view of the alternate embodiment.

(56) **References Cited**

U.S. PATENT DOCUMENTS

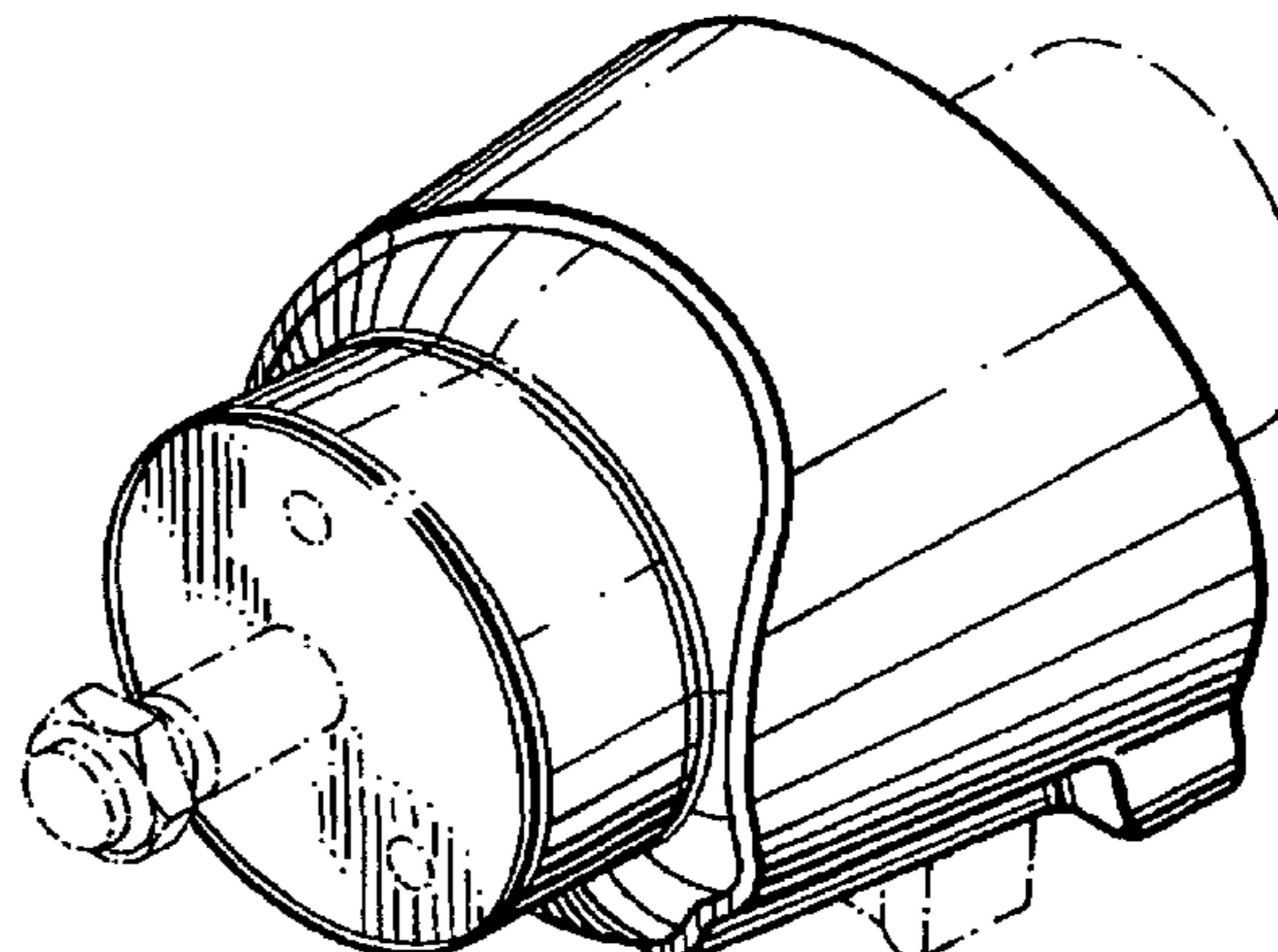
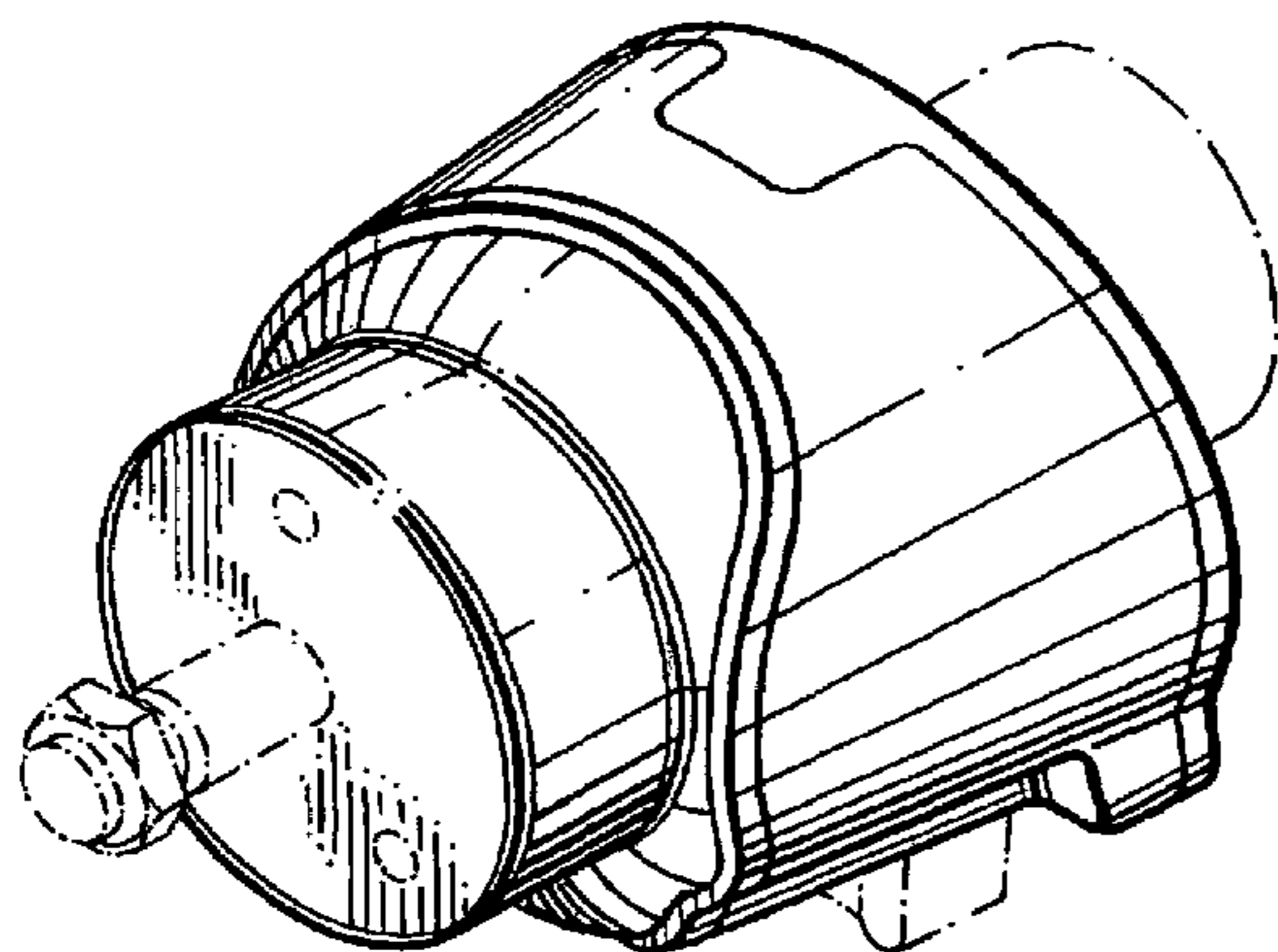
D511,490 S *	11/2005	Zeiger	D12/317
D515,010 S *	2/2006	Zeiger	D12/317
D515,011 S *	2/2006	Zeiger	D12/317
D517,975 S *	3/2006	Zeiger	D12/317
2005/0166819 A1 *	8/2005	Zeiger	114/144 R

In all the figures, the broken lines are for illustrative purposes only and form no part of the claimed design. There are two different embodiments depicted above. The first embodiment is depicted in FIGS. 1–6. The second embodiment is depicted in FIGS. 7 and 8. The second embodiment is the same as the first embodiment except that the second embodiment lacks the loop-shaped molding found in the first embodiment.

* cited by examiner

Primary Examiner—Holly H. Baynham
Assistant Examiner—Cynthia M. Chin

1 Claim, 4 Drawing Sheets



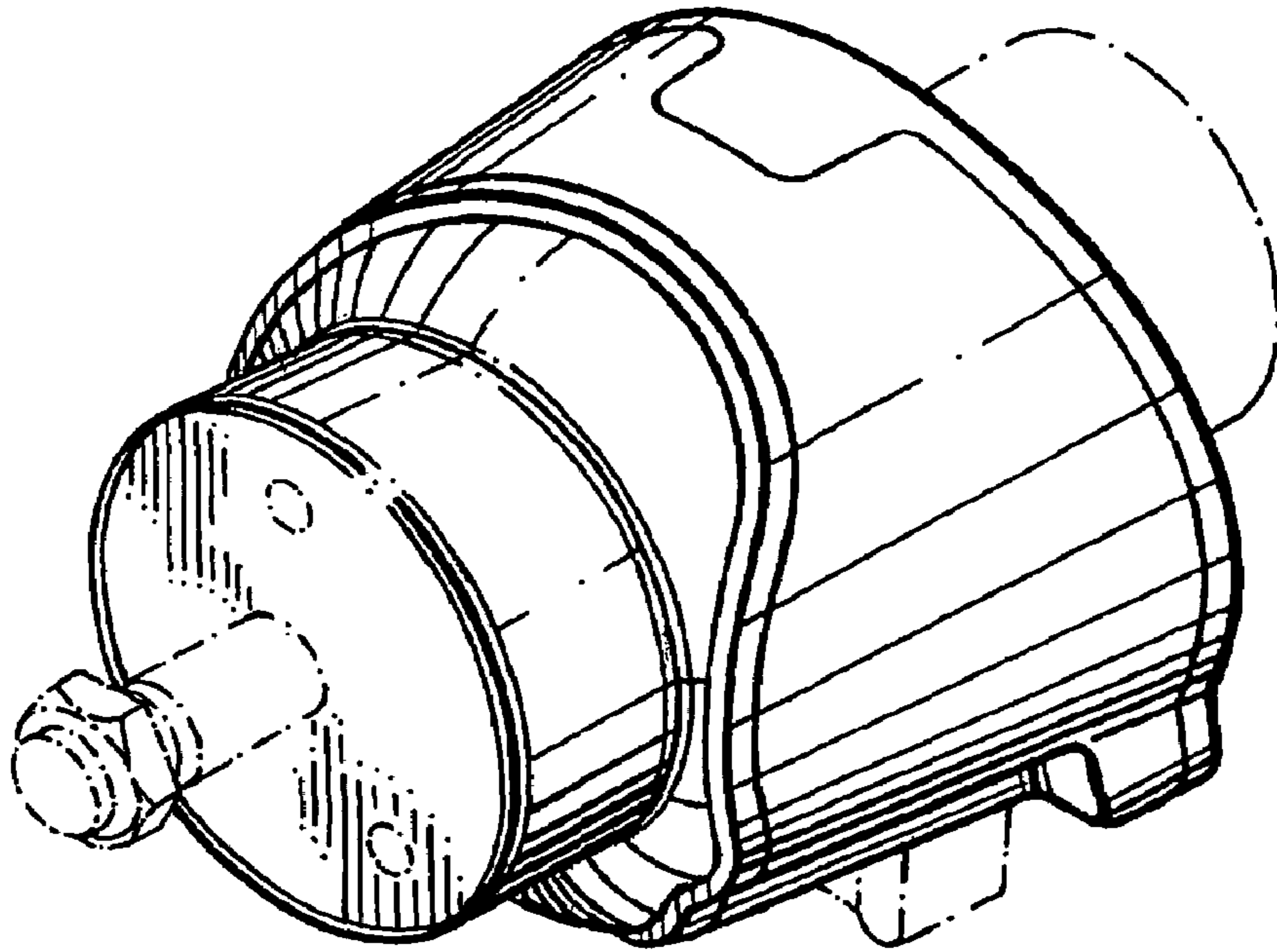


FIG. 1

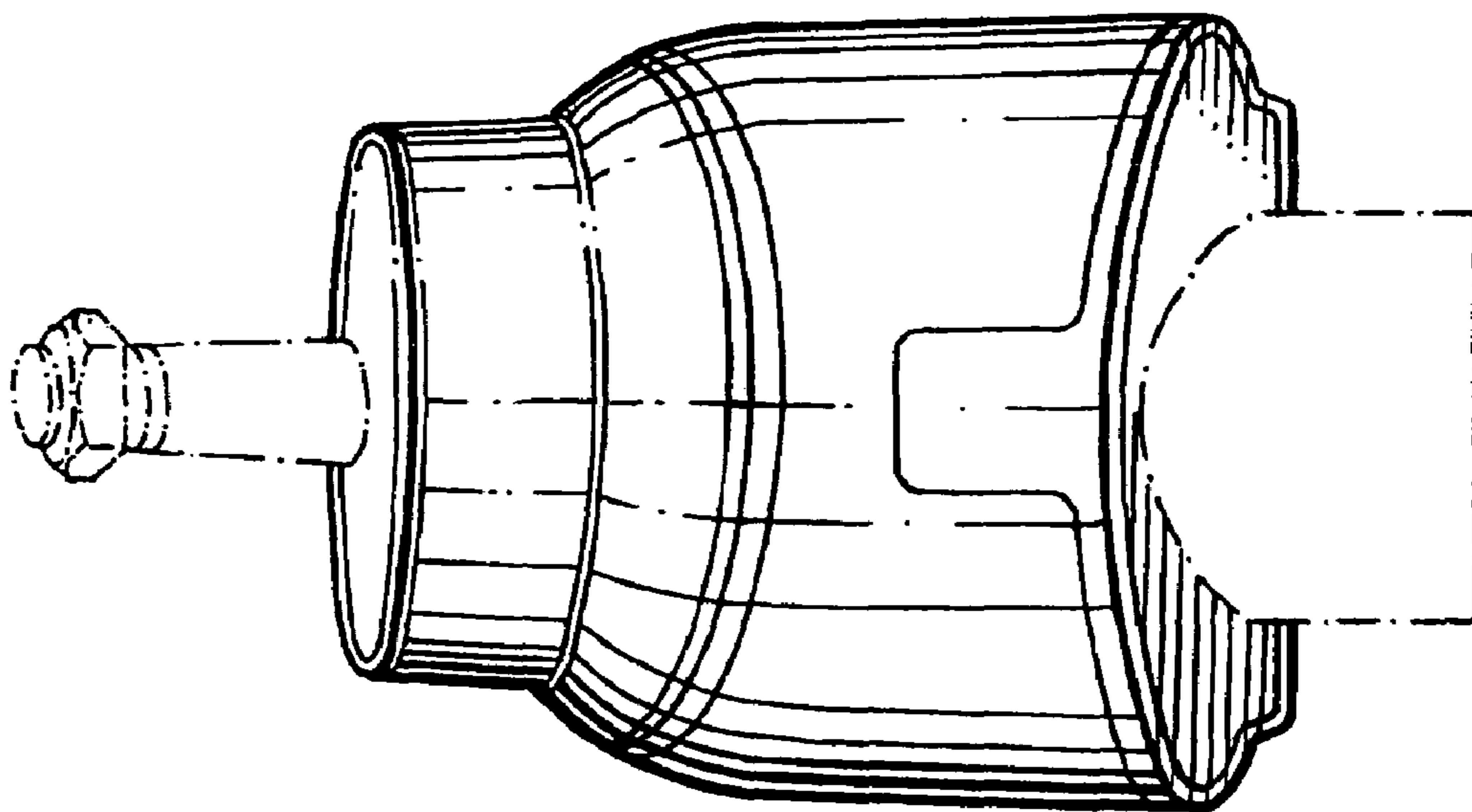


FIG. 2

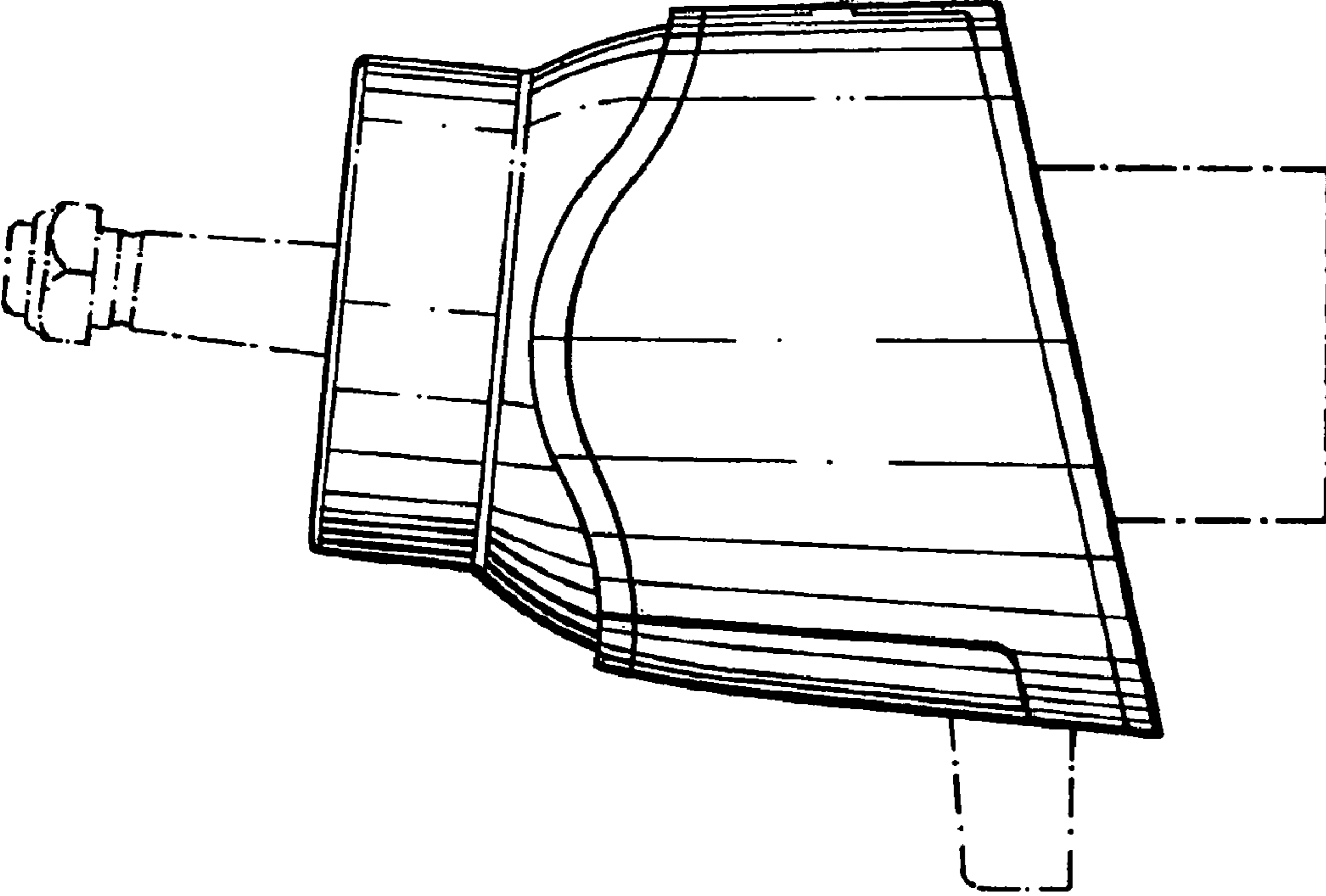


FIG. 3

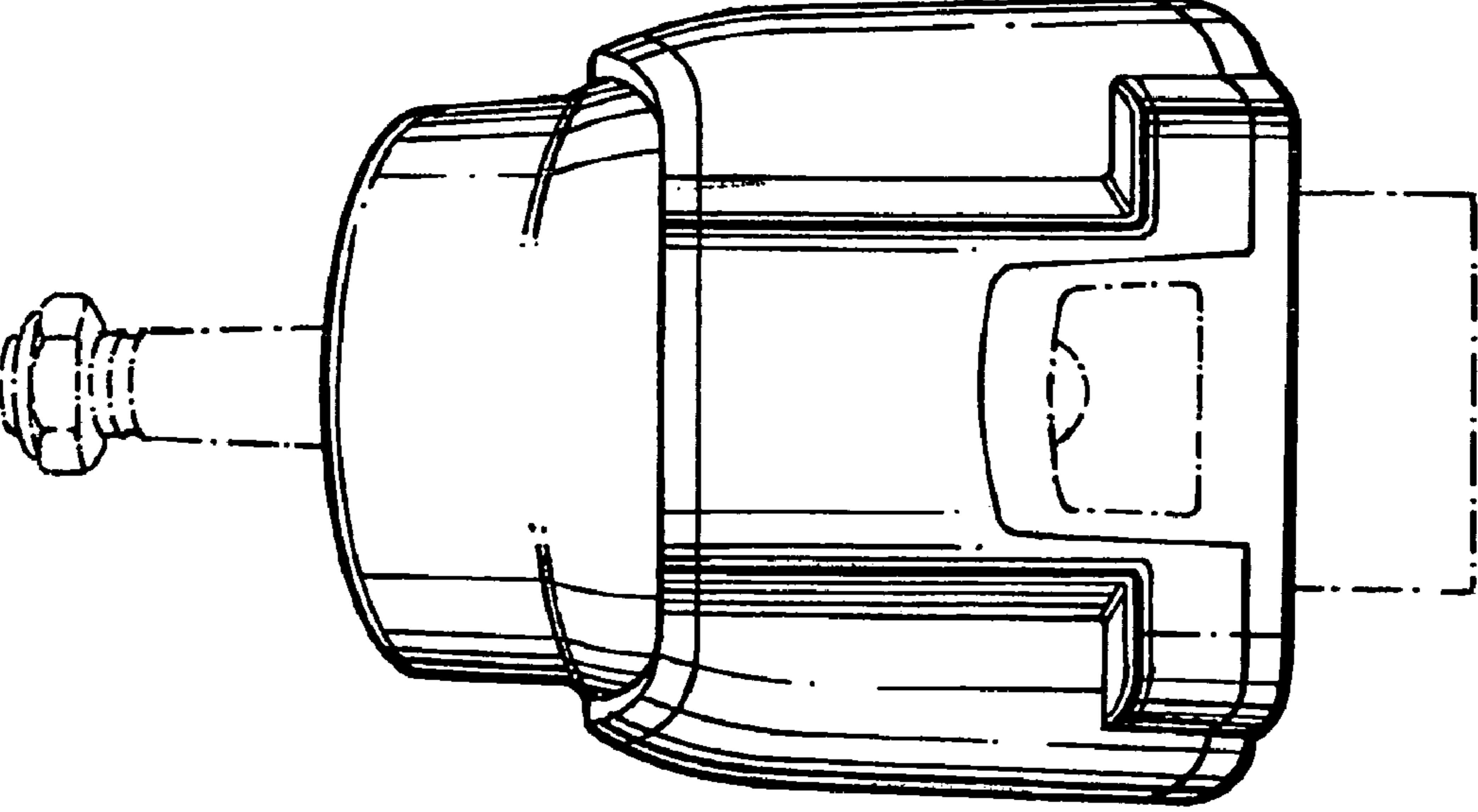


FIG. 4

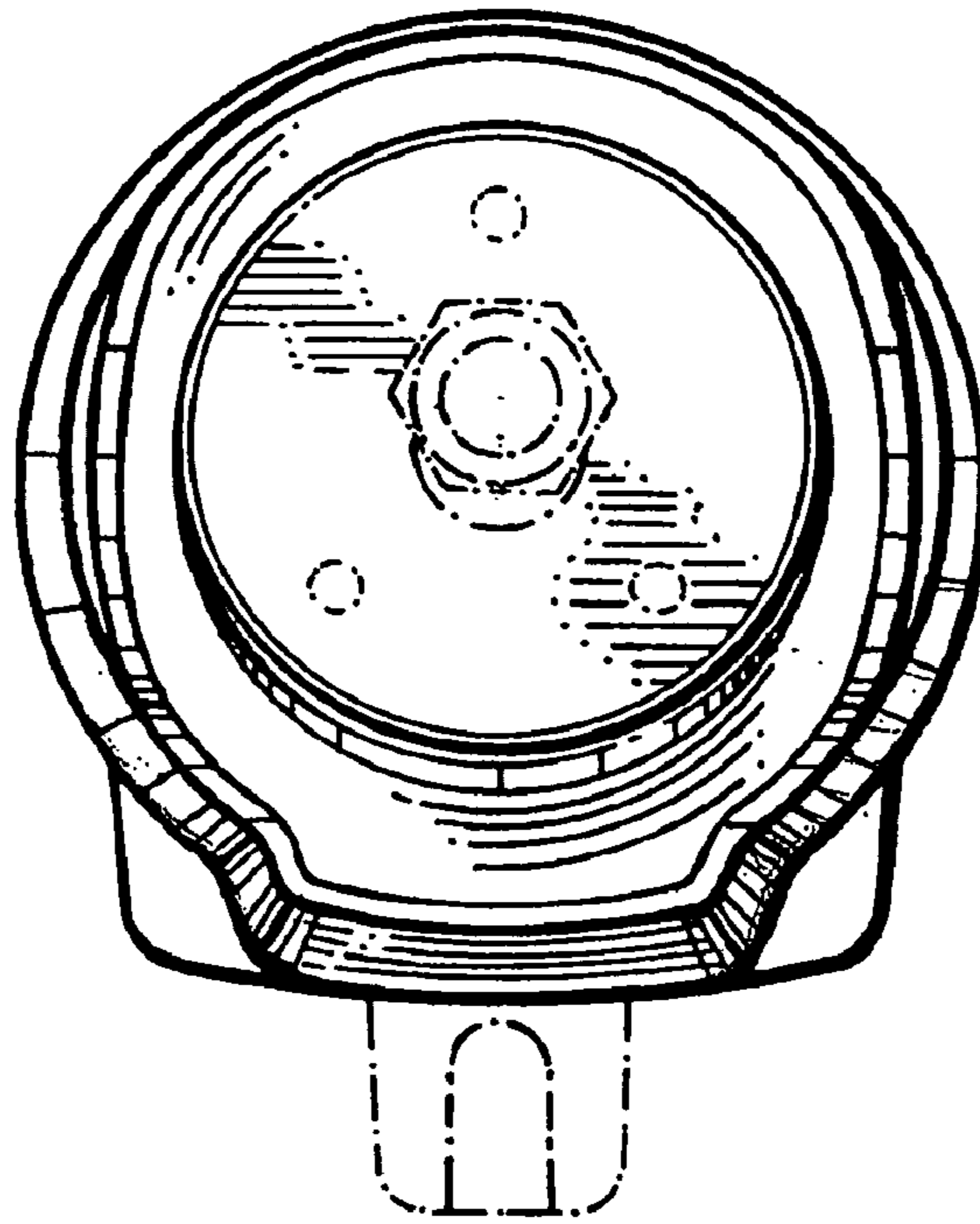


FIG. 5

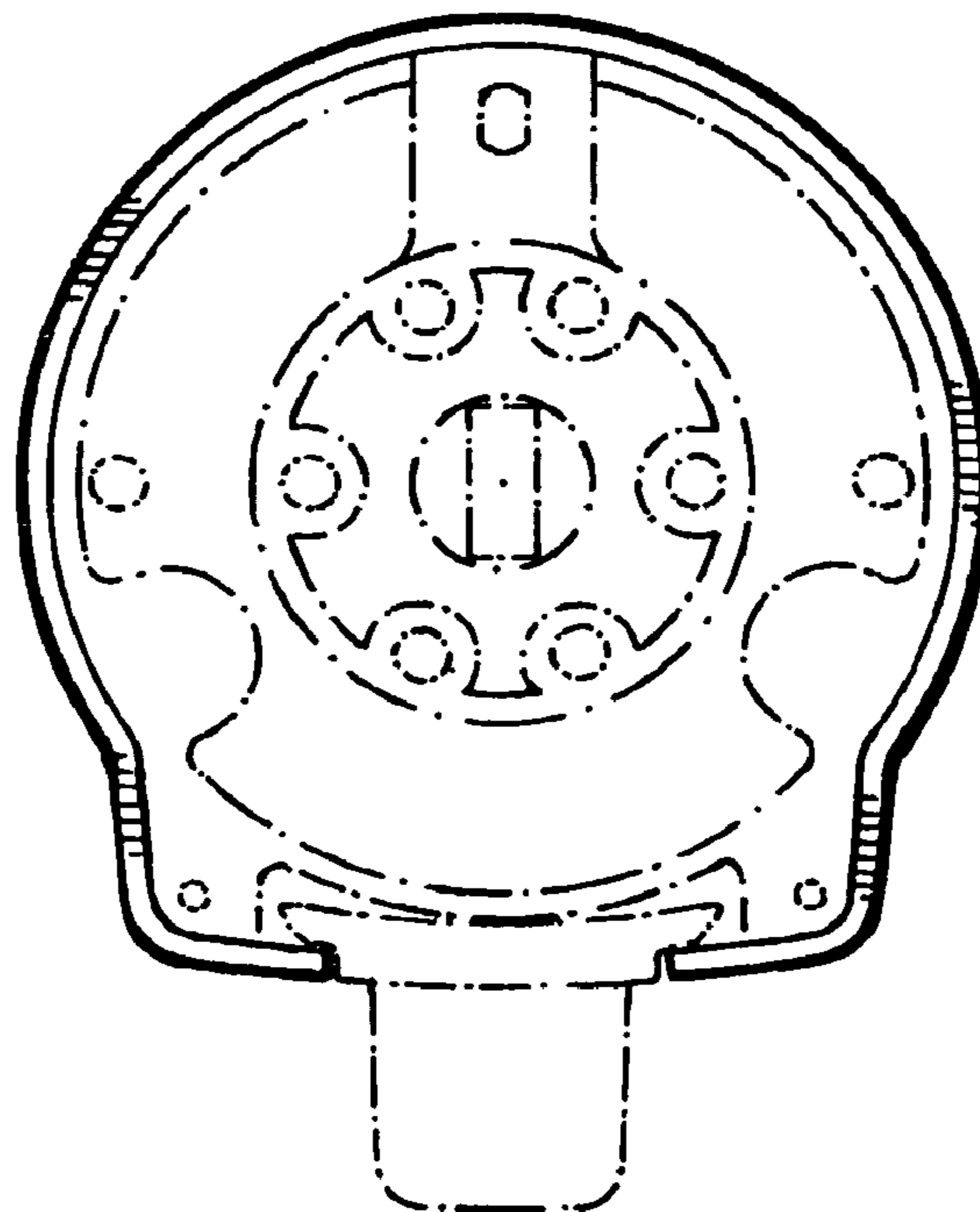


FIG. 6

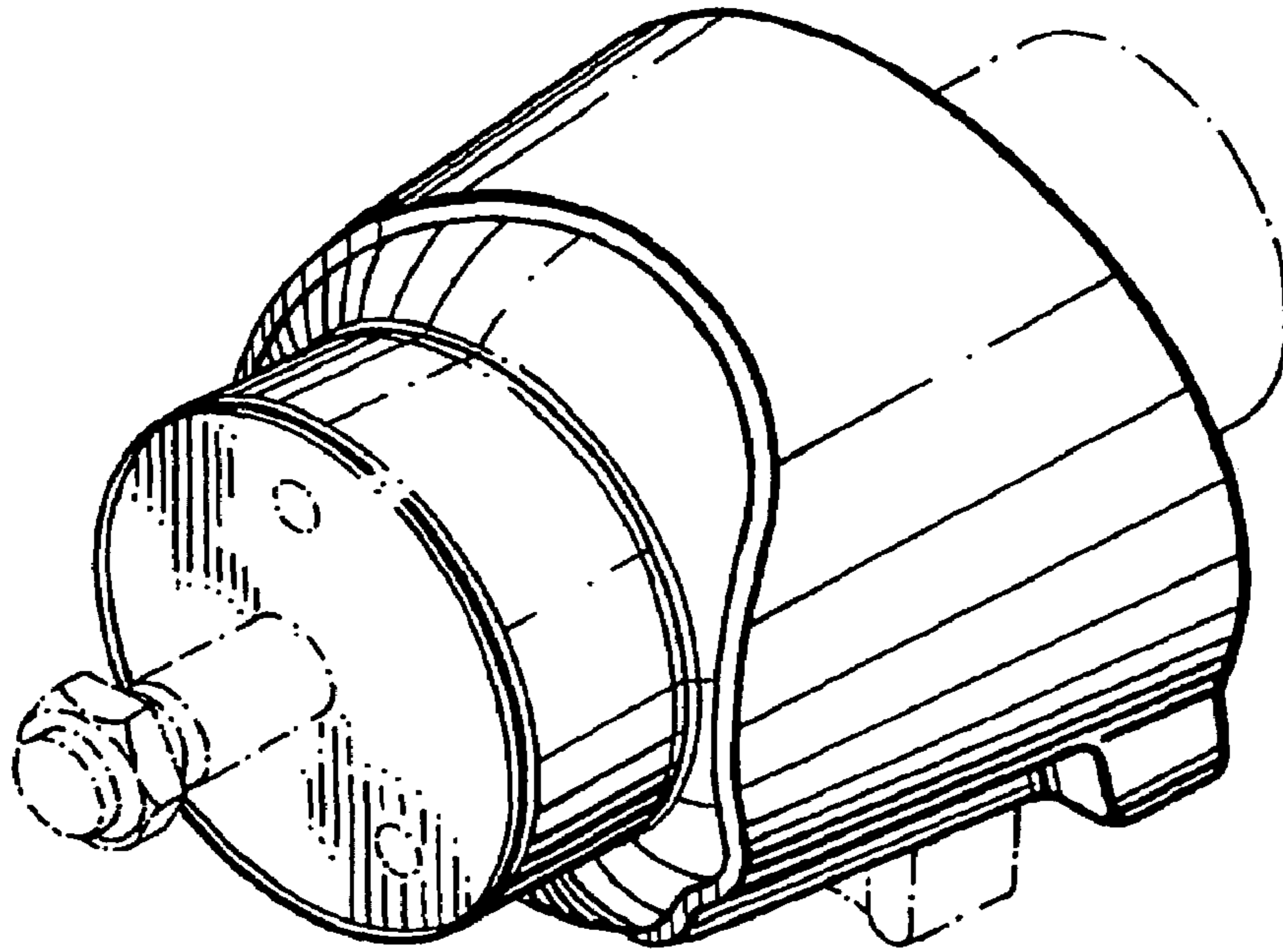


FIG. 7

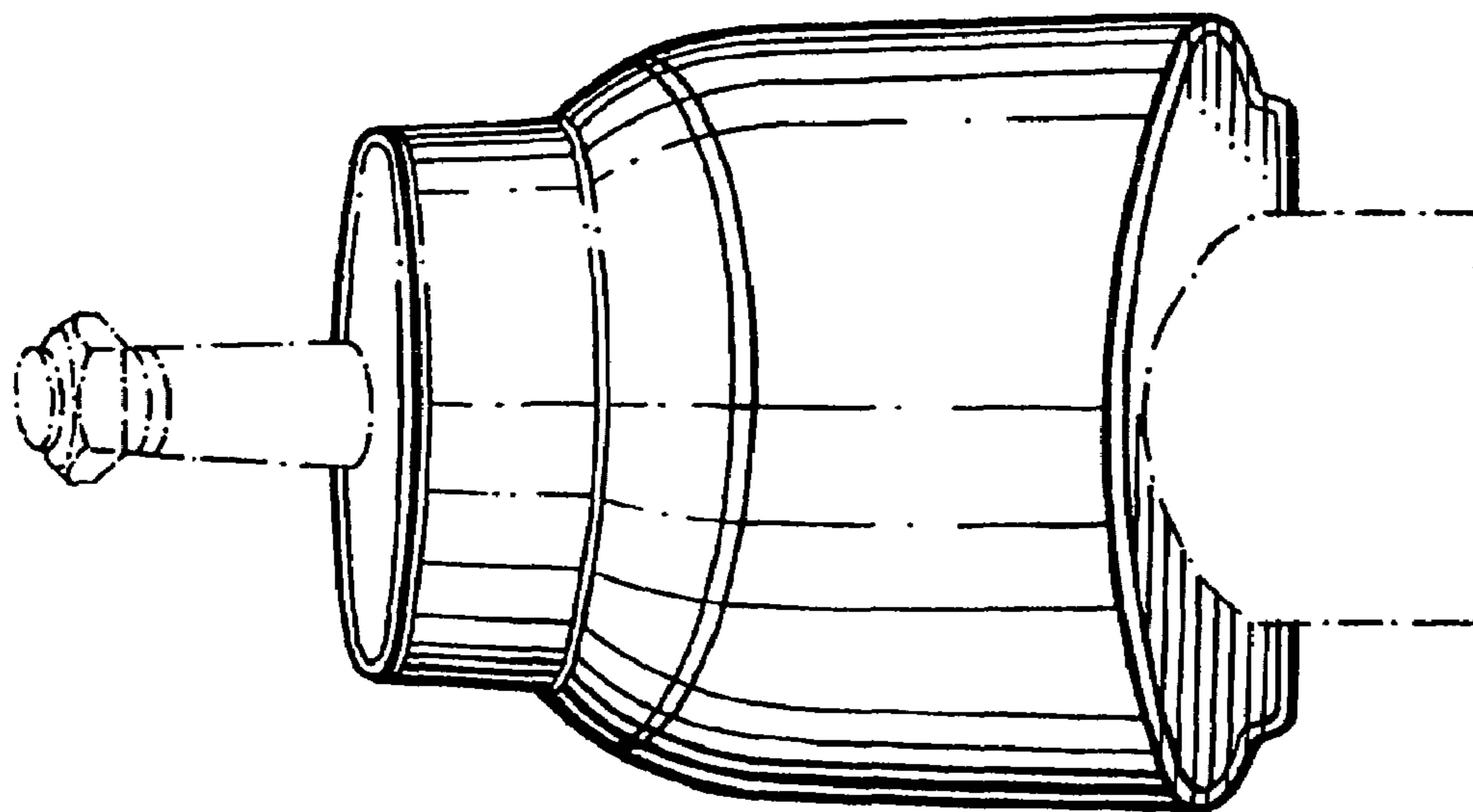


FIG. 8