

US00D562752S

(12) **United States Design Patent**  
**Chung**

(10) **Patent No.:** **US D562,752 S**

(45) **Date of Patent:** **\*\* \*Feb. 26, 2008**

(54) **FRONT FACE OF A VEHICLE WHEEL**

(75) Inventor: **Suny Chung**, Cerritos, CA (US)

(73) Assignee: **Wheel Pros, Inc.**, Cerritos, CA (US)

(\*) Notice: This patent is subject to a terminal disclaimer.

(\*\*) Term: **14 Years**

(21) Appl. No.: **29/280,221**

(22) Filed: **May 21, 2007**

(51) **LOC (8) Cl.** ..... **12-16**

(52) **U.S. Cl.** ..... **D12/209**

(58) **Field of Classification Search** ..... D12/204-213;  
301/37.101, 64.101, 65, 64.201  
See application file for complete search history.

(56) **References Cited**

**U.S. PATENT DOCUMENTS**

D427,961 S \* 7/2000 Donikoglu ..... D12/210  
D458,207 S \* 6/2002 Hale, Jr. .... D12/209

D492,924 S \* 7/2004 Fitzgerald ..... D12/209  
D515,002 S \* 2/2006 Looho ..... D12/210  
D516,986 S \* 3/2006 Karagozlu ..... D12/209  
D526,266 S \* 8/2006 Kim ..... D12/209  
D527,699 S \* 9/2006 Kiesel ..... D12/209

\* cited by examiner

*Primary Examiner*—Stacia Cadmus

(74) *Attorney, Agent, or Firm*—Charles C. H. Wu; Wu & Cheung, LLP

(57) **CLAIM**

The ornamental design for the front face of a vehicle wheel, as shown and described.

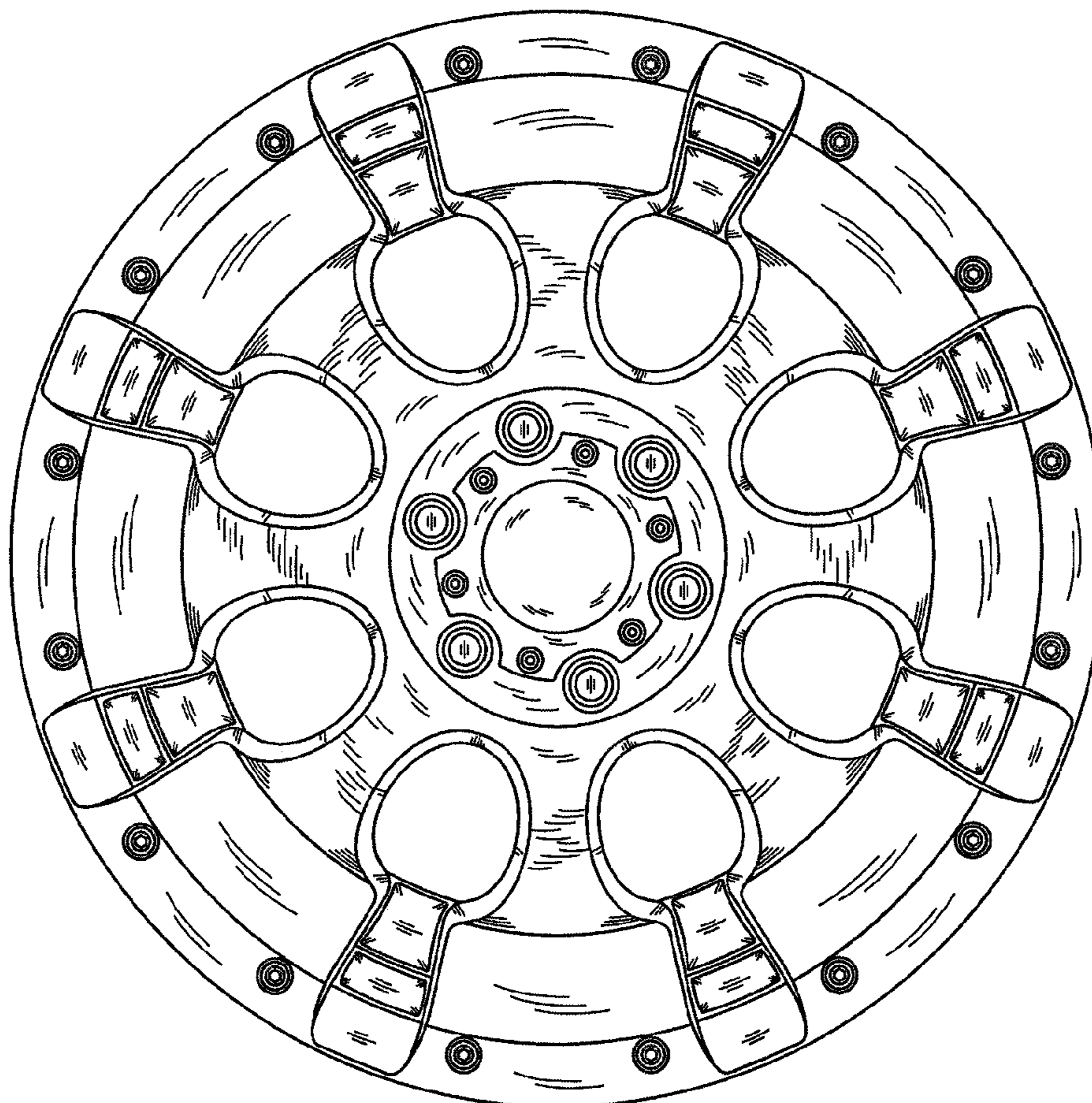
**DESCRIPTION**

FIG. 1 is a perspective view of a front face of a vehicle wheel showing my new design; and,

FIG. 2 is a front view thereof.

The broken line showing of environment is for illustrative purposes only and forms no part of the claimed design.

**1 Claim, 2 Drawing Sheets**



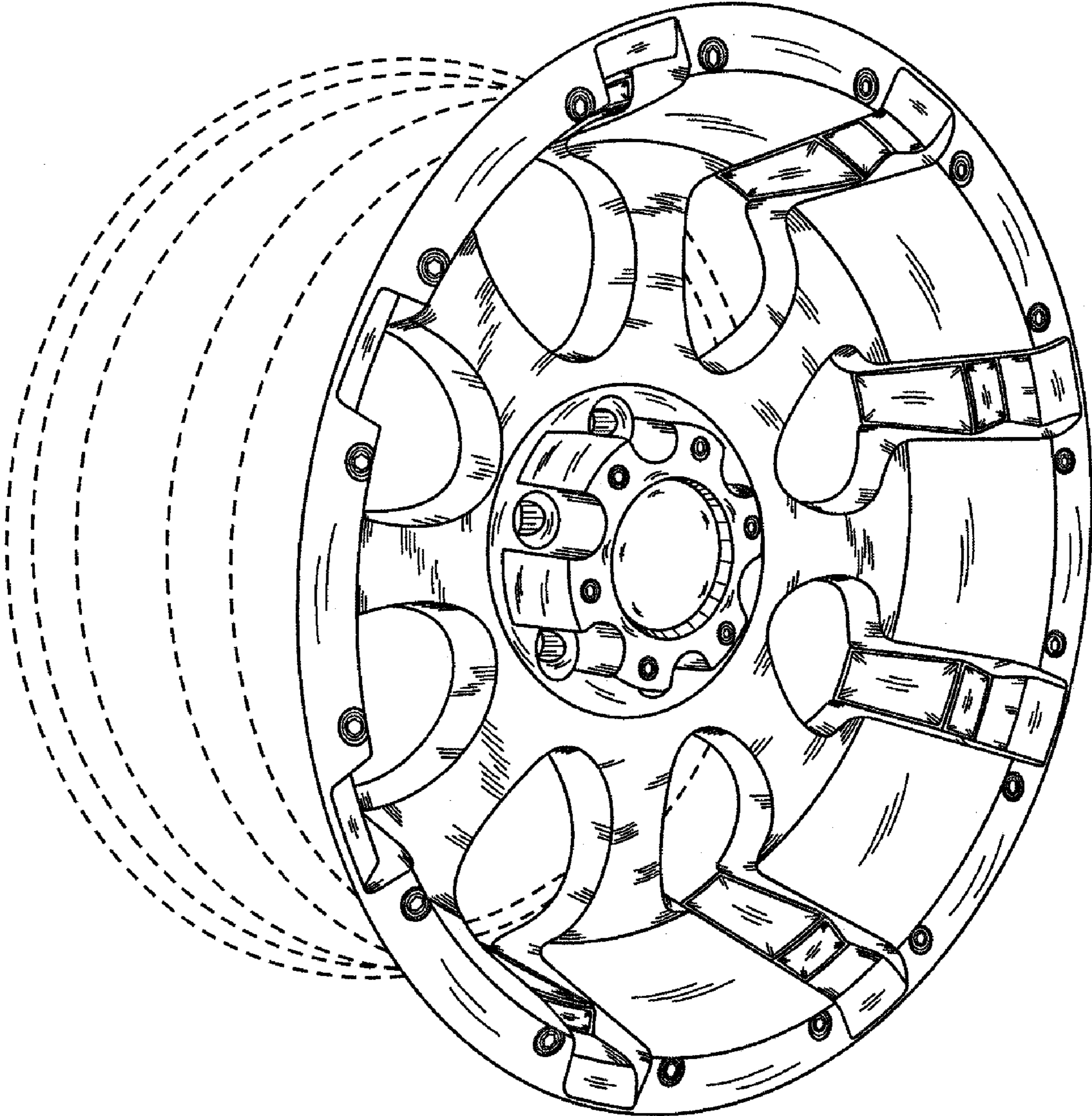


FIG. 1

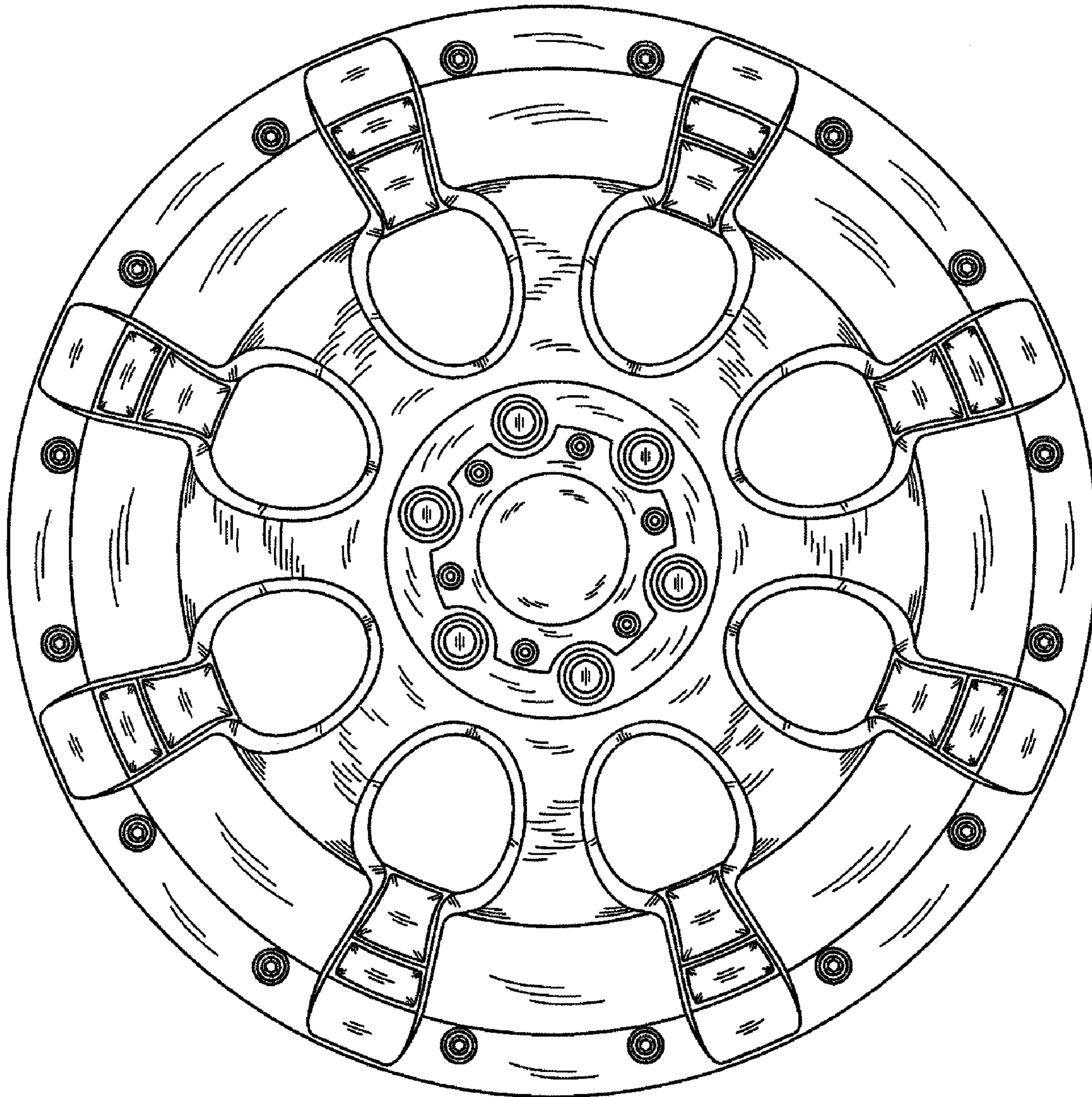


FIG. 2