



US00D562750S

(12) **United States Design Patent**
Schowalter

(10) **Patent No.:** **US D562,750 S**

(45) **Date of Patent:** **** Feb. 26, 2008**

(54) **PORTION OF A VEHICLE DOOR INTERIOR**

(75) Inventor: **Jean-Paul Schowalter**, Long Beach,
CA (US)

(73) Assignee: **Honda Motor Co., Ltd.**, Tokyo (JP)

(**) Term: **14 Years**

(21) Appl. No.: **29/250,677**

(22) Filed: **Nov. 27, 2006**

(51) **LOC (8) Cl.** **12-08**

(52) **U.S. Cl.** **D12/195**

(58) **Field of Classification Search** D12/195,
D12/190; 49/501-502; 296/37.1, 37.13,
296/149, 153, 146.1

See application file for complete search history.

(56) **References Cited**

U.S. PATENT DOCUMENTS

- D463,343 S * 9/2002 Siegert D12/195
- D503,913 S * 4/2005 Wyszogrod D12/195
- D519,429 S * 4/2006 Miyashita D12/195

- D529,425 S * 10/2006 Maezono et al. D12/195
- D531,101 S * 10/2006 Yu et al. D12/195
- D533,821 S * 12/2006 Tamagawa et al. D12/195
- D534,849 S * 1/2007 Tamagawa et al. D12/195
- D547,248 S * 7/2007 Schowalter et al. D12/195

* cited by examiner

Primary Examiner—Stacia Cadmus

(74) *Attorney, Agent, or Firm*—Plumsea Law Group, LLC

(57) **CLAIM**

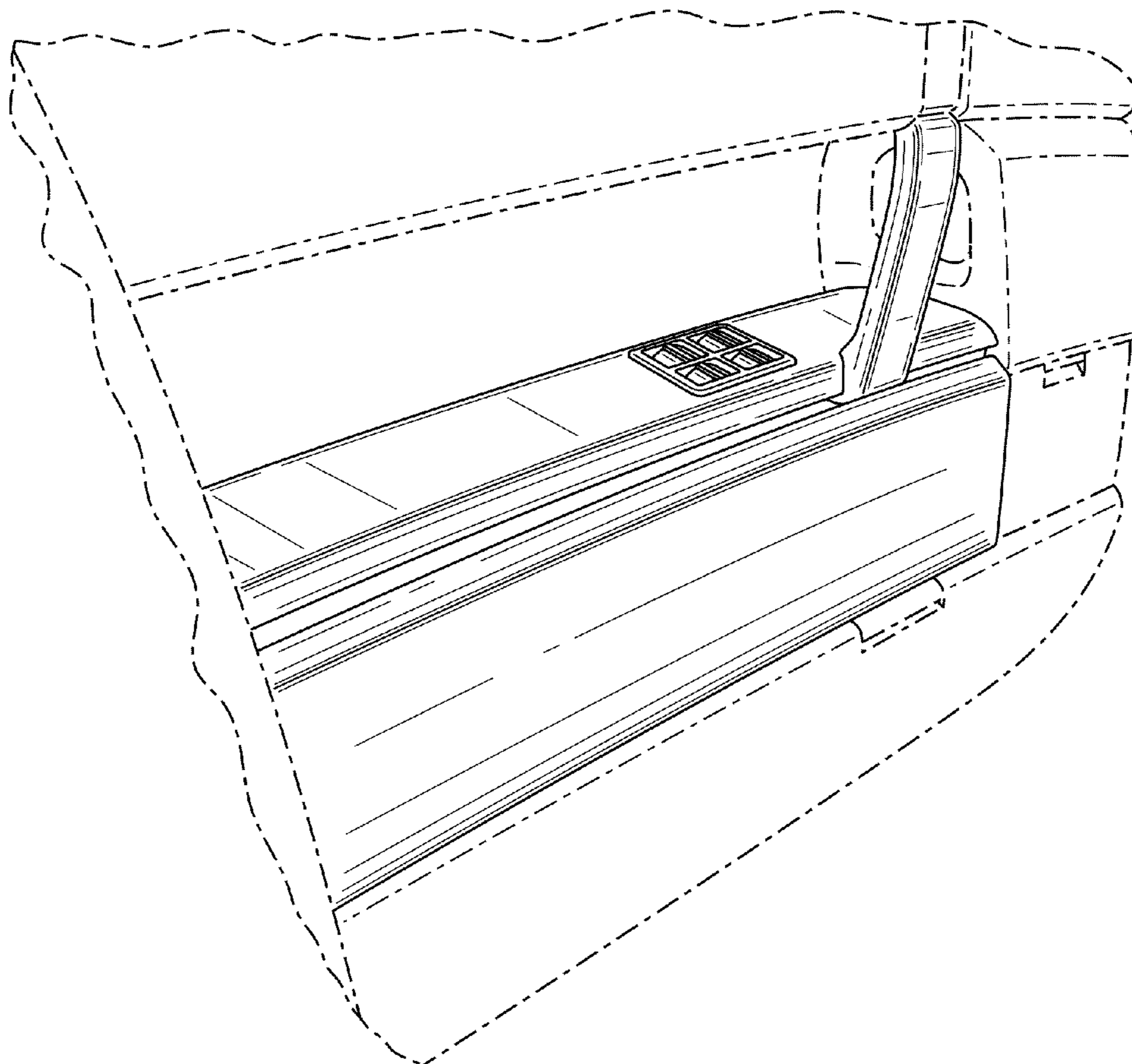
The ornamental design for a portion of a vehicle door interior, as shown and described.

DESCRIPTION

FIG. 1 is a perspective view of a portion of a vehicle door interior showing my new design; and, FIG. 2 is an elevational view thereof.

The broken line showings of the remainder of the door interior are for illustrative purposes only and form no part of the claimed design.

1 Claim, 2 Drawing Sheets



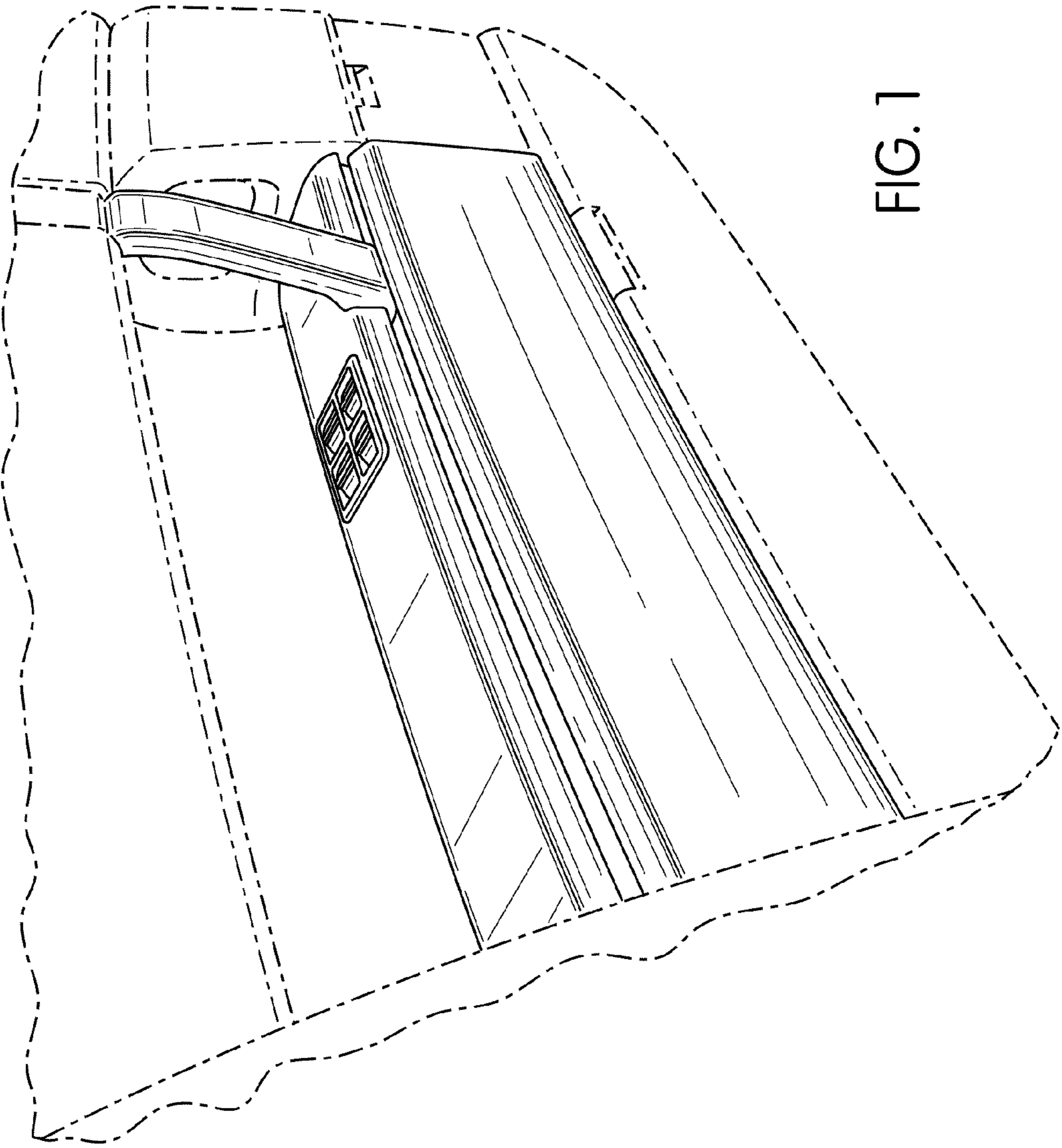


FIG. 1

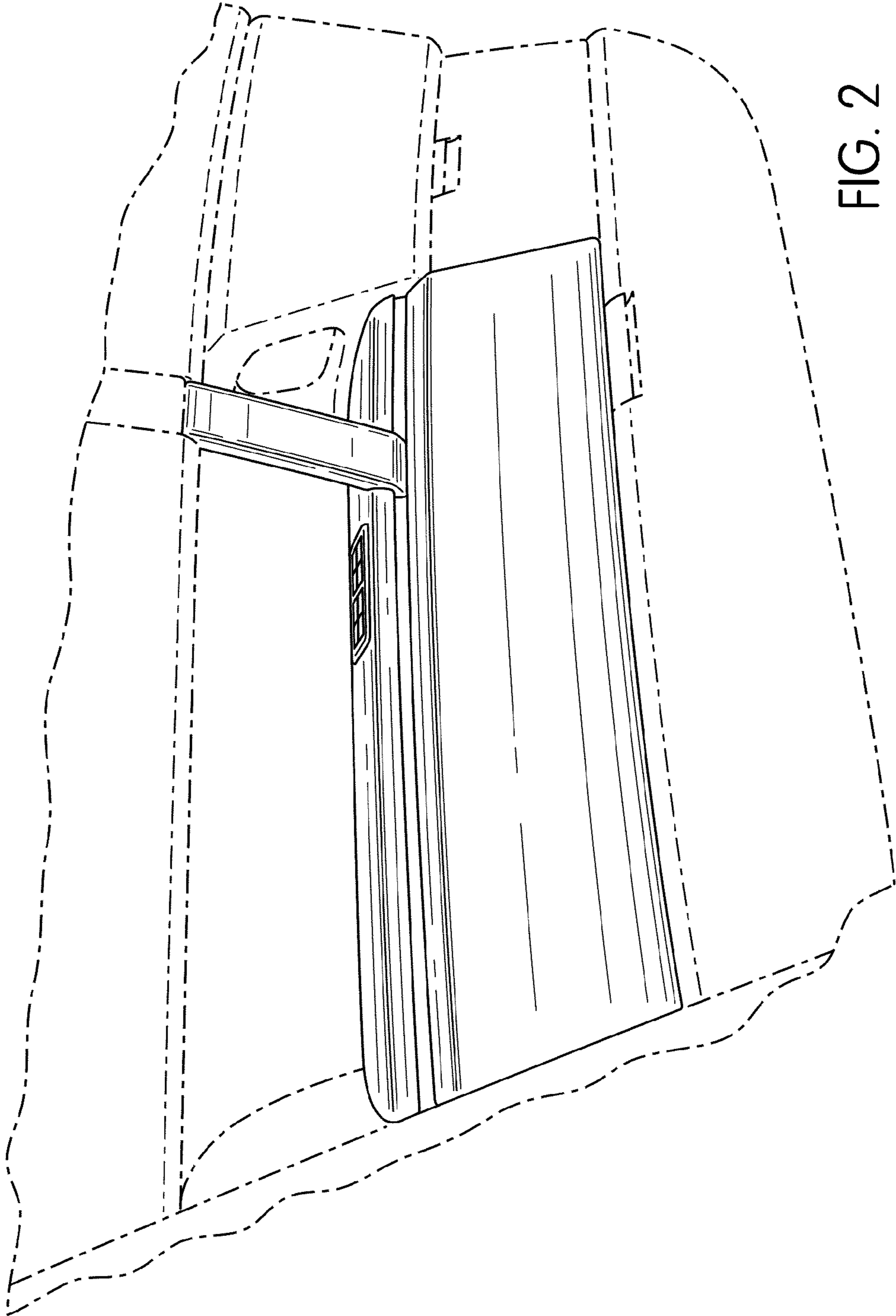


FIG. 2