

US00D562746S

(12) **United States Design Patent**
Wehage

(10) **Patent No.:** **US D562,746 S**

(45) **Date of Patent:** **** Feb. 26, 2008**

(54) **BRAKE OF A BICYCLE**

(75) **Inventor:** **Kristopher Wehage**, Taichung Hsien (TW)

(73) **Assignee:** **Tien Hsin Industries Co., Ltd.**, Taichung (TW)

(**) **Term:** **14 Years**

(21) **Appl. No.:** **29/277,026**

(22) **Filed:** **Feb. 10, 2007**

(51) **LOC (8) Cl.** **12-16**

(52) **U.S. Cl.** **D12/179**

(58) **Field of Classification Search** D12/111, D12/179, 180; 188/24.11–24.22, 2 D, 73.1, 188/73.3, 73.31–73.39, 73.43, 73.45, 218 XL, 188/250 B, 250 E, 250 G; 74/489, 502.2, 74/480 R, 500.5, 501.5 R

See application file for complete search history.

(56) **References Cited**

U.S. PATENT DOCUMENTS

- D245,245 S * 8/1977 Lauzier D12/179
- 4,064,972 A * 12/1977 Ohtani et al. 188/24.19
- D269,424 S * 6/1983 Yoshigai D12/179

- 4,805,742 A * 2/1989 Sato 188/24.11
- 4,838,386 A * 6/1989 Yoshigai 188/24.12
- D340,902 S * 11/1993 Mele D12/179
- 6,412,605 B2 * 7/2002 Campagnolo 188/24.11

* cited by examiner

Primary Examiner—Cathron Brooks

Assistant Examiner—Linda Brooks

(74) *Attorney, Agent, or Firm*—Banger Shia

(57) **CLAIM**

The ornamental design for a brake of a bicycle, as shown and described.

DESCRIPTION

FIG. 1 is a perspective view of a brake of a bicycle showing my new design;

FIG. 2 is a front elevational view thereof;

FIG. 3 is a rear elevational view thereof,

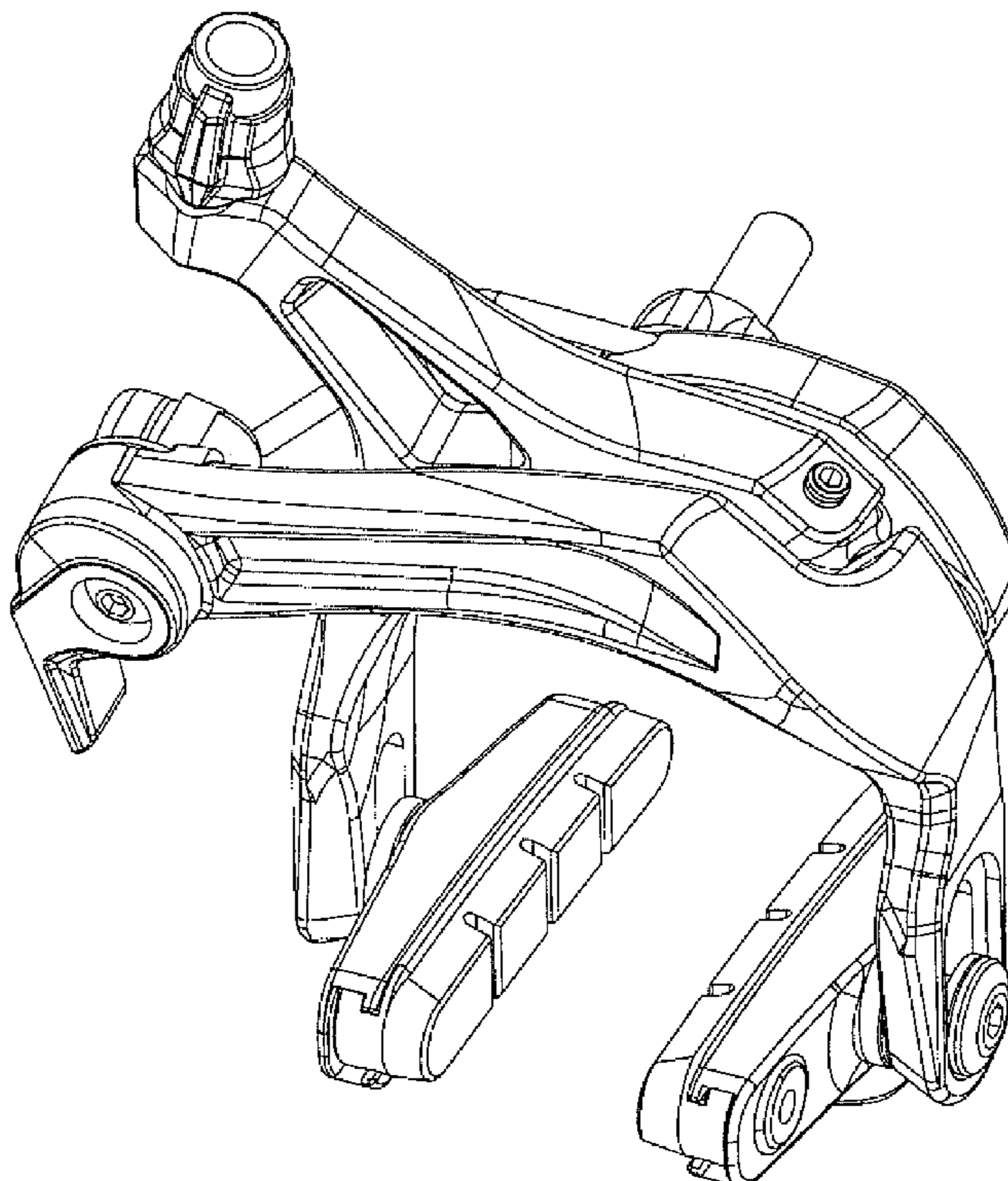
FIG. 4 is a left side elevational view thereof,

FIG. 5 is a right side elevational view thereof,

FIG. 6 is a top plan view thereof; and,

FIG. 7 is a bottom plan view thereof.

1 Claim, 7 Drawing Sheets



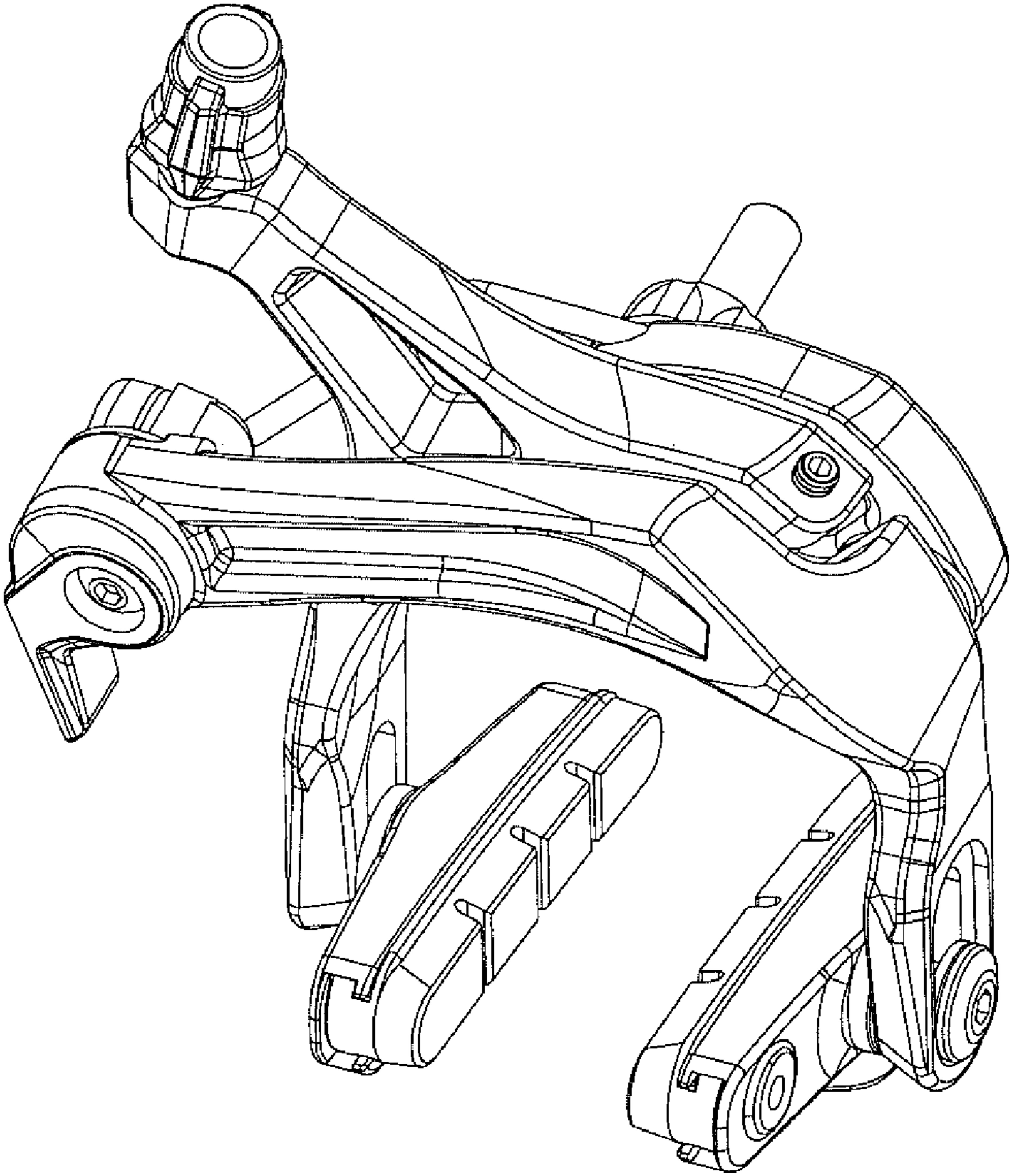


FIG. 1

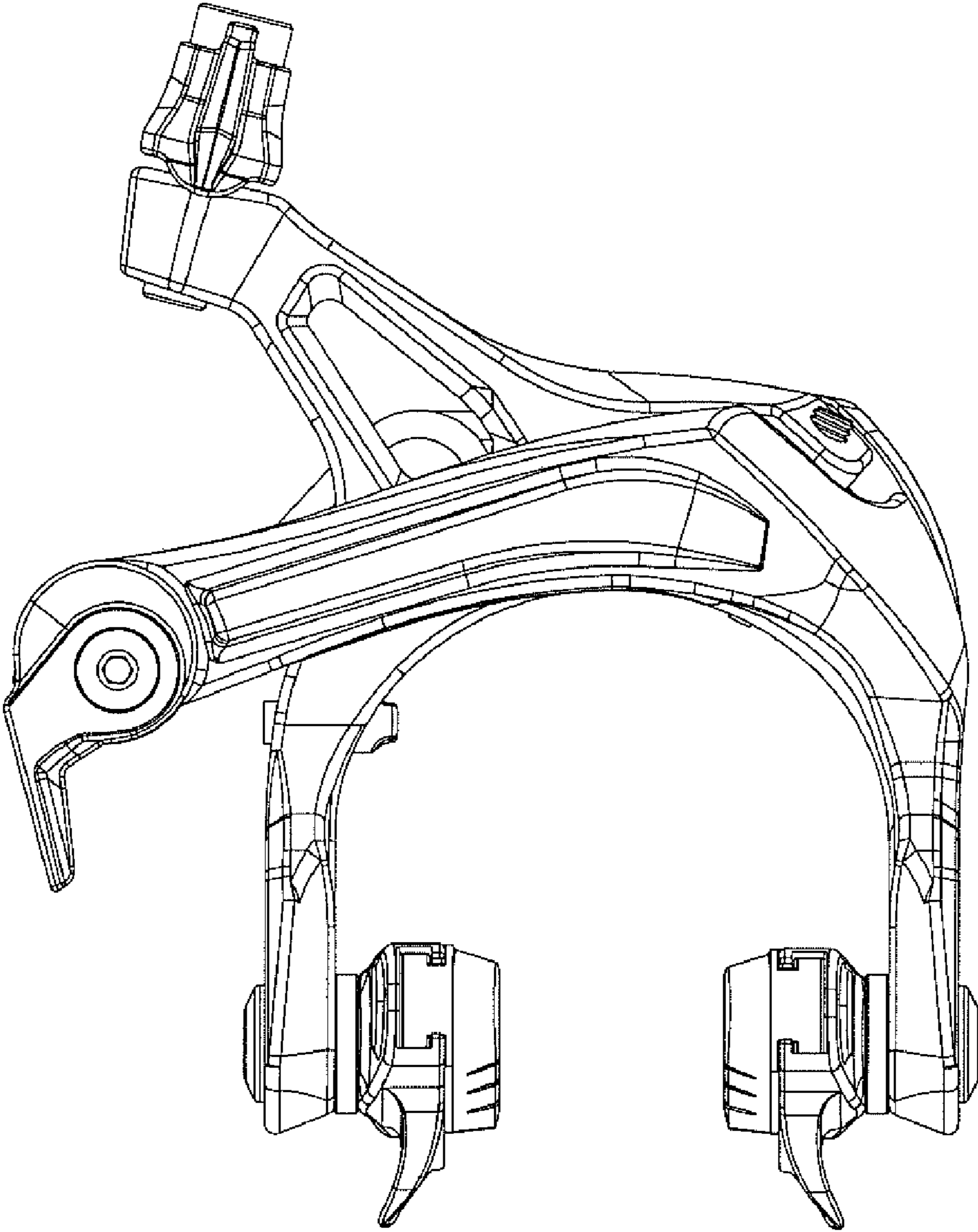


FIG. 2

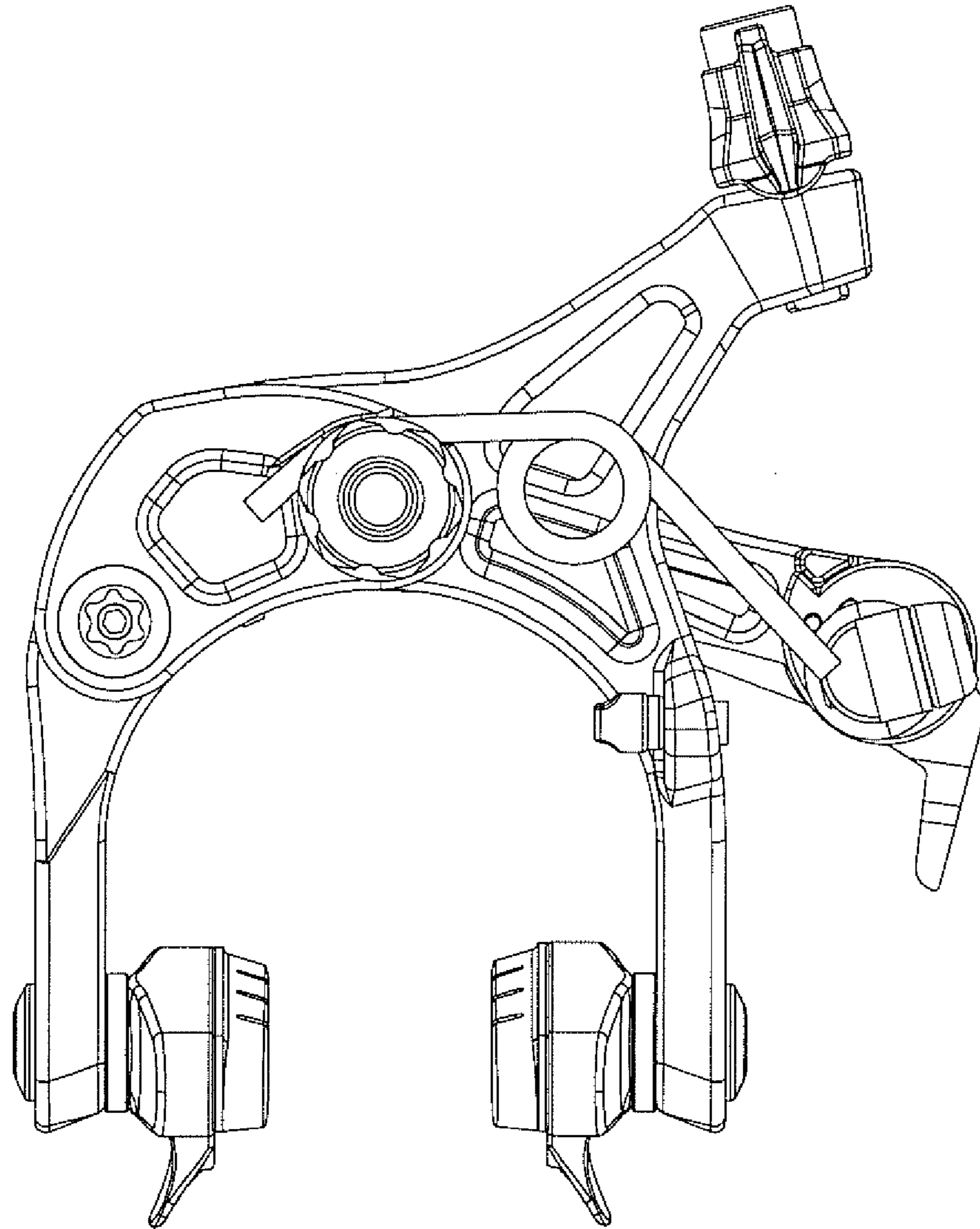


FIG. 3

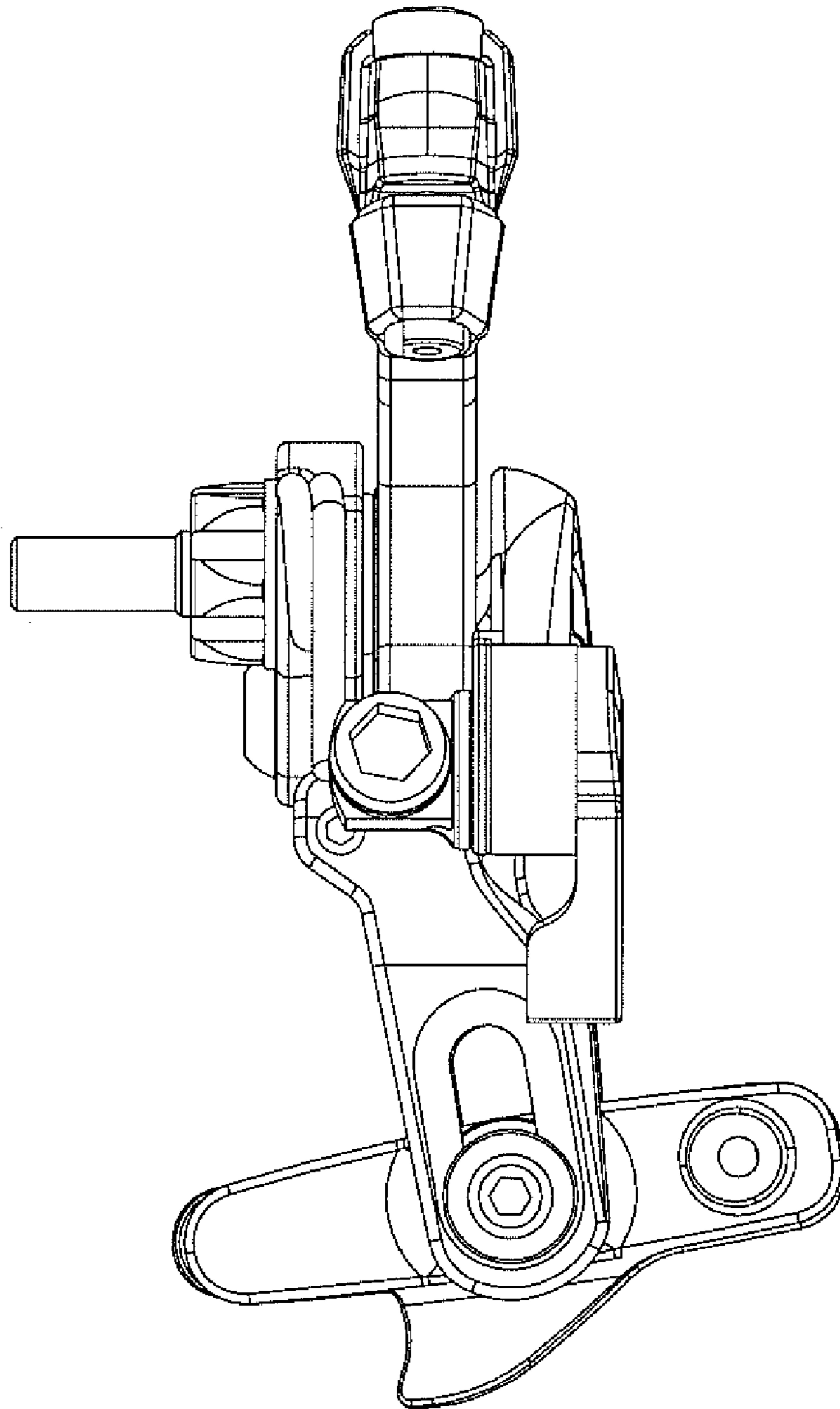


FIG. 4

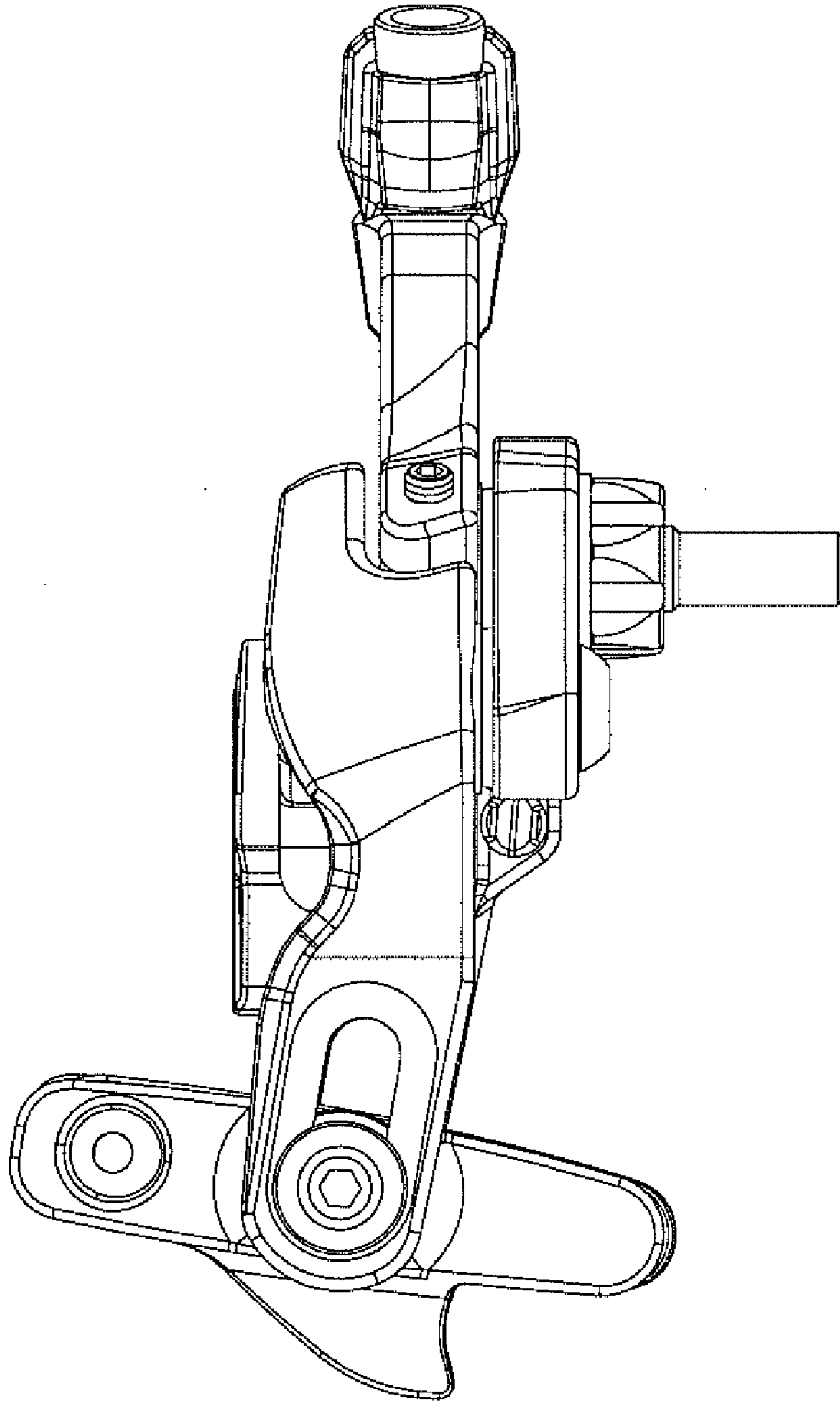


FIG. 5

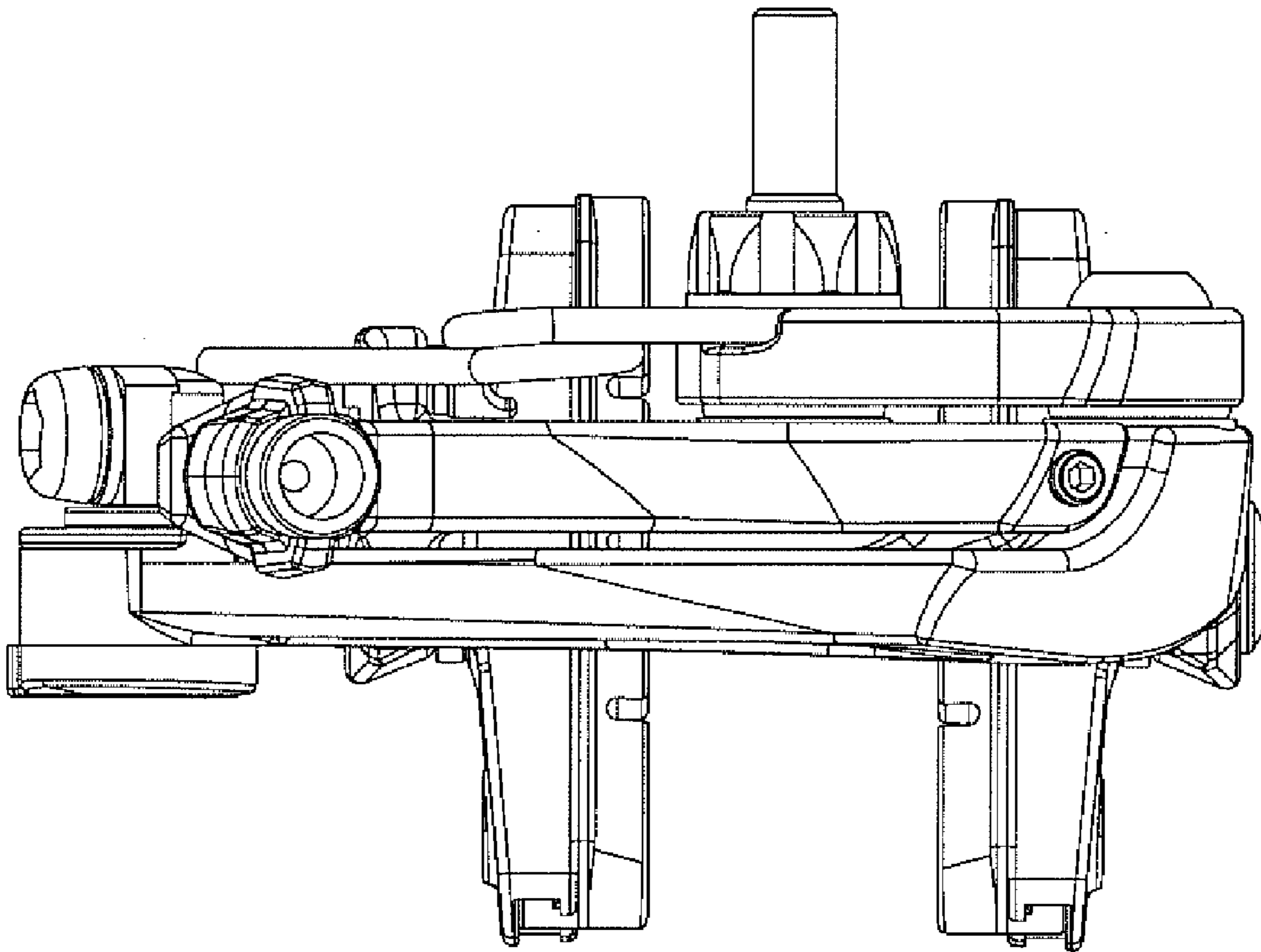


FIG. 6

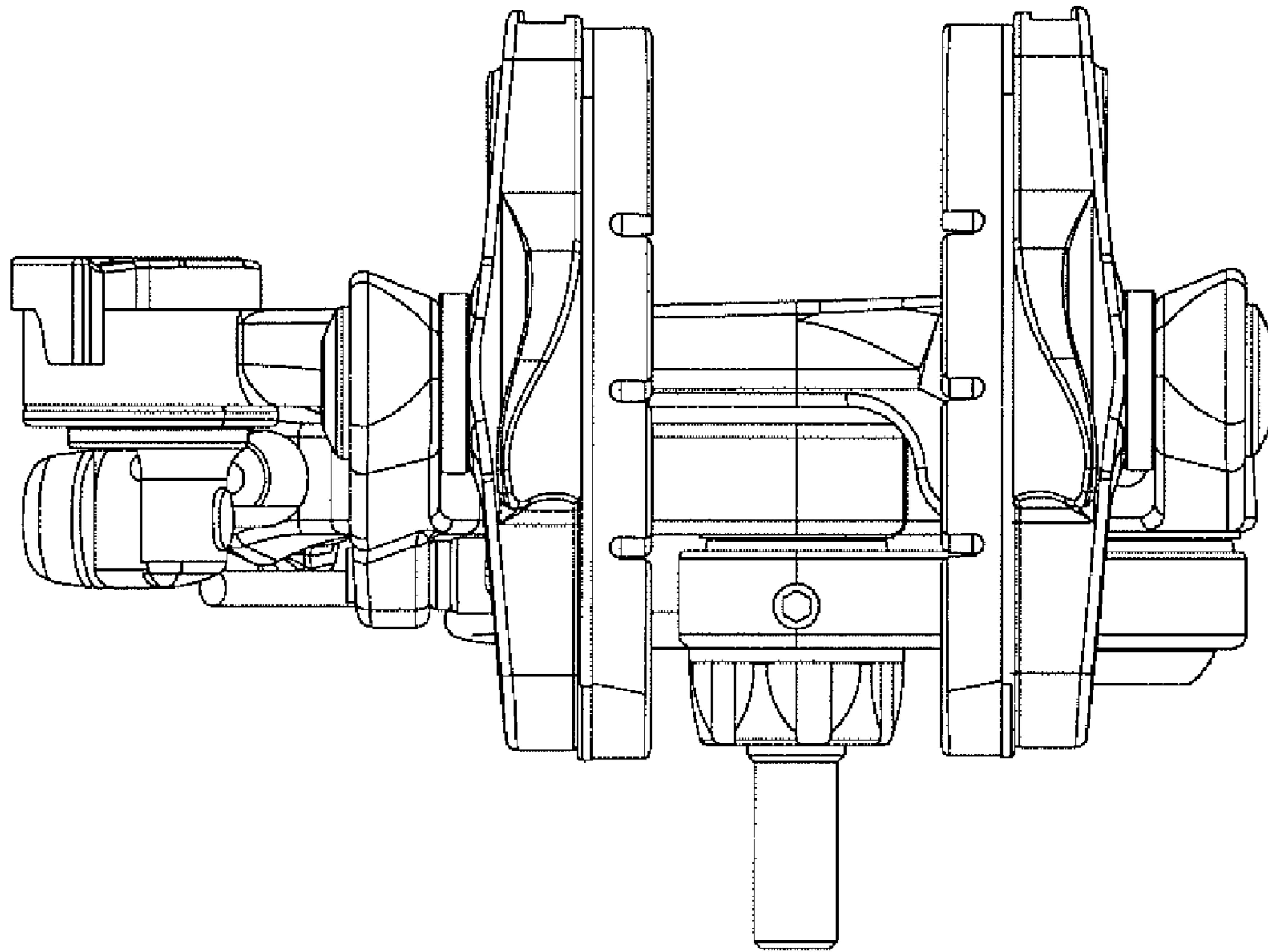


FIG. 7