

US00D562745S

(12) **United States Design Patent**  
**Schowalter**

(10) **Patent No.:** **US D562,745 S**

(45) **Date of Patent:** **\*\* Feb. 26, 2008**

(54) **VEHICLE GEAR SHIFTER**

(75) Inventor: **Jean-Paul Schowalter**, Long Beach, CA (US)

(73) Assignee: **Honda Motor Co., Ltd.**, Tokyo (JP)

(\*\*) Term: **14 Years**

(21) Appl. No.: **29/250,673**

(22) Filed: **Nov. 27, 2006**

(51) **LOC (8) Cl.** ..... **12-16**

(52) **U.S. Cl.** ..... **D12/179**

(58) **Field of Classification Search** ..... D12/179;  
D8/303; 74/475, 489, 523, 473.1

See application file for complete search history.

(56) **References Cited**

**U.S. PATENT DOCUMENTS**

D411,497 S *	6/1999	Lagaay	.....	D12/179
D440,918 S *	4/2001	Pfeiffer	.....	D12/179
D440,919 S *	4/2001	Pfeiffer	.....	D12/179
D473,501 S *	4/2003	Yoshida et al.	.....	D12/179
D483,308 S *	12/2003	Hartono et al.	.....	D12/179

D492,629 S *	7/2004	Hartono et al.	.....	D12/179
D510,061 S *	9/2005	Woods	.....	D12/179

\* cited by examiner

*Primary Examiner*—Melody N. Brown

(74) *Attorney, Agent, or Firm*—Plumsea Law Group, LLC

(57) **CLAIM**

The ornamental design for a vehicle gear shifter, as shown and described.

**DESCRIPTION**

FIG. 1 is a perspective view of a vehicle gear shifter showing my new design;

FIG. 2 is a side elevational view, the opposite side elevational view being a mirror image thereof;

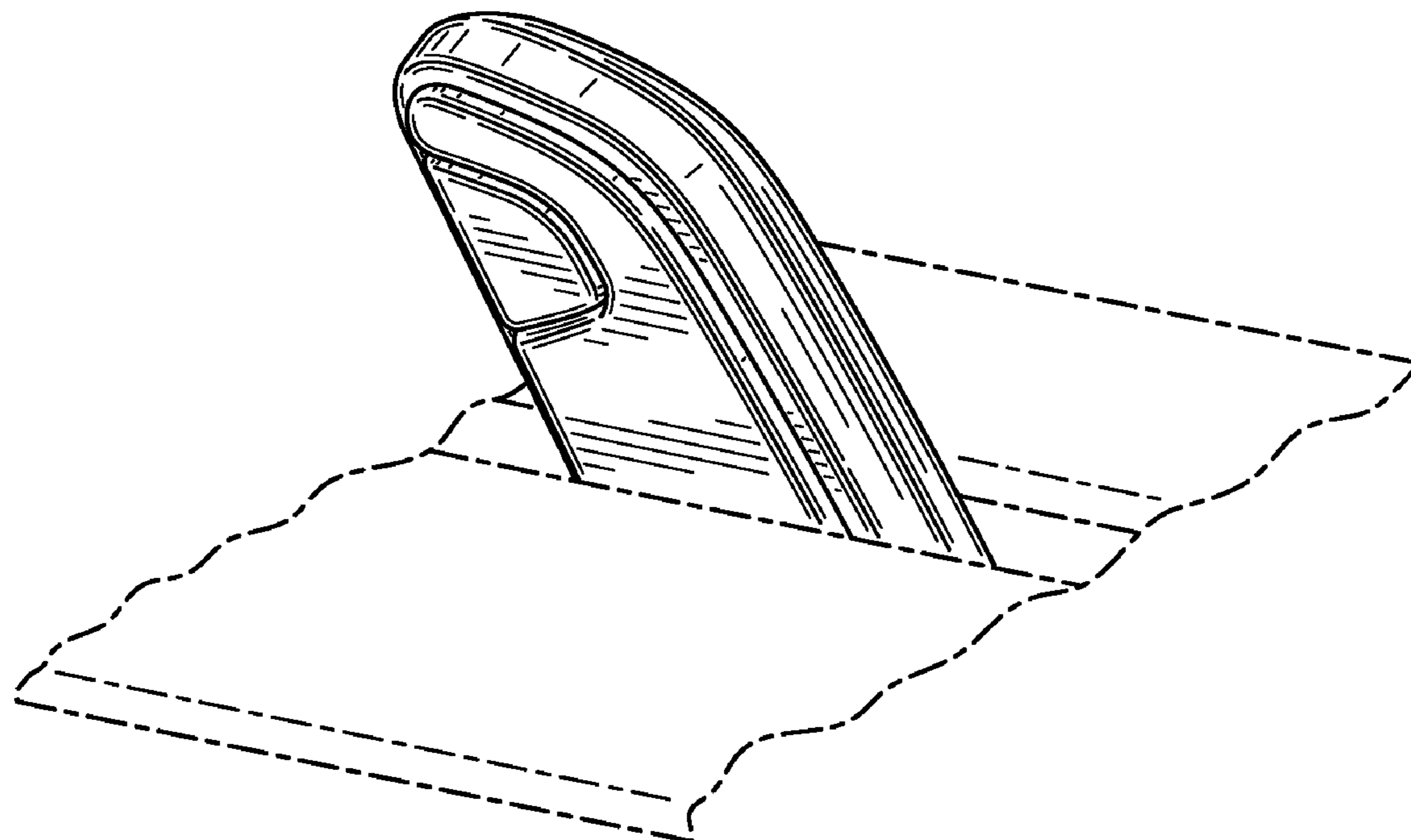
FIG. 3 is a front elevational view thereof;

FIG. 4 is a rear elevational view thereof; and,

FIG. 5 is a top plan view thereof.

The mounting base shown in broken lines are for illustrative purposes only and form no part of the claimed design.

**1 Claim, 3 Drawing Sheets**



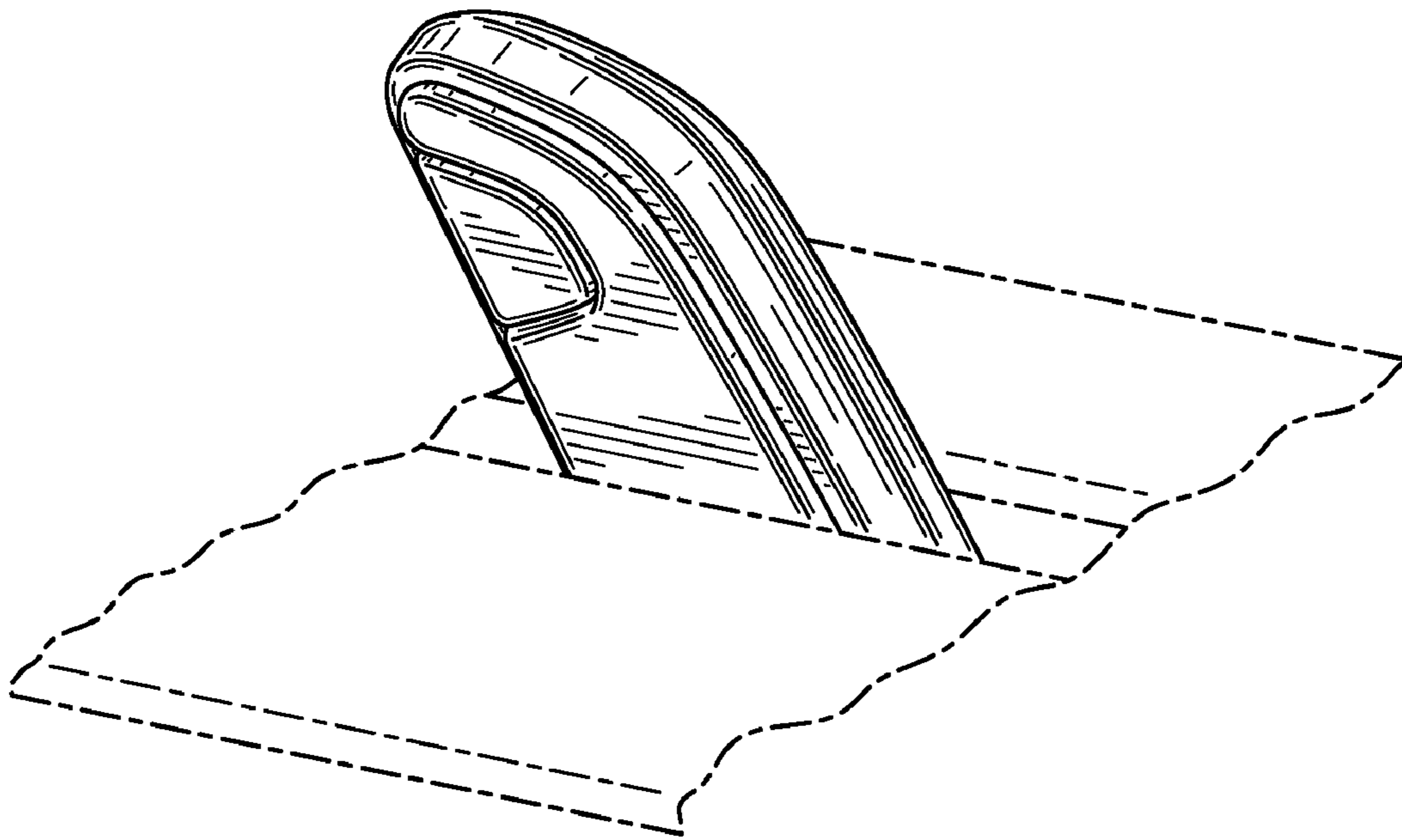


FIG. 1



FIG. 2

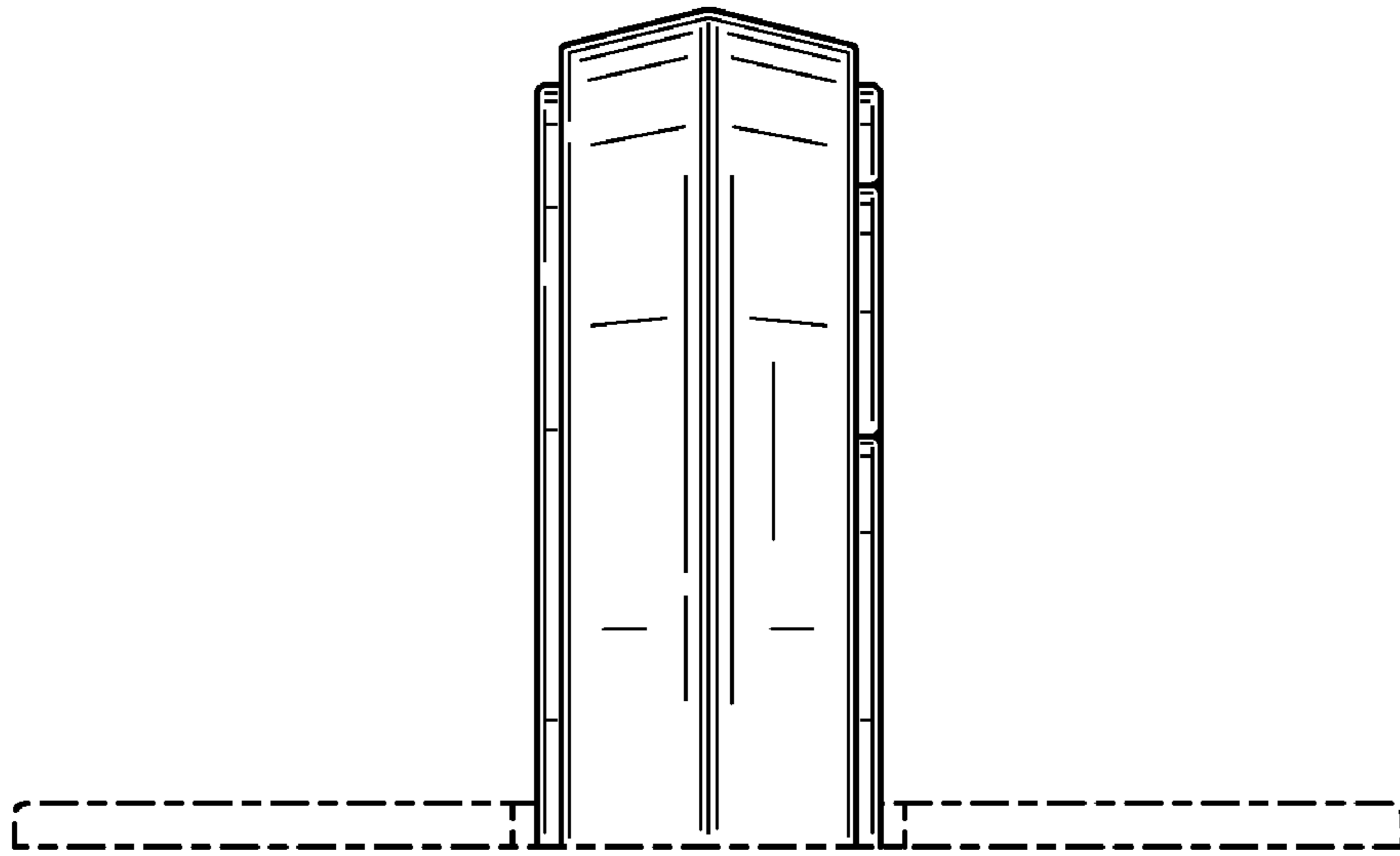


FIG. 3

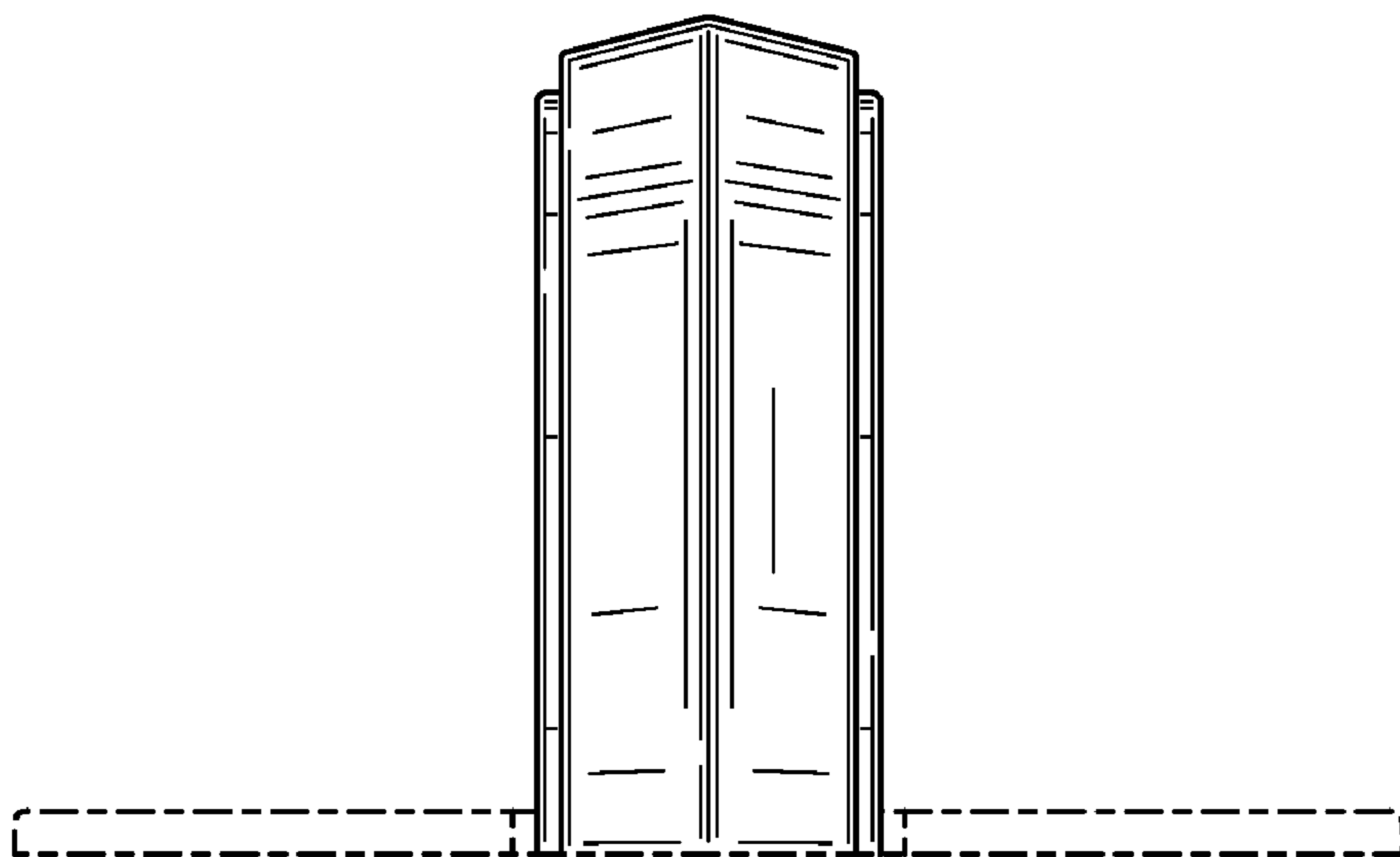


FIG. 4

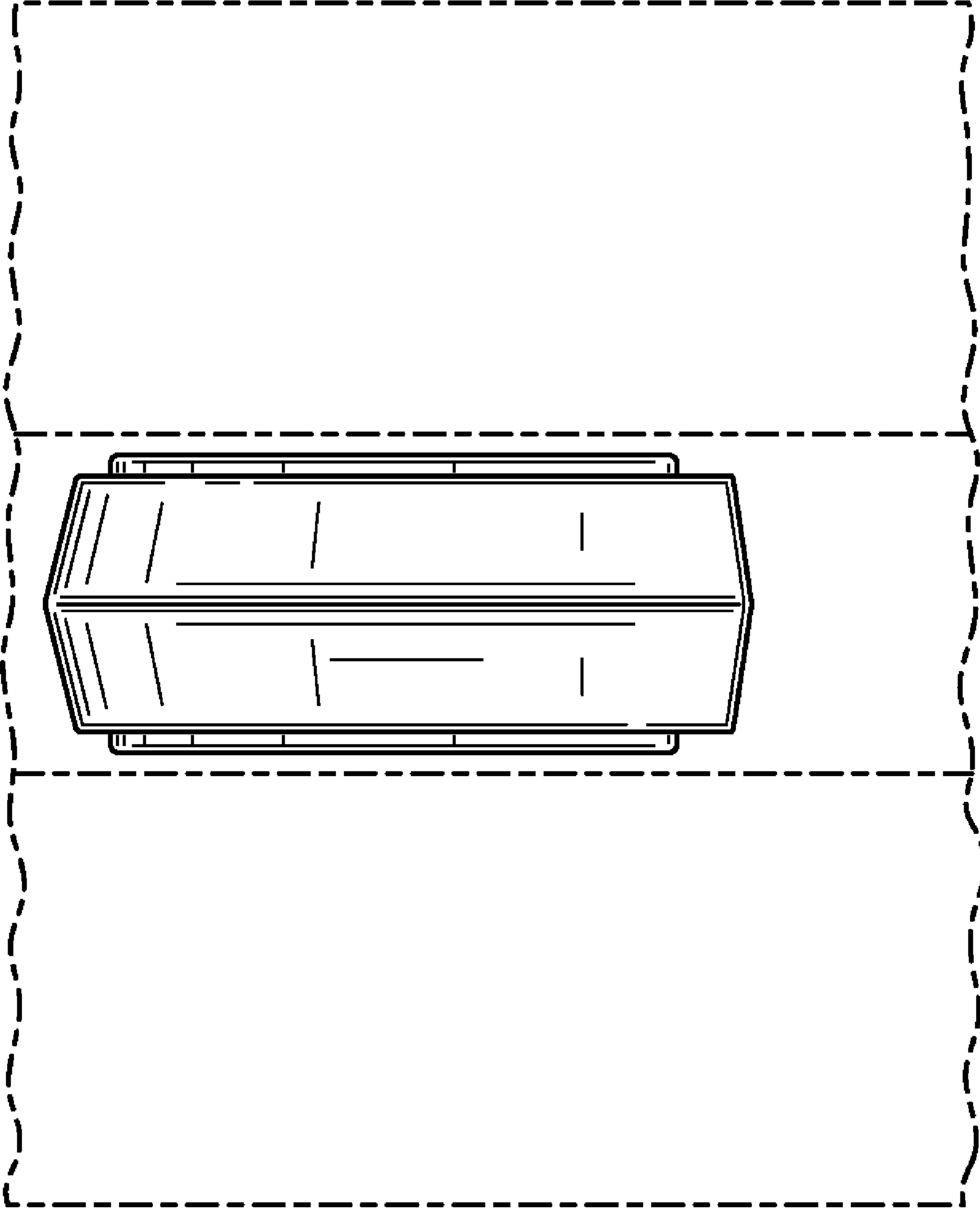


FIG. 5