



US00D562744S

(12) **United States Design Patent**
Hanson et al.

(10) **Patent No.:** **US D562,744 S**

(45) **Date of Patent:** **** Feb. 26, 2008**

(54) **REAR BUMPER**

D516,476 S * 3/2006 Iwanaga et al. D12/169

(75) Inventors: **Donald S. Hanson**, Evans, GA (US);
Michael J. Hebert, Evans, GA (US);
Richard Krall, Augusta, GA (US)

* cited by examiner

Primary Examiner—Melody N. Brown
(74) *Attorney, Agent, or Firm*—Harness, Dickey & Pierce,
P.L.C.

(73) Assignee: **Textron Inc.**, Providence, RI (US)

(**) Term: **14 Years**

(57) **CLAIM**

(21) Appl. No.: **29/276,921**

The ornamental design for a rear bumper, as shown and described.

(22) Filed: **Feb. 9, 2007**

DESCRIPTION

(51) **LOC (8) Cl.** **12-16**

(52) **U.S. Cl.** **D12/169**

(58) **Field of Classification Search** D12/90-92,
D12/86, 169, 196, 163; 296/193.1, 181.1;
293/102, 113, 115, 117, 120

See application file for complete search history.

FIG. 1 is a front perspective view of a rear bumper;
FIG. 2 is a front plan view thereof;
FIG. 3 is a top plan view thereof; and,
FIG. 4 is a right side elevation view thereof (the left side
elevation view is a mirror image to the right side elevation
view).

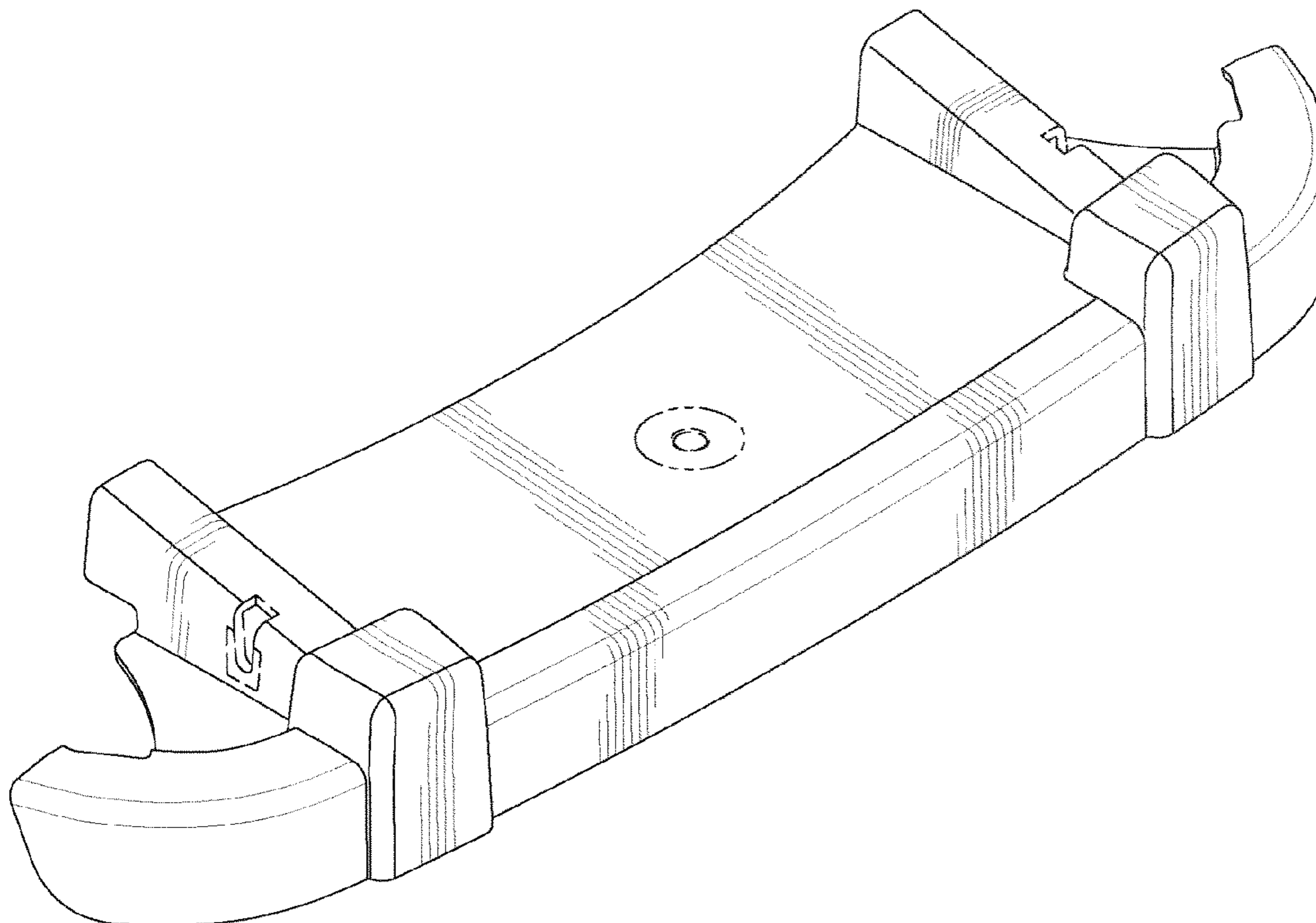
The broken lines shown in FIGS. 3 and 4 are for illustrative
purposes only and do not form part of the invention.

(56) **References Cited**

U.S. PATENT DOCUMENTS

D504,850 S * 5/2005 Gunter et al. D12/169
D516,475 S * 3/2006 Iwasaki et al. D12/169

1 Claim, 2 Drawing Sheets



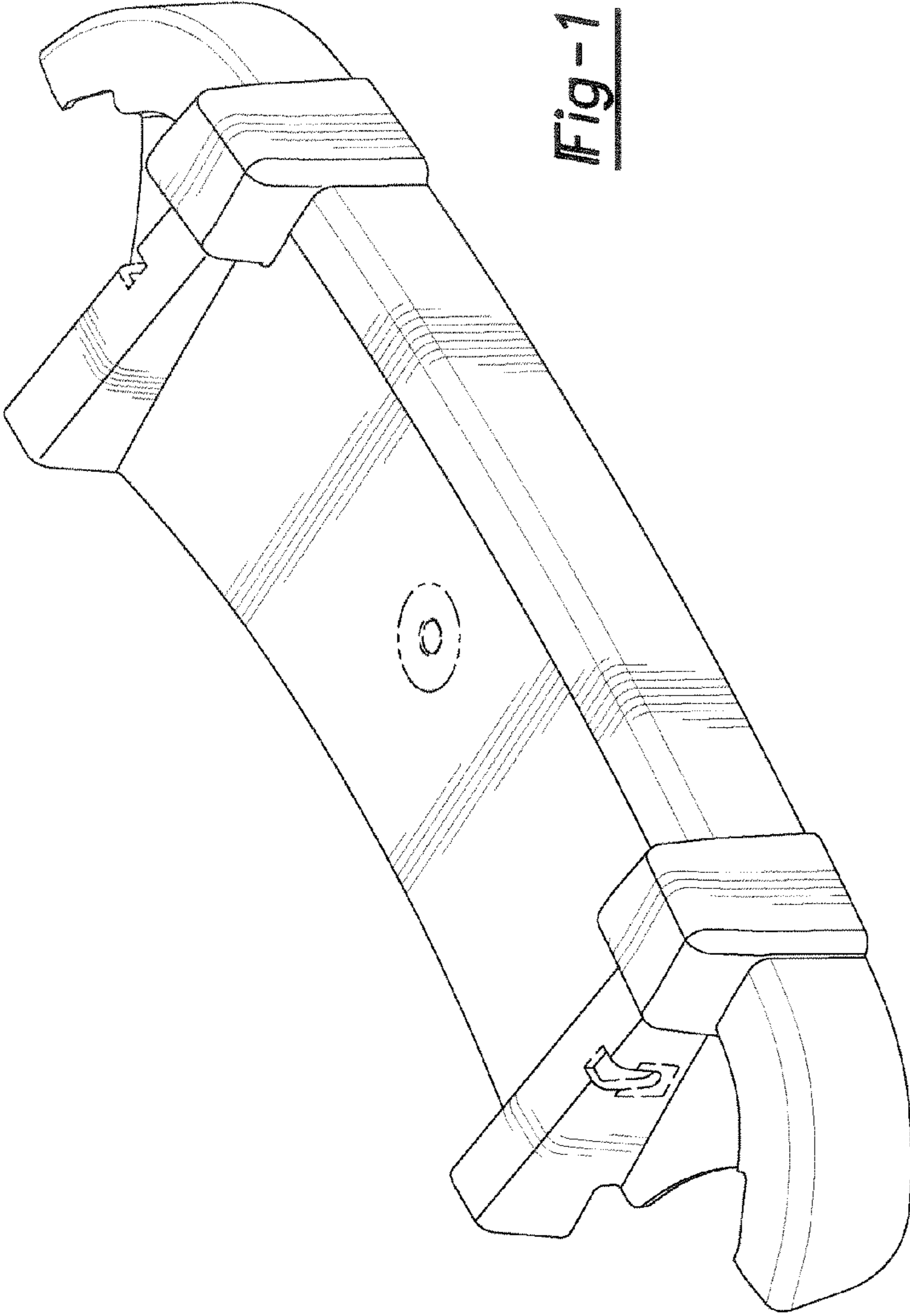


Fig-1

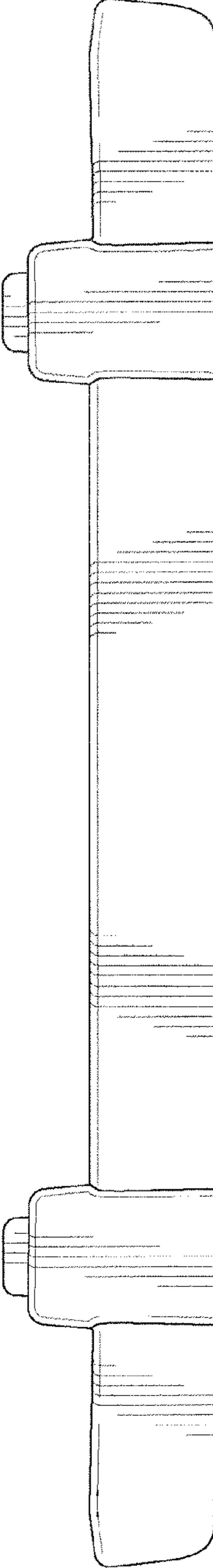


Fig-2

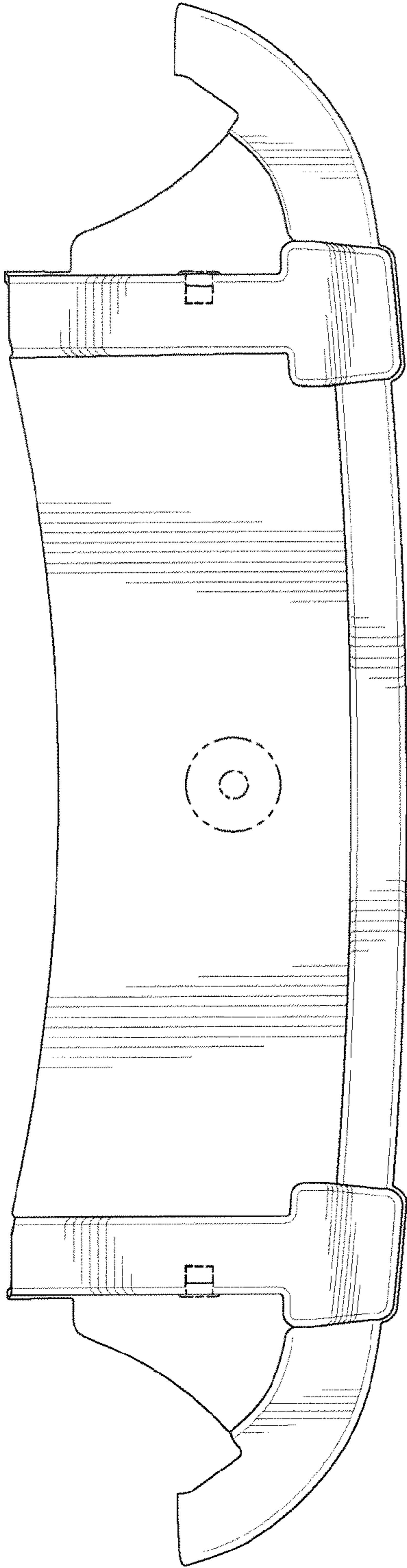


Fig-3

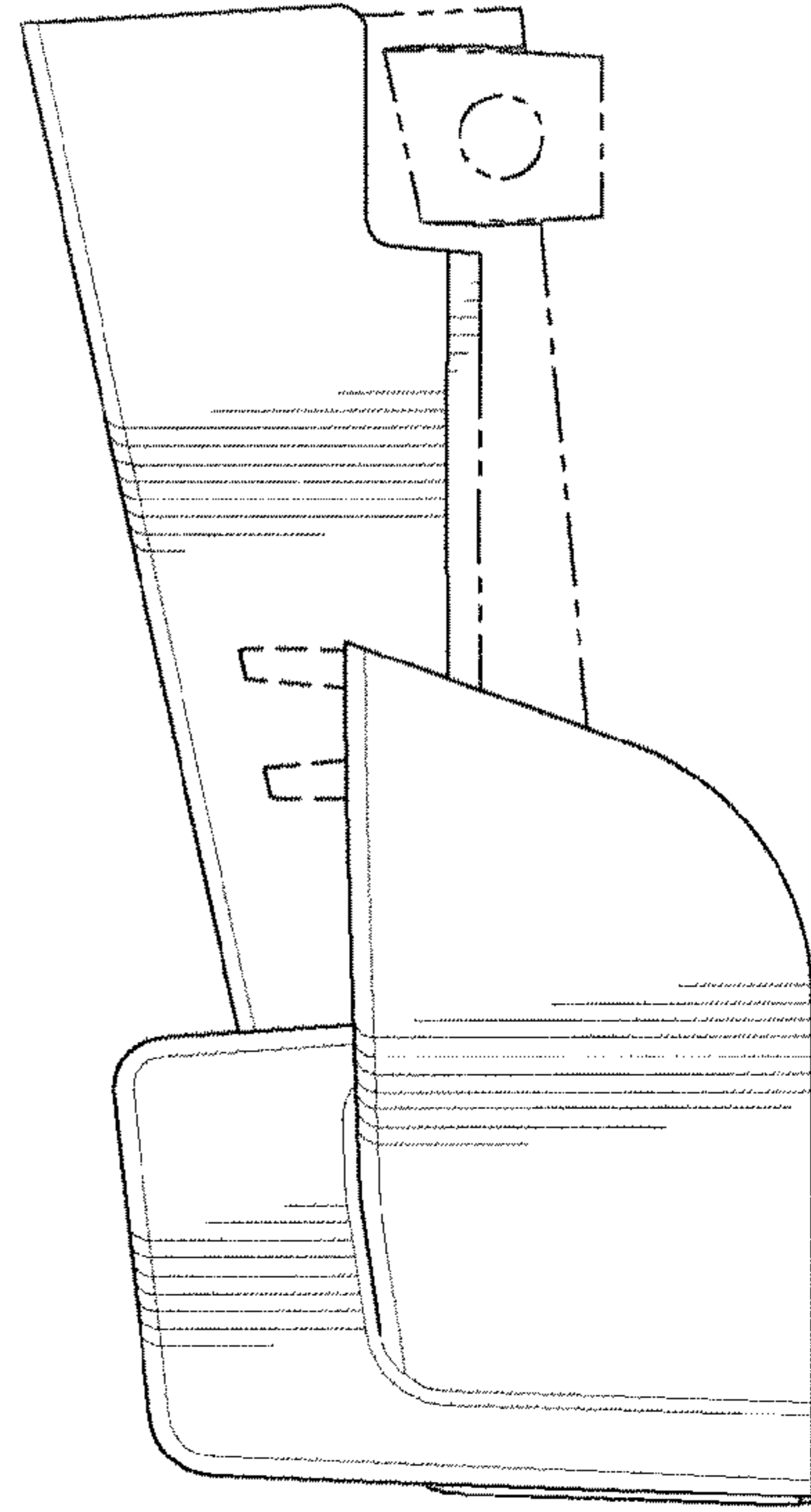


Fig-4