



US00D562743S

(12) **United States Design Patent**
Hanson et al.

(10) **Patent No.:** **US D562,743 S**

(45) **Date of Patent:** **** Feb. 26, 2008**

(54) **FRONT BUMPER**

(75) Inventors: **Donald S. Hanson**, Evans, GA (US);
Michael J. Hebert, Evans, GA (US);
Richard Krall, Augusta, GA (US)

(73) Assignee: **Textron Inc.**, Providence, RI (US)

(**) Term: **14 Years**

(21) Appl. No.: **29/276,920**

(22) Filed: **Feb. 9, 2007**

(51) **LOC (8) Cl.** **12-16**

(52) **U.S. Cl.** **D12/169; D12/173; D15/23**

(58) **Field of Classification Search** D12/163,
D12/171, 90-92, 216, 169, 196; D15/23,
D15/31; 296/193.11; 293/102, 113, 115;
180/68.1, 68.6, 69.1, 69.2, 69.23

See application file for complete search history.

(56) **References Cited**

U.S. PATENT DOCUMENTS

- D427,205 S * 6/2000 Shimizu D15/23
- D445,739 S * 7/2001 Price D12/173
- D498,704 S 11/2004 Bonner et al.
- D502,132 S * 2/2005 Bonner et al. D12/196
- D532,022 S * 11/2006 Kuwae D15/31
- D550,131 S * 9/2007 Onopa D12/173

FOREIGN PATENT DOCUMENTS

WO 04/067360 A1 8/2004

* cited by examiner

Primary Examiner—Melody N. Brown

(74) *Attorney, Agent, or Firm*—Harness, Dickey & Pierce P.L.C.

(57) **CLAIM**

The ornamental design for a front bumper, as shown and described.

DESCRIPTION

FIG. 1 is a front perspective view of a front bumper, showing our new design;

FIG. 2 is a front elevation view thereof;

FIG. 3 is a top view thereof;

FIG. 4 is a right side view thereof (the left side view is a mirror image of the right side view);

FIG. 5 is a front perspective view of a front bumper, according to a second embodiment;

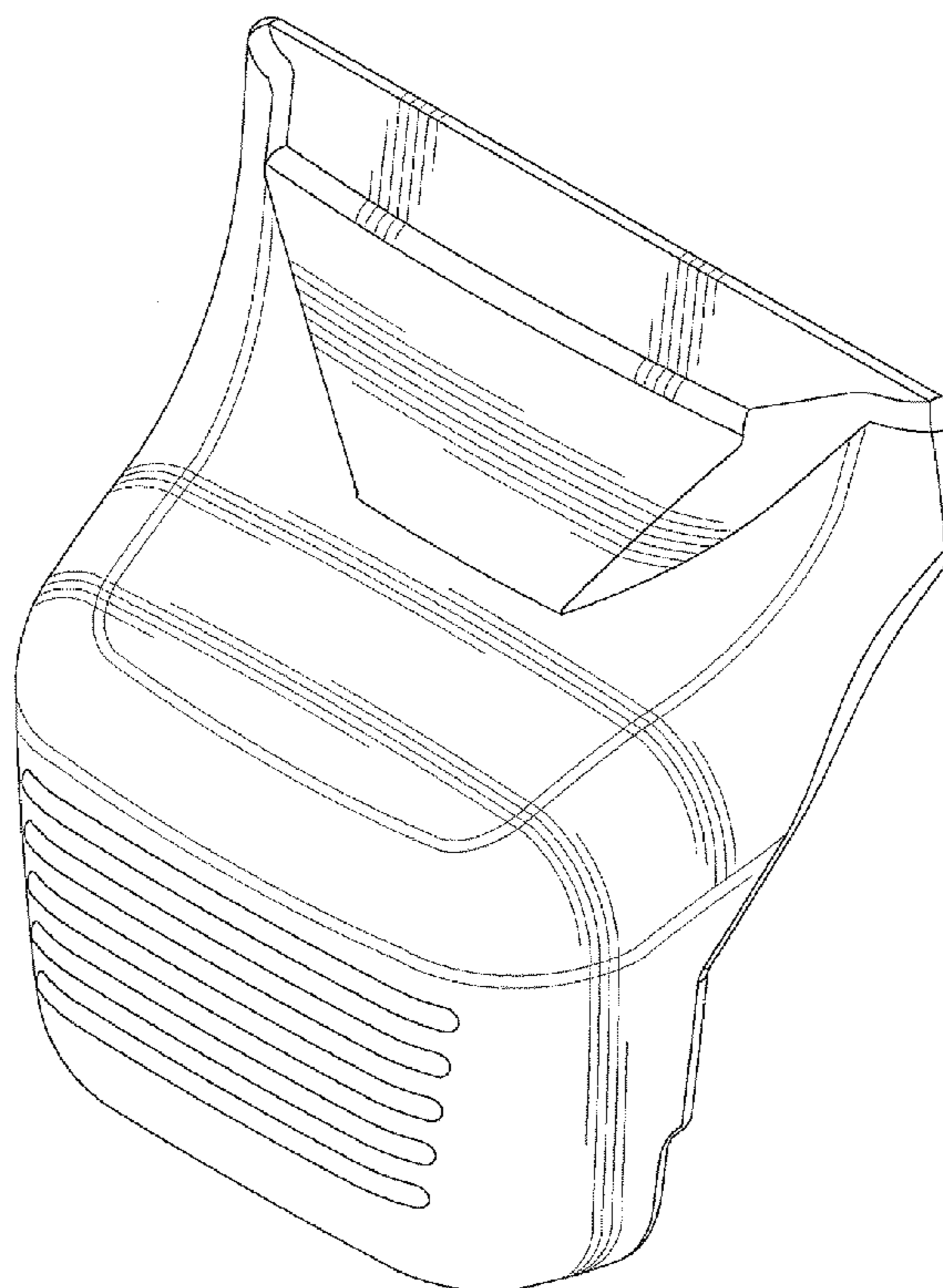
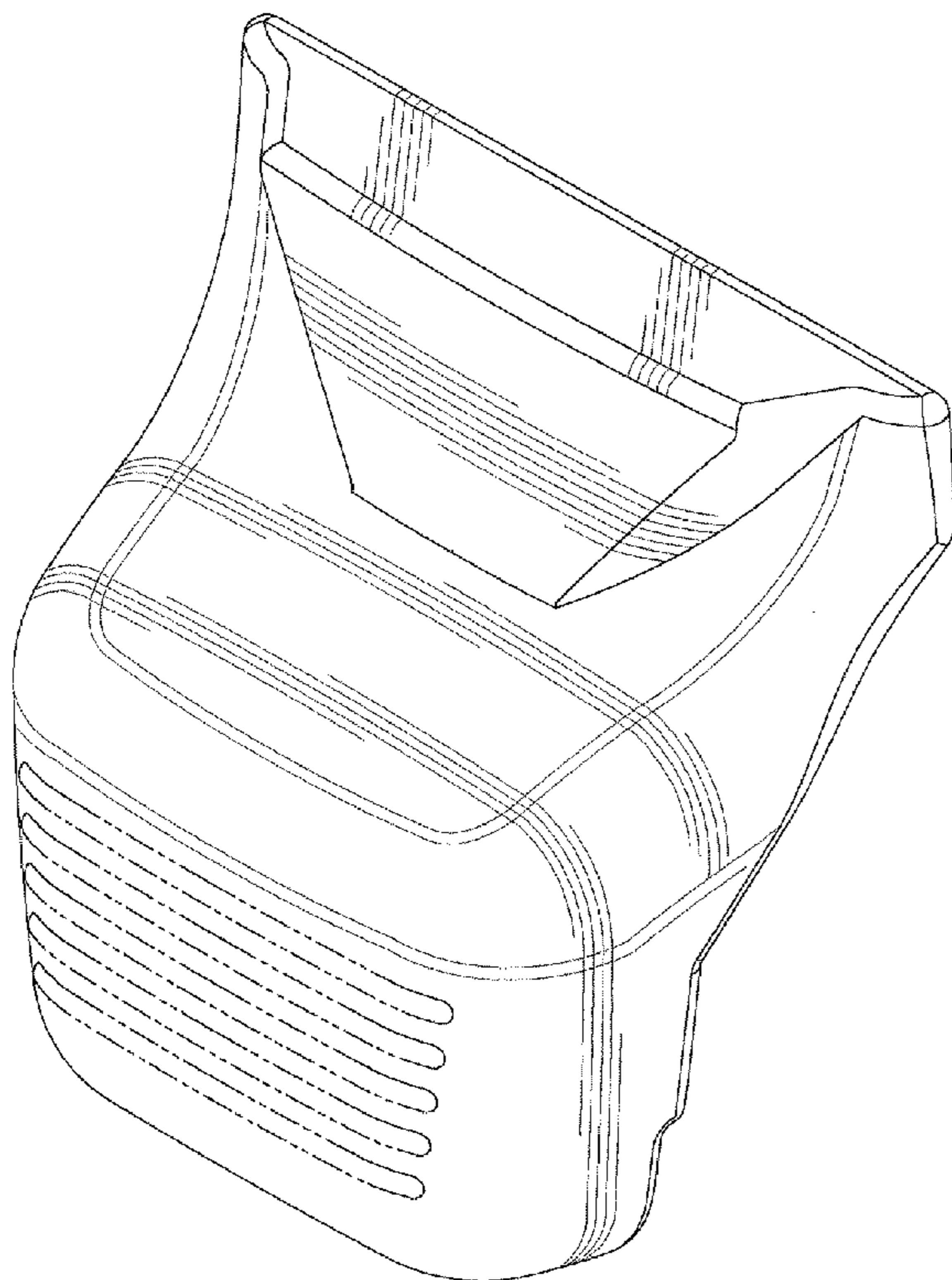
FIG. 6 is a front elevation view of FIG. 5;

FIG. 7 is a top view of FIG. 5; and,

FIG. 8 is a right side view of FIG. 5 (the left side view is a mirror image of the right side view).

The bottom and back views are non-ornamental. The lines shown broken are for illustrative purposes only and do not form part of the invention.

1 Claim, 8 Drawing Sheets



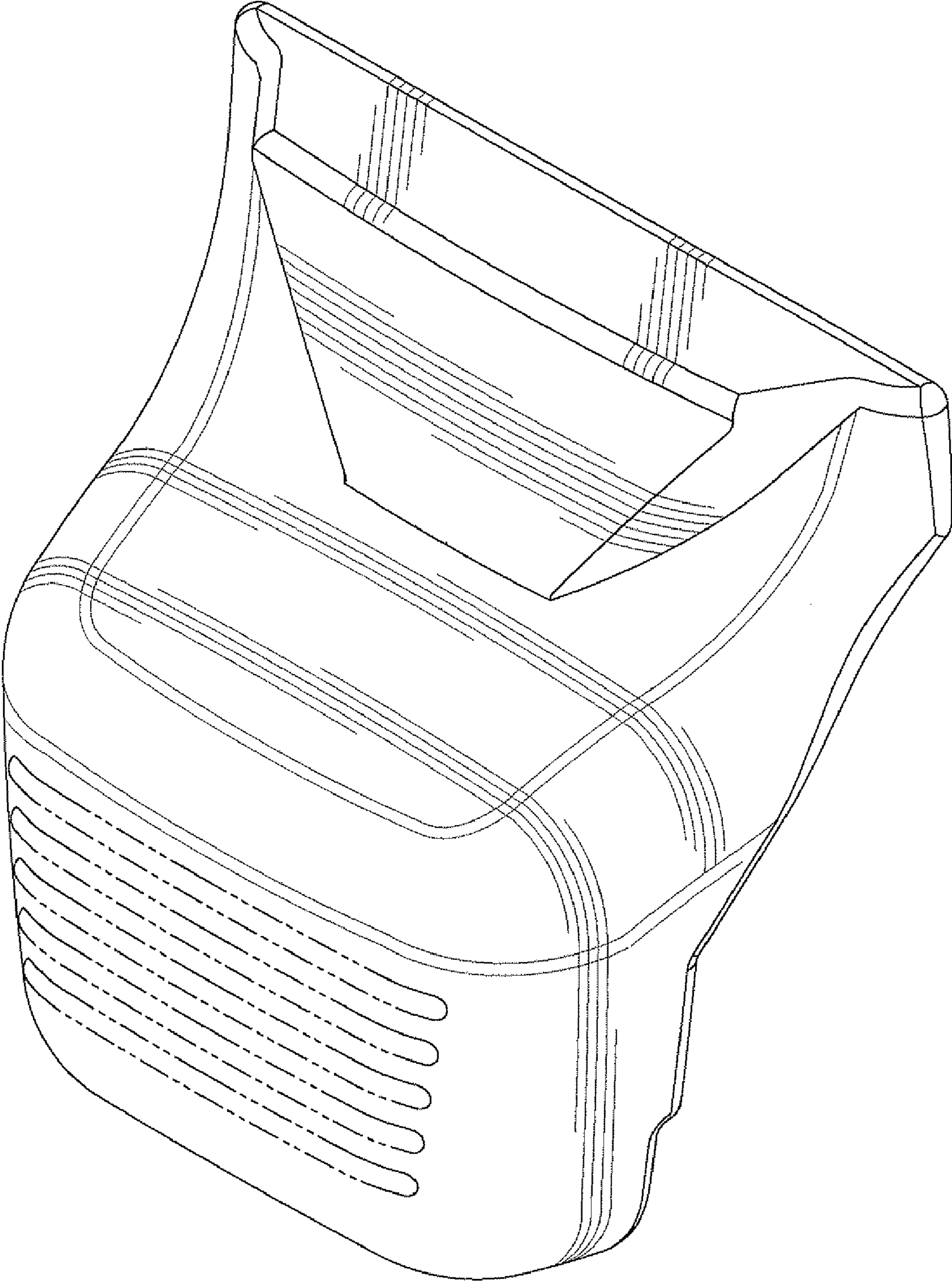


Fig-1

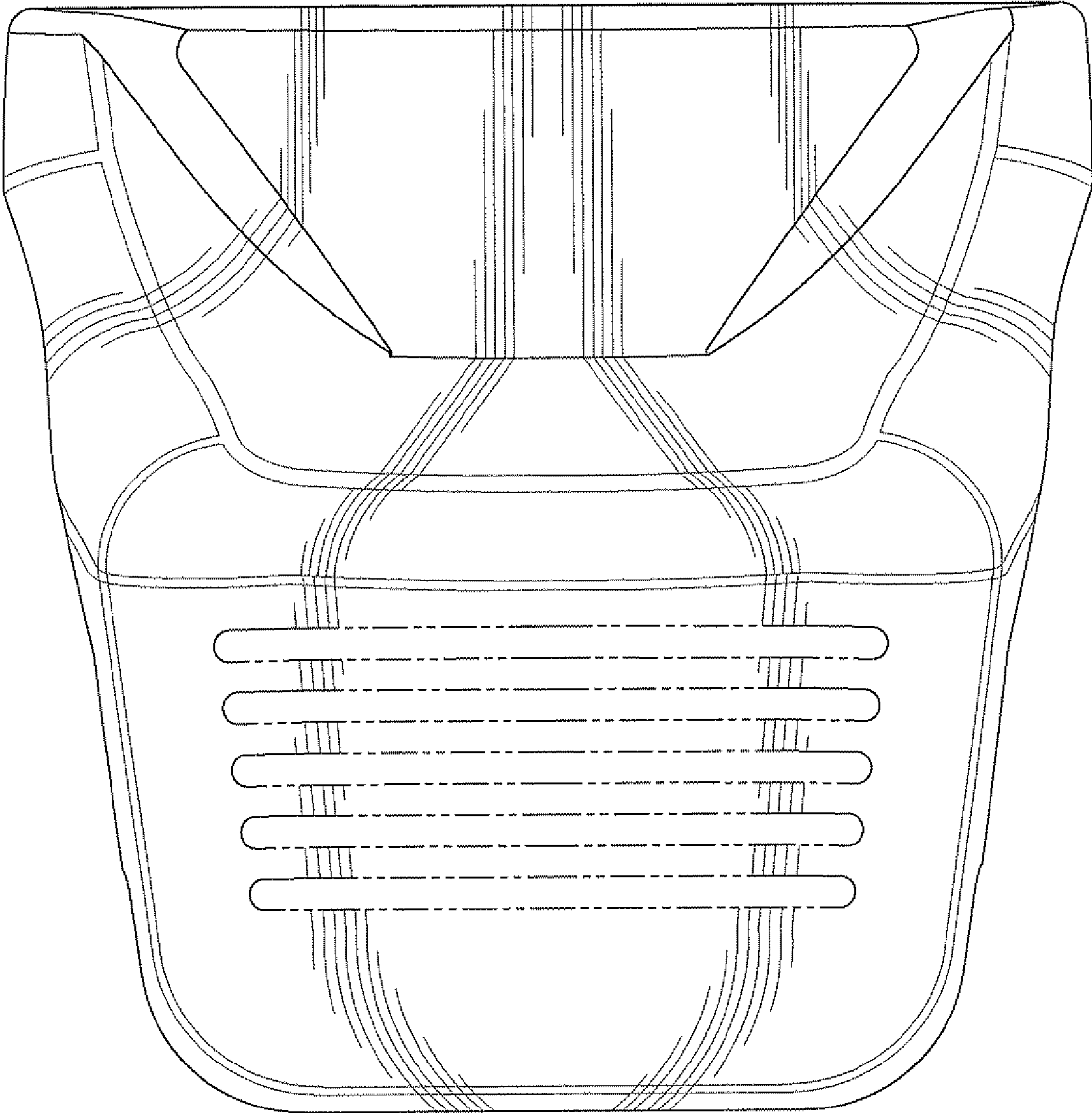


Fig-2

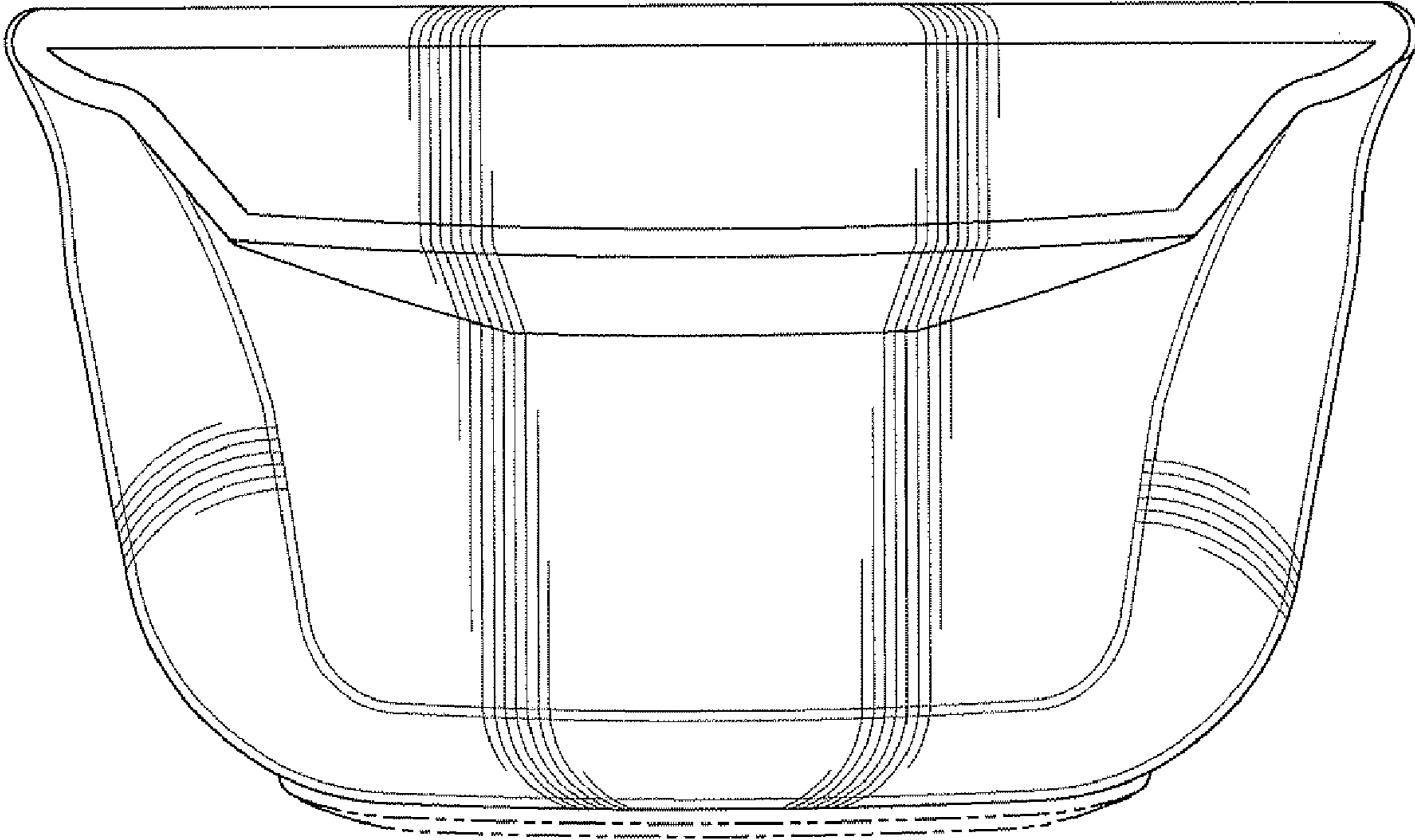


Fig-3

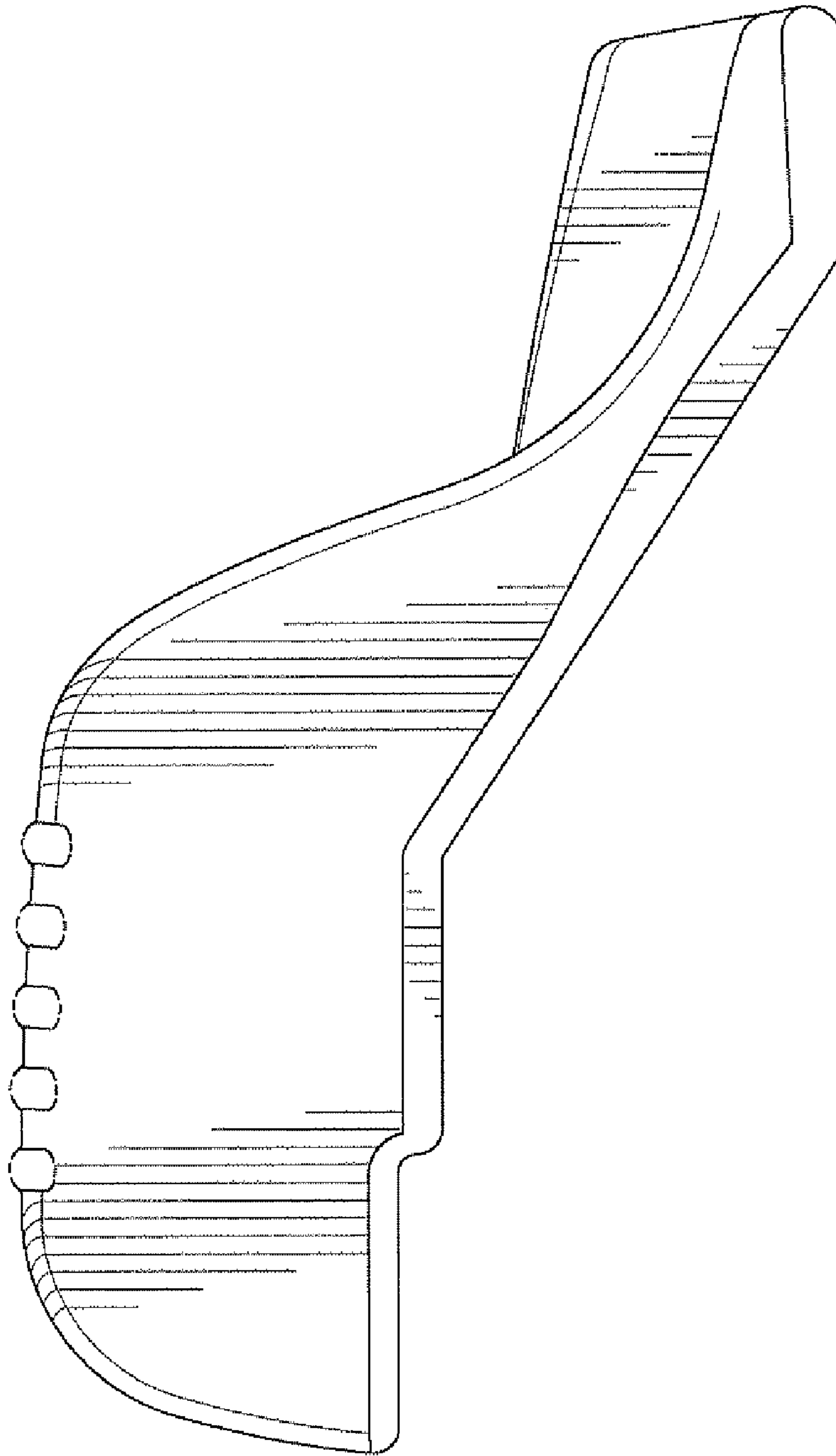


Fig-4

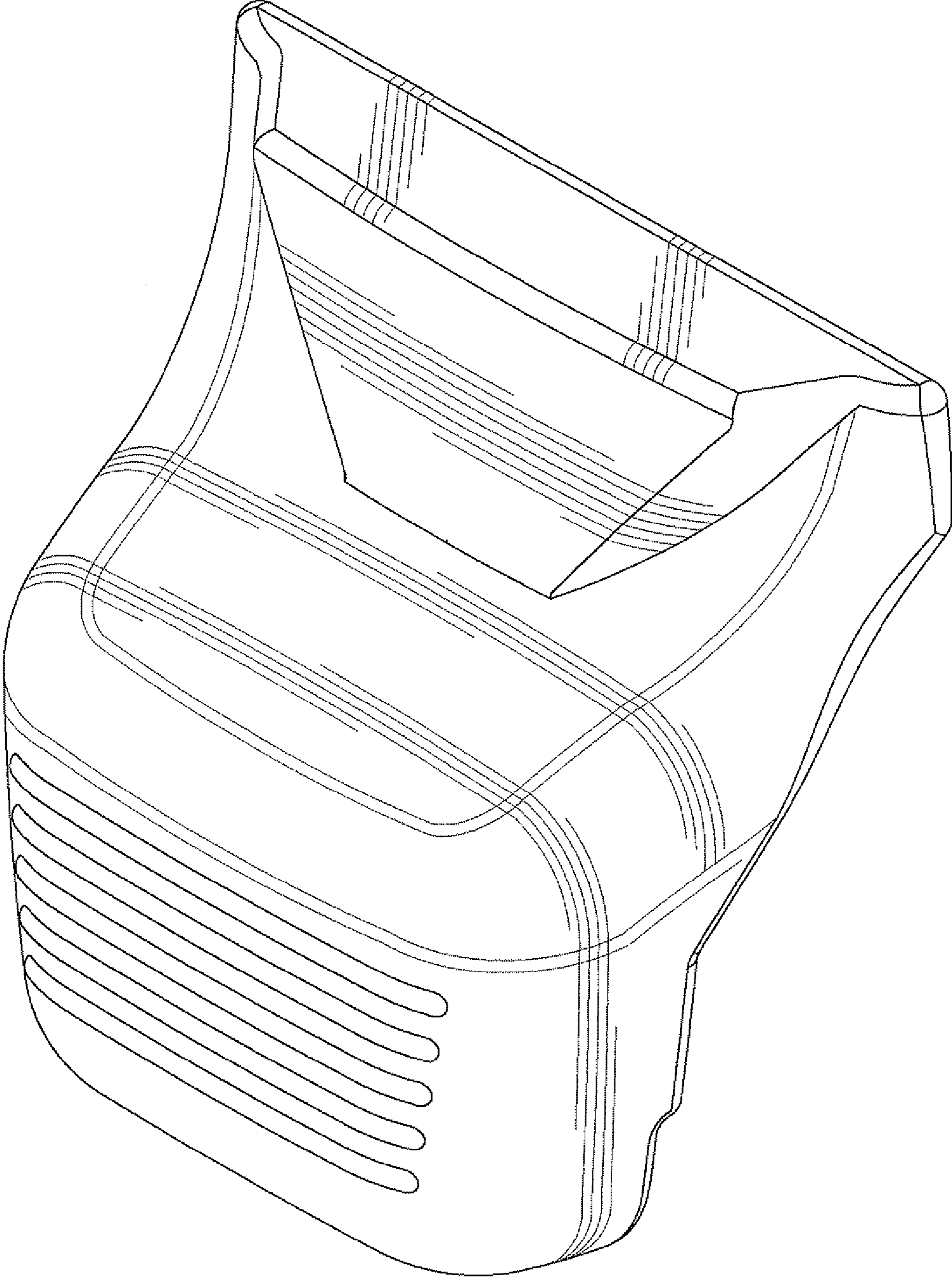


Fig-5

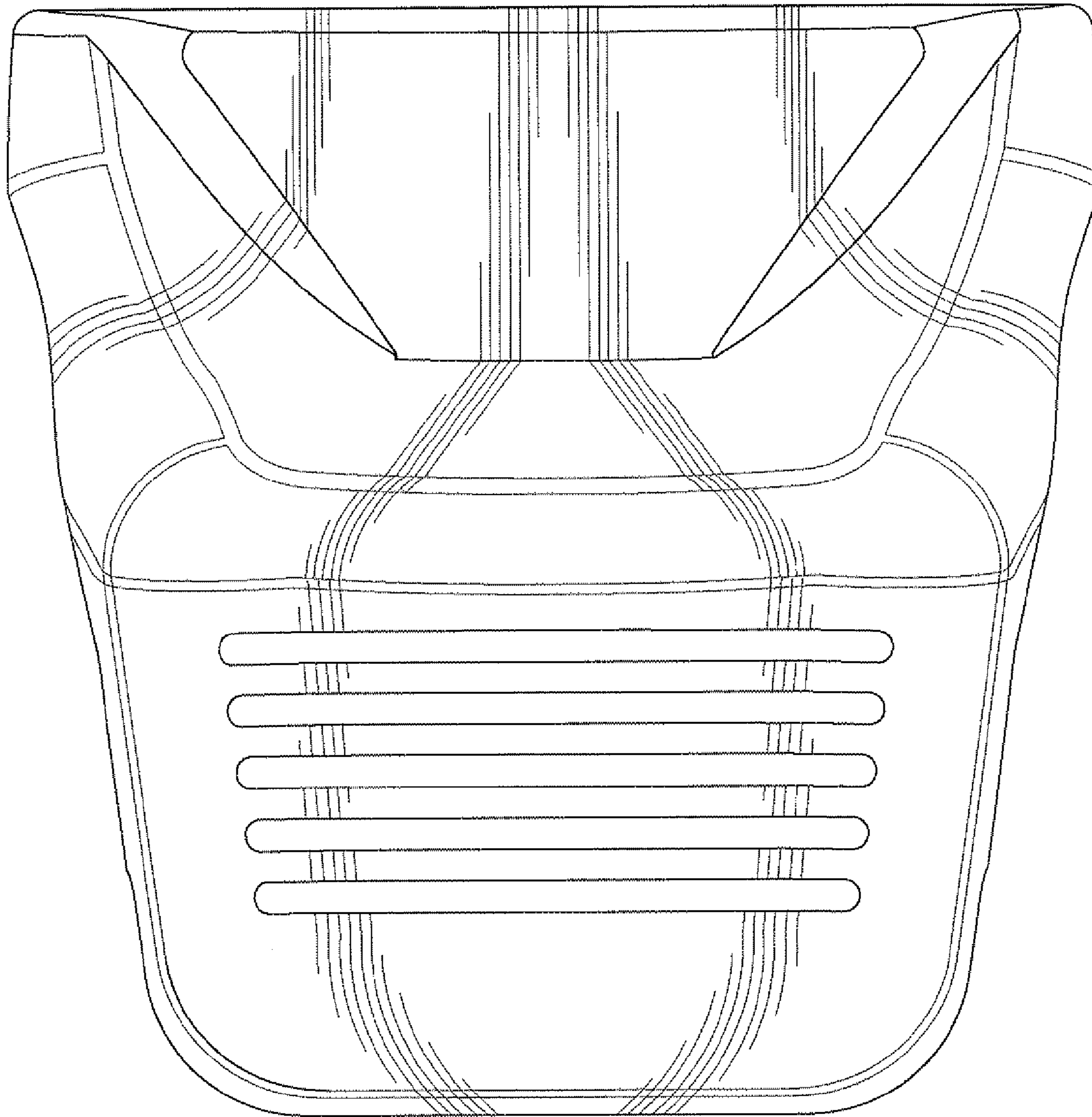


Fig-6

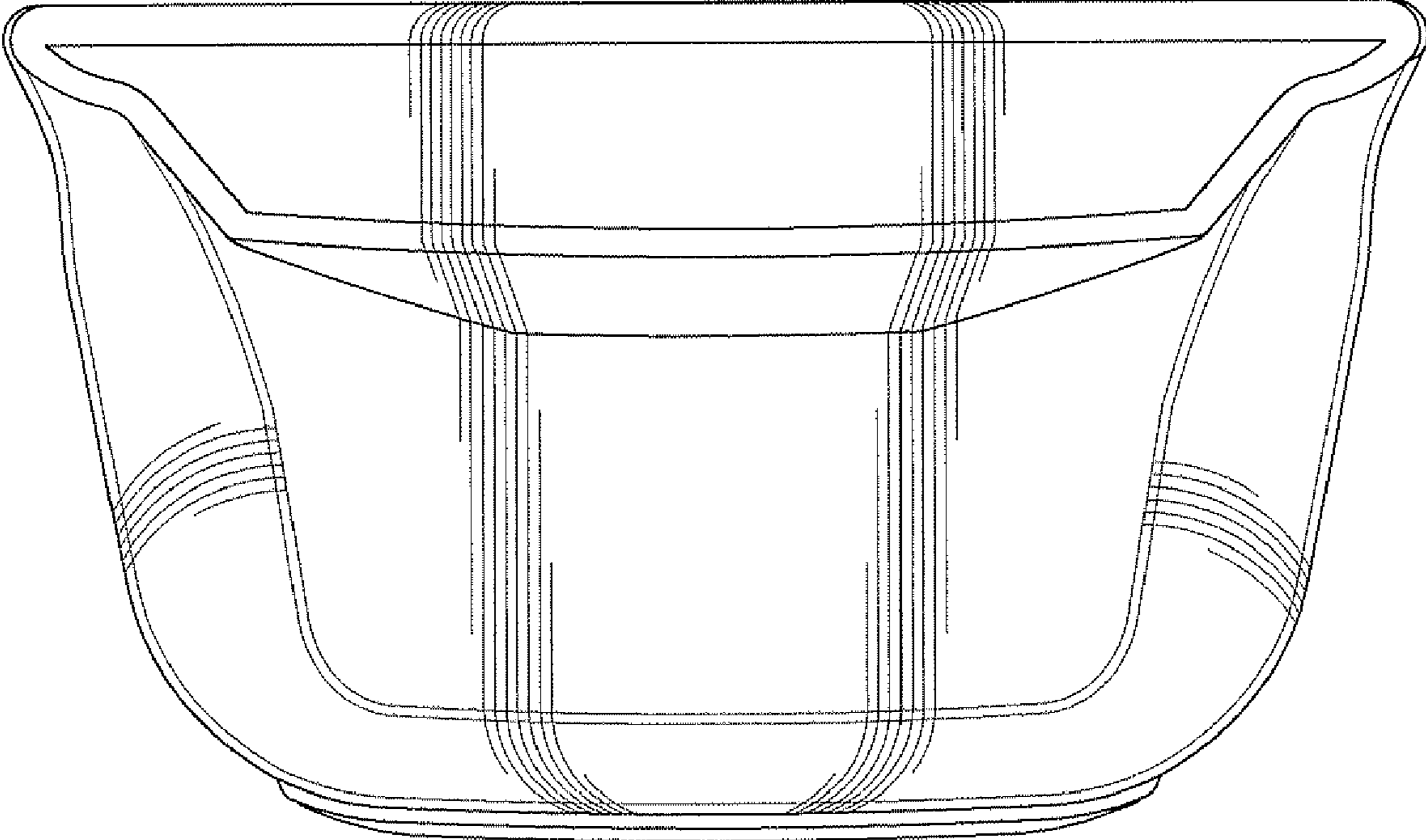


Fig-7

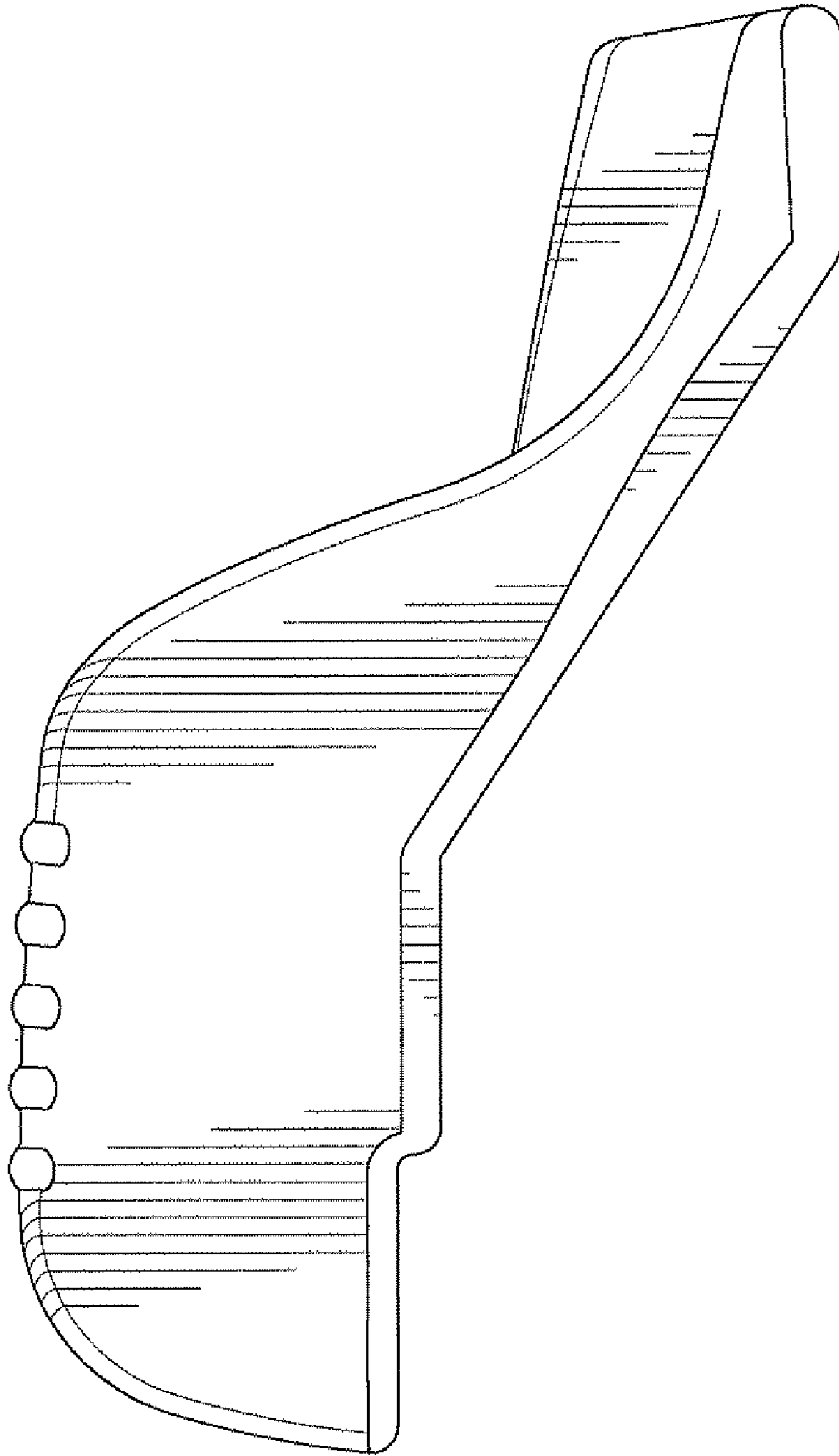


Fig-8