

US00D562740S

(12) **United States Design Patent**
Ogawa et al.

(10) **Patent No.:** **US D562,740 S**
(45) **Date of Patent:** **** Feb. 26, 2008**

(54) **FRONT GRILLE FOR AN AUTOMOBILE**

D541,707 S * 5/2007 Komuro D12/163

(75) Inventors: **Minoru Ogawa**, Aichi-ken (JP); **Takeo Sowa**, Aichi-ken (JP); **Kazumi Kowaki**, Nisshin (JP)

(73) Assignee: **Toyota Jidosha Kabushiki Kaisha** (JP)

(**) Term: **14 Years**

(21) Appl. No.: **29/285,343**

(22) Filed: **Mar. 27, 2007**

(51) **LOC (8) Cl.** **12-16**

(52) **U.S. Cl.** **D12/163**

(58) **Field of Classification Search** D12/163,
D12/171, 90-92, 216, 169, 196; 180/68.1,
180/68.6; 296/193.11; 293/102, 113, 115
See application file for complete search history.

(56) **References Cited**

U.S. PATENT DOCUMENTS

D525,571 S *	7/2006	Kouzai	D12/163
D535,221 S *	1/2007	Lau et al.	D12/163
D535,224 S *	1/2007	Kubota et al.	D12/163
D535,591 S *	1/2007	Schiavone	D12/163
D536,284 S *	2/2007	Nakamura et al.	D12/163
D539,707 S *	4/2007	Golden et al.	D12/163

OTHER PUBLICATIONS

Toyota, Land Cruiser 100, Brochure for Toyota Land Cruiser 100, 2004, Toyota Jidosha Kabushiki Kaisha.

Toyota, Crown Royal, Brochure for Crown Royal, 2004, Toyota Jidosha Kabushiki Kaisha.

* cited by examiner

Primary Examiner—Melody N. Brown

(74) *Attorney, Agent, or Firm*—SAIDMAN DesignLaw Group

(57) **CLAIM**

The ornamental design for a front grille for an automobile, as shown and described.

DESCRIPTION

FIG. 1 is a front perspective view of a front grille for an automobile showing our new design;

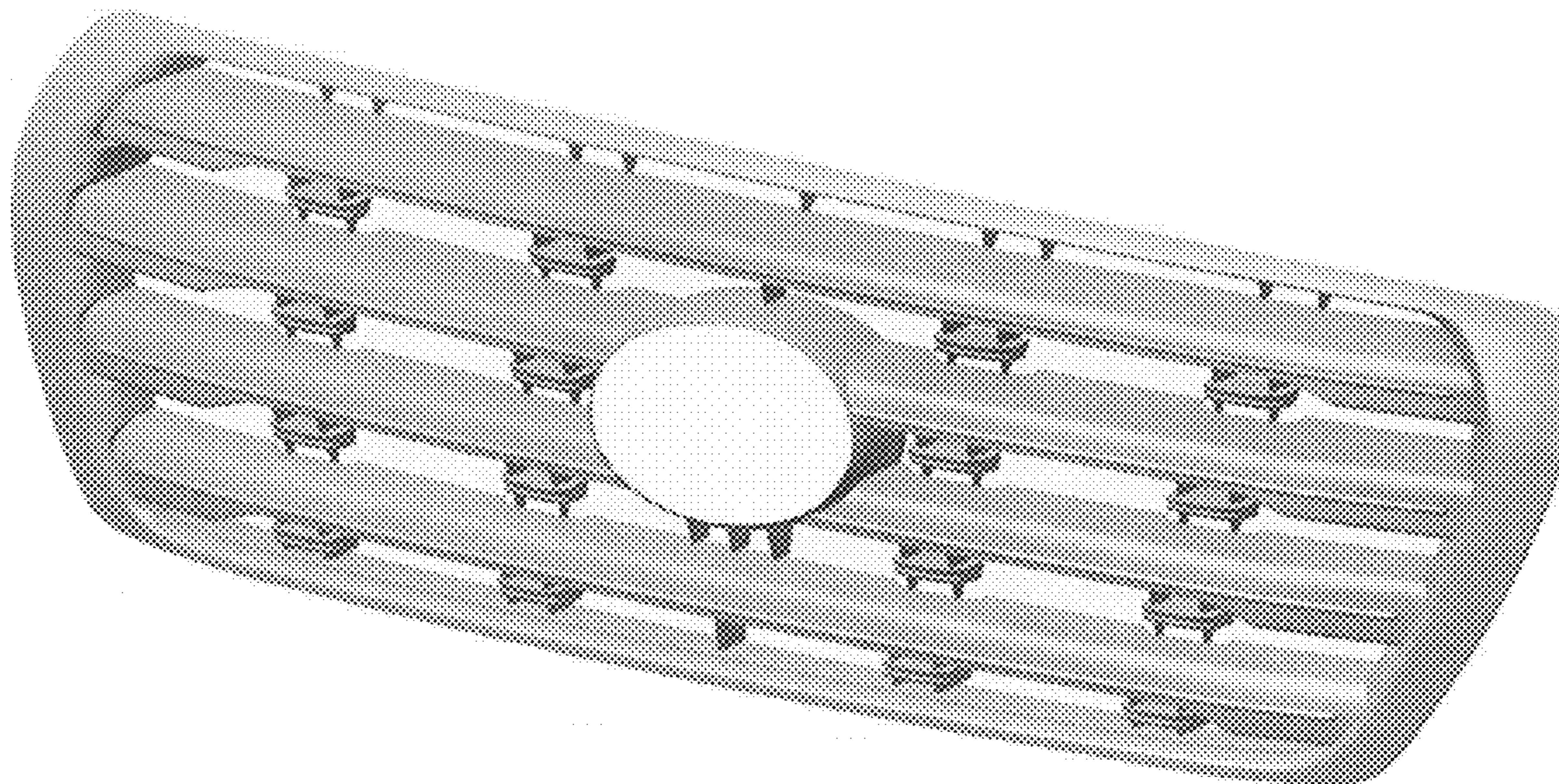
FIG. 2 is a front elevational view thereof;

FIG. 3 is a top view thereof;

FIG. 4 is a right-side elevational view thereof; and,

FIG. 5 is a left-side elevational view thereof.

1 Claim, 1 Drawing Sheet



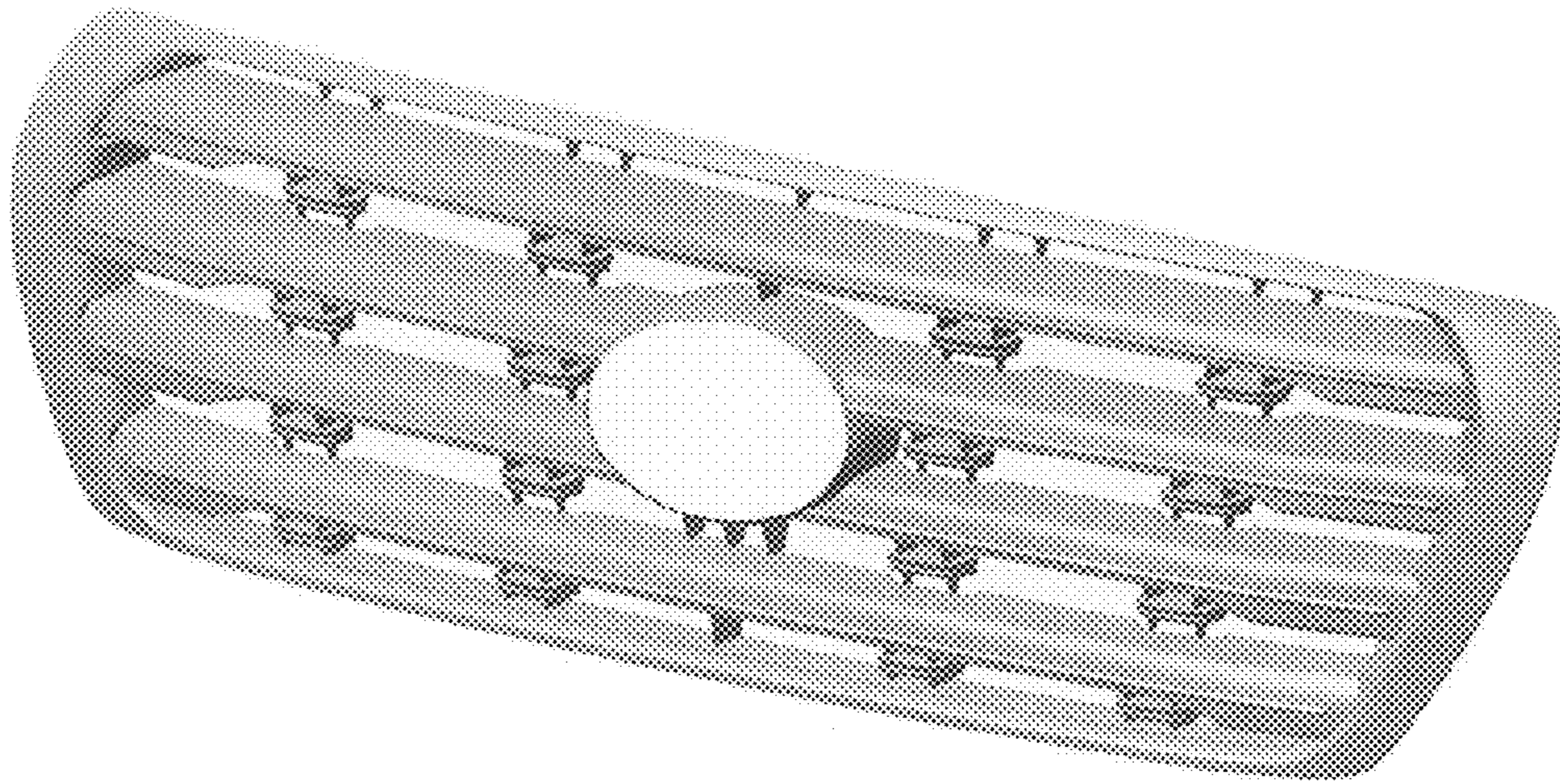


FIG. 1

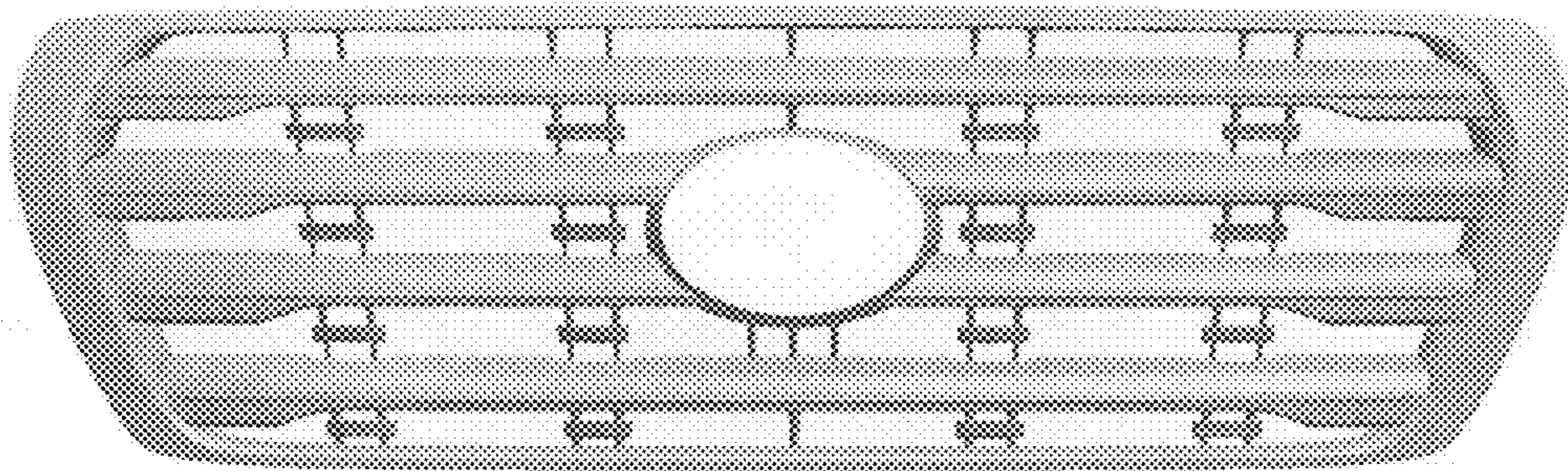


FIG. 2

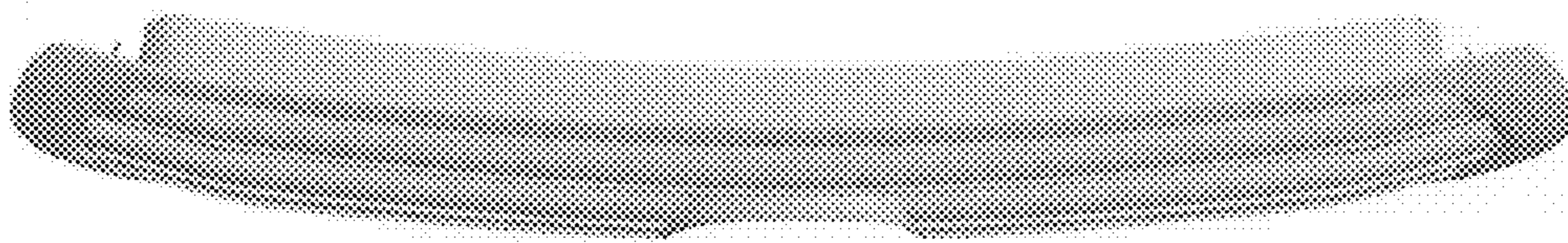


FIG. 3

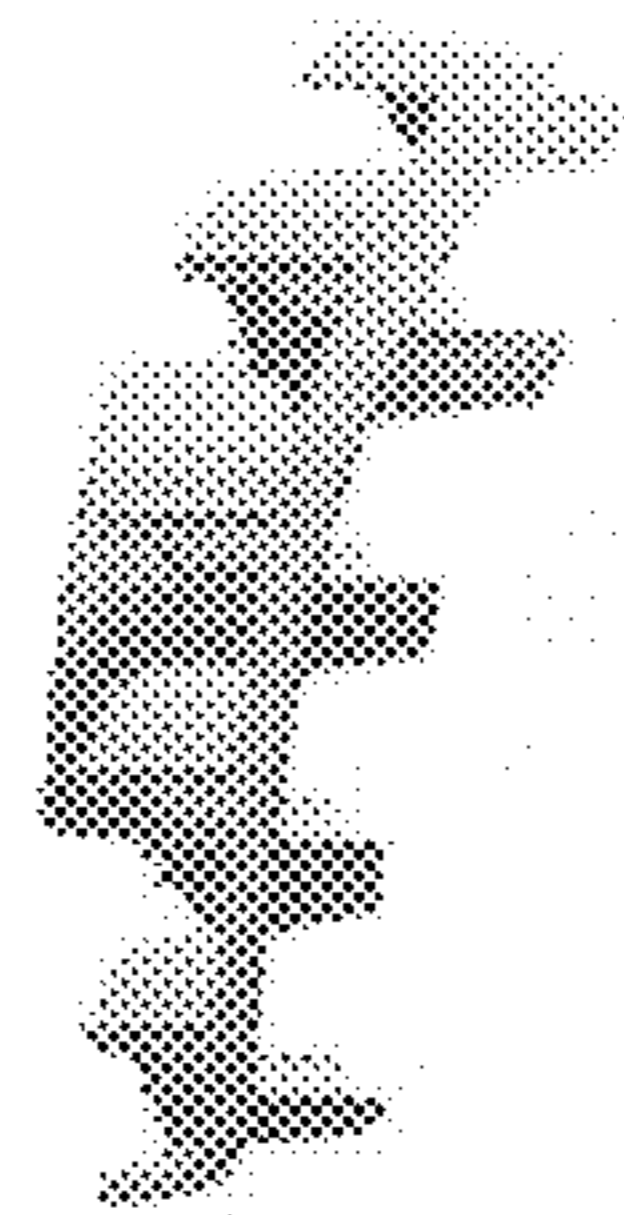


FIG. 4



FIG. 5