



US00D562737S

(12) **United States Design Patent**
Fujita

(10) **Patent No.:** **US D562,737 S**

(45) **Date of Patent:** **** Feb. 26, 2008**

(54) **DUST SEAL CAP OF FRONT FORK FOR TWO-WHEELED VEHICLE**

(75) Inventor: **Nobuaki Fujita**, Shizuoka (JP)

(73) Assignee: **Showa Corporation**, Minatoku, Tokyo (JP)

(**) Term: **14 Years**

(21) Appl. No.: **29/212,053**

(22) Filed: **Aug. 25, 2004**

(30) **Foreign Application Priority Data**

Apr. 16, 2004 (JP) 2004-011741

(51) **LOC (8) Cl.** **12-11**

(52) **U.S. Cl.** **D12/118**

(58) **Field of Classification Search** D12/110,
D12/114, 118; 280/276, 279, 280, 288.4,
280/304.3, 274, 275, 277; 180/219

See application file for complete search history.

(56) **References Cited**

U.S. PATENT DOCUMENTS

5,715,903 A * 2/1998 Summers et al. 180/219

D522,853 S * 6/2006 Shirakawa D8/397

FOREIGN PATENT DOCUMENTS

JP 49-9040 2/1974

OTHER PUBLICATIONS

Harley-Davidson ® 1999 Genuine Motor Accessories™ and Genuine Motor Parts™ catalog, fork dust seals on p. 434.*

* cited by examiner

Primary Examiner—Cathron Brooks

Assistant Examiner—Linda Brooks

(74) *Attorney, Agent, or Firm*—Orum & Roth, LLC

(57) **CLAIM**

We claim the ornamental design for a dust seal cap of front fork for two-wheeled vehicle, as shown and described.

DESCRIPTION

FIG. 1 is a front view;

FIG. 2 is a plan view;

FIG. 3 is a bottom view;

FIG. 4 is a perspective view;

FIG. 5 is a sectional view taken along line 5—5 in FIG. 2; and,

FIG. 6 is a perspective view showing the design on a reduced scale and in position of use on a front fork, which is shown in broken lines for illustrative purposes only and forms no part of the claimed design.

1 Claim, 4 Drawing Sheets

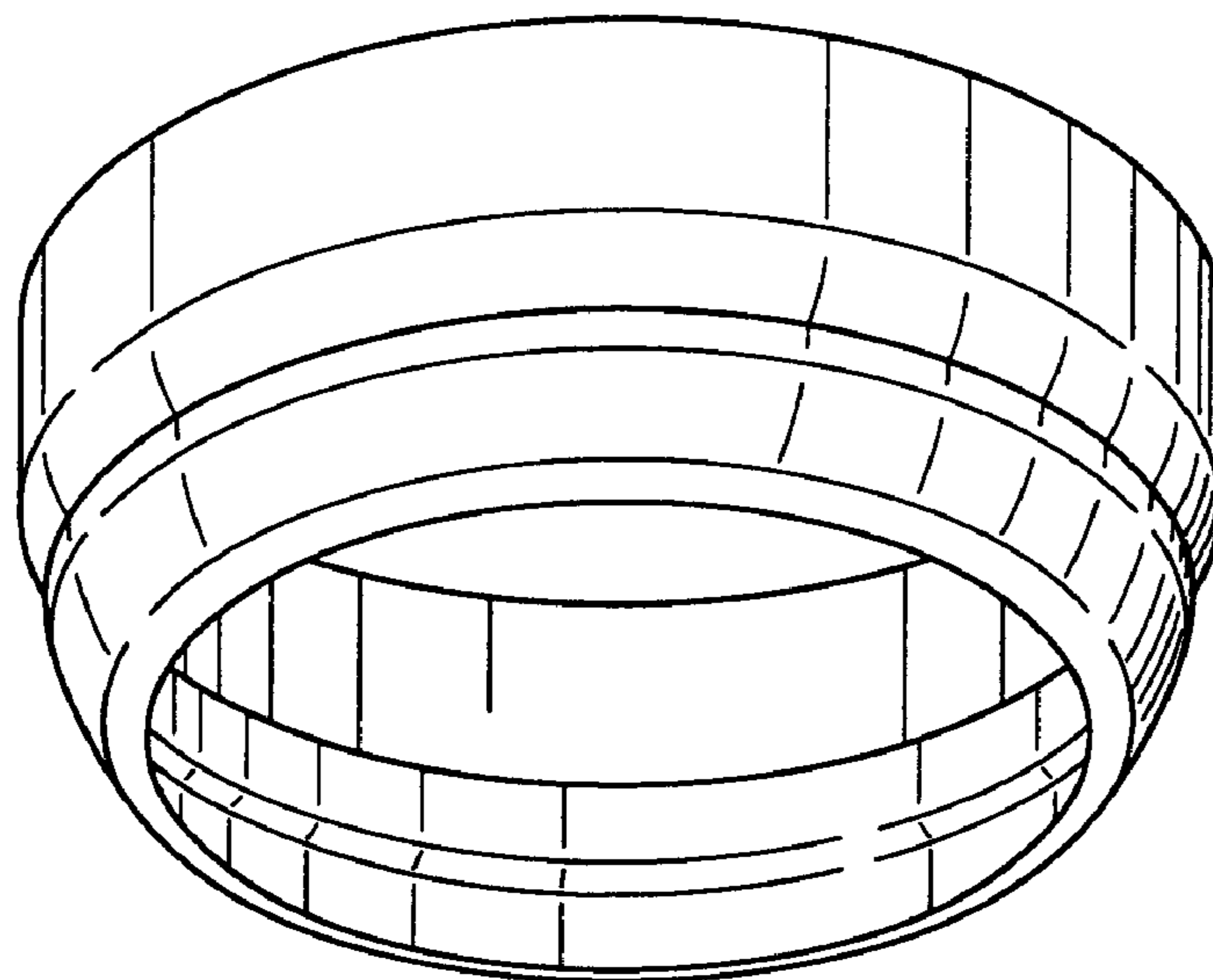


FIG.1

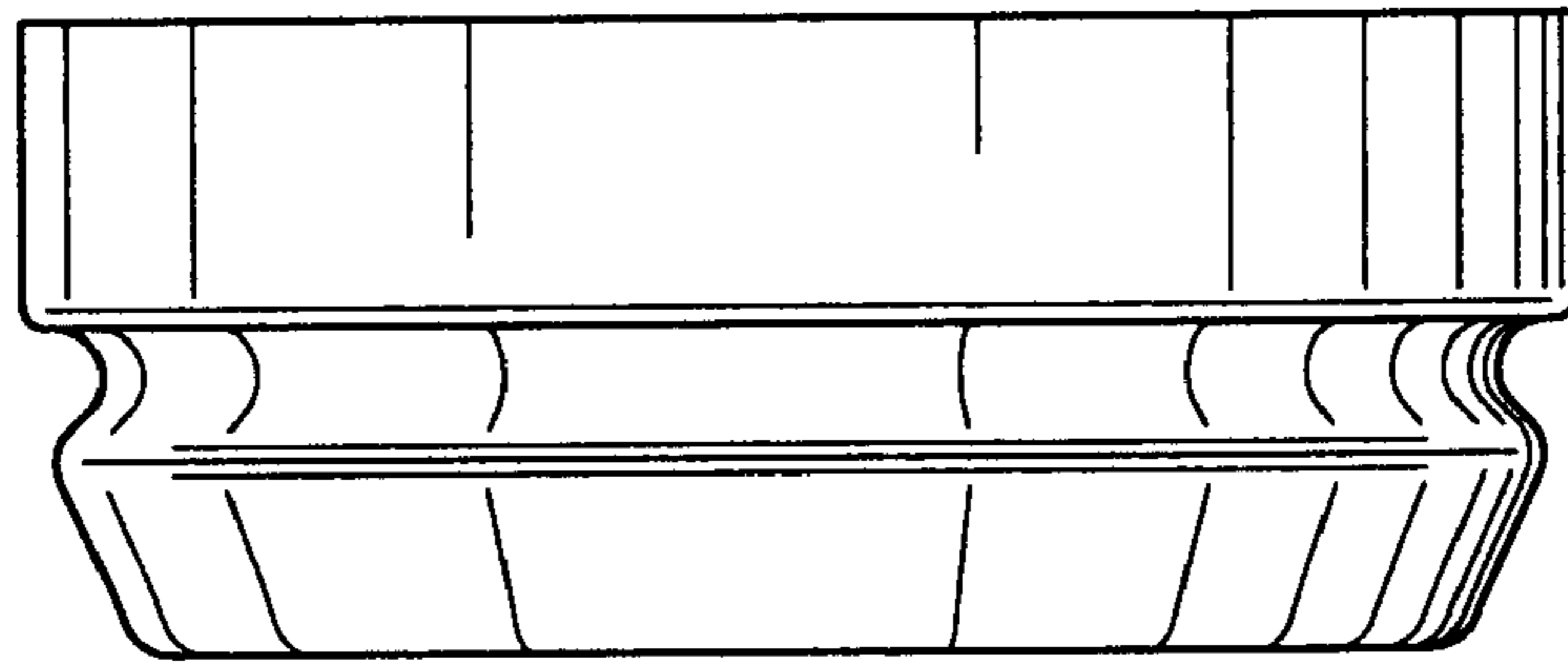


FIG.2

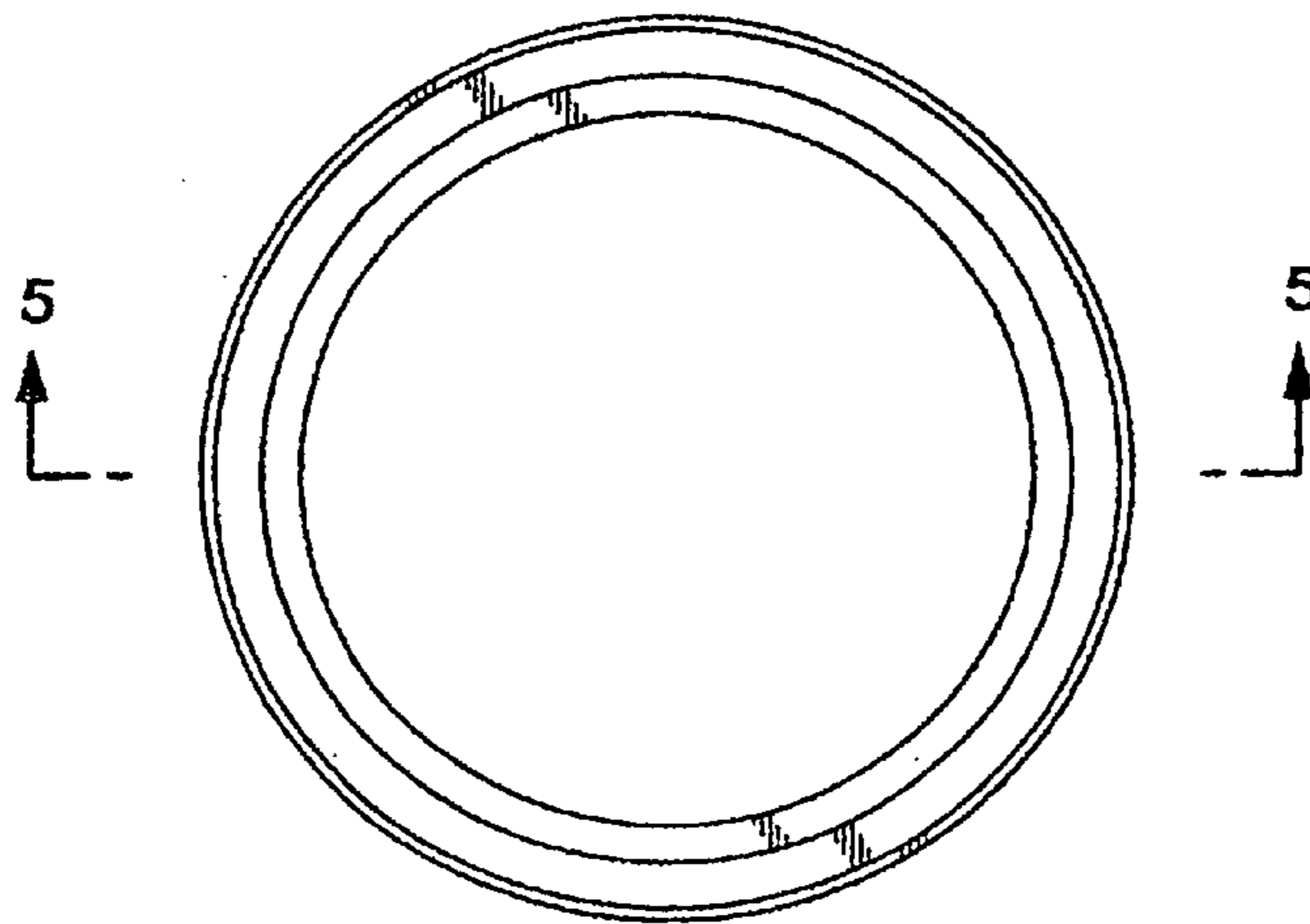


FIG.3

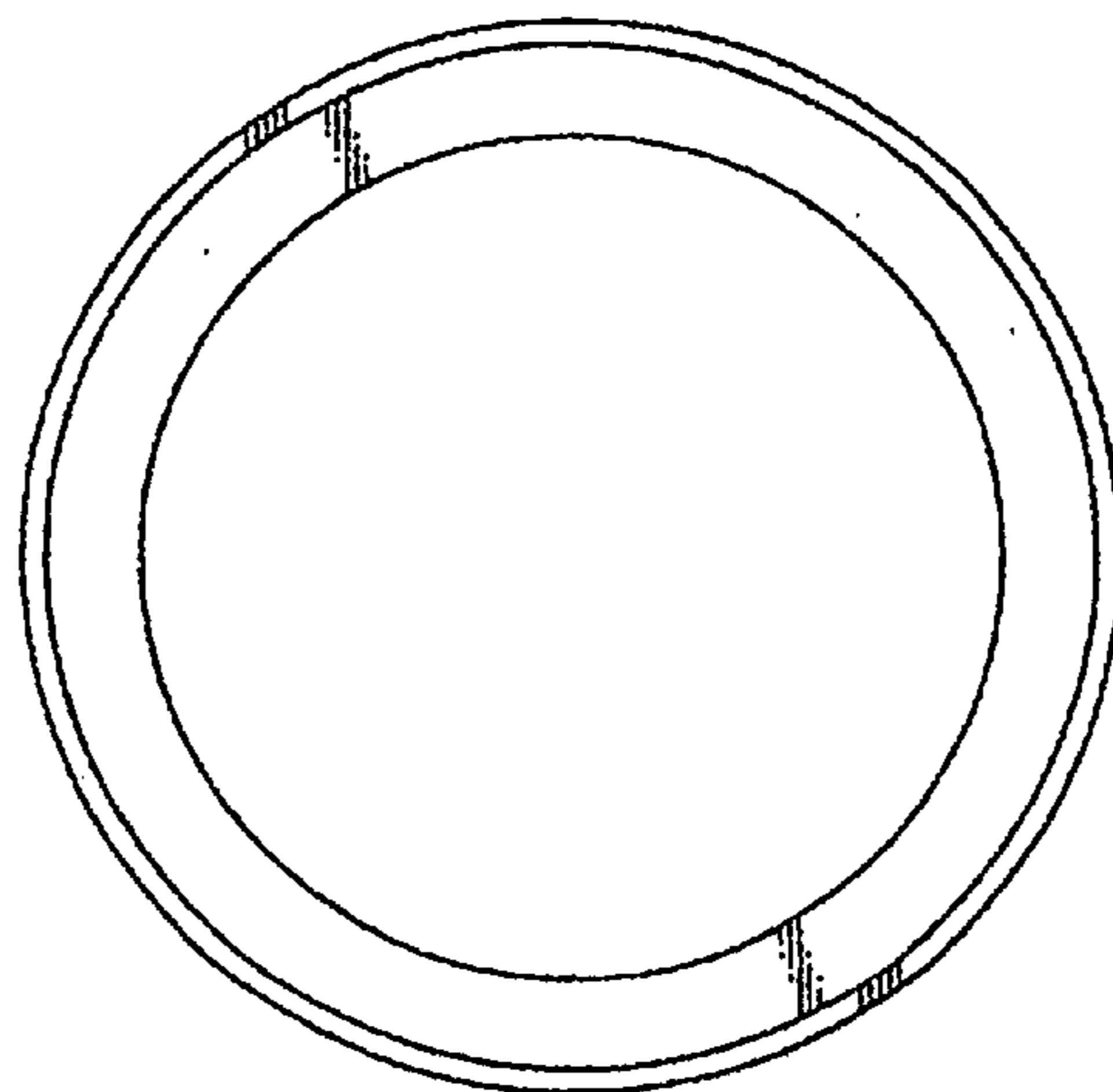


FIG.4

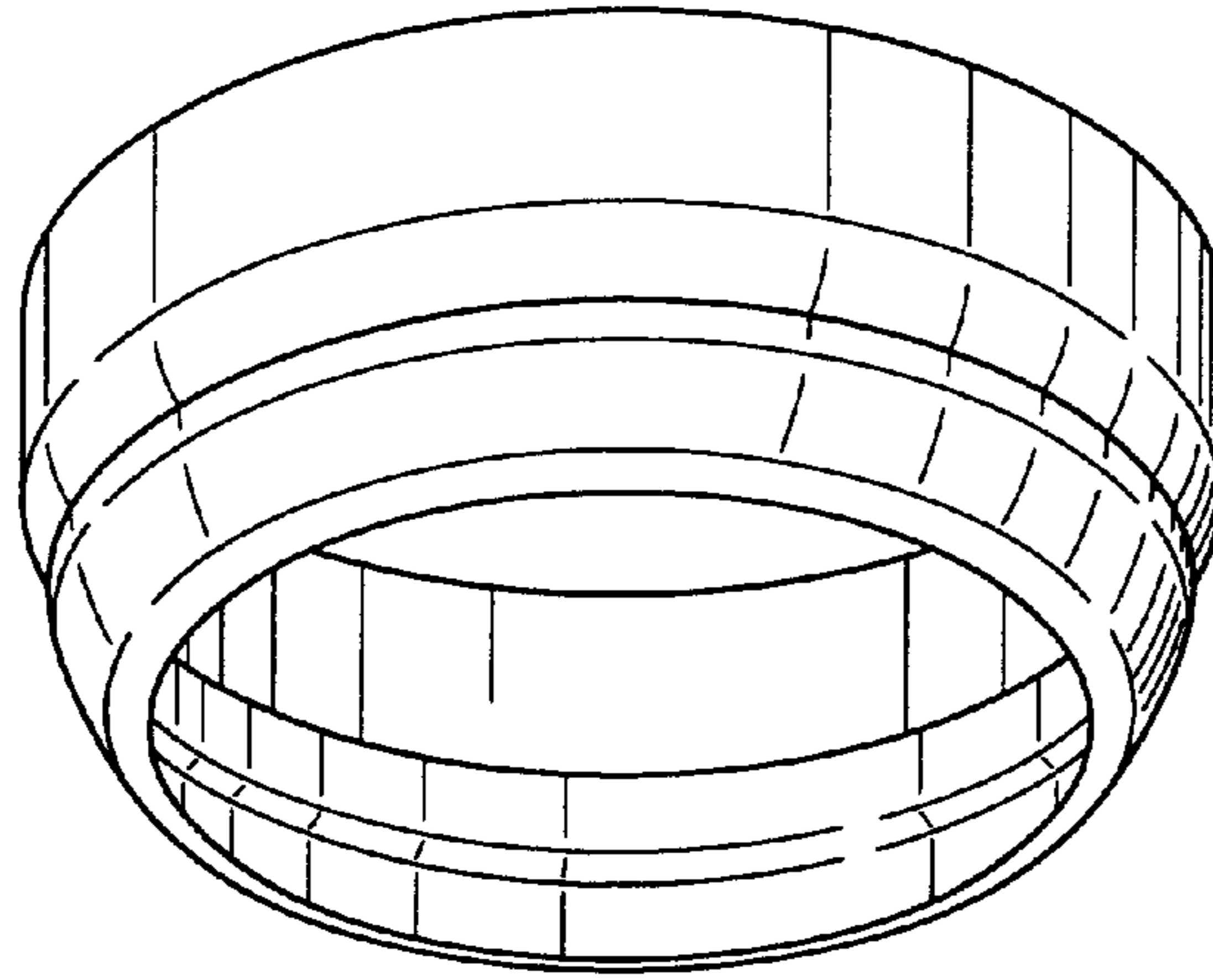


FIG.5

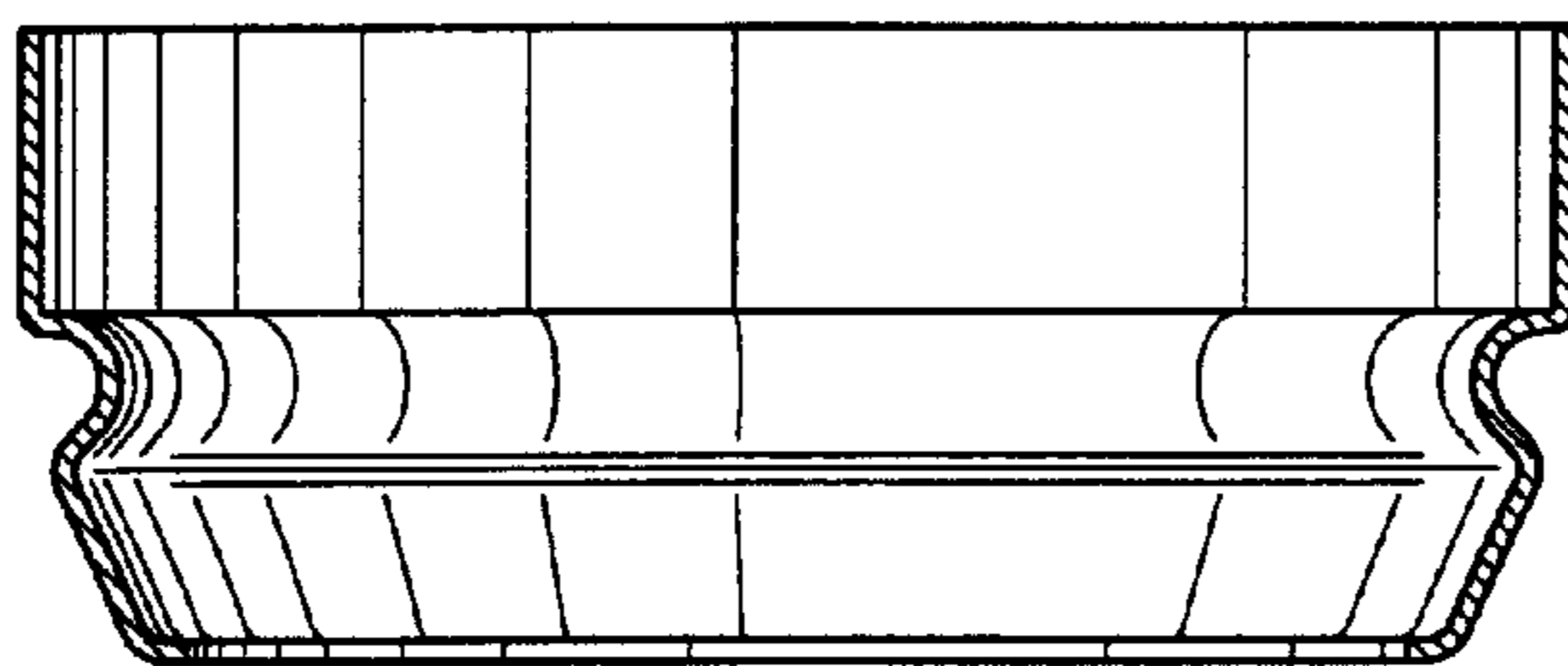


FIG. 6

