



US00D562732S

(12) **United States Design Patent**  
**Takeda et al.**

(10) **Patent No.:** **US D562,732 S**

(45) **Date of Patent:** **\*\* Feb. 26, 2008**

(54) **SEAT**

(75) Inventors: **Mitsumasa Takeda**, Kariya (JP); **Seigo Shimizu**, Kariya (JP)

(73) Assignee: **Kabushiki Kaisha Toyota Jidoshokki**, Kariya-shi (JP)

(\*\*) Term: **14 Years**

(21) Appl. No.: **29/276,777**

(22) Filed: **Feb. 5, 2007**

D271,876 S *	12/1983	Browning	.....	D15/23
D279,660 S	7/1985	Martin, Jr.		
D282,153 S	1/1986	Wallace et al.		
4,716,980 A *	1/1988	Butler	.....	180/19.2
D310,342 S	9/1990	Formoso		
D311,505 S *	10/1990	Reinhart	.....	D12/14
5,645,315 A *	7/1997	Walker et al.	.....	297/202
D463,326 S	9/2002	Takeda		
D482,882 S *	12/2003	Murphy	.....	D6/356
D483,191 S *	12/2003	Murphy	.....	D6/356
D502,610 S *	3/2005	Murphy	.....	D6/356
D503,656 S *	4/2005	Fukatsu et al.	.....	D12/1
D516,824 S *	3/2006	Murphy	.....	D6/356

\* cited by examiner

**Related U.S. Application Data**

(62) Division of application No. 29/201,609, filed on Mar. 17, 2004, now Pat. No. Des. 539,701.

*Primary Examiner*—Cathron Brooks

*Assistant Examiner*—Michael A. Pratt

(74) *Attorney, Agent, or Firm*—Morgan & Finnegan, L.L.P.

(30) **Foreign Application Priority Data**

Sep. 22, 2003	(JP)	.....	2003-027733
Sep. 22, 2003	(JP)	.....	2003-027734
Sep. 22, 2003	(JP)	.....	2003-027735

(57) **CLAIM**

The ornamental design for a seat, as shown and described.

(51) **LOC (8) Cl.** ..... **12-14**

(52) **U.S. Cl.** ..... **D12/8; D12/14; D6/356**

(58) **Field of Classification Search** ..... D12/1, D12/12, 13, 15, 4, 8, 16, 41, 44-46, 85, 93, D12/95, 96, 99, 125, 174, 179, 180; D15/10, D15/28, 33; 280/87.01, 266, 235, 47.25; 180/216, 19.2, 65.1, 211, 215; 297/125, 297/452.3; 74/560-563; D8/300, 308  
See application file for complete search history.

**DESCRIPTION**

FIG. 1 is a perspective view of a seat of the present invention;

FIG. 2 is a front view thereof;

FIG. 3 is a rear view thereof;

FIG. 4; is a top plan view thereof;

FIG. 5 is a right side elevational view thereof;

FIG. 6 is a left side elevational view thereof;

FIG. 7 is a front view of a seat of a tractor of the present invention:

FIG. 8 is a rear view of a seat of a tractor of the present invention: and,

FIG. 9 is a left side elevational view of a seat of a tractor of the present invention.

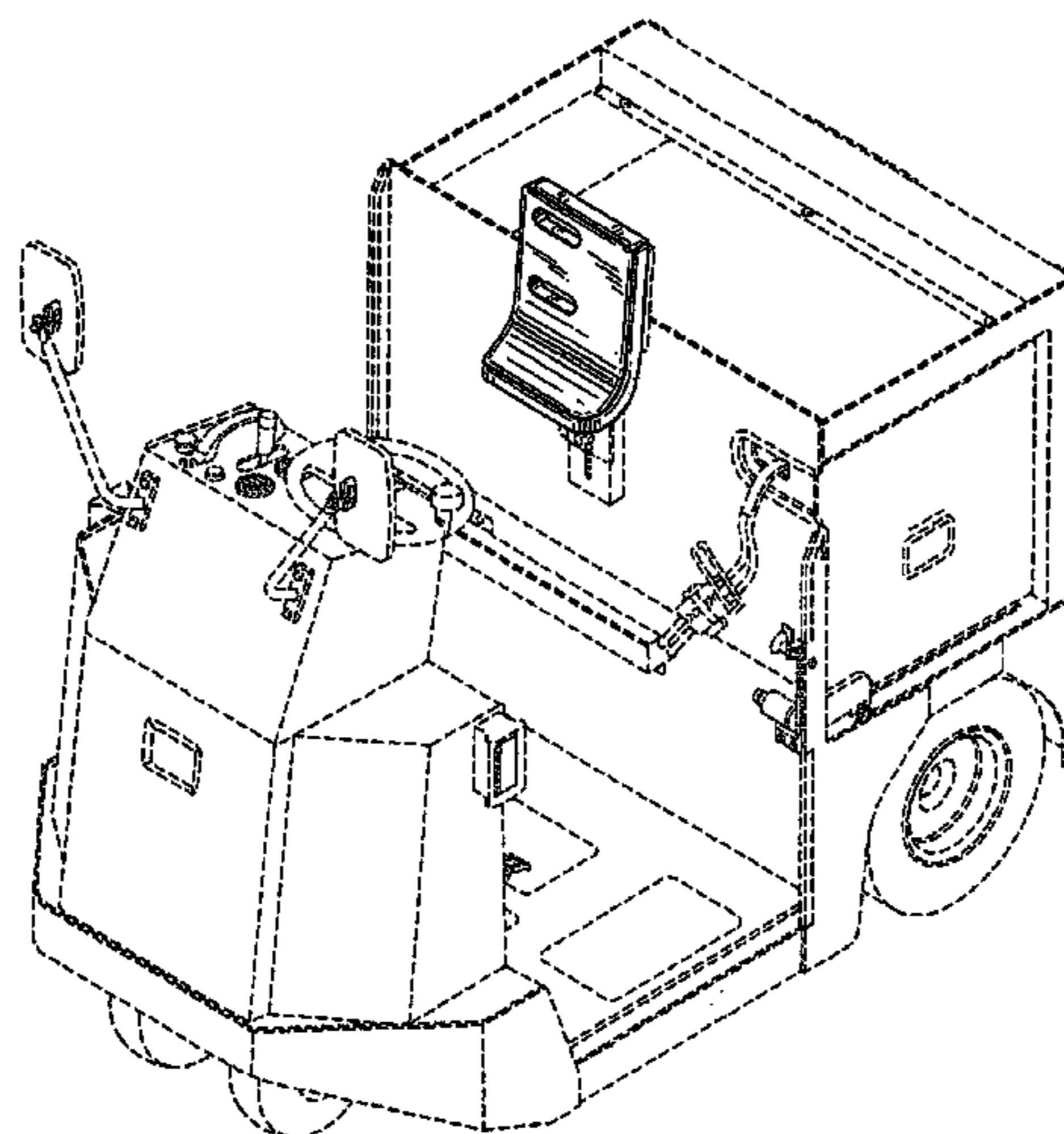
The broken lines in FIGS. 1-6 are shown for illustrative purposes only and form no part of the claimed design.

(56) **References Cited**

**U.S. PATENT DOCUMENTS**

635,234 A *	10/1899	Chance	.....	D6/354
D116,092 S	8/1939	Sunderberg		
D184,580 S	3/1959	Polhemus		
D186,159 S	9/1959	Chucta		
D191,742 S *	11/1961	Schaefer	.....	D6/362
D192,794 S	5/1962	Brown		
D223,191 S	3/1972	Satterfield		

**1 Claim, 7 Drawing Sheets**



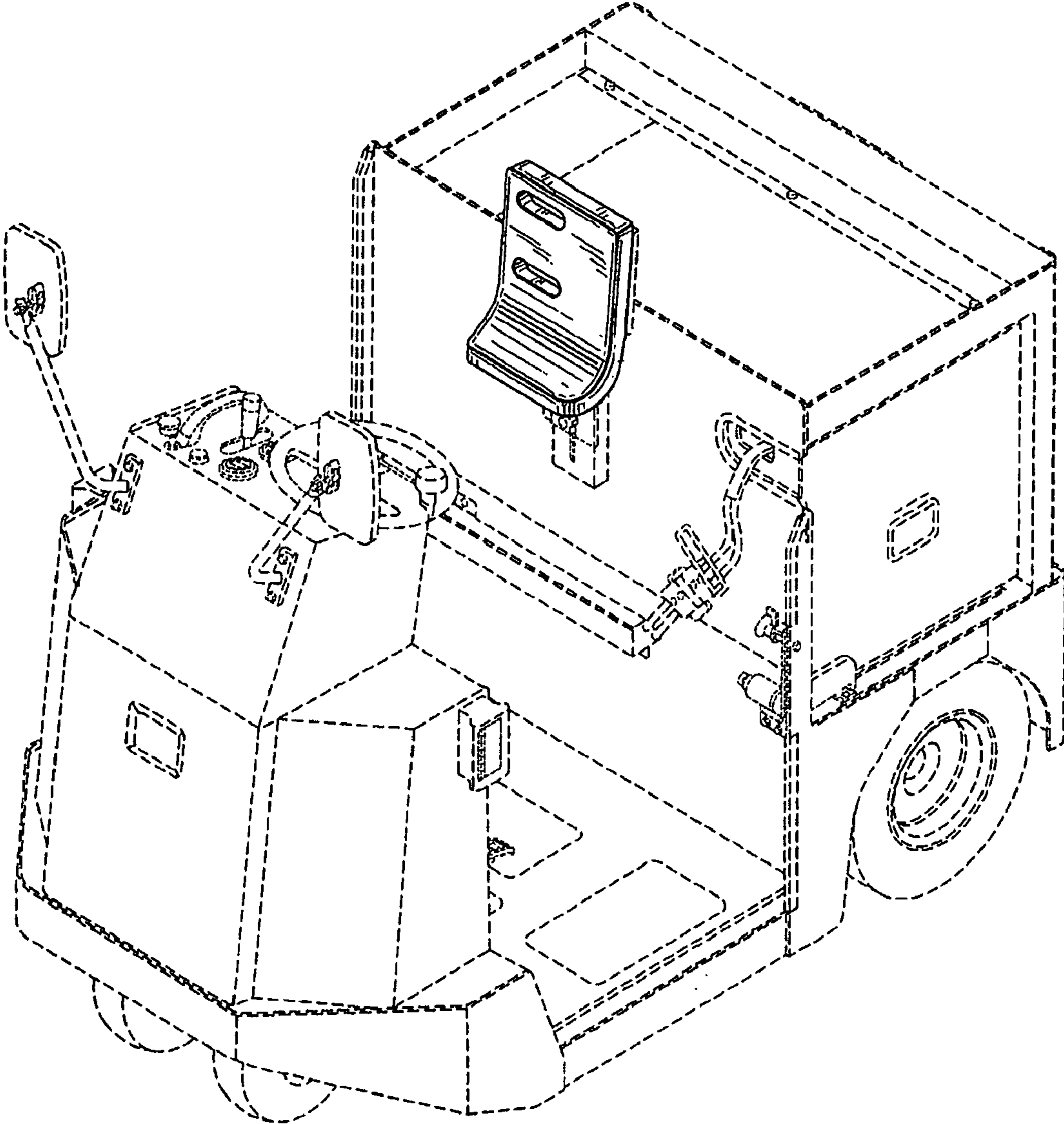
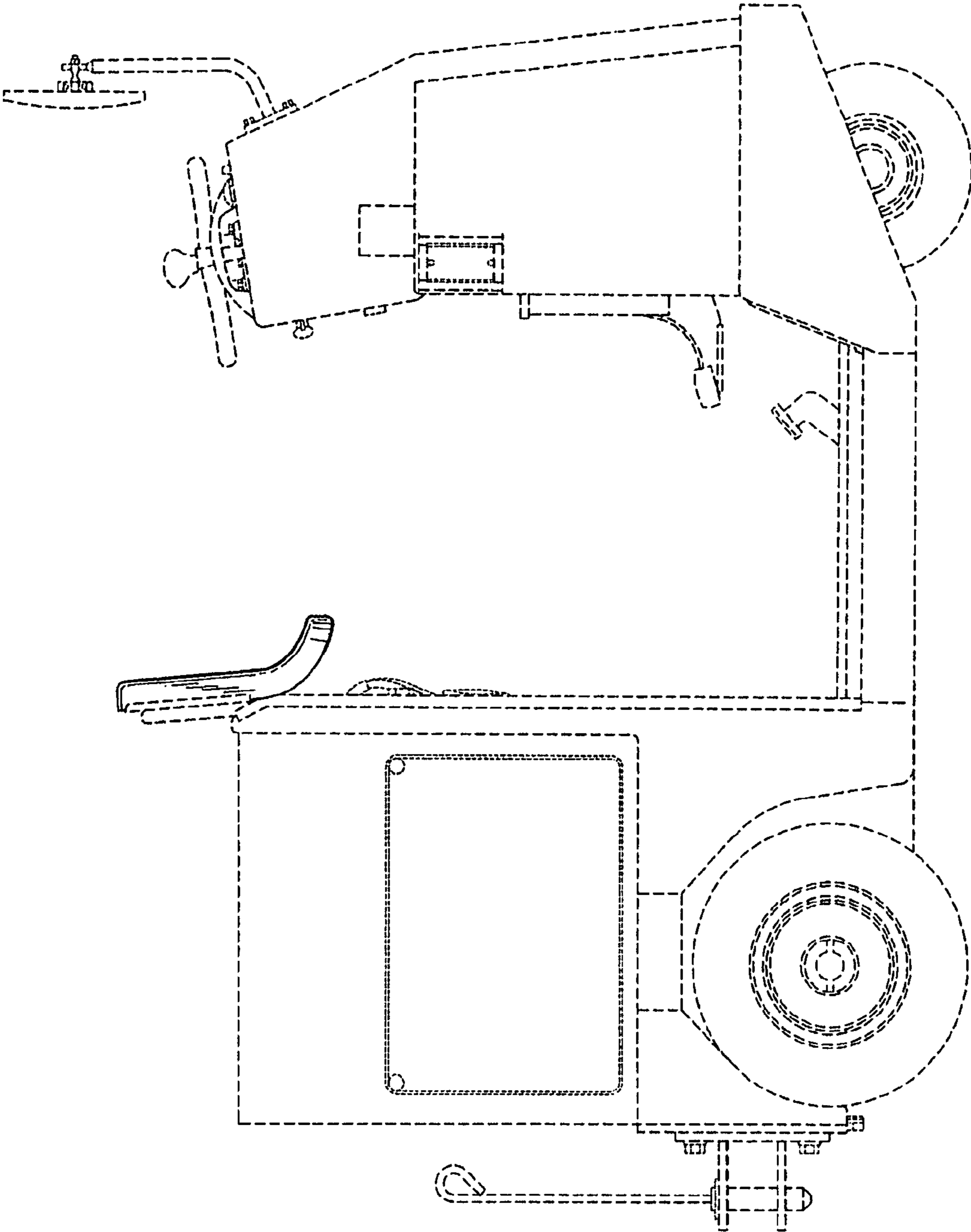


FIG. 1

FIG. 2



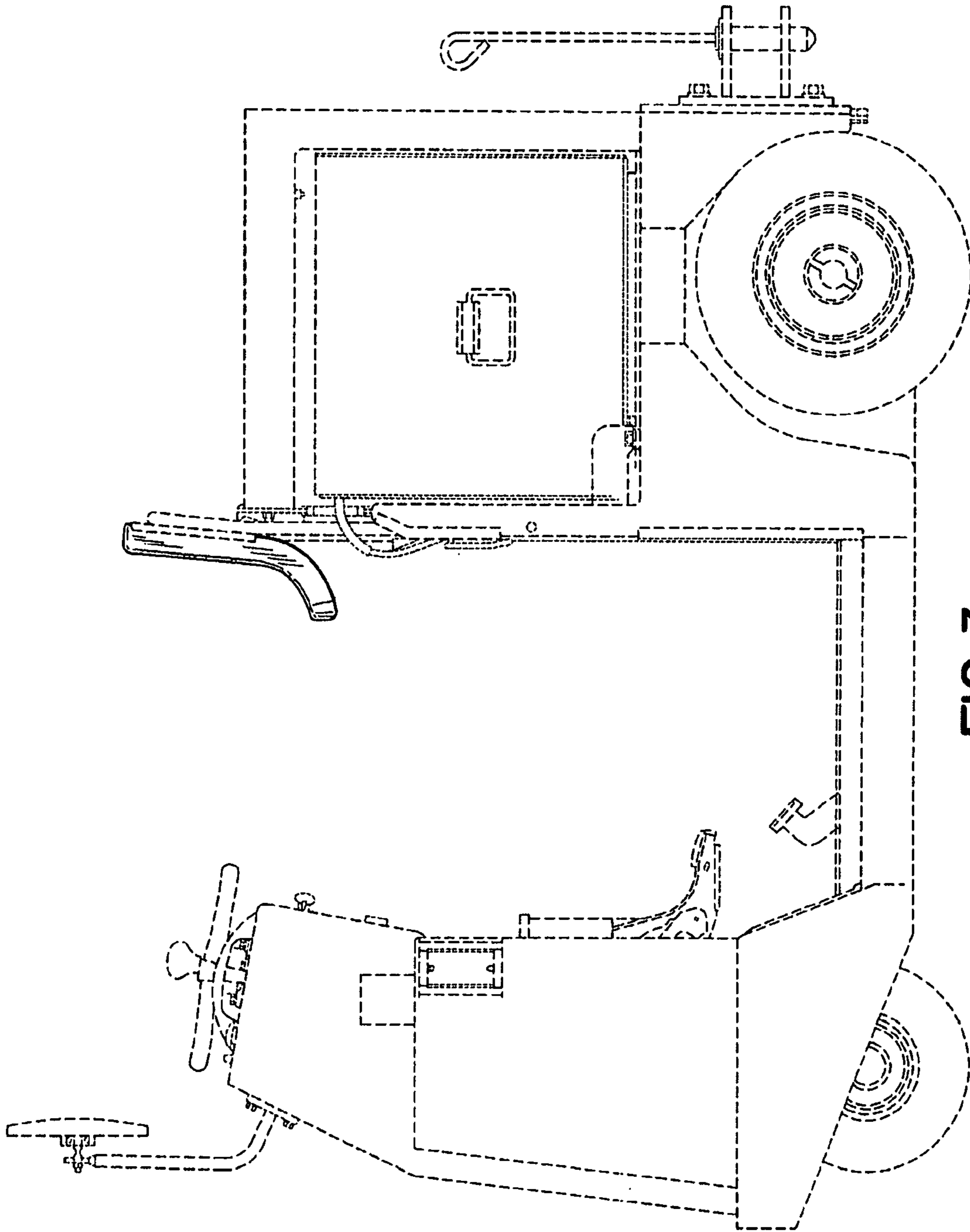


FIG. 3

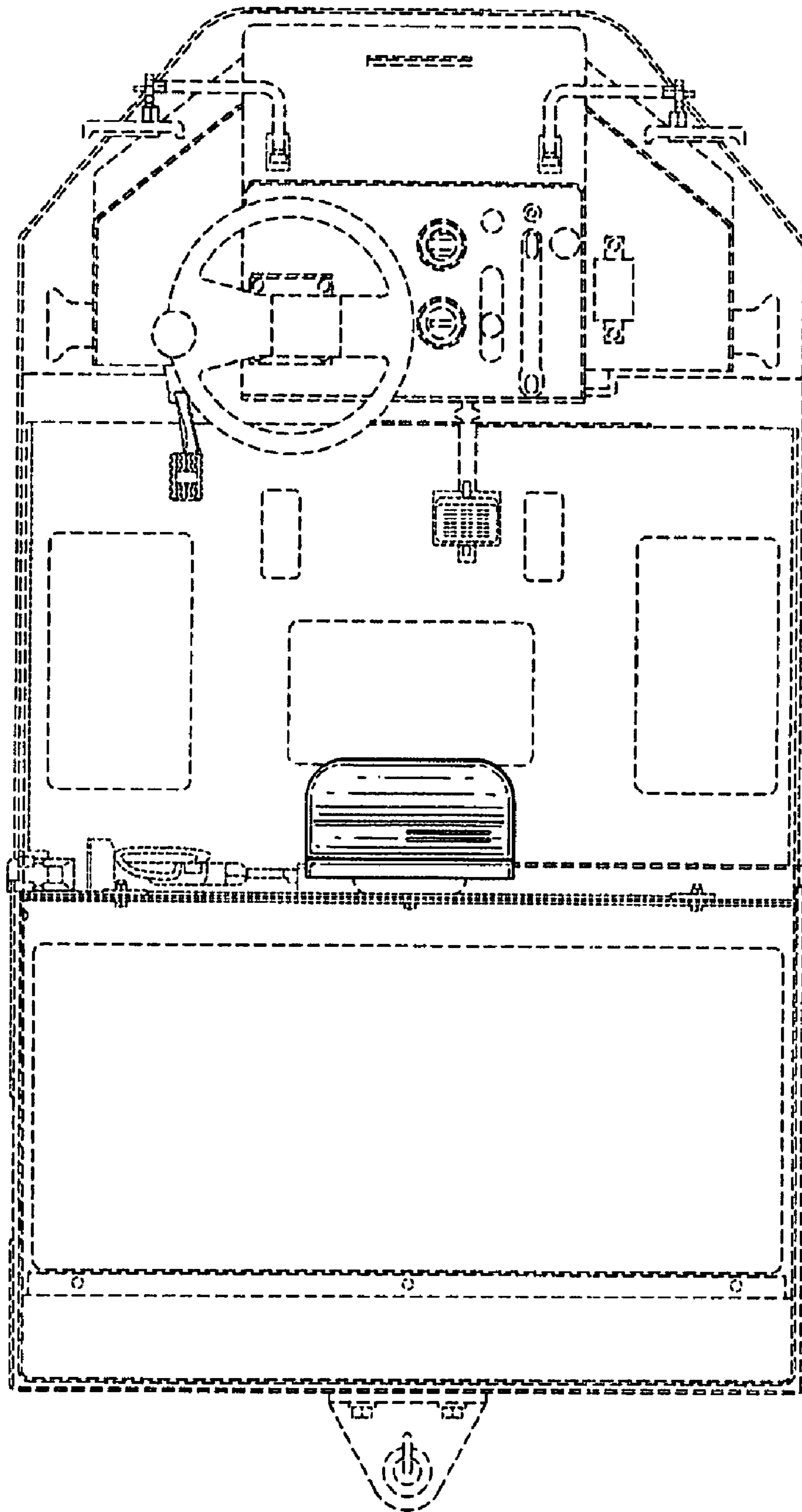


FIG.4

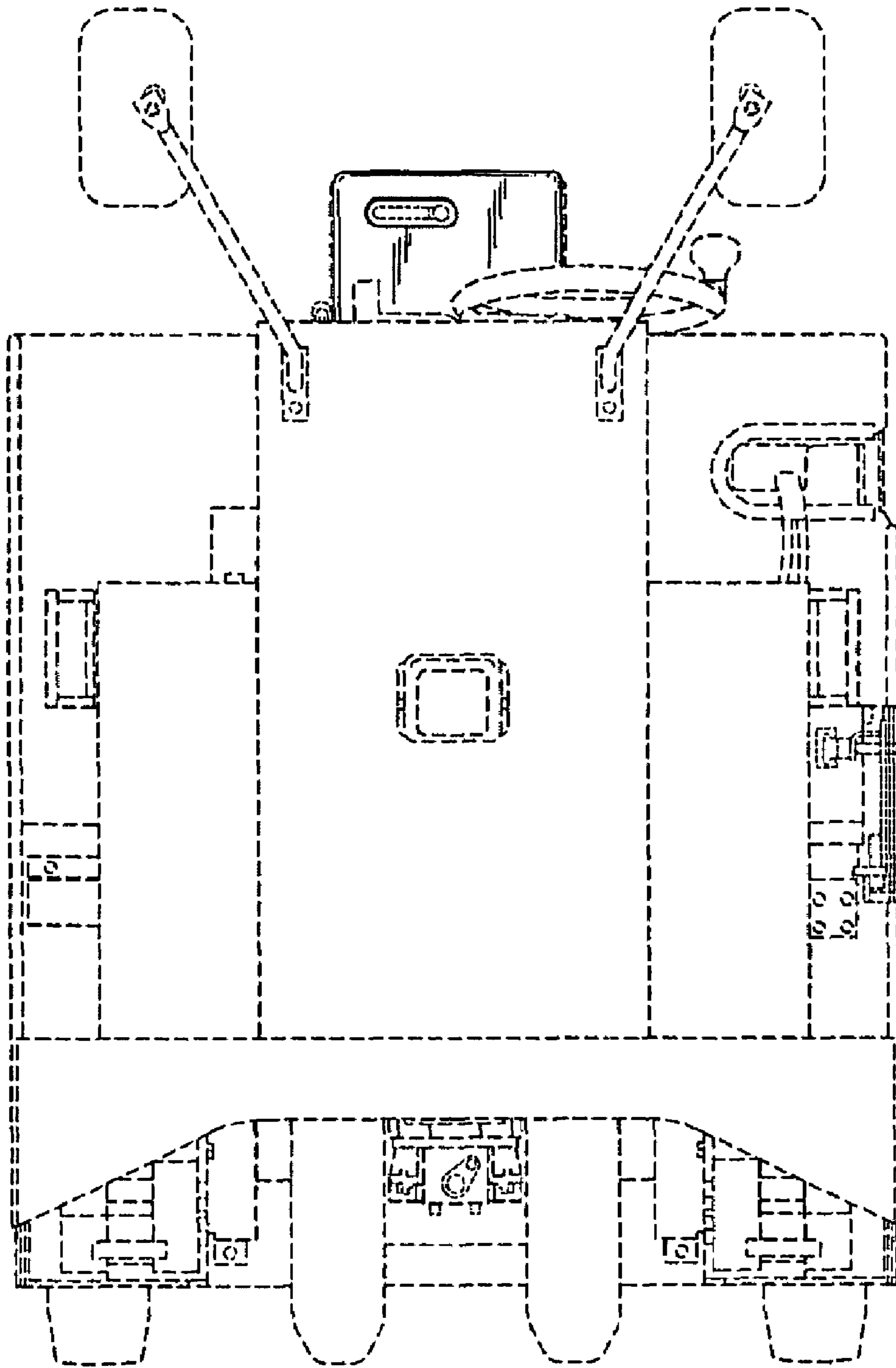


FIG.5

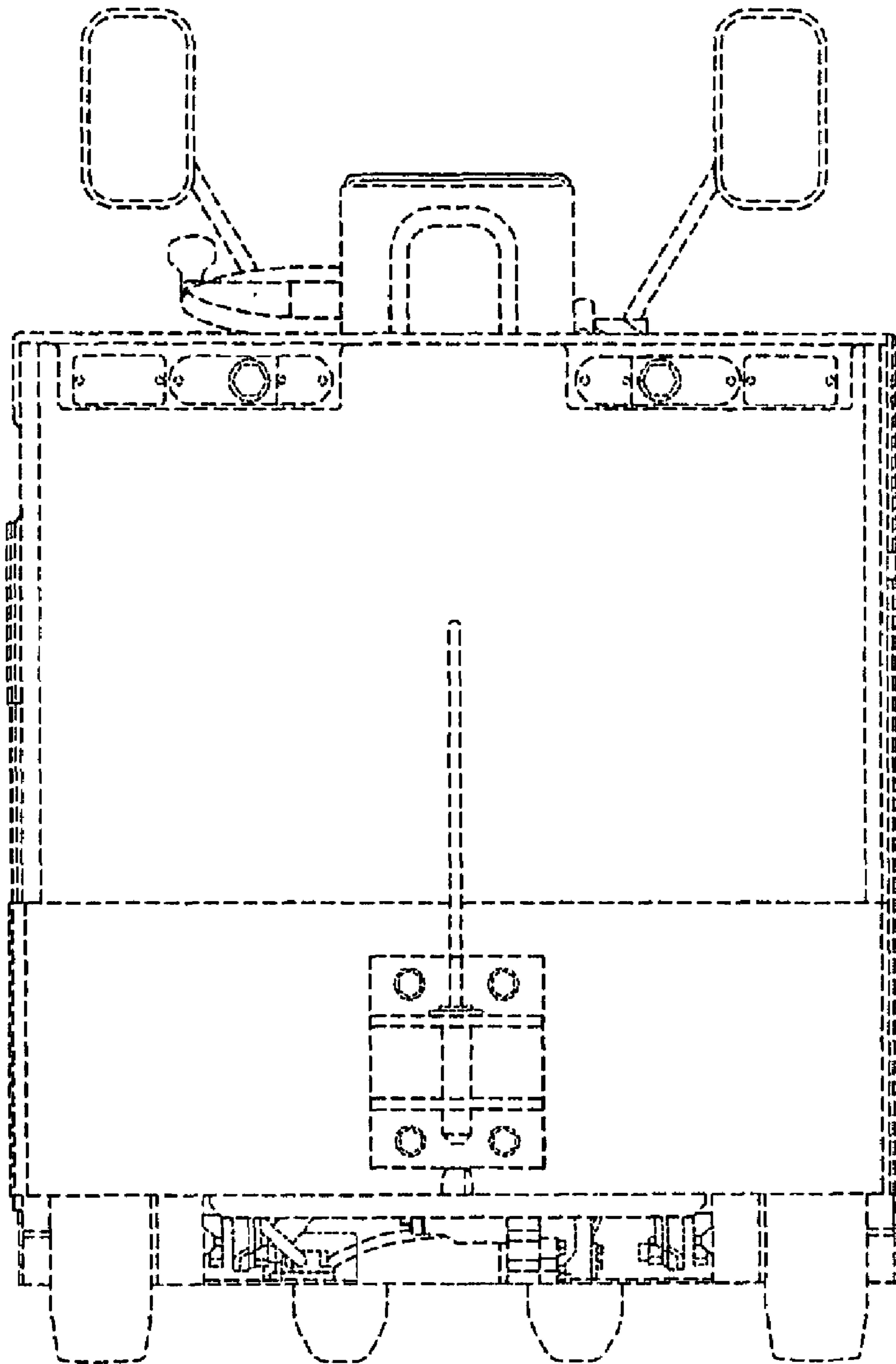


FIG. 6

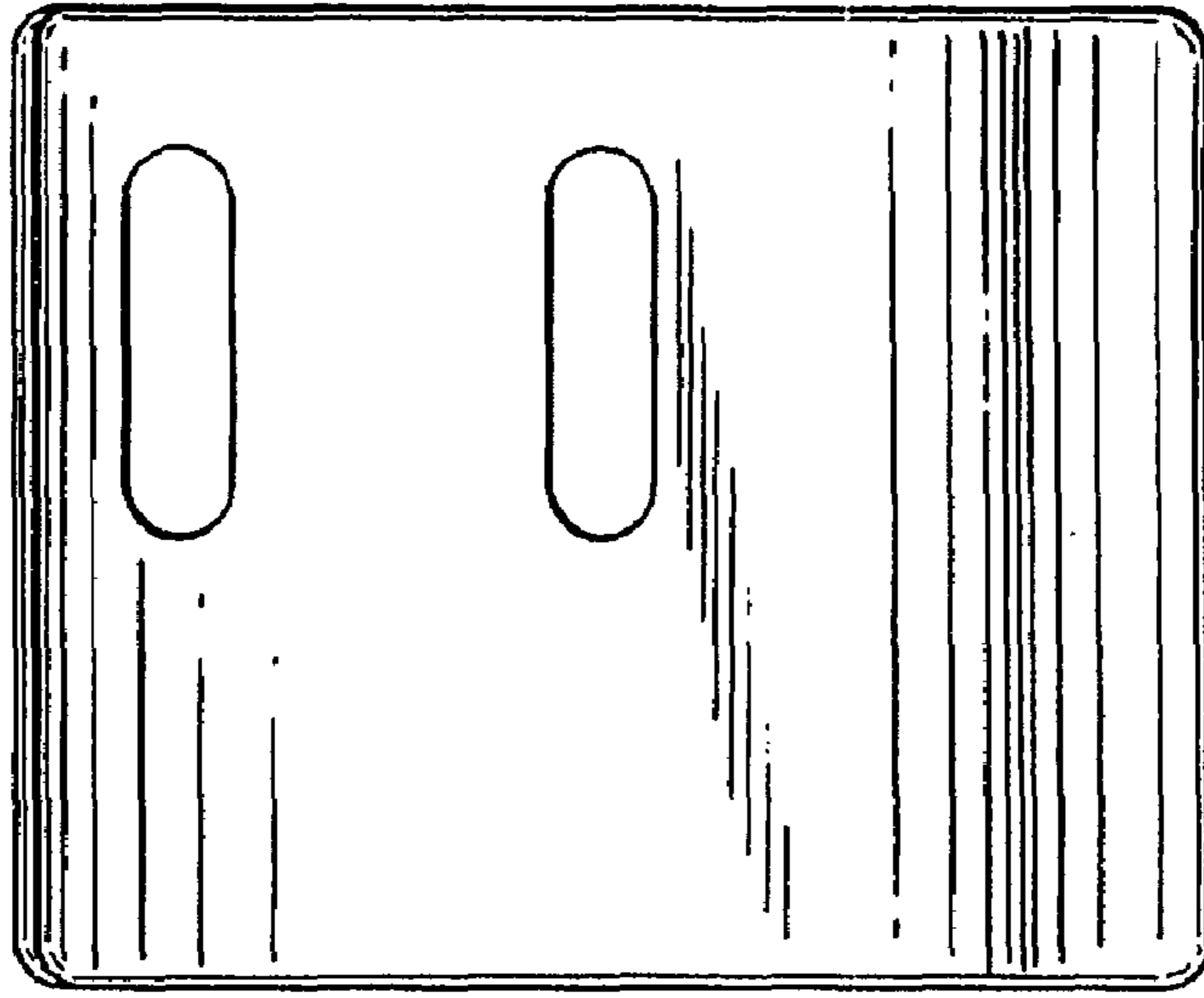


FIG. 9



FIG. 8



FIG. 7