

US00D562728S

(12) **United States Design Patent**
Downing et al.

(10) **Patent No.:** **US D562,728 S**

(45) **Date of Patent:** **** Feb. 26, 2008**

(54) **STRAP SECURING DEVICE**

(75) Inventors: **Mark Downing**, Palatine, IL (US);
David A. Walsh, Providence, RI (US);
Dana Wright Gleason, Jr., Bozeman,
MT (US)

(73) Assignee: **Illinois Tool Works, Inc**, Glenview, IL
(US)

(**) Term: **14 Years**

(21) Appl. No.: **29/270,435**

(22) Filed: **Dec. 22, 2006**

Related U.S. Application Data

(63) Continuation of application No. 11/397,084, filed on
Apr. 4, 2006, now abandoned.

(51) **LOC (8) Cl.** **02-07**

(52) **U.S. Cl.** **D11/210**

(58) **Field of Classification Search** D11/200-201,
D11/206-210, 214-216, 218; 24/163 R,
24/169-171, 173, 177-179, 191, 194, 195,
24/200, 197

See application file for complete search history.

(56) **References Cited**

U.S. PATENT DOCUMENTS

D170,787 S * 11/1953 Word D11/210

D322,234 S * 12/1991 Fildan D11/218
D433,650 S * 11/2000 Gable D11/200
D433,964 S * 11/2000 Fildan D11/210
D435,807 S * 1/2001 Anscher D11/200
6,615,460 B1 * 9/2003 Baumgarten 24/615
D496,882 S * 10/2004 Kaneko et al. D11/218

* cited by examiner

Primary Examiner—Ralf Seifert

(74) *Attorney, Agent, or Firm*—Mark W. Croll; Paul F.
Donovan

(57) **CLAIM**

The ornamental design for a strap securing device, as shown
and described.

DESCRIPTION

FIG. 1 is a perspective view of a strap securing device
showing the new design;

FIG. 2 is a top plan view thereof;

FIG. 3 is a bottom plan view thereof;

FIG. 4 is a front end elevational view thereof;

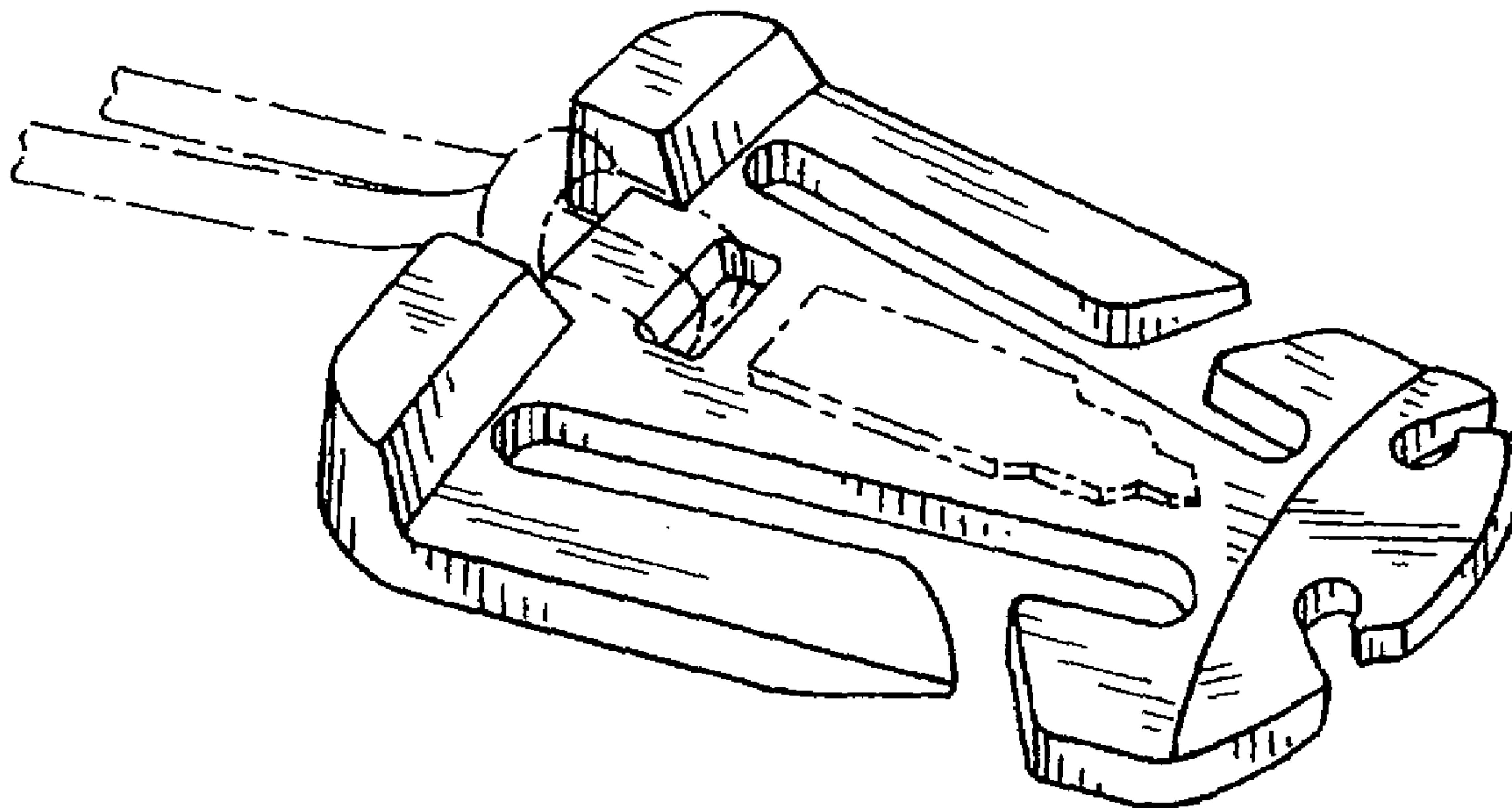
FIG. 5 is a back end elevational view thereof;

FIG. 6 is a right side elevational view thereof; and,

FIG. 7 is a left side elevational view thereof.

The broken line portions of the disclosure are for illustrative
purposes only and form no part of the claimed design.

1 Claim, 2 Drawing Sheets



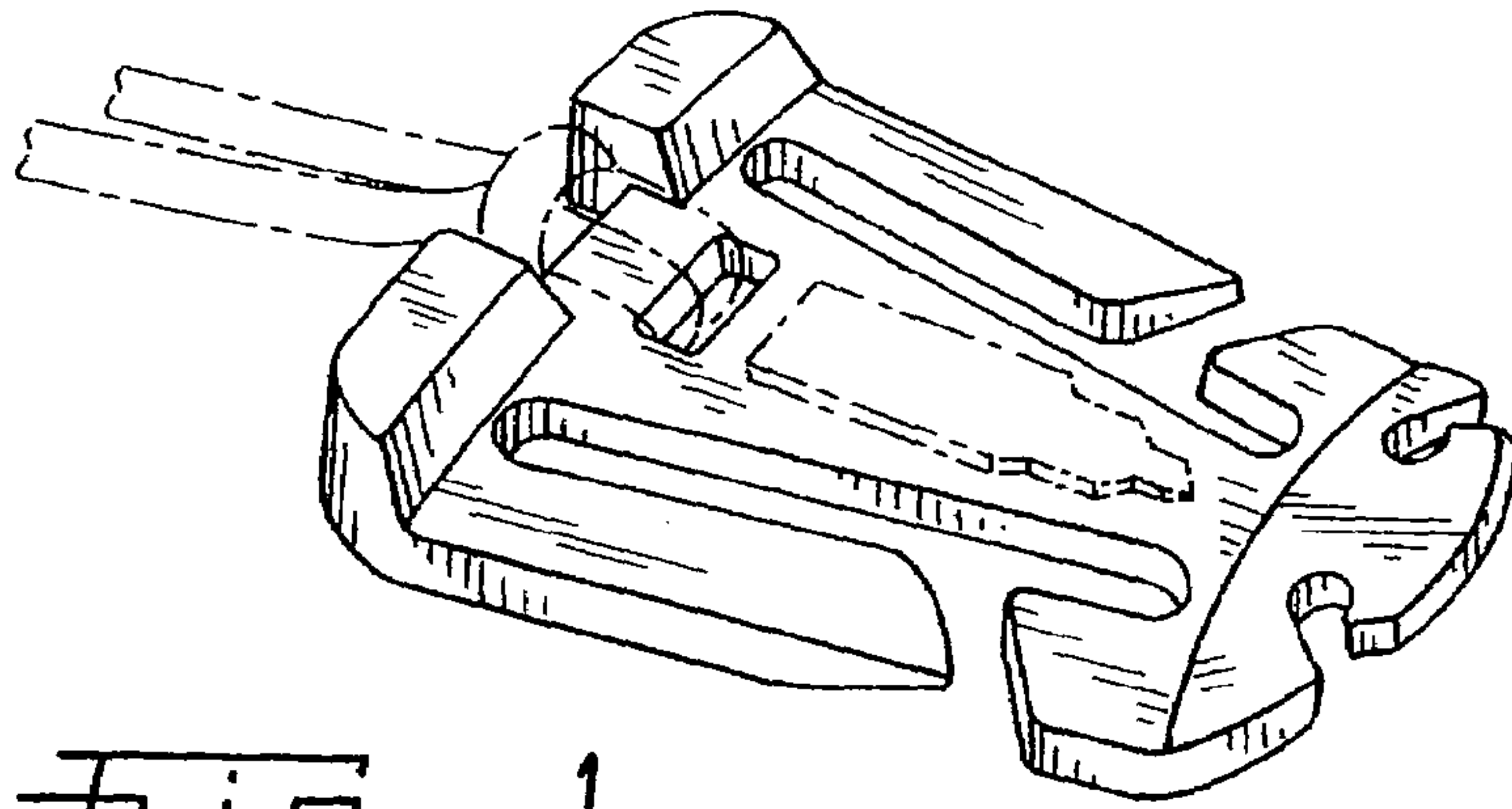


Fig. 1

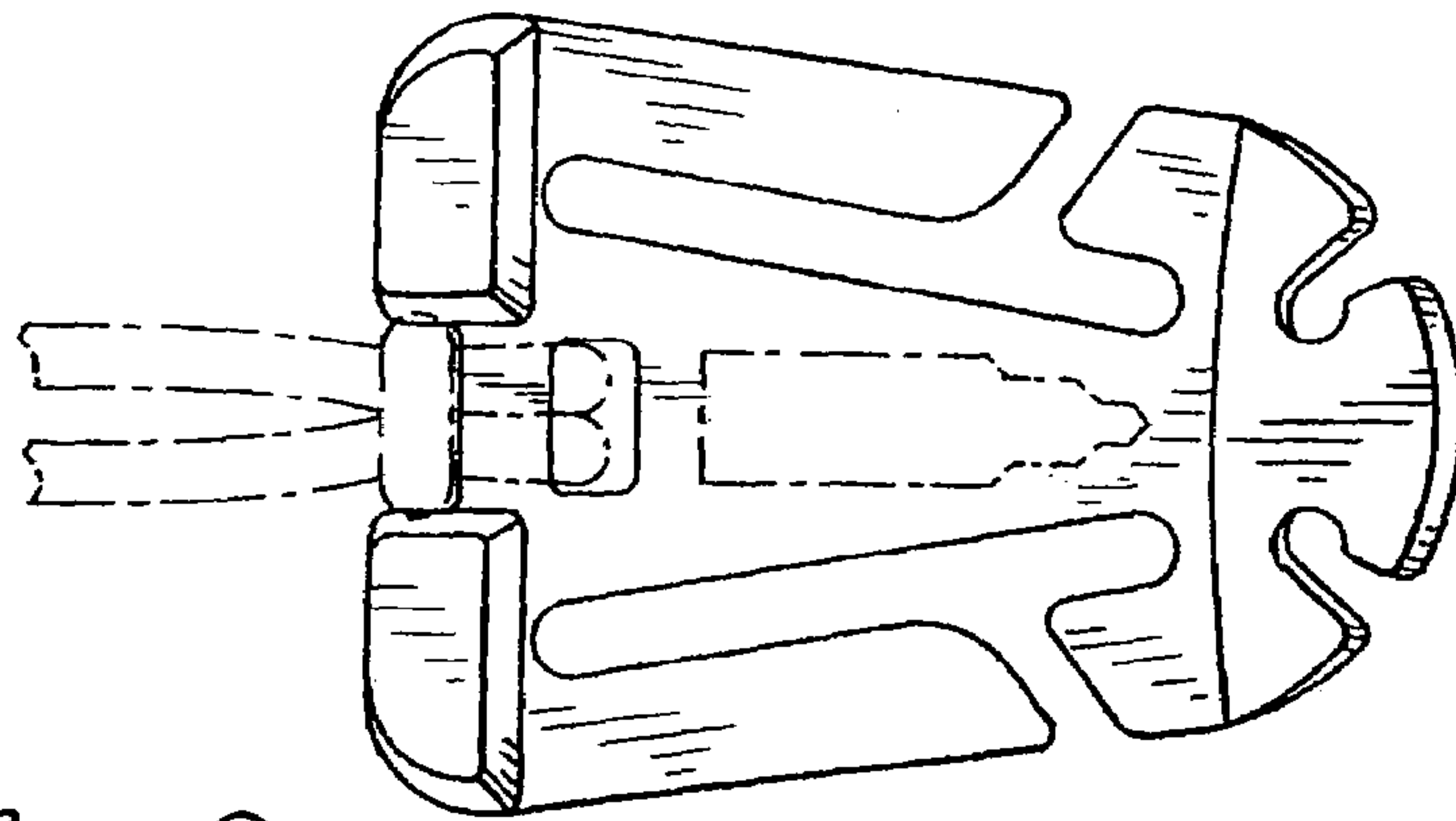


Fig. 2

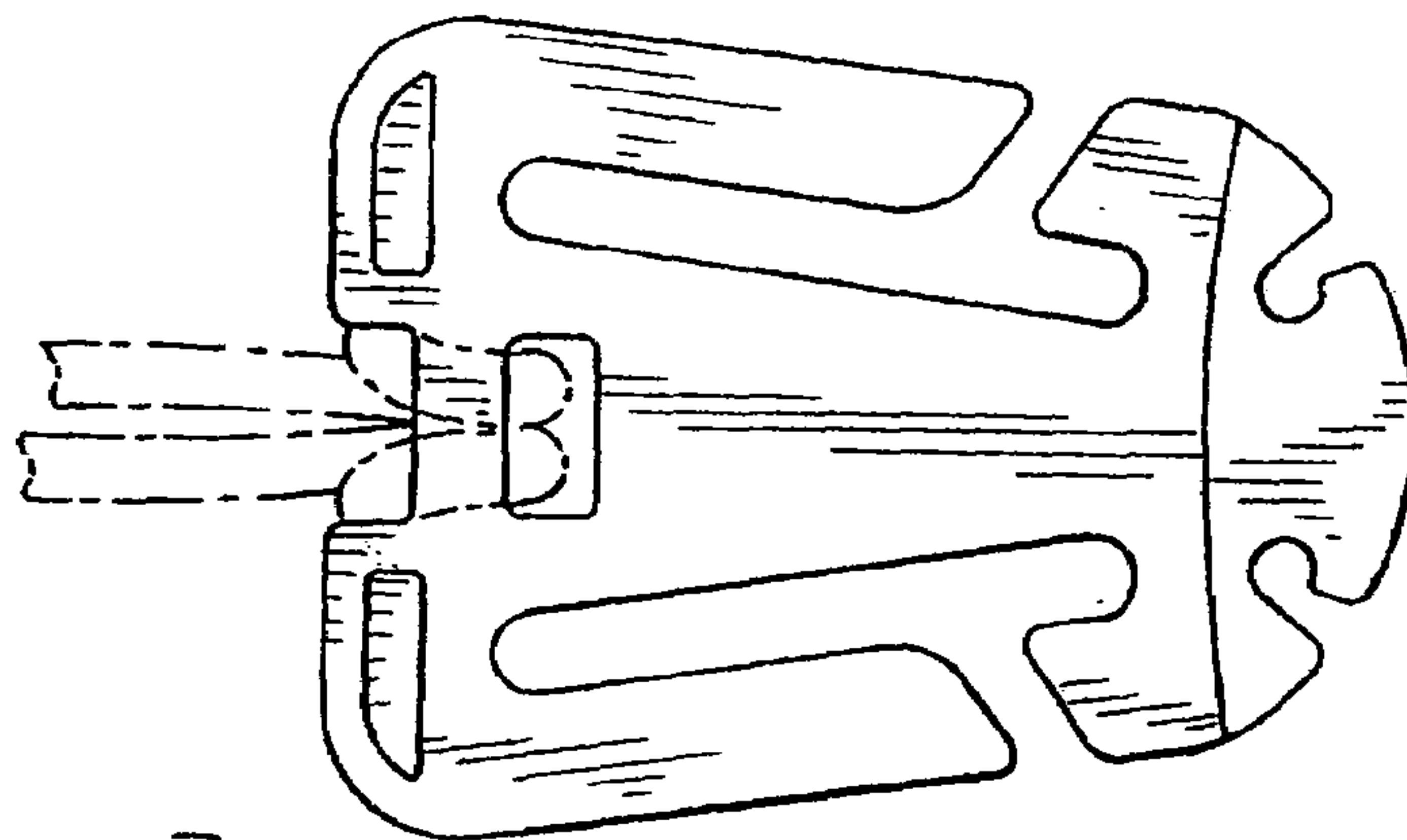


Fig. 3

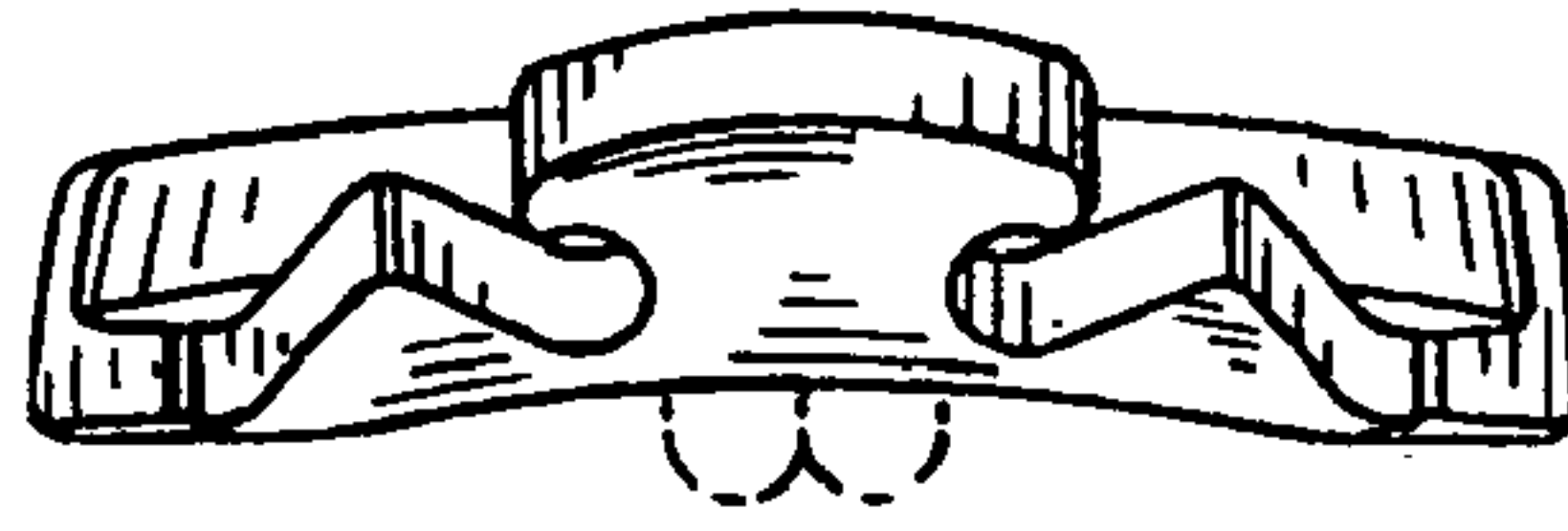


Fig. 4

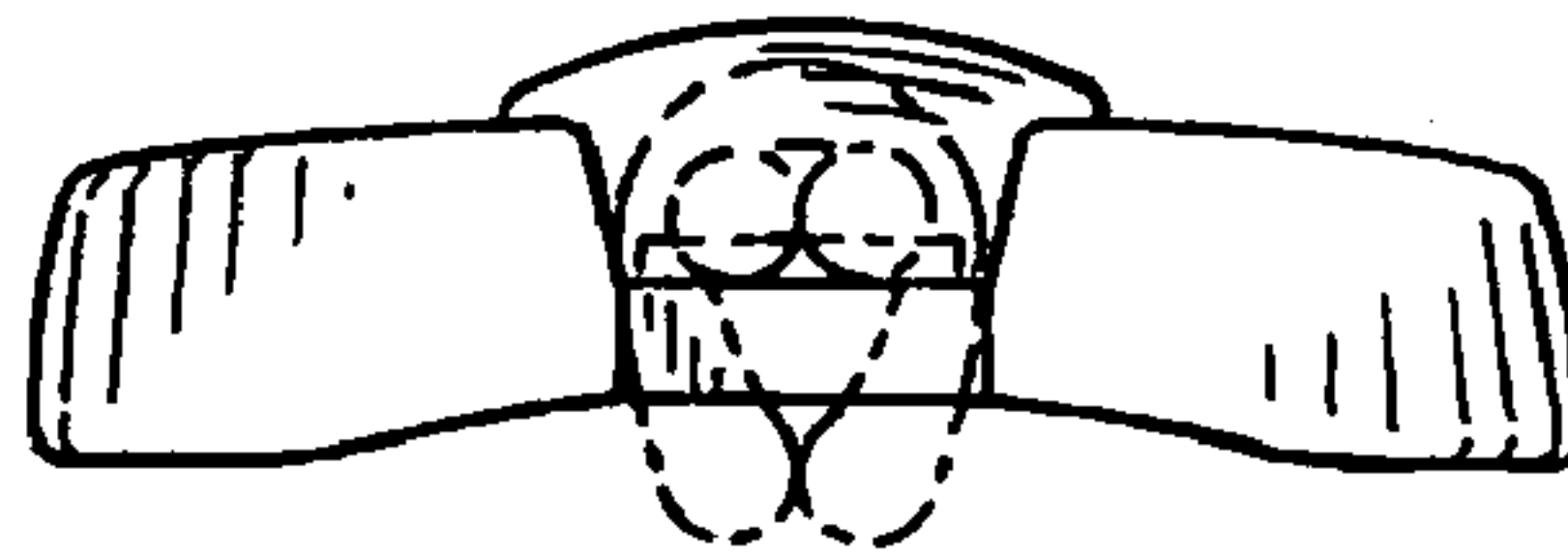


Fig. 5

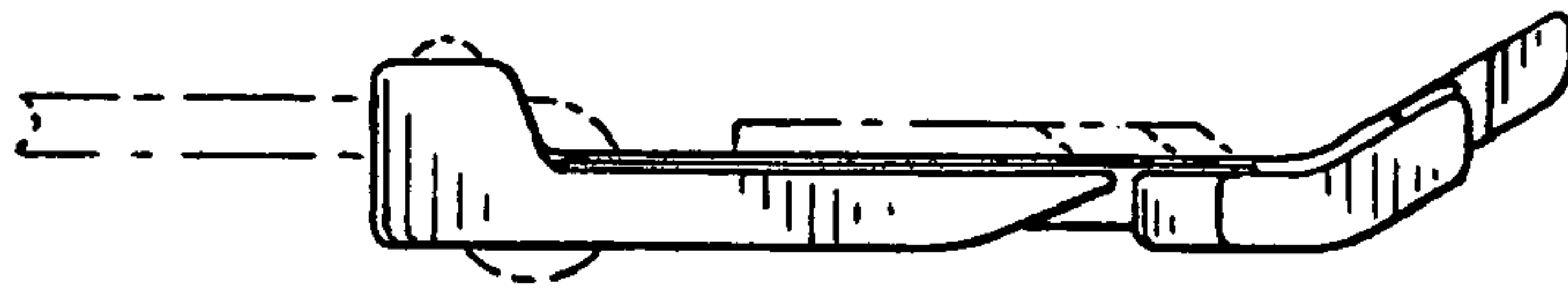


Fig. 6

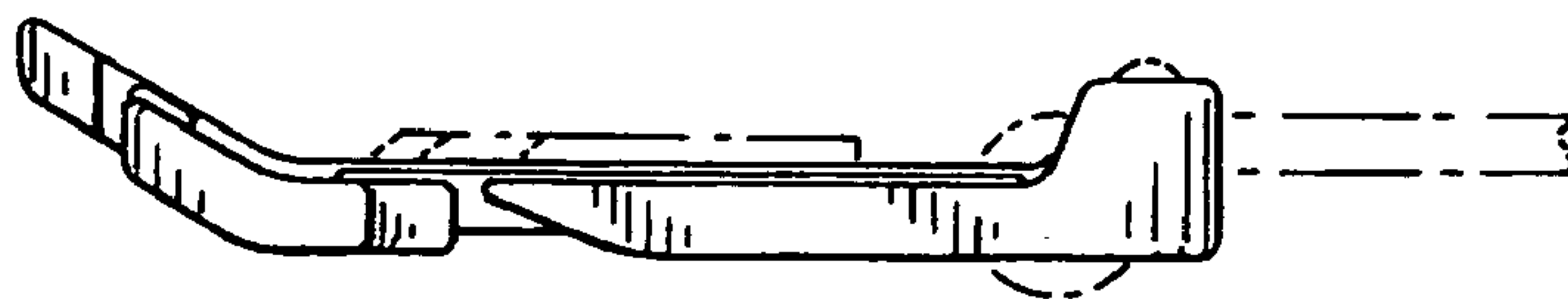


Fig. 7