



US00D562715S

(12) **United States Design Patent**  
**Treloar**

(10) **Patent No.:** **US D562,715 S**  
(45) **Date of Patent:** **\*\* Feb. 26, 2008**

(54) **VEHICLE SAFETY LIGHT WITH TRIPOD AND SUCTION CUP**

(76) Inventor: **John C. Treloar**, 206 Live Oak La., Largo, FL (US) 33770

(\*\*) Term: **14 Years**

(21) Appl. No.: **29/281,421**

(22) Filed: **Jun. 22, 2007**

(51) **LOC (8) Cl.** ..... **10-05**

(52) **U.S. Cl.** ..... **D10/114**

(58) **Field of Classification Search** ..... D10/104,  
D10/114; 116/63 T, 63 P, 63 C; 362/459-468,  
362/475-478, 485-487

See application file for complete search history.

(56) **References Cited**

**U.S. PATENT DOCUMENTS**

D389,078 S *	1/1998	Freeman et al.	.....	D10/114
D437,433 S *	2/2001	Kim	.....	D26/38
D506,942 S *	7/2005	Leung et al.	.....	D10/114
D514,009 S *	1/2006	Parr et al.	.....	D10/114

\* cited by examiner

*Primary Examiner*—Marcus A. Jackson

(74) *Attorney, Agent, or Firm*—Larson & Larson; Frank Liebenow

(57) **CLAIM**

I claim the ornamental design for a vehicle safety light with tripod and suction cup, as shown and described.

**DESCRIPTION**

FIG. 1 is a front elevation view of the vehicle safety light with tripod and suction cup showing my novel design for adhering to a vehicle;

FIG. 2 is a rear elevation view thereof;

FIG. 3 is a left side view thereof;

FIG. 4 is a right side view thereof;

FIG. 5 is a top plan view thereof; and,

FIG. 6 is a bottom plan view thereof.

**1 Claim, 3 Drawing Sheets**

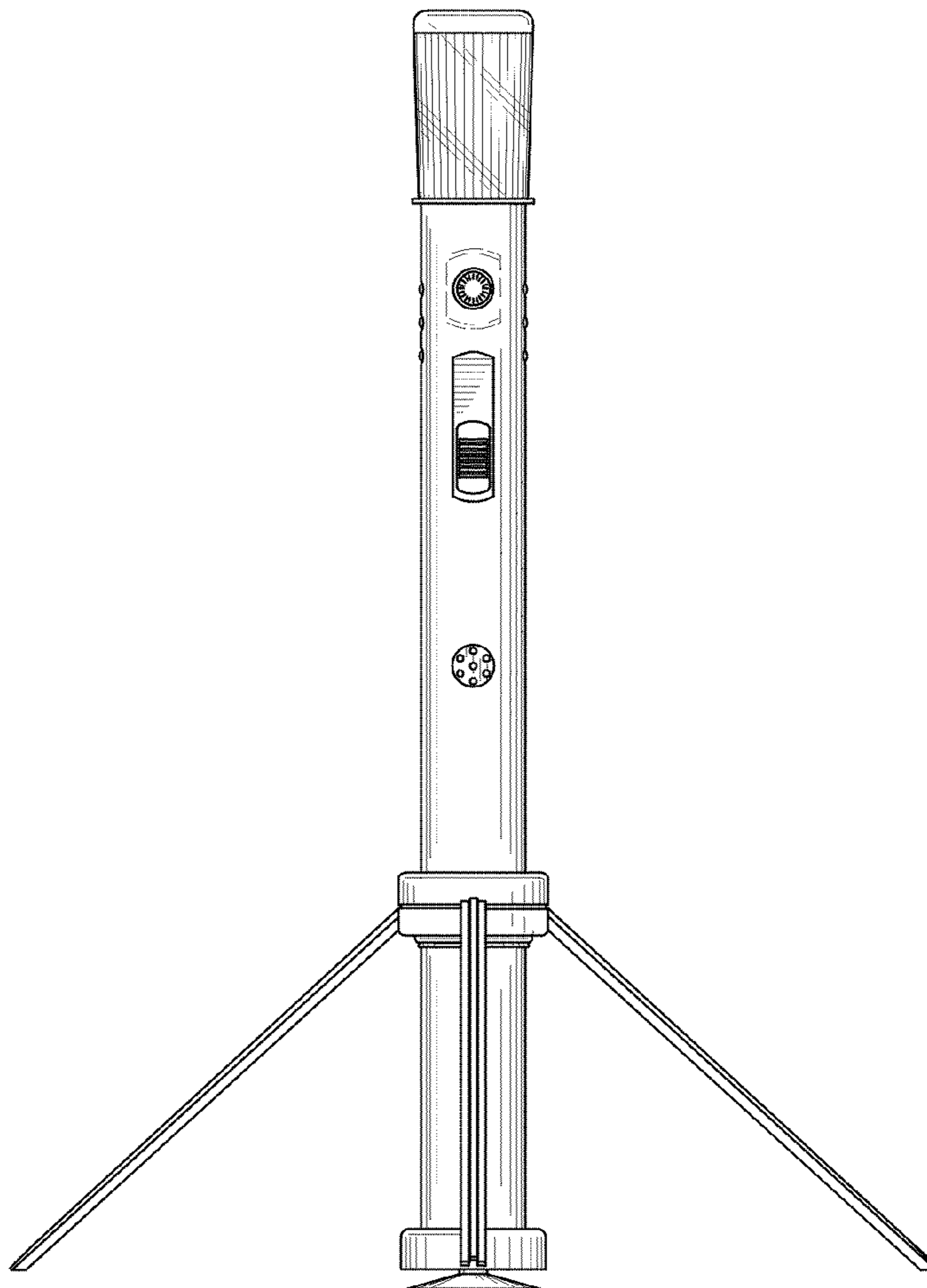


FIG. 1

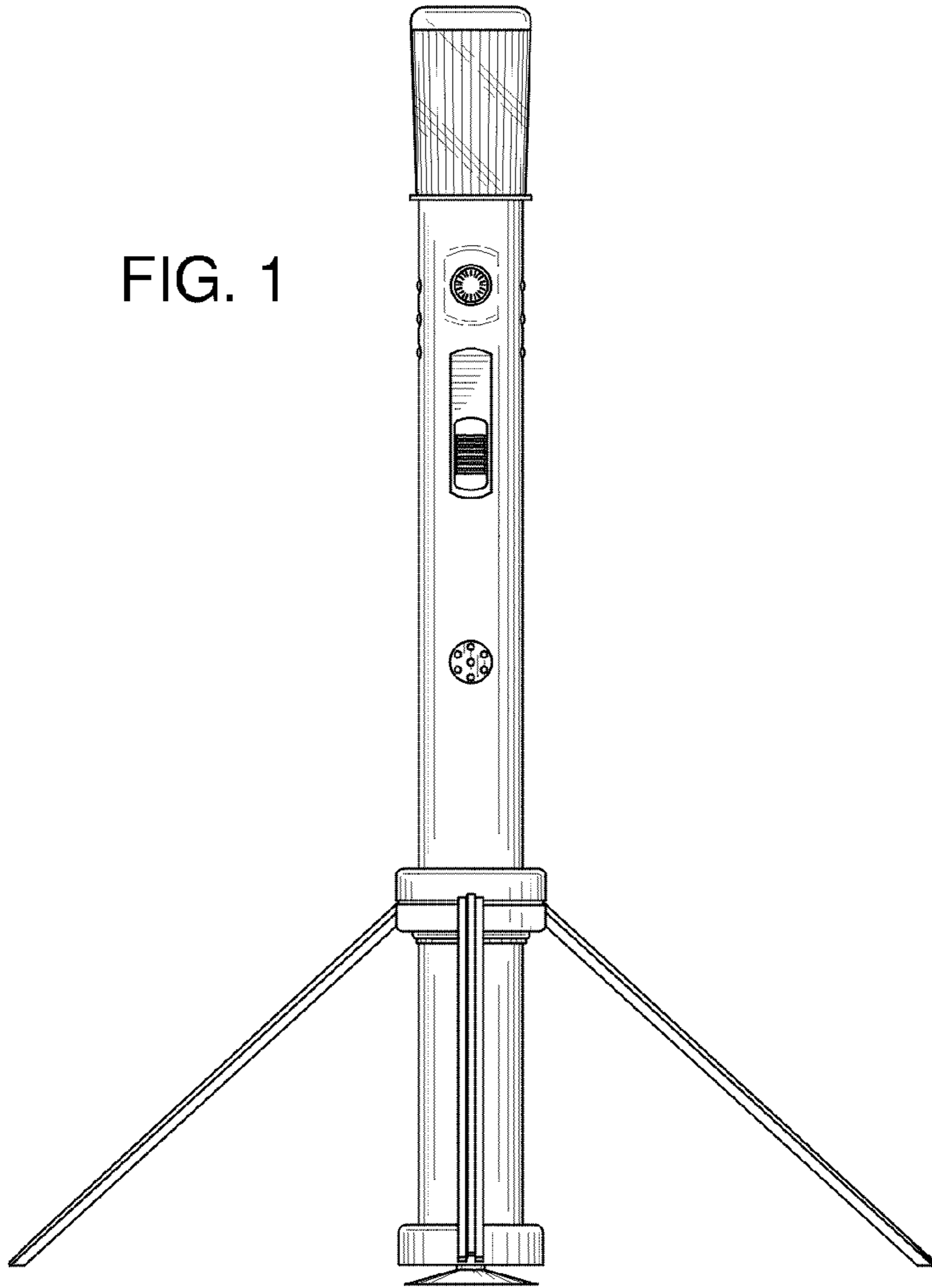


FIG. 2

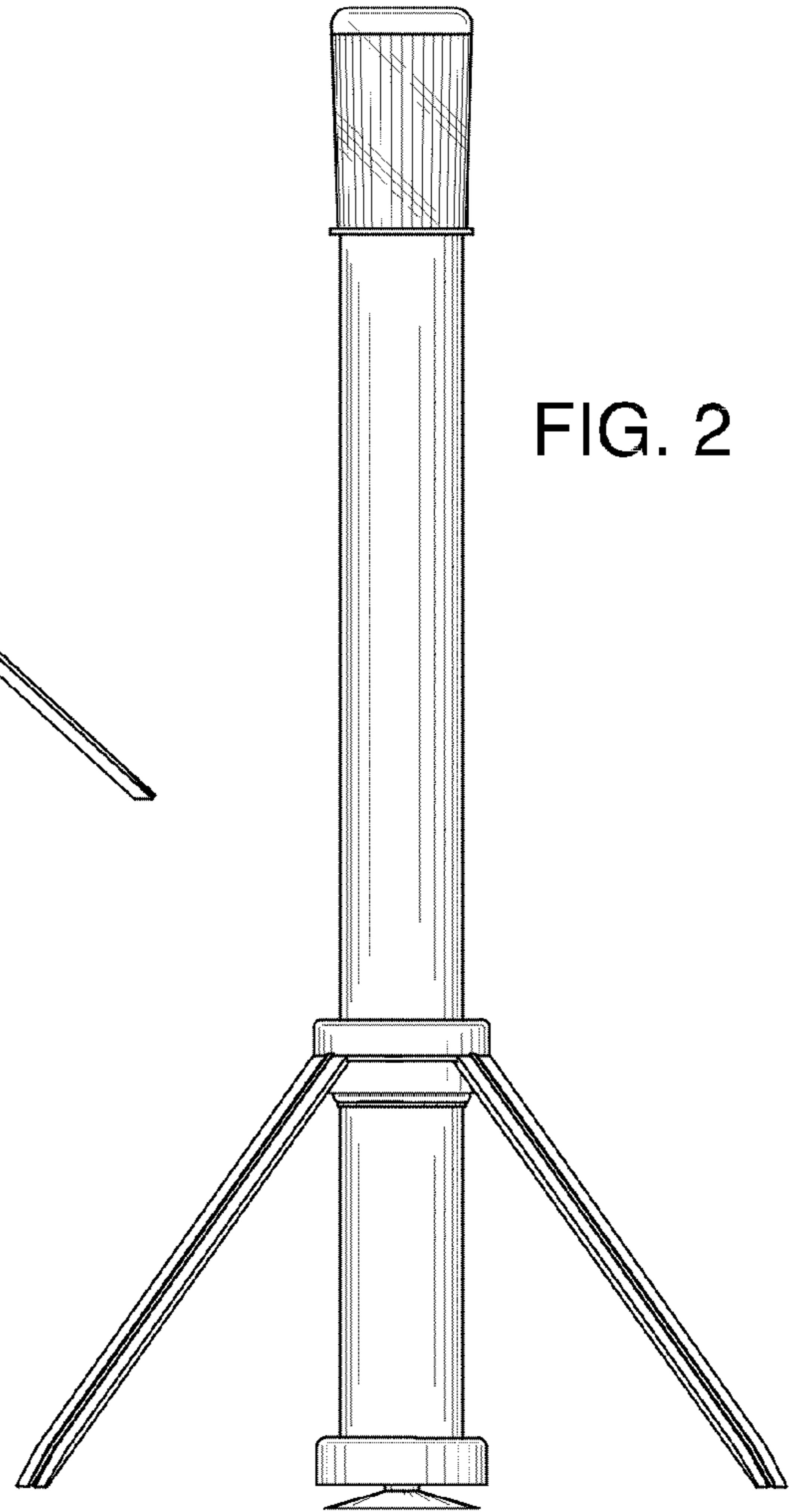


FIG. 3

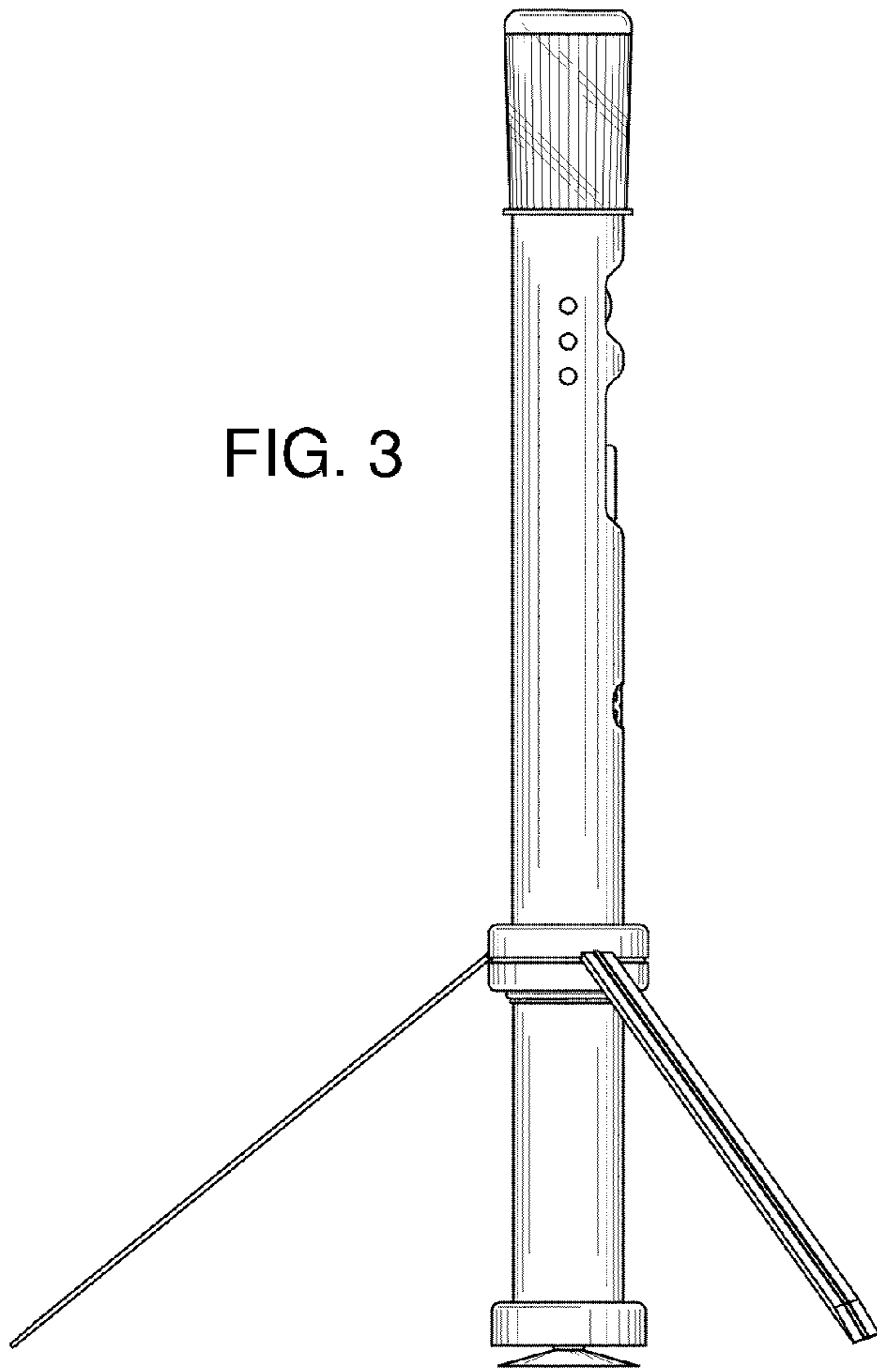


FIG. 4

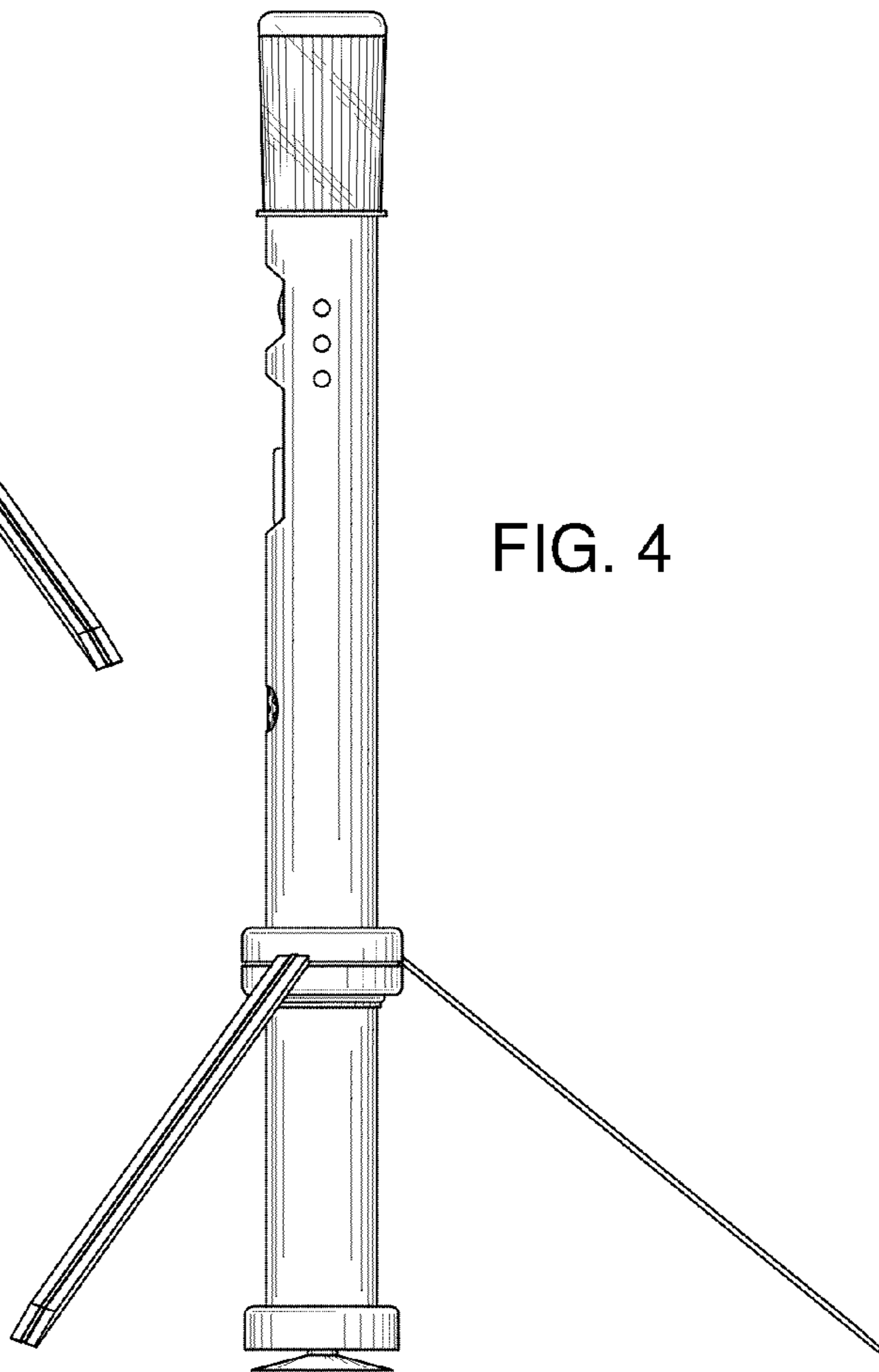


FIG. 5

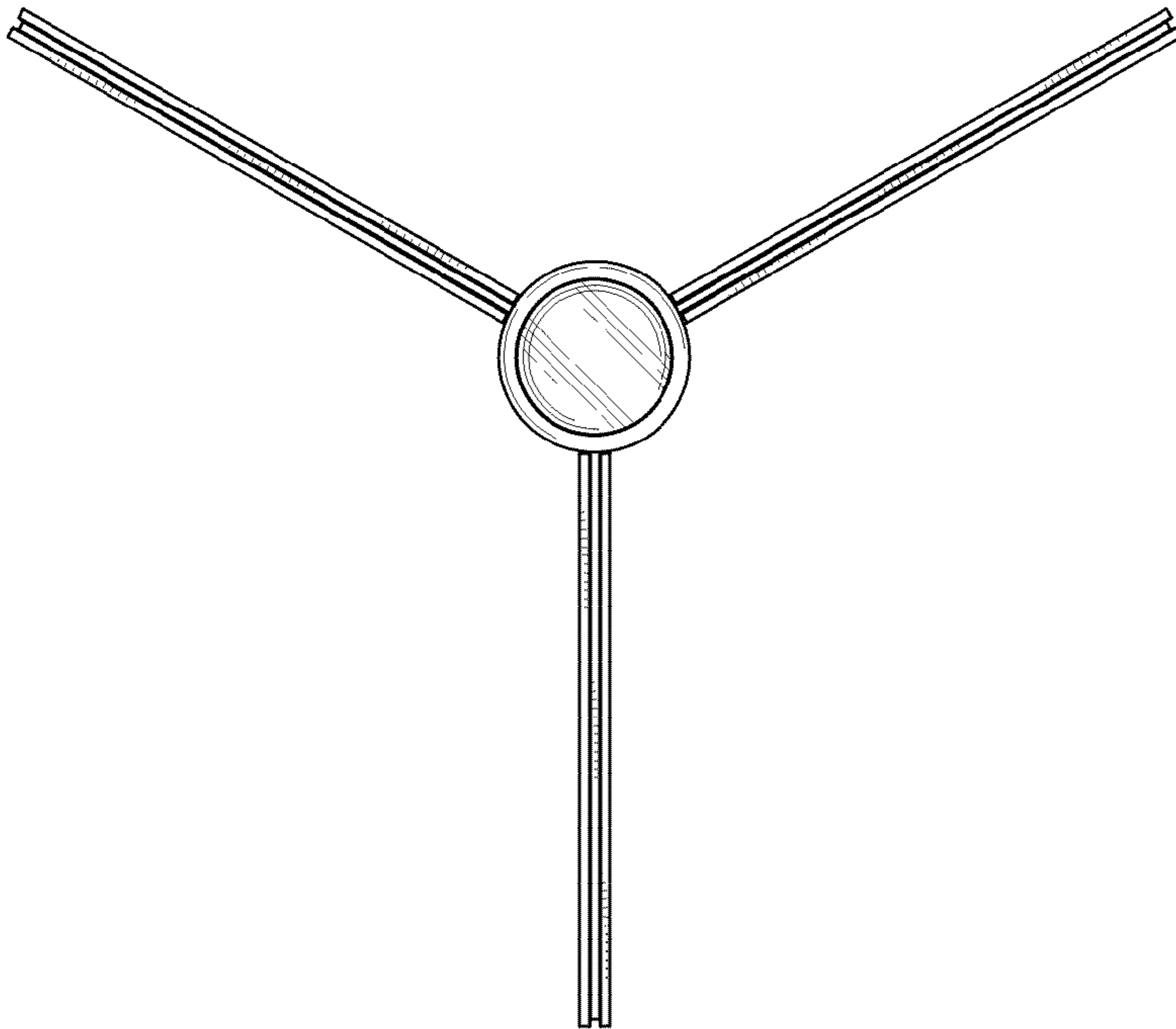


FIG. 6

