



US00D562713S

(12) **United States Design Patent**
Hurlimann

(10) **Patent No.:** **US D562,713 S**
(45) **Date of Patent:** **** Feb. 26, 2008**

(54) **DIAL GAUGE HOLDER FOR HOLDING A DIAL INDICATOR AND ALLOWING FOR FINE FEELER ADJUSTMENT**

(76) Inventor: **Martin Hurlimann**, Gassli 5, Rothenbach b.H., CH-3373 (CH)

(**) Term: **14 Years**

(21) Appl. No.: **29/262,065**

(22) Filed: **Jun. 26, 2006**

(30) **Foreign Application Priority Data**

Dec. 27, 2005 (WO) DM/067 430
Jun. 16, 2006 (WO) DM/068 082

(51) **LOC (8) Cl.** **10-04**

(52) **U.S. Cl.** **D10/103; D10/102**

(58) **Field of Classification Search** D10/46,
D10/102, 103; 33/18 R, 84, 18 AT, 572,
33/412, 661; 248/276, 278, 284, 285, 286,
248/229, 282, 124, DIG. 4, 230, 231, 230.9;
269/131

See application file for complete search history.

(56) **References Cited**

U.S. PATENT DOCUMENTS

3,631,604 A * 1/1972 Schenavar 33/572
3,664,029 A * 5/1972 Glucoft et al. 33/572
4,348,000 A * 9/1982 Hanner 248/230.9
4,896,857 A * 1/1990 McCullough 248/279.1

* cited by examiner

Primary Examiner—Antoine D. Davis

(74) *Attorney, Agent, or Firm*—Pearne & Gordon LLP

(57) **CLAIM**

The ornamental design for a dial gauge holder for holding a dial indicator and allowing for fine feeler, as shown and described.

DESCRIPTION

FIG. 1 is a bottom view of a dial gauge holder for holding a dial indicator and allowing for fine feeler adjustment according to this invention;

FIG. 2 is a side view thereof;

FIG. 3 is an opposite view thereof;

FIG. 4 is an end view thereof;

FIG. 5 is an opposite view thereof;

FIG. 6 is a top view thereof;

FIG. 7 is a perspective view thereof;

FIG. 8 is a perspective view from the opposite side thereof;

FIG. 9 is a bottom view of a dial gauge holder for holding a dial indicator and allowing for fine feeler adjustment according to this invention;

FIG. 10 is a side view thereof;

FIG. 11 is an opposite view thereof;

FIG. 12 is an end view thereof;

FIG. 13 is an opposite view thereof;

FIG. 14 is a top view thereof;

FIG. 15 is a perspective view thereof;

FIG. 16 is a perspective view from the opposite side thereof;

FIG. 17 is a bottom view of a dial gauge holder for holding a dial indicator and allowing for fine feeler adjustment according to this invention;

FIG. 18 is a side view thereof;

FIG. 19 is an opposite view thereof;

FIG. 20 is an end view thereof;

FIG. 21 is an opposite view thereof;

FIG. 22 is a top view thereof;

FIG. 23 is a perspective view thereof;

FIG. 24 is a perspective view from the opposite side thereof;

FIG. 25 is a bottom view of a dial gauge holder for holding a dial indicator and allowing for fine feeler according to this invention;

FIG. 26 is a side view thereof;

FIG. 27 is an opposite view thereof;

FIG. 28 is an end view thereof;

FIG. 29 is an opposite view thereof;

FIG. 30 is a top view thereof;

FIG. 31 is a perspective view thereof; and,

FIG. 32 is a perspective view from the opposite side thereof.

1 Claim, 4 Drawing Sheets





FIG. 1



FIG. 4



FIG. 2



FIG. 5



FIG. 3



FIG. 6

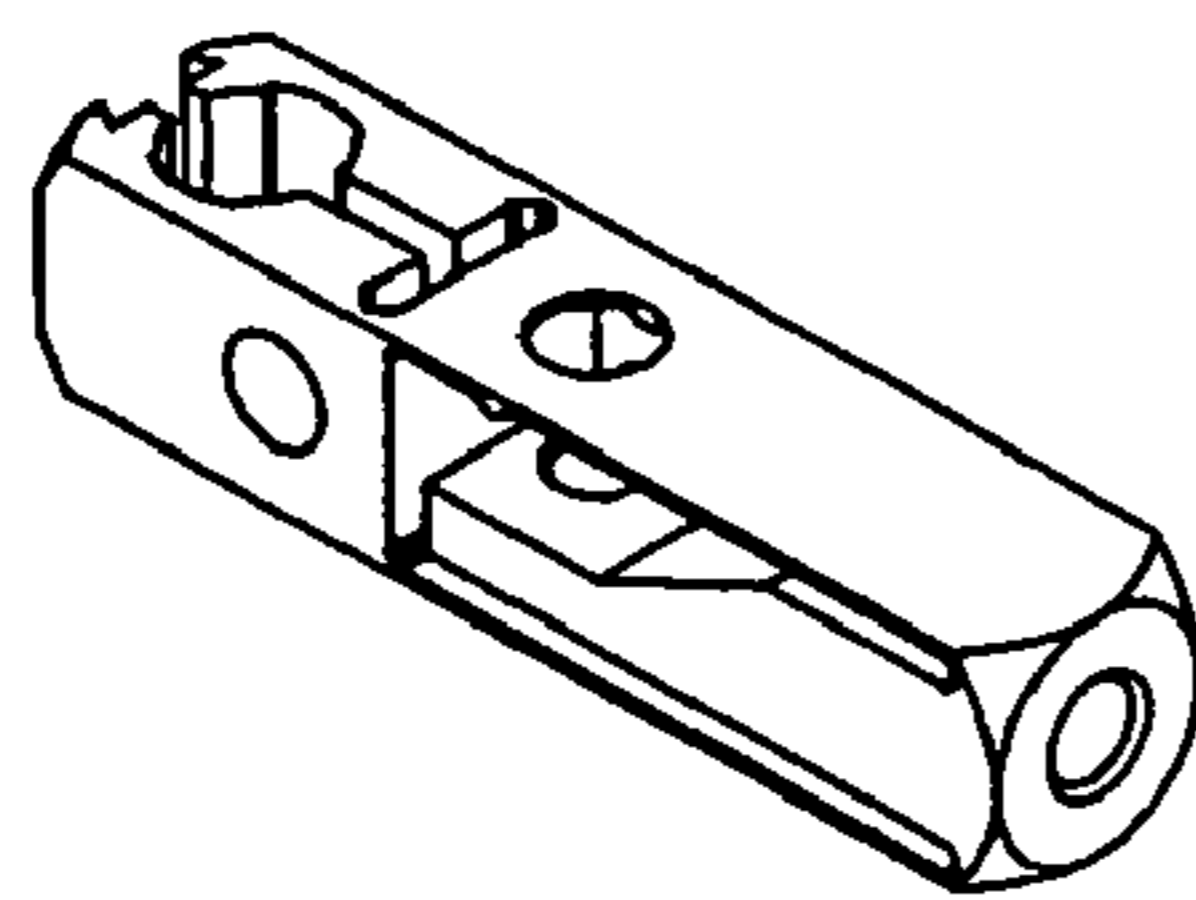


FIG. 7

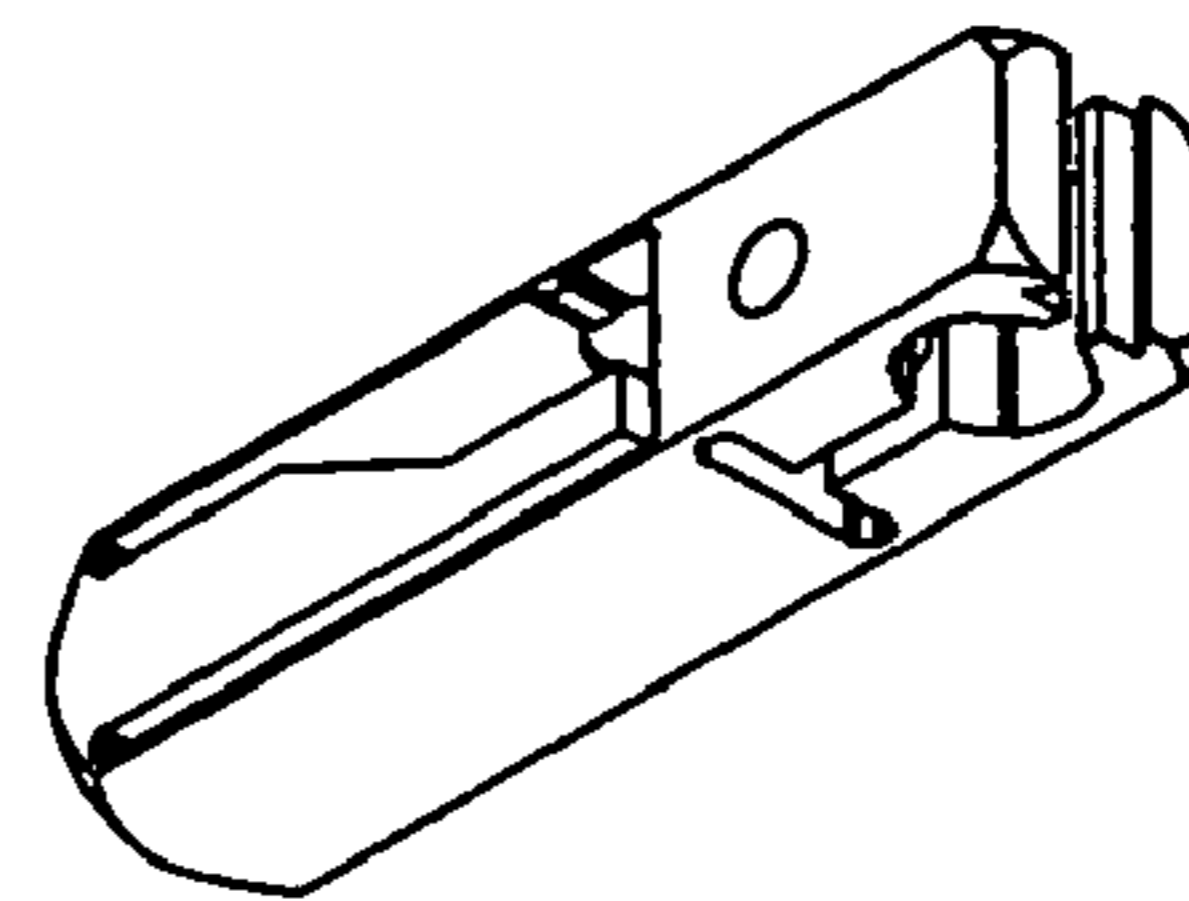


FIG. 8



FIG. 9



FIG. 12



FIG. 10



FIG. 13



FIG. 11



FIG. 14

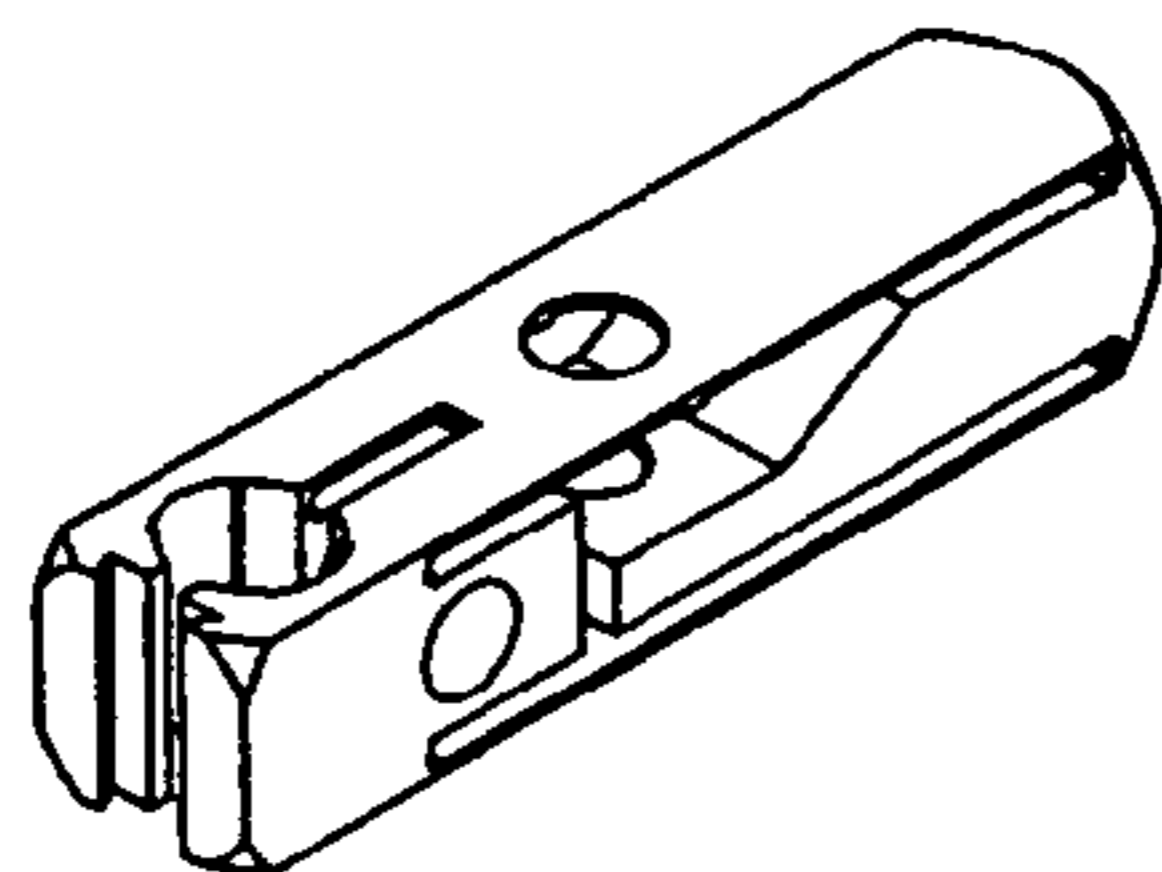


FIG. 15

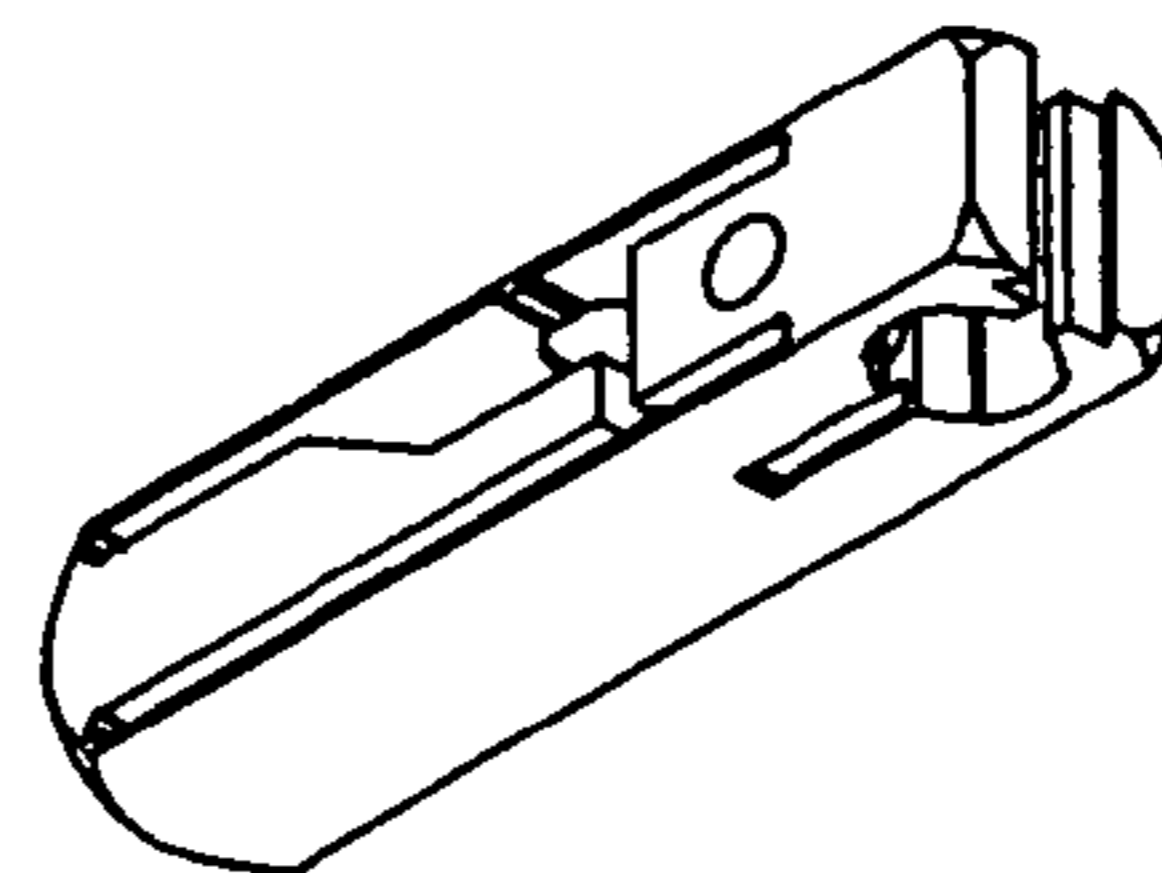


FIG. 16



FIG. 17

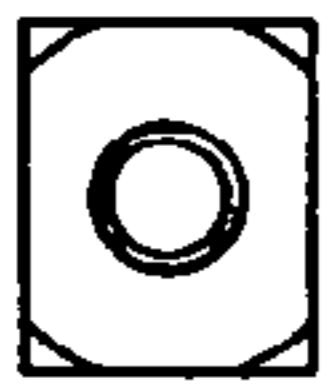


FIG. 20

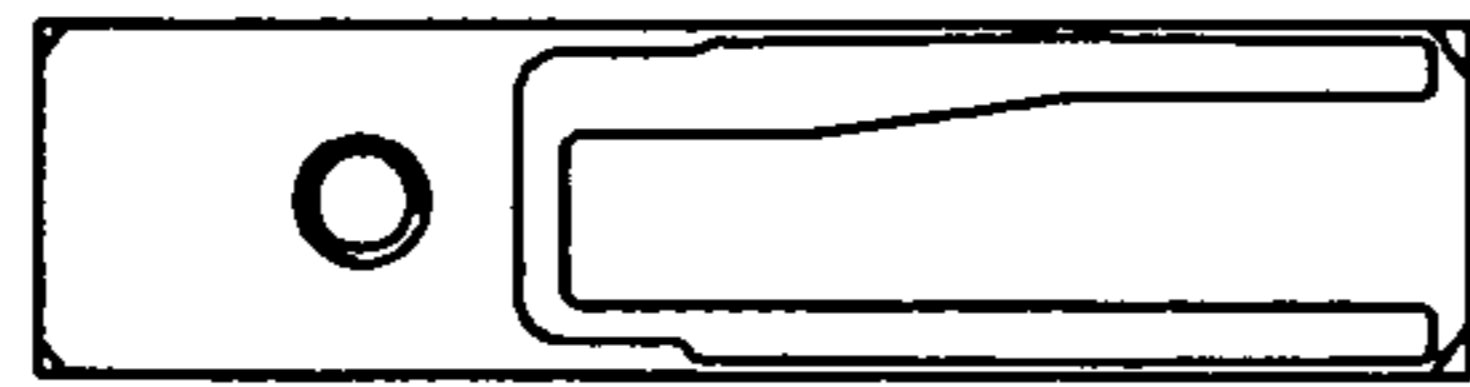


FIG. 18



FIG. 21

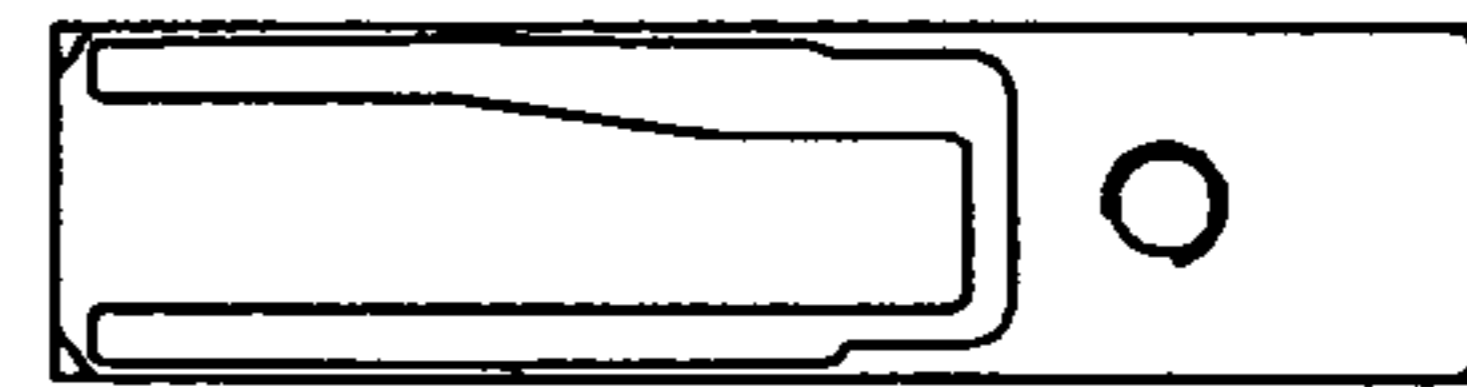


FIG. 19



FIG. 22

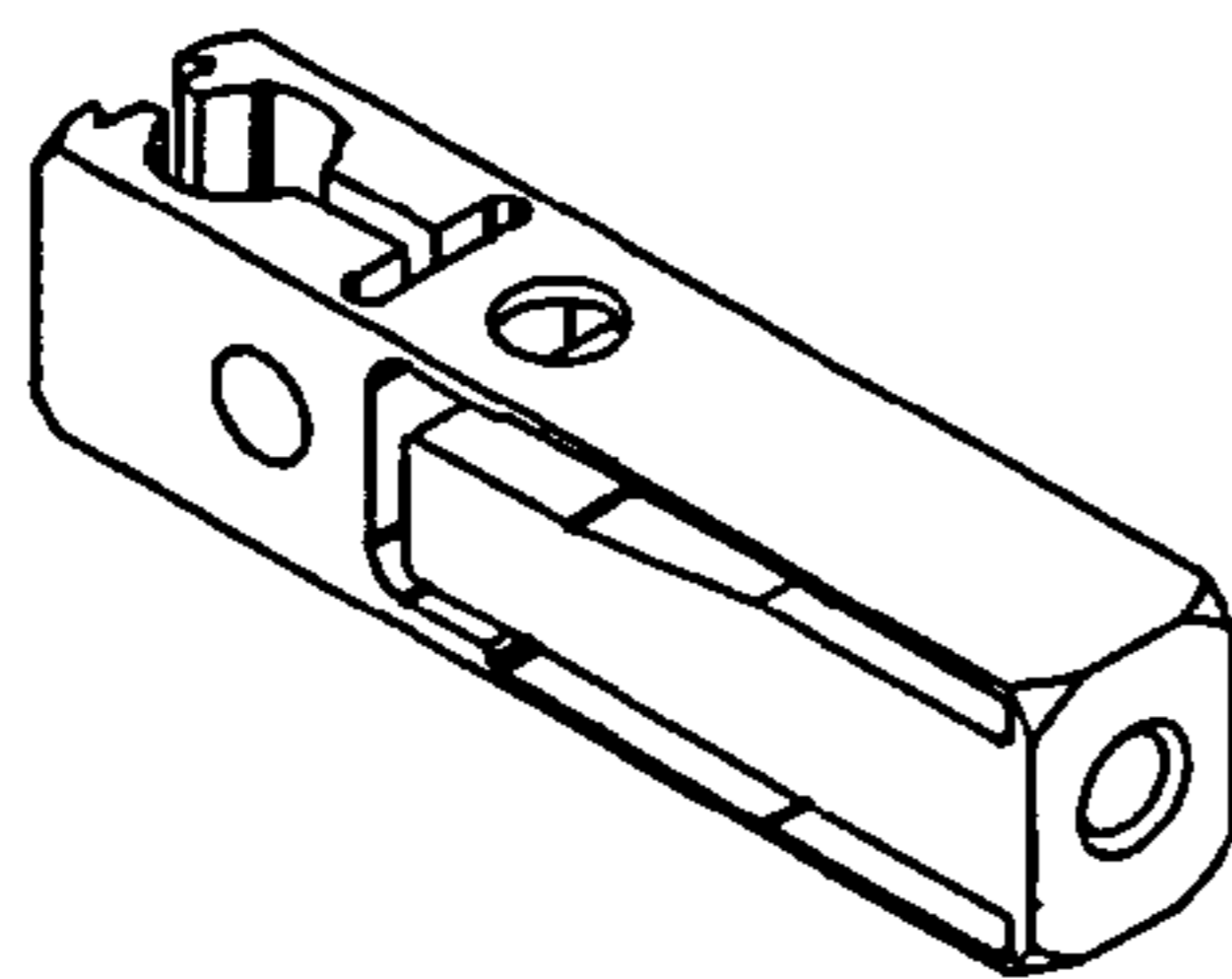


FIG. 23

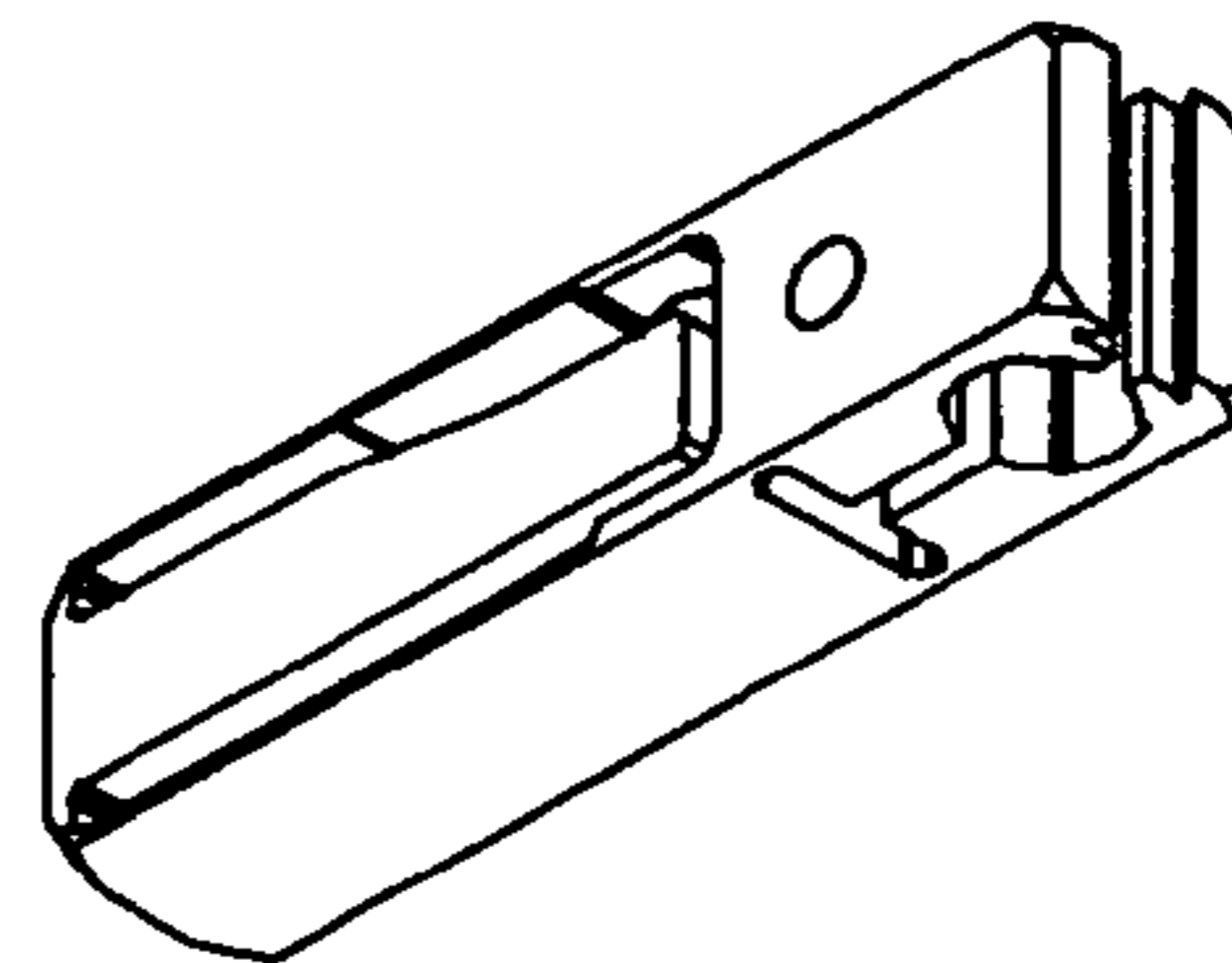


FIG. 24



FIG. 25



FIG. 28

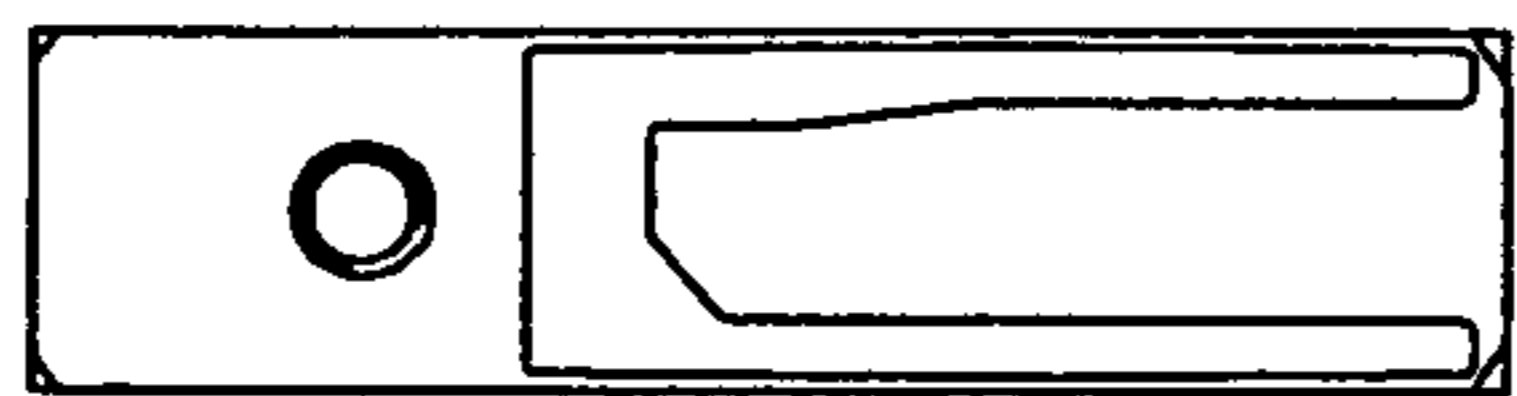


FIG. 26



FIG. 29

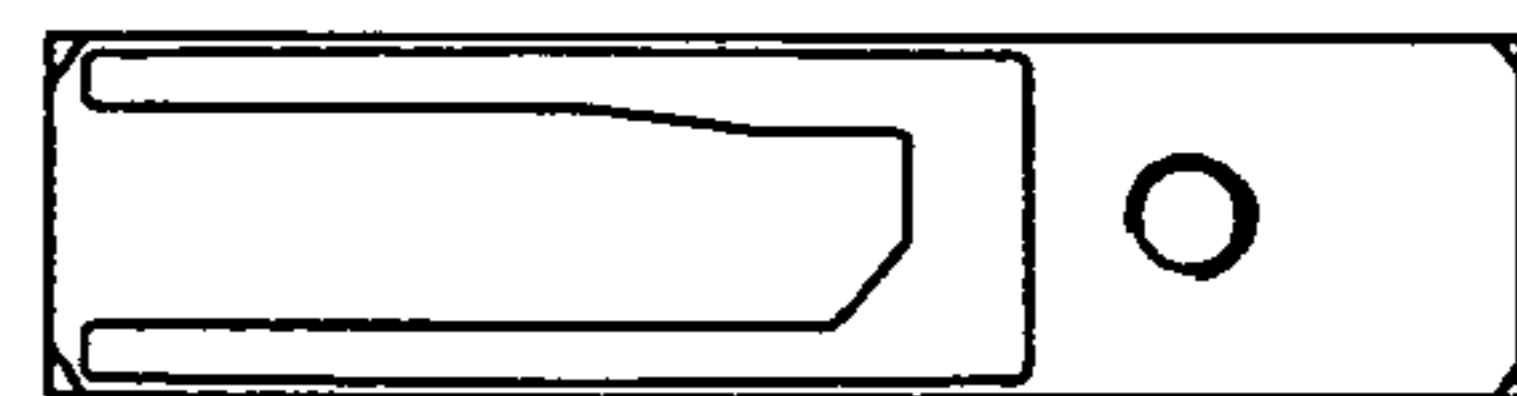


FIG. 27



FIG. 30

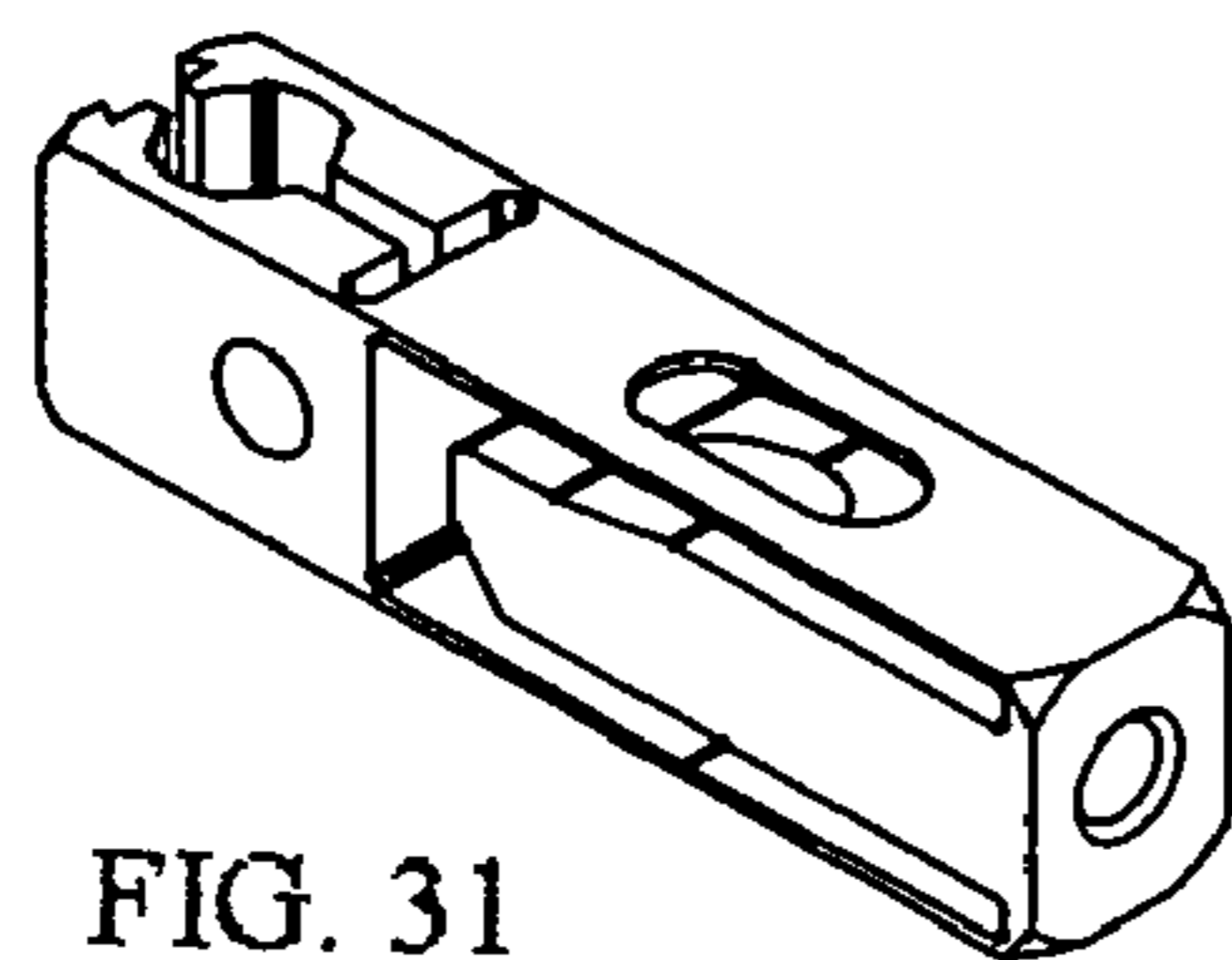


FIG. 31

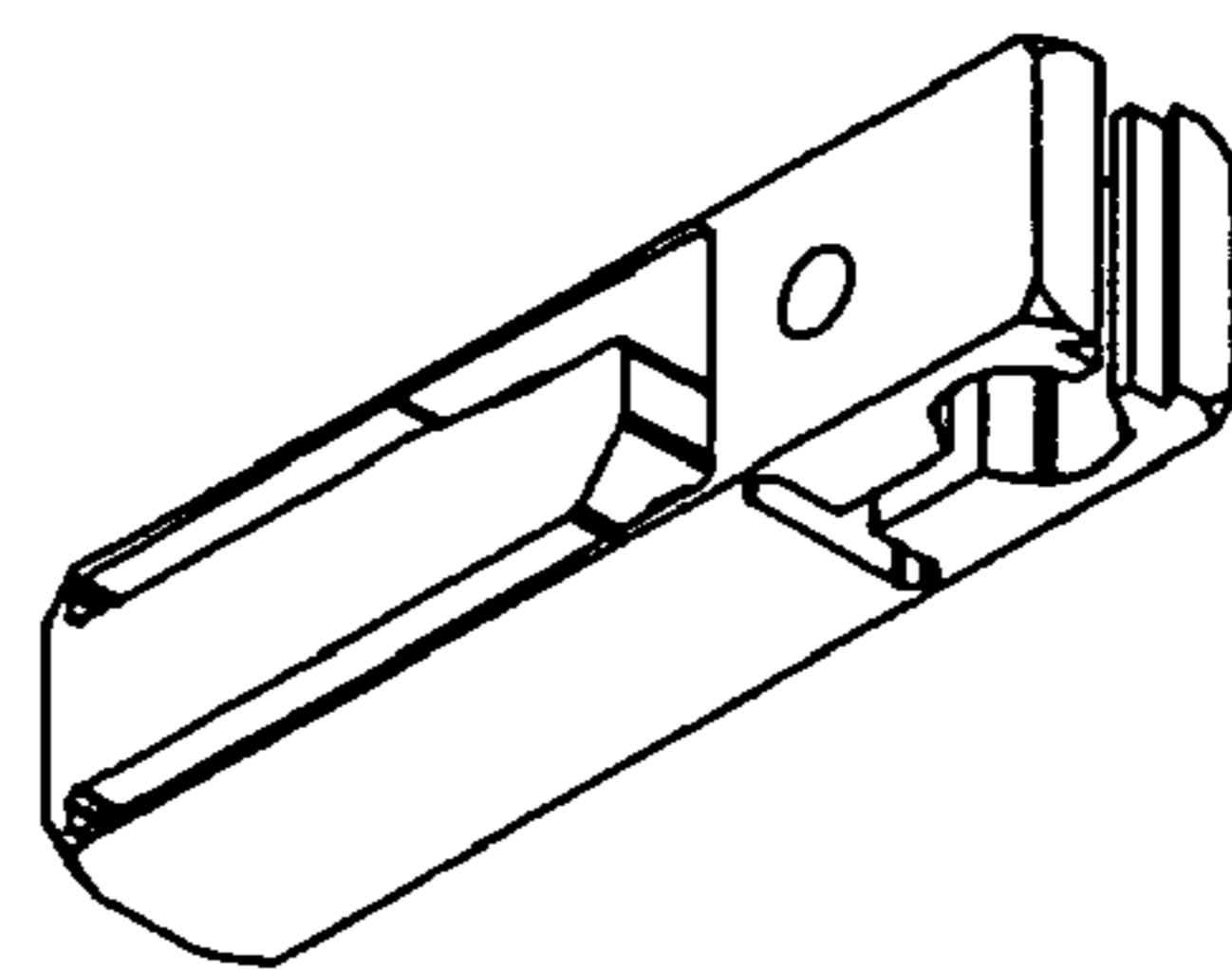


FIG. 32