

US00D562711S

(12) **United States Design Patent**
Snider

(10) **Patent No.:** **US D562,711 S**

(45) **Date of Patent:** **** Feb. 26, 2008**

(54) **LIGHT LINE GENERATING DEVICE**

(57) **CLAIM**

(75) Inventor: **Gregory S. Snider**, Bel Air, MD (US)

The ornamental design for a light line generating device, as shown and described.

(73) Assignee: **Black and Decker**, Newark, DE (US)

(**) Term: **14 Years**

(21) Appl. No.: **29/275,328**

(22) Filed: **Dec. 21, 2006**

(51) **LOC (8) Cl.** **10-04**

(52) **U.S. Cl.** **D10/69**

(58) **Field of Classification Search** D10/69;
33/365, 366.11-366.27, 367-391

See application file for complete search history.

DESCRIPTION

FIG. 1 is a front perspective view of a light line generating device according to an embodiment of the present invention; FIG. 2 is a rear perspective view of the light line generating device of FIG. 1;

FIG. 3 is a right side view in elevation of the light line generating device of FIG. 1;

FIG. 4 is a left side view in elevation of the light line generating device of FIG. 1;

FIG. 5 is a top view in plan of the light line generating device of FIG. 1;

FIG. 6 is a bottom view in plan of the light line generating device of FIG. 1;

FIG. 7 is a front view in elevation of the light line generating device of FIG. 1; and,

FIG. 8 is a rear view in elevation of the light line generating device of FIG. 1.

(56) **References Cited**

U.S. PATENT DOCUMENTS

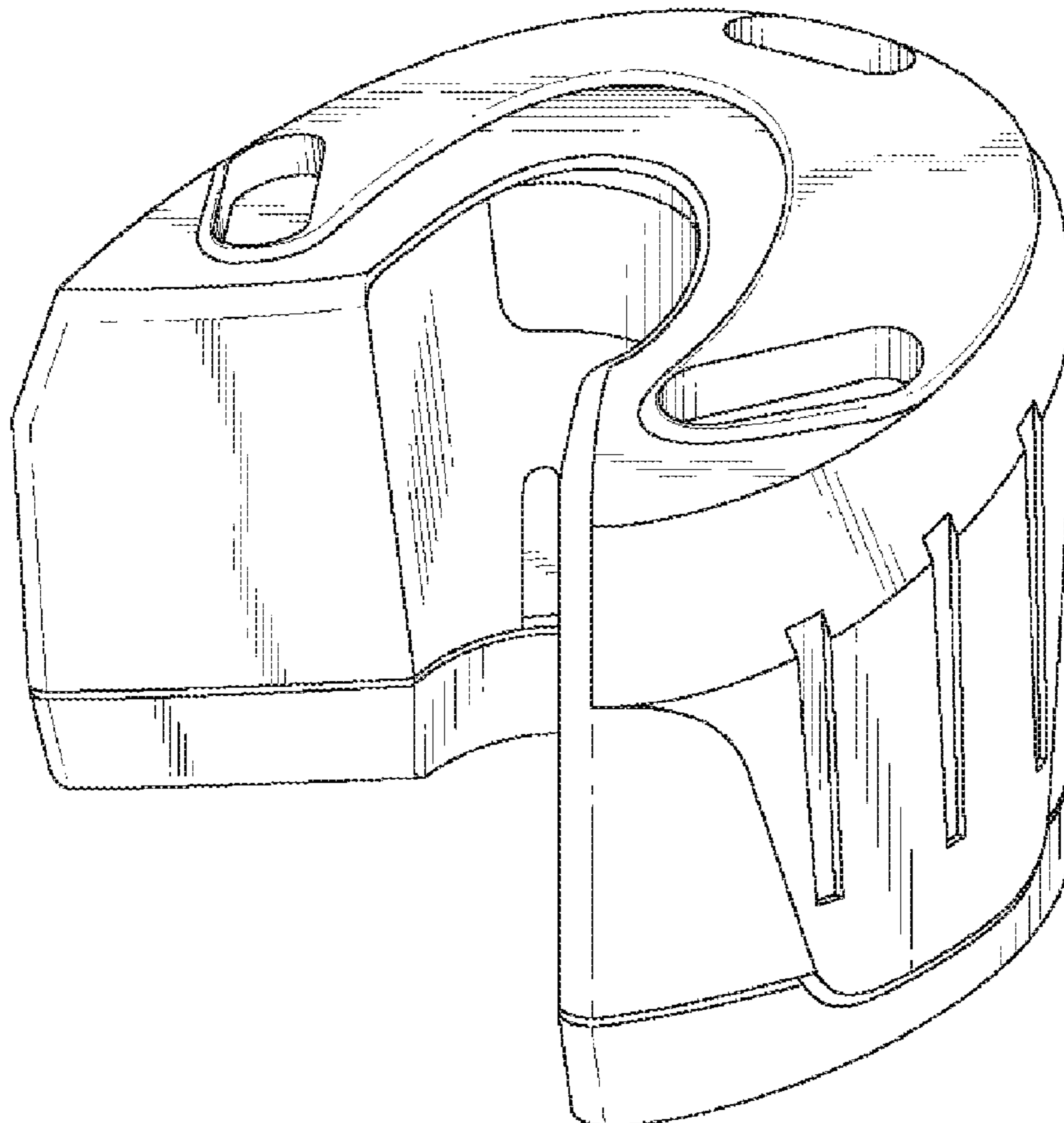
6,963,284 B2 * 11/2005 Leasure 340/612

* cited by examiner

Primary Examiner—Antoine D. Davis

(74) *Attorney, Agent, or Firm*—Edell, Shapiro & Finnan, LLC

1 Claim, 8 Drawing Sheets



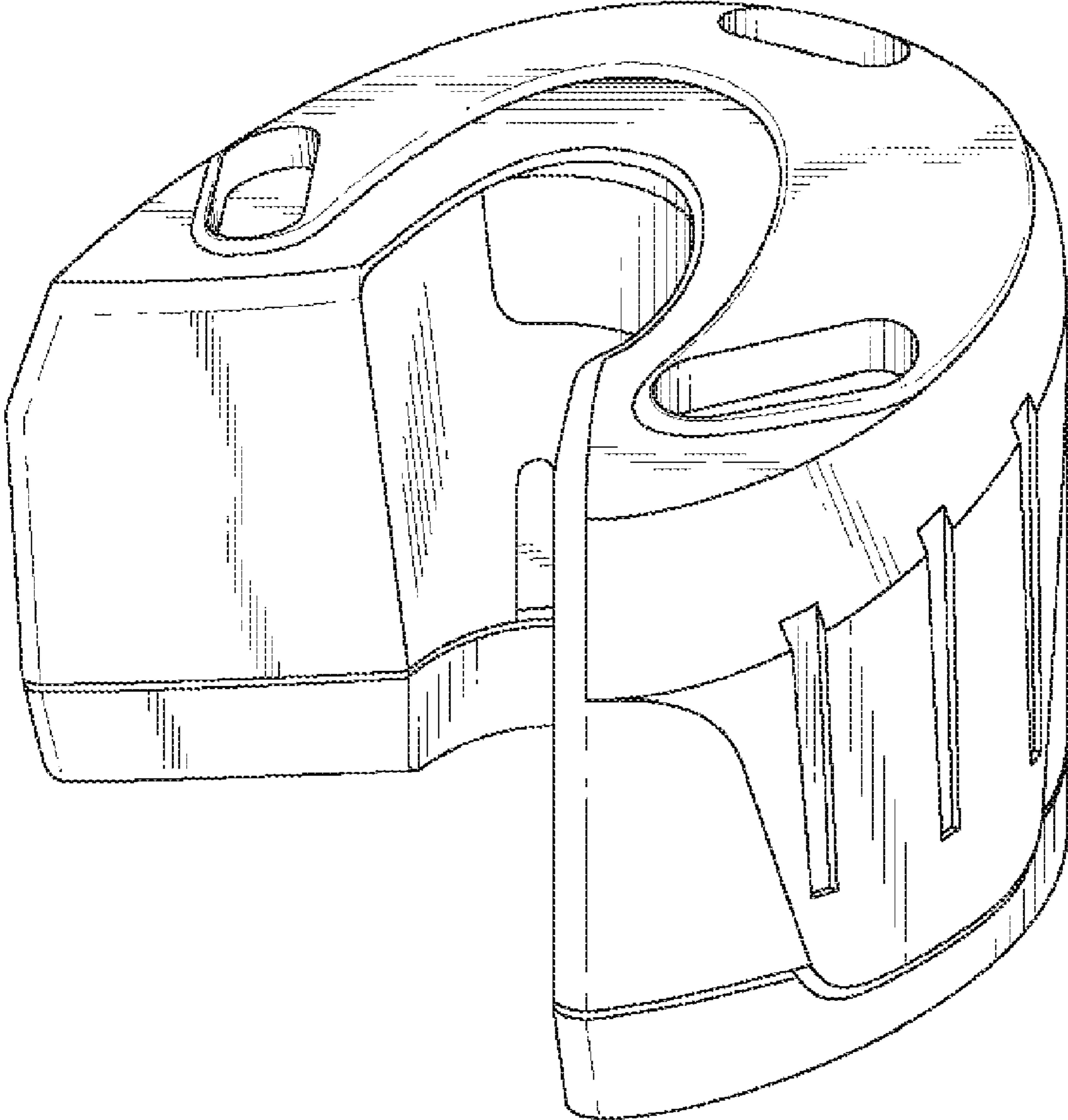


FIG.1

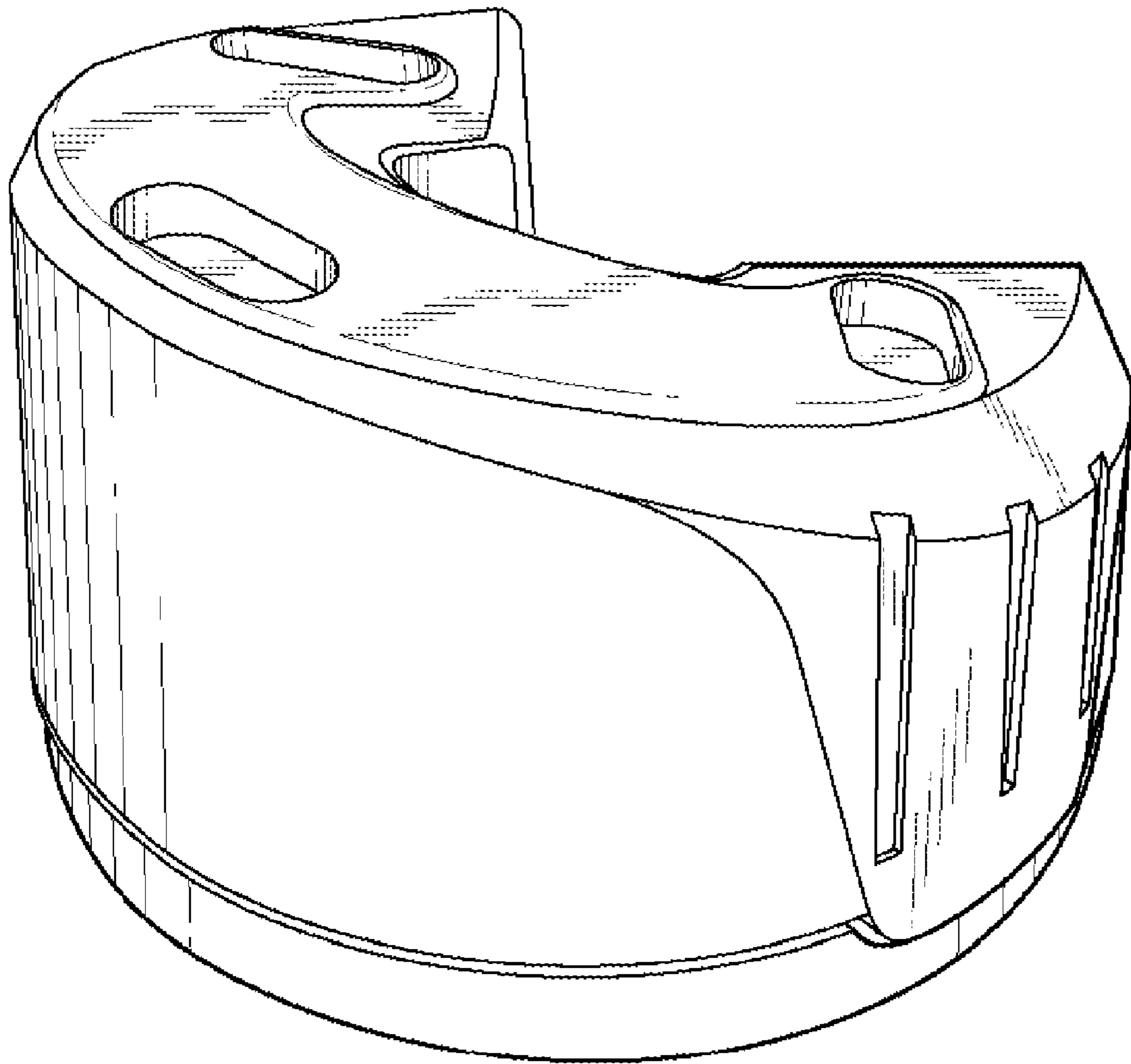


FIG.2

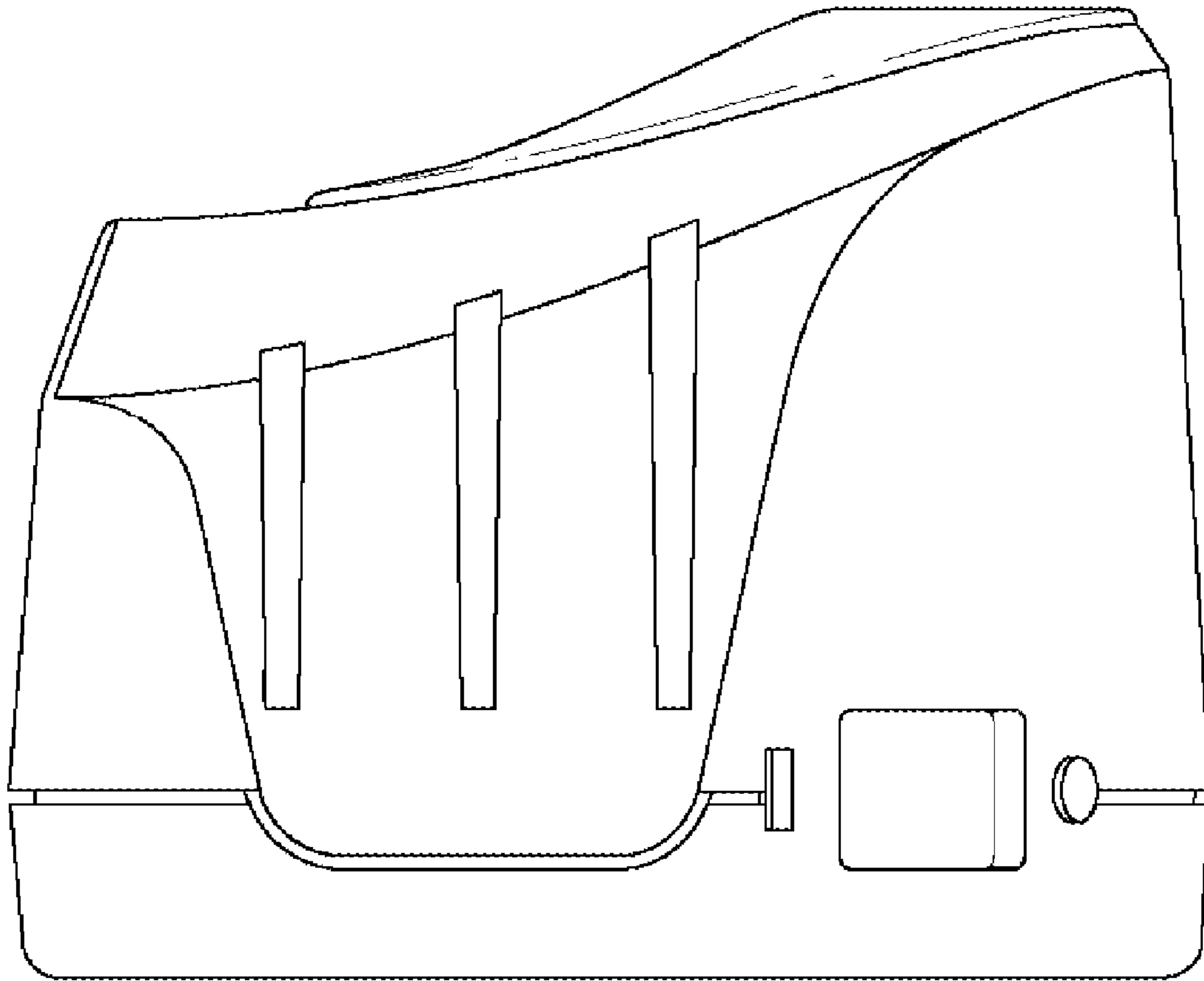


FIG.3

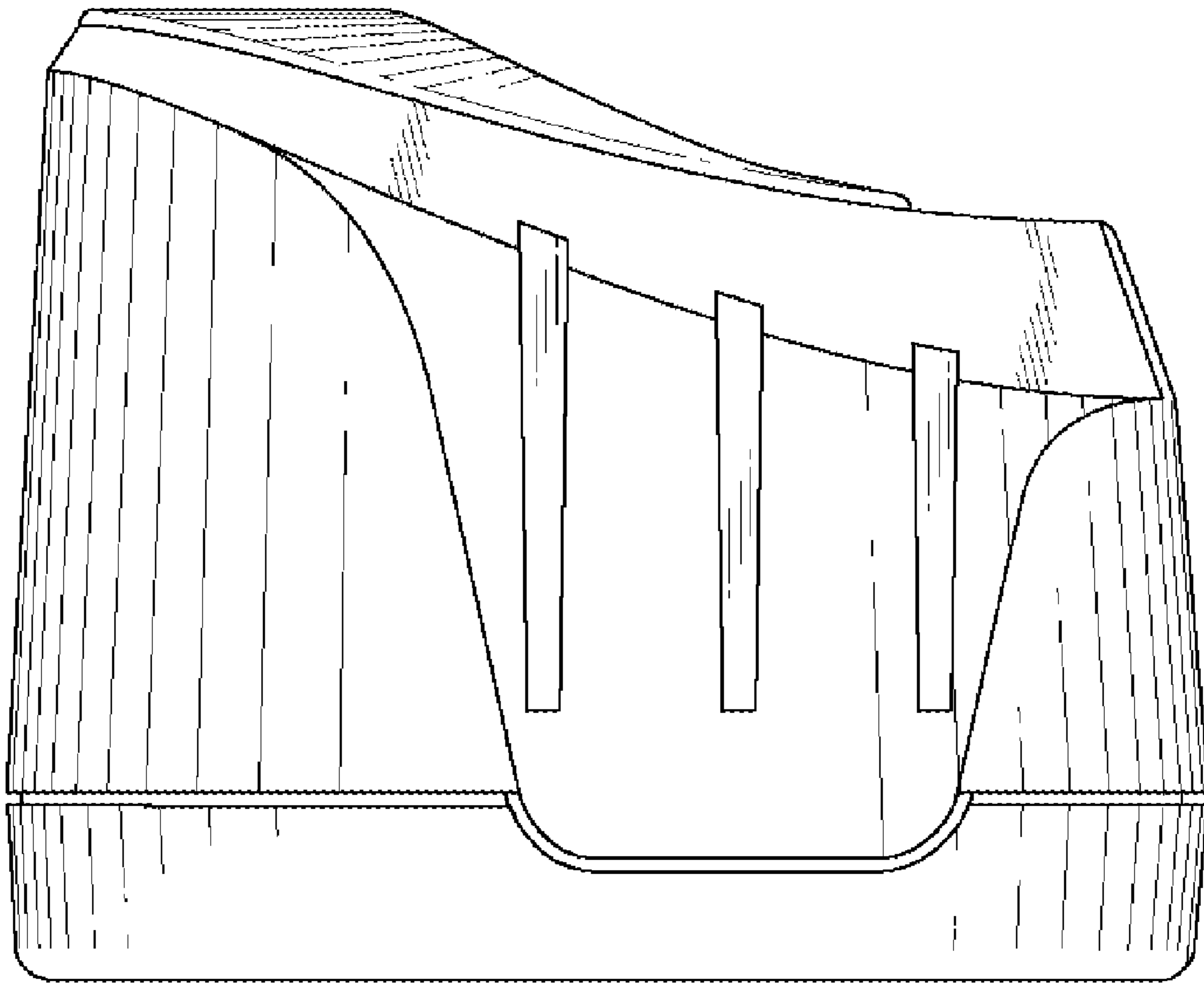


FIG.4

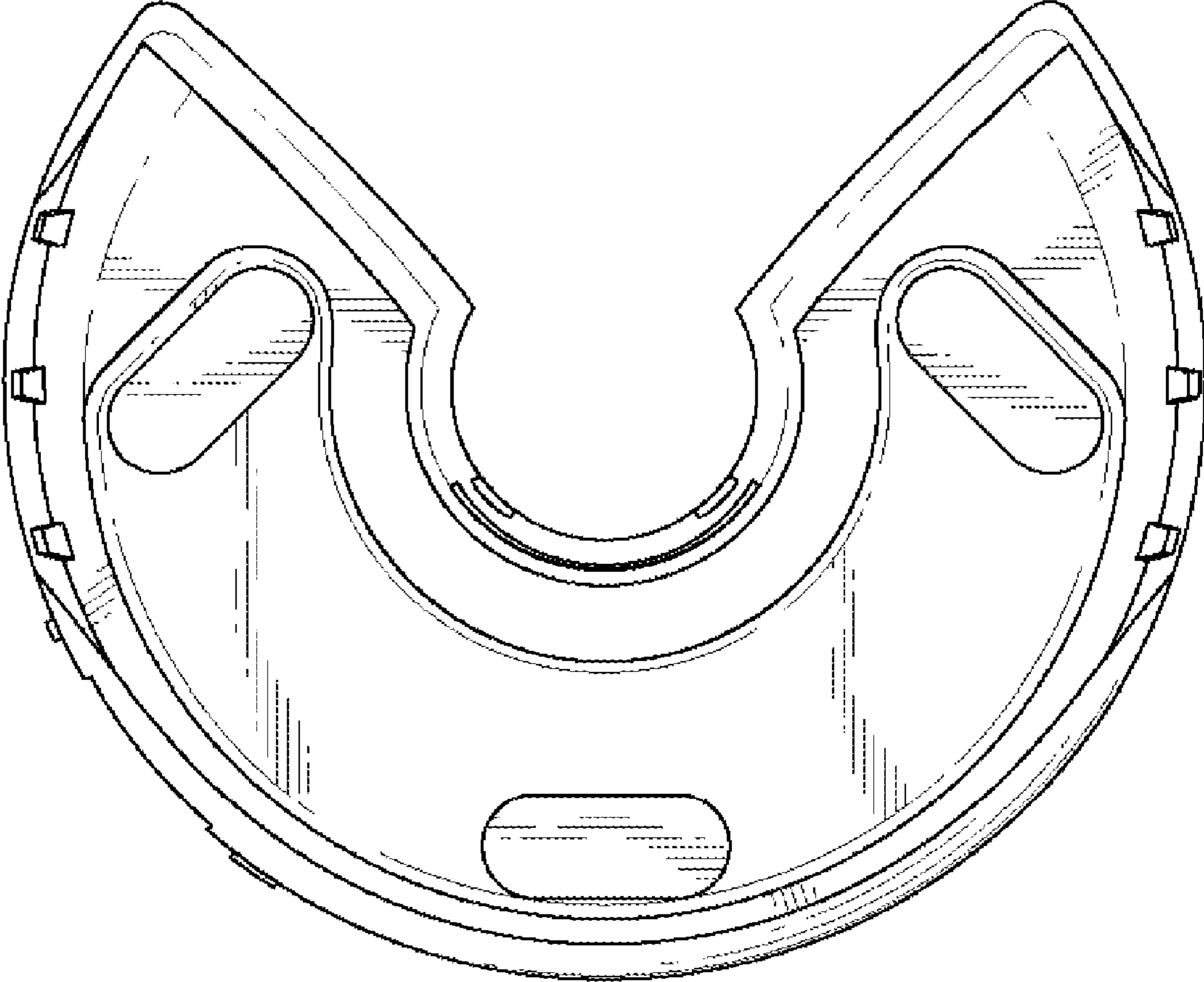


FIG.5

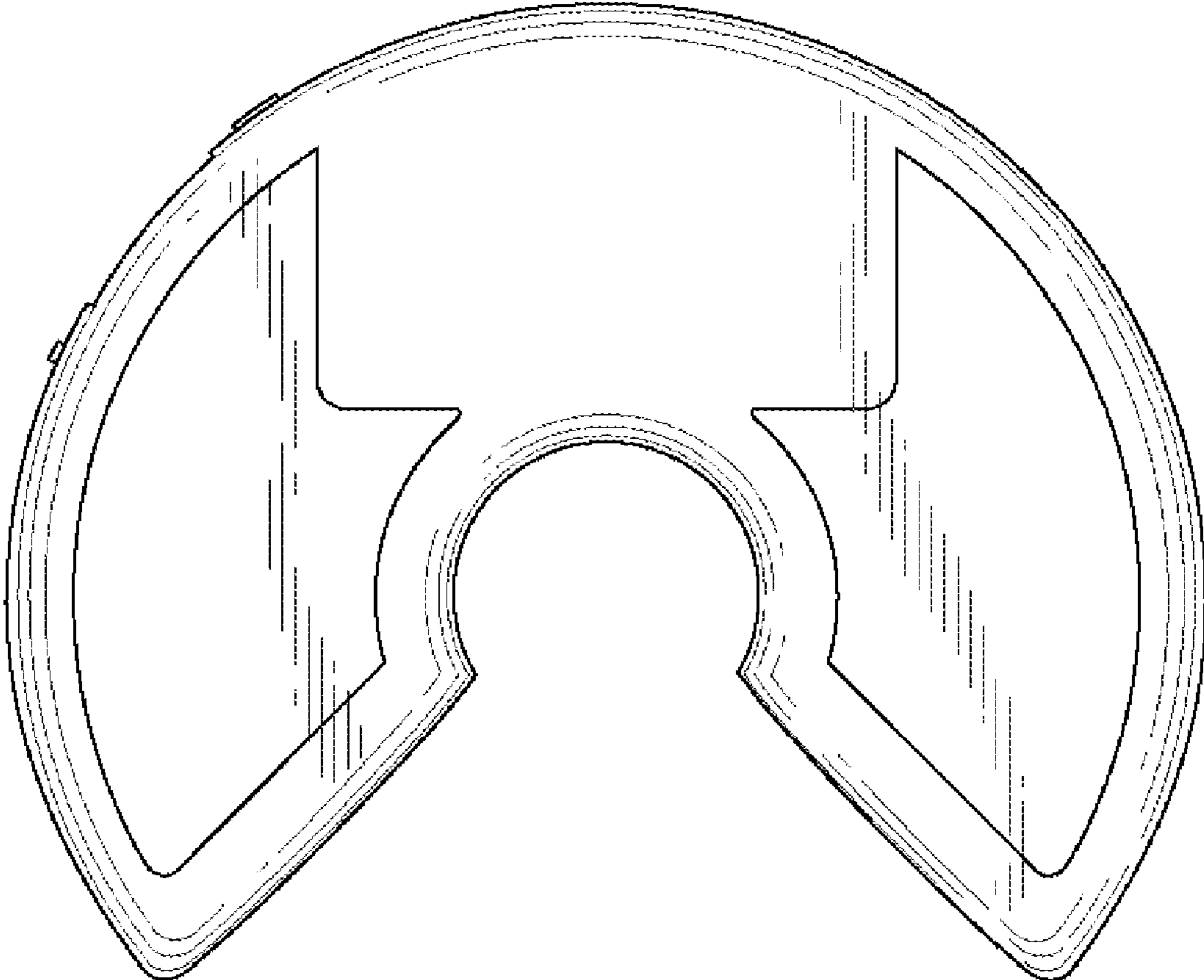


FIG.6

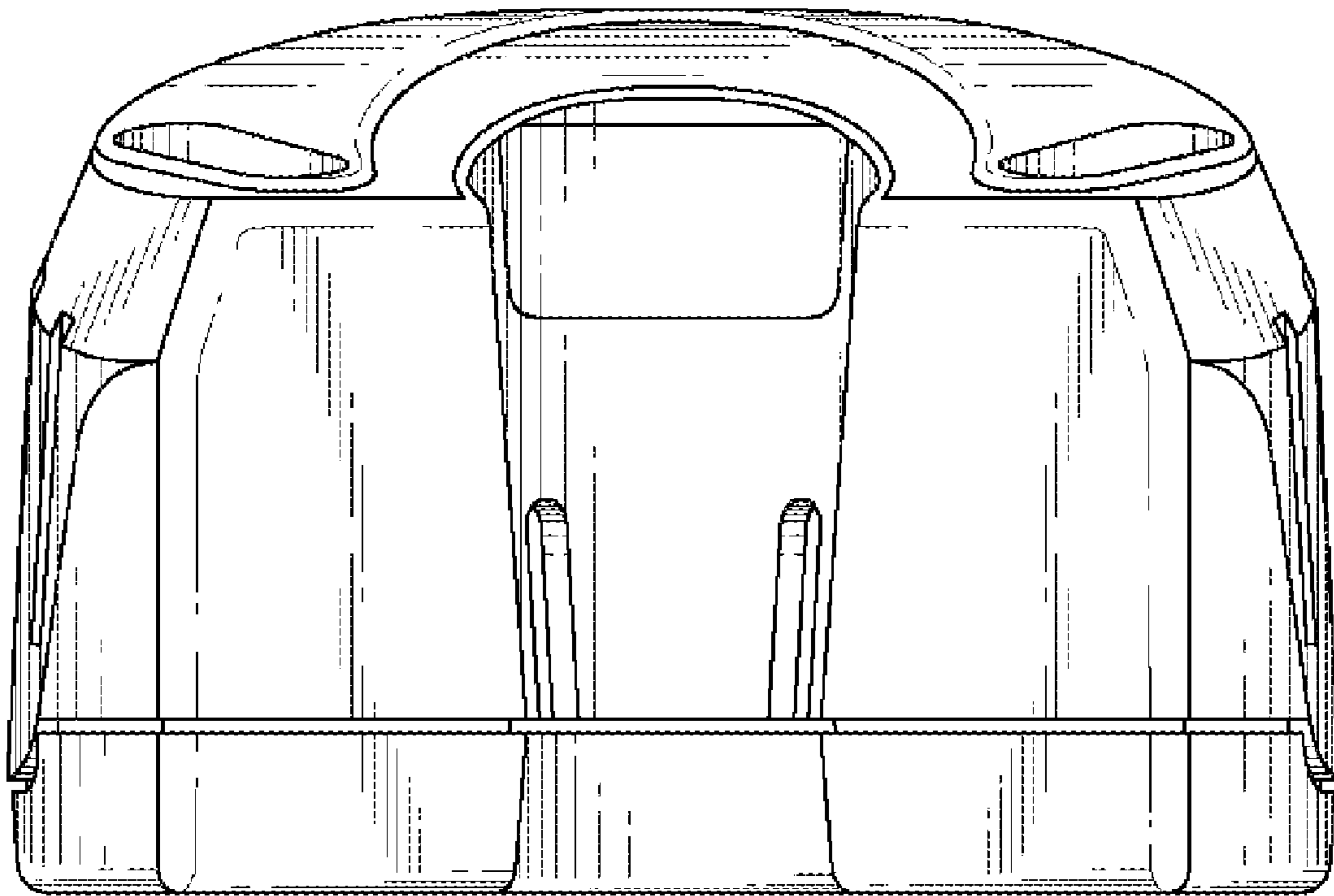


FIG.7

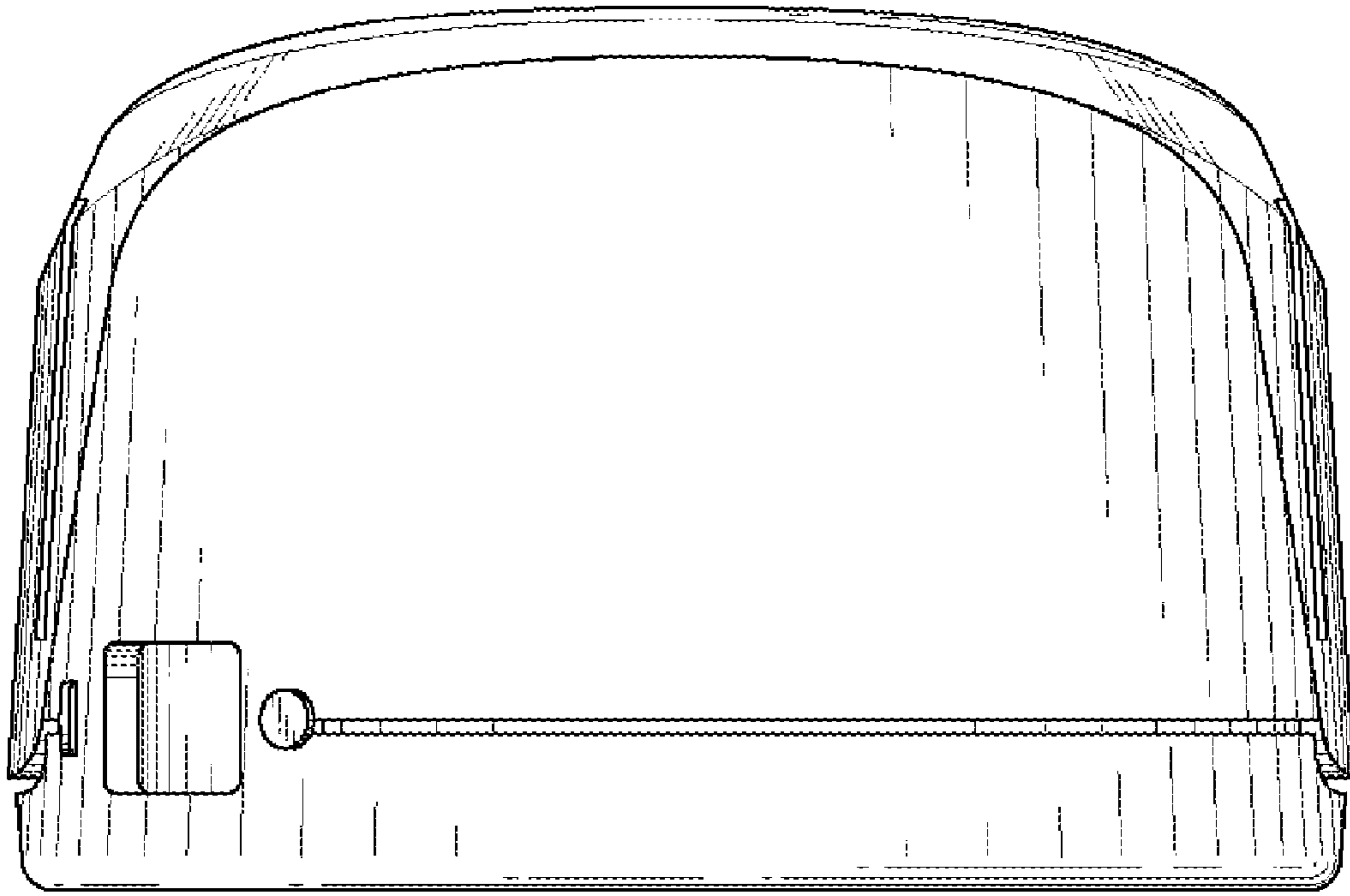


FIG.8