



US00D562710S

(12) **United States Design Patent**
Lim

(10) **Patent No.:** **US D562,710 S**

(45) **Date of Patent:** **** Feb. 26, 2008**

(54) **LEVELING INSTRUMENT**

(76) **Inventor:** **Woo-Seok Lim**, 101-306, Jungheung
A.P.T., 855-5 Shinchang-dong,
Gwangsan-gu, Gwangju-si, 506-306
(KR)

(**) **Term:** **14 Years**

(21) **Appl. No.:** **29/268,850**

(22) **Filed:** **Nov. 14, 2006**

(51) **LOC (8) Cl.** **10-04**

(52) **U.S. Cl.** **D10/69**

(58) **Field of Classification Search** D10/69;
33/365, 366.11-366.27, 367-391
See application file for complete search history.

(56) **References Cited**

U.S. PATENT DOCUMENTS

D189,590 S *	1/1961	White	D10/62
2,998,655 A *	9/1961	White	33/340
3,009,254 A *	11/1961	Youngs	33/379

* cited by examiner

Primary Examiner—Antoine D. Davis

(74) *Attorney, Agent, or Firm*—Ladas & Parry LLP

(57) **CLAIM**

The ornamental design for leveling instrument, as shown and described.

DESCRIPTION

FIG. 1 is a perspective view of a leveling instrument of the new design;

FIG. 2 is a front view thereof;

FIG. 3 is a rear view thereof;

FIG. 4 is a light side view thereof;

FIG. 5 is a left side view thereof;

FIG. 6 is a top plan view thereof; and,

FIG. 7 is a bottom plan view thereof.

1 Claim, 2 Drawing Sheets

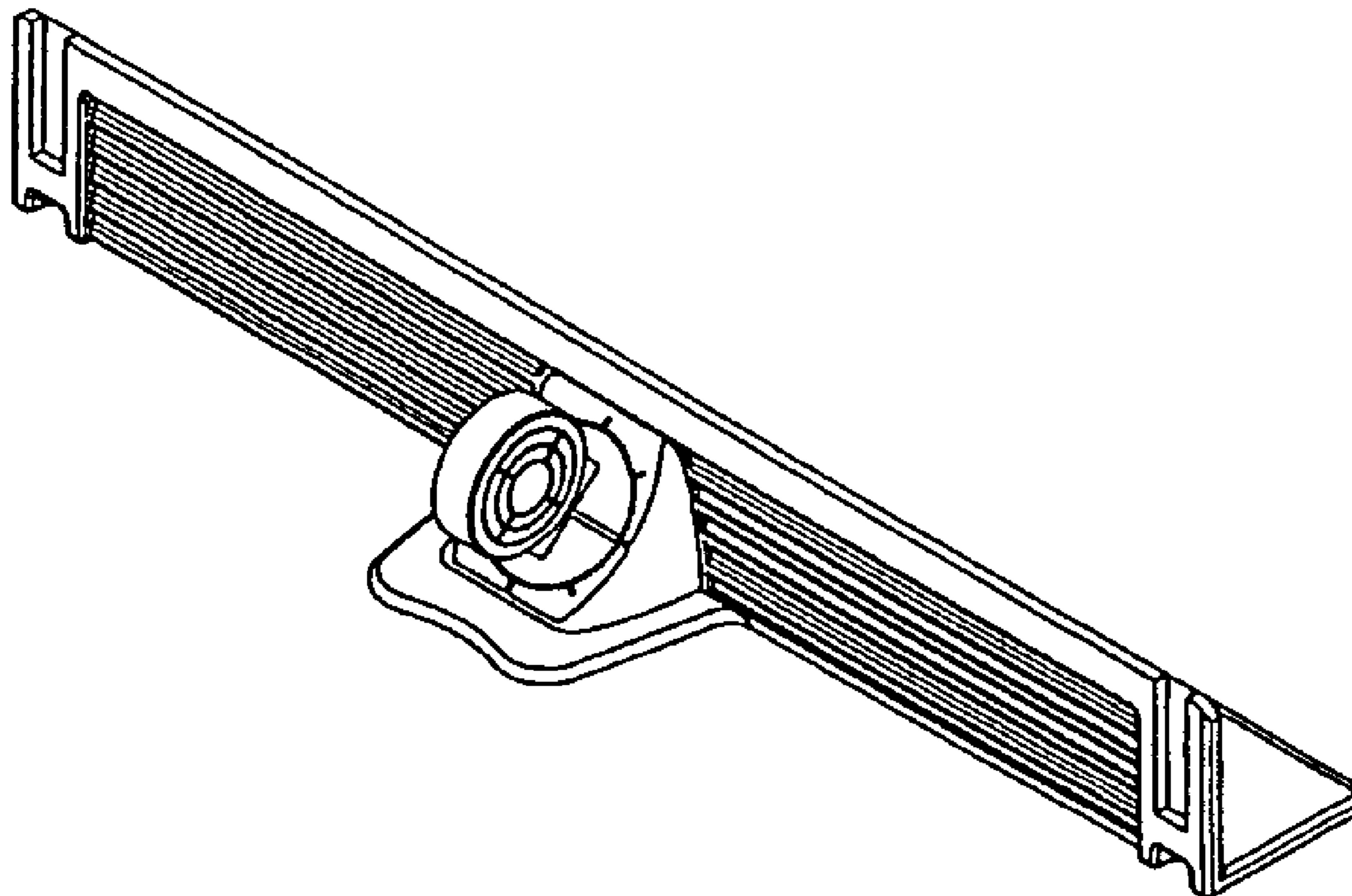


FIG. 1

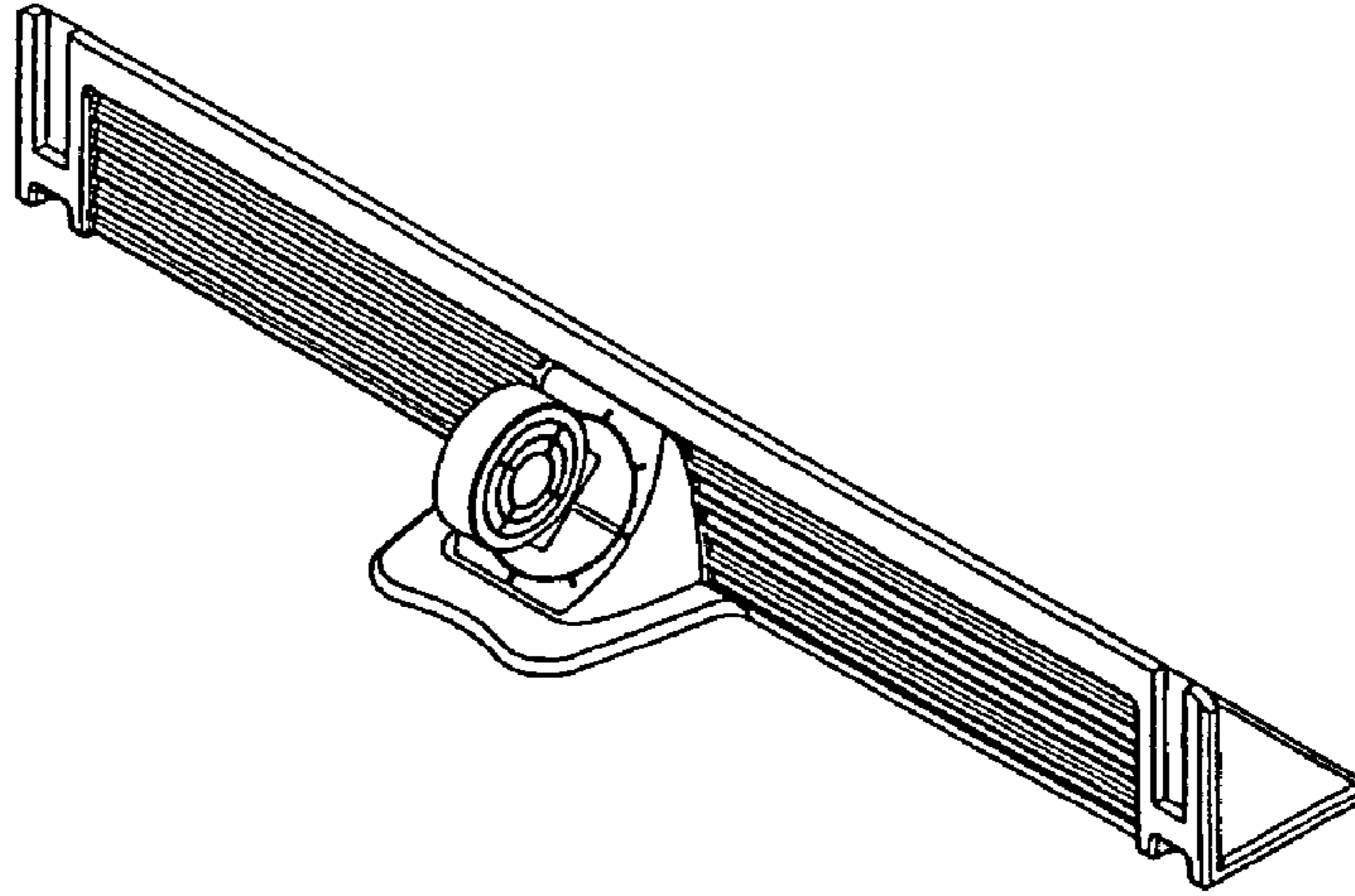


FIG. 2

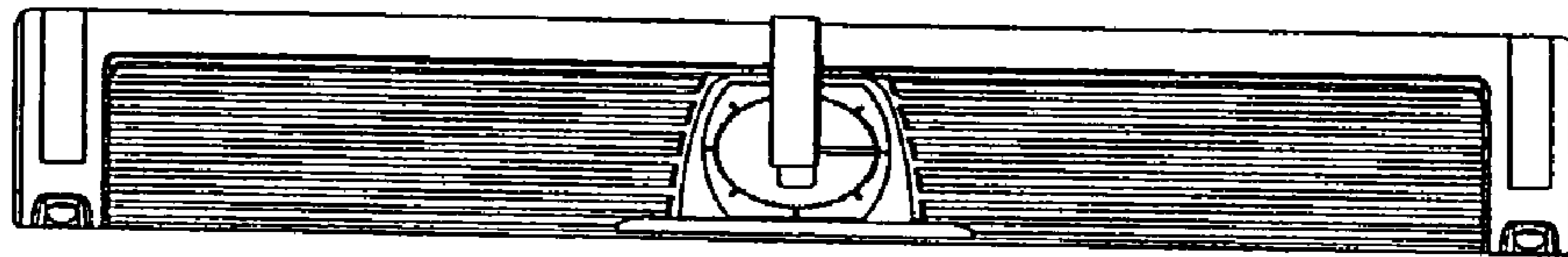


FIG. 3

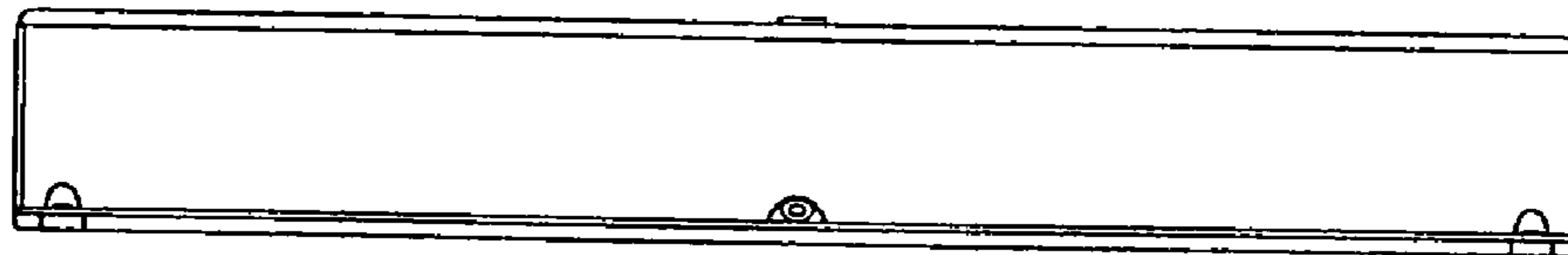


FIG. 4

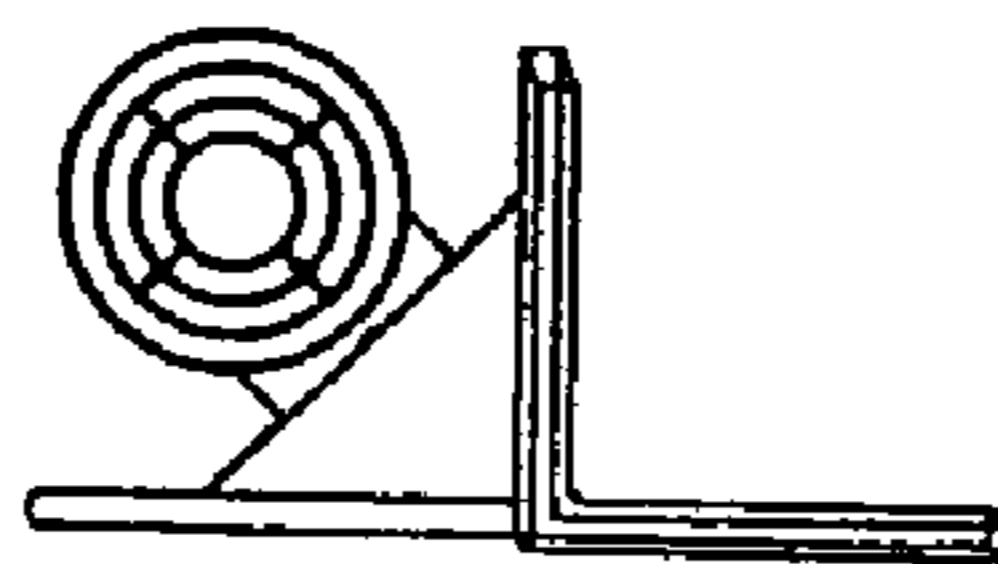


FIG. 5

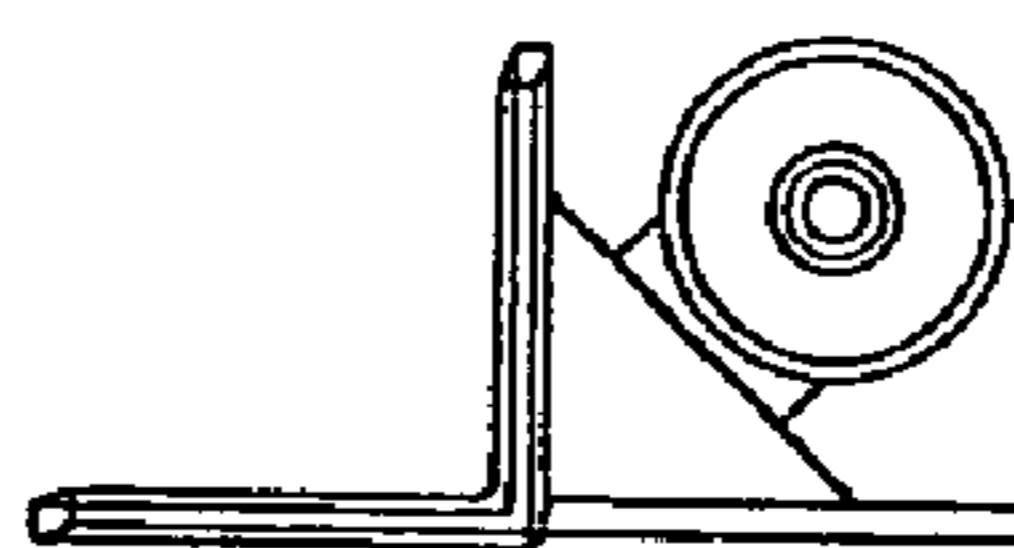


FIG. 6

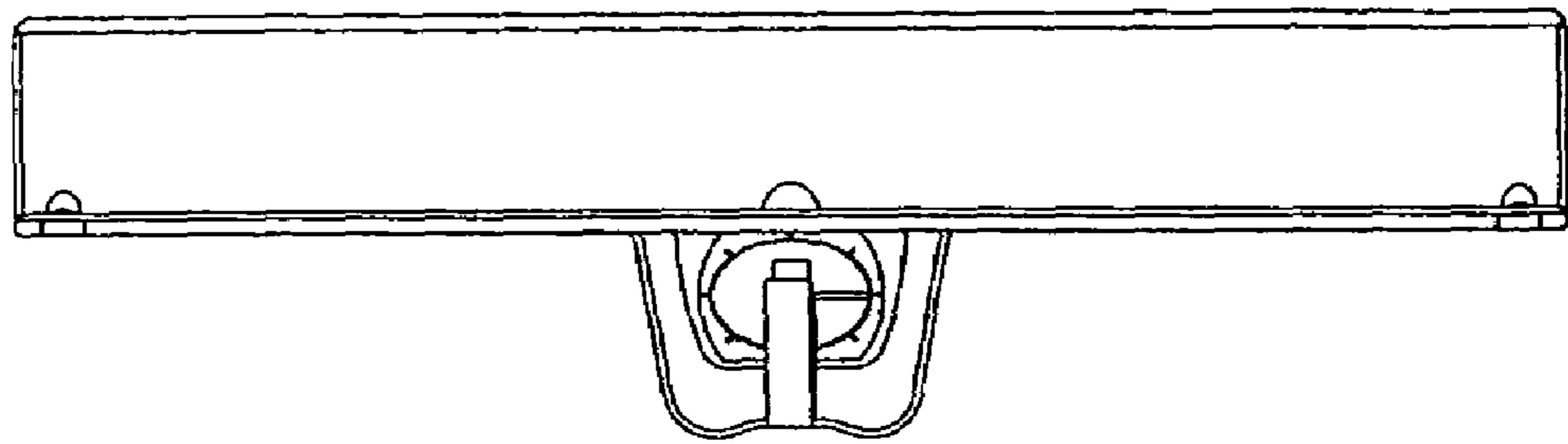


FIG. 7

