



US00D562709S

(12) **United States Design Patent**
Sterpka et al.

(10) **Patent No.:** **US D562,709 S**

(45) **Date of Patent:** **** Feb. 26, 2008**

(54) **DIGITAL PROTRACTOR**

(75) Inventors: **Frank Sterpka**, West Hartford, CT
(US); **Bonnie Santarsiero**, Avon, CT
(US)

(73) Assignee: **Credo Technology Corporation**,
Wilmington, DE (US)

(**) Term: **14 Years**

(21) Appl. No.: **29/278,114**

(22) Filed: **Mar. 20, 2007**

(51) **LOC (8) Cl.** **10-04**

(52) **U.S. Cl.** **D10/65; D10/70**

(58) **Field of Classification Search** D10/65,
D10/70; 33/451, 286, 365, 366.11
See application file for complete search history.

(56) **References Cited**

U.S. PATENT DOCUMENTS

D335,634 S * 5/1993 Yau D10/65
7,204,030 B1 * 4/2007 Kattar 33/451

* cited by examiner

Primary Examiner—Antoine D. Davis

(74) *Attorney, Agent, or Firm*—Victor A. Henzi

(57) **CLAIM**

The ornamental design for the digital protractor, as shown and described.

DESCRIPTION

FIG. 1 is a front left perspective view of the digital protractor;

FIG. 2 is a front elevational view thereof;

FIG. 3 is a rear elevational view thereof;

FIG. 4 is a right elevational view thereof;

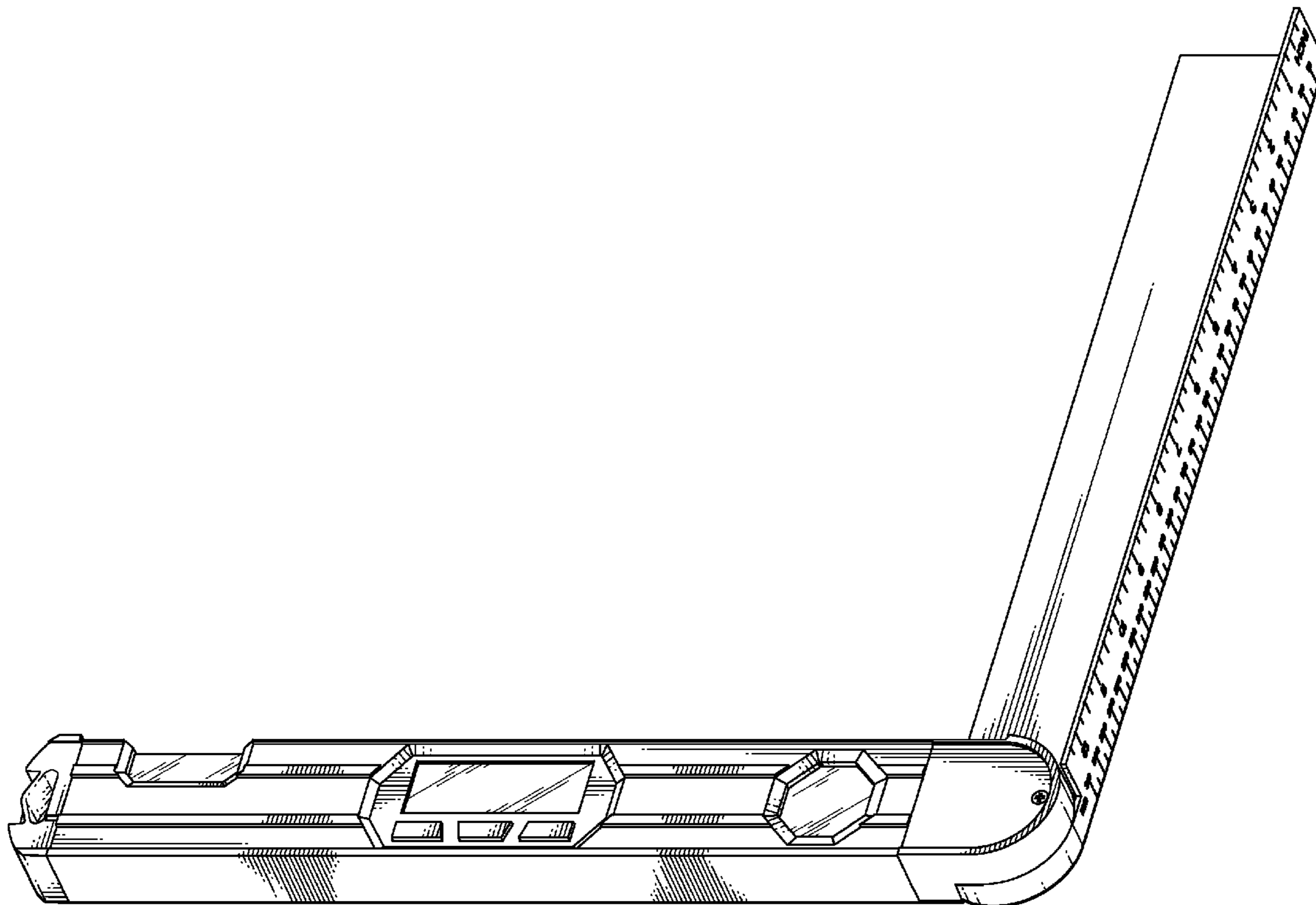
FIG. 5 is a left elevational view thereof;

FIG. 6 is a top plan view thereof;

FIG. 7 is a bottom plan view thereof; and,

FIG. 8 is a front left perspective view of the digital protractor in an alternate position.

1 Claim, 6 Drawing Sheets



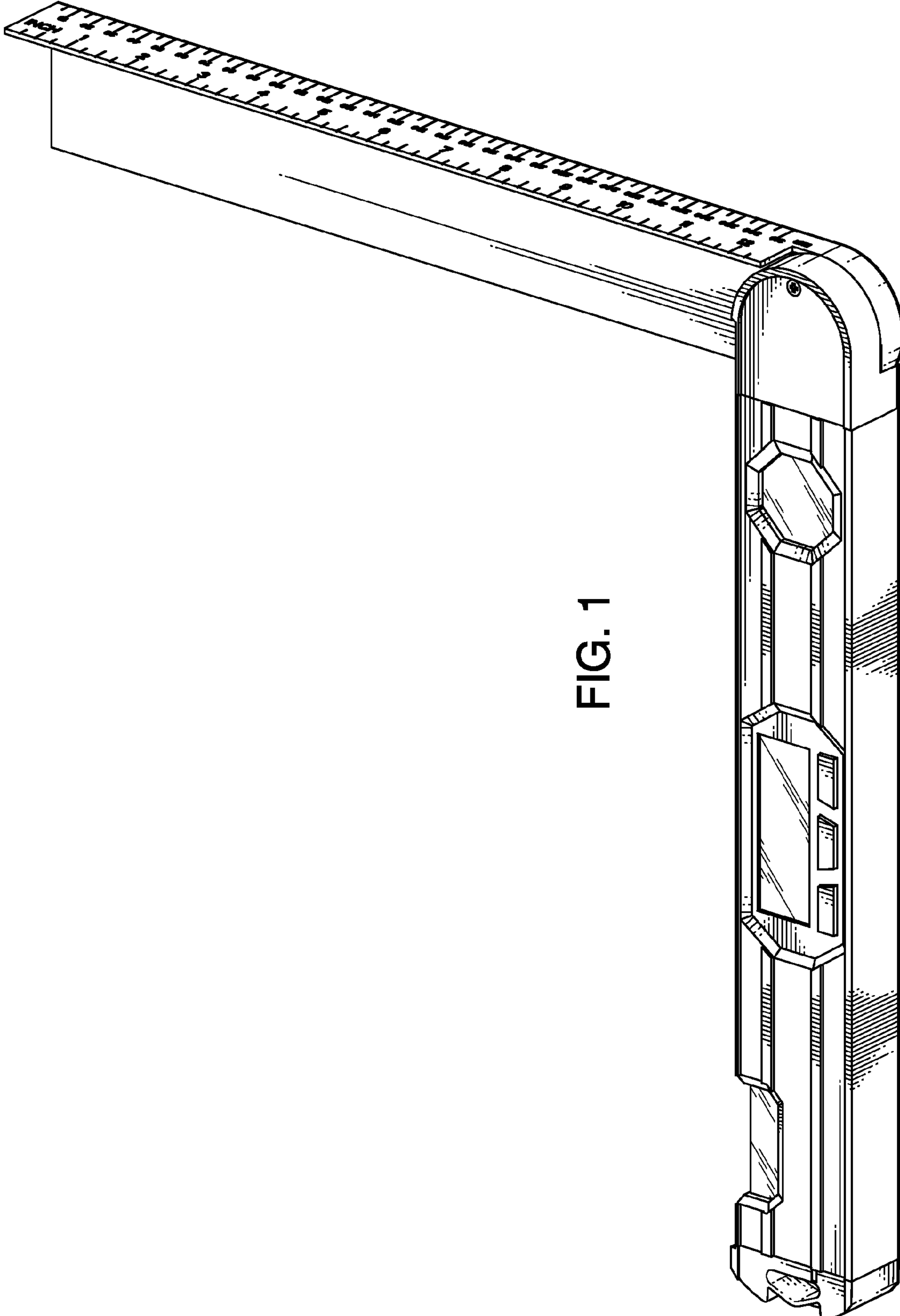
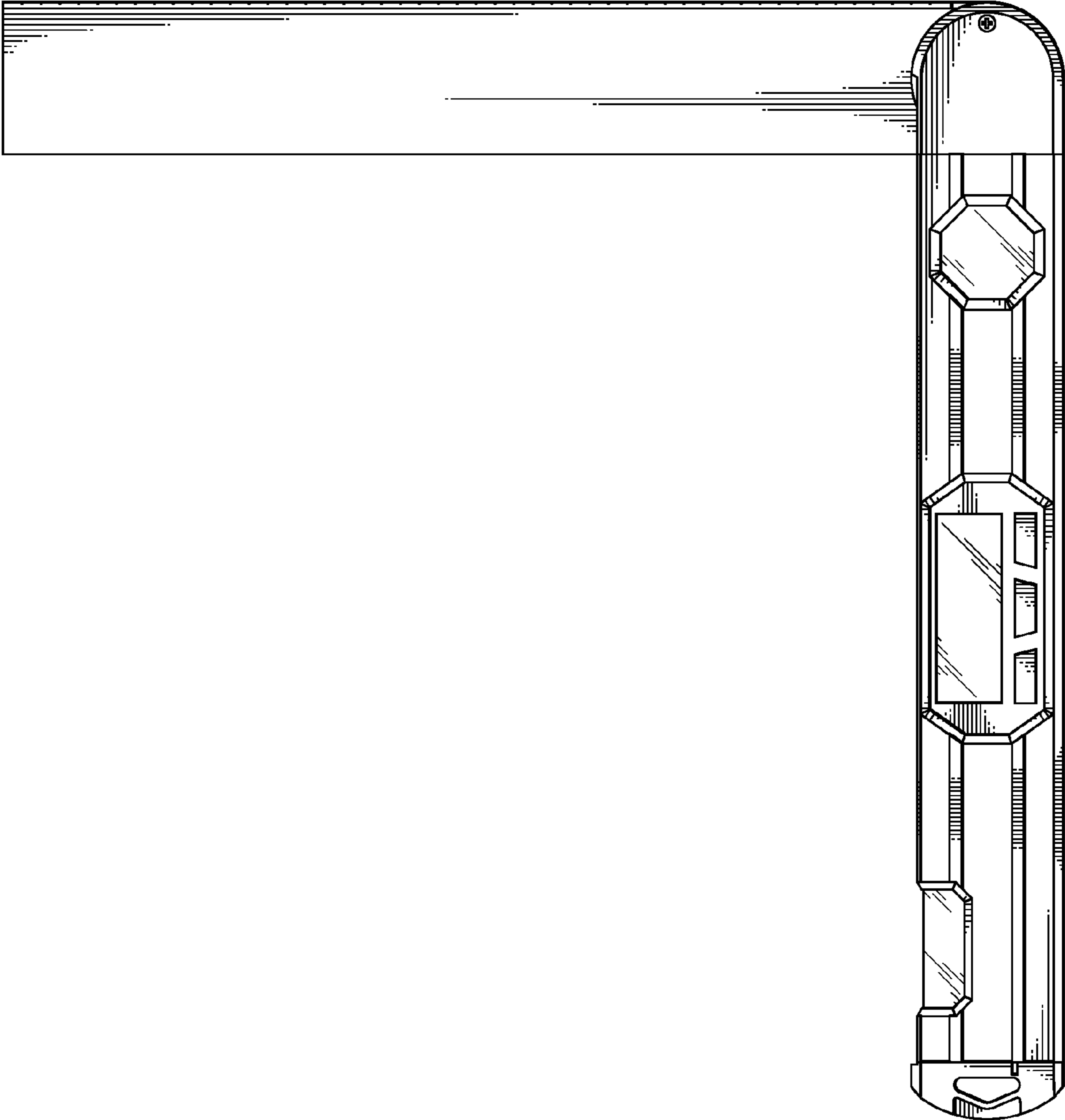


FIG. 1

FIG. 2



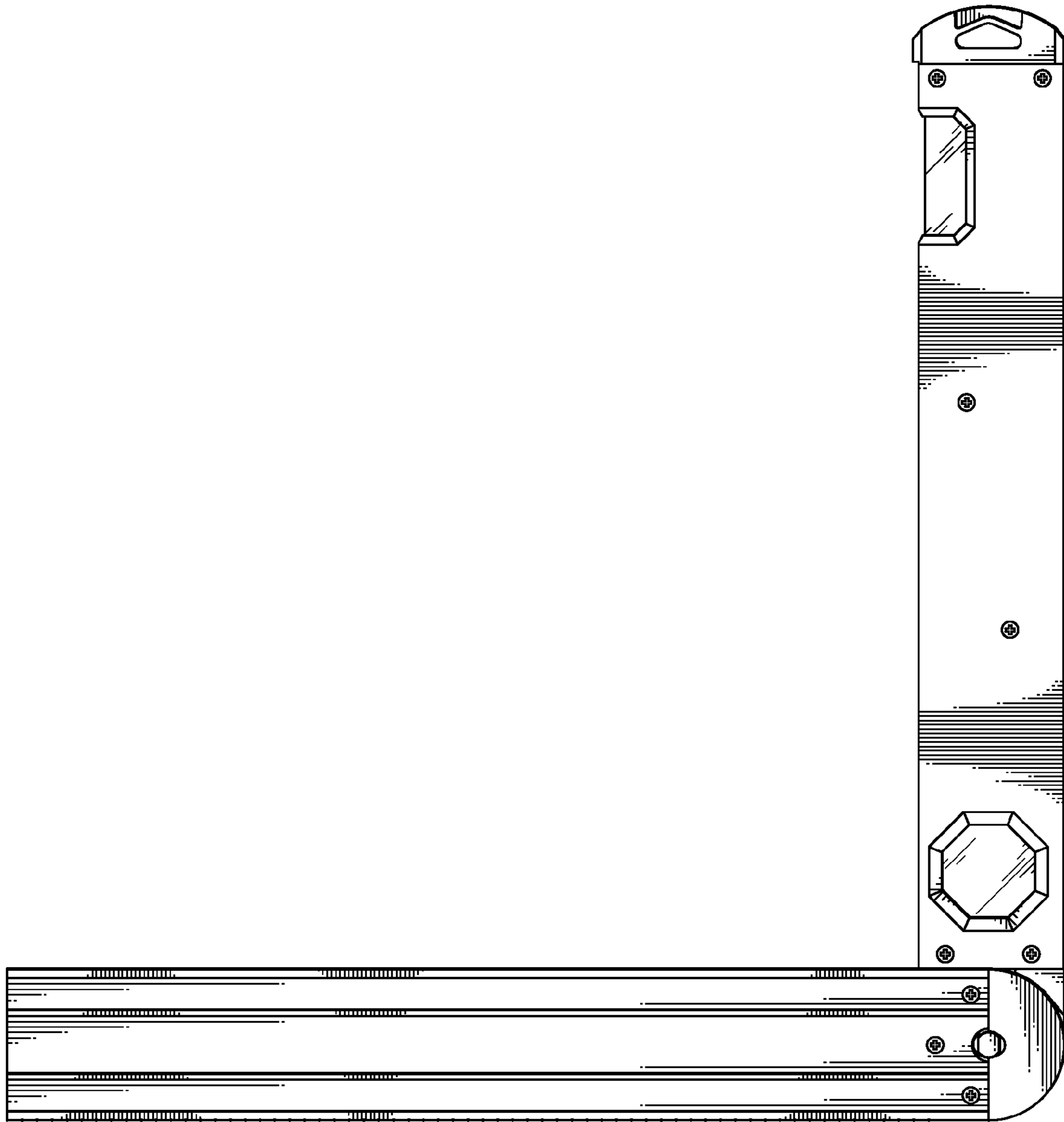


FIG. 3

FIG. 5

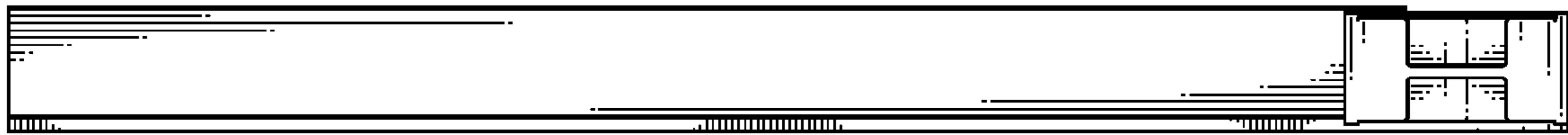
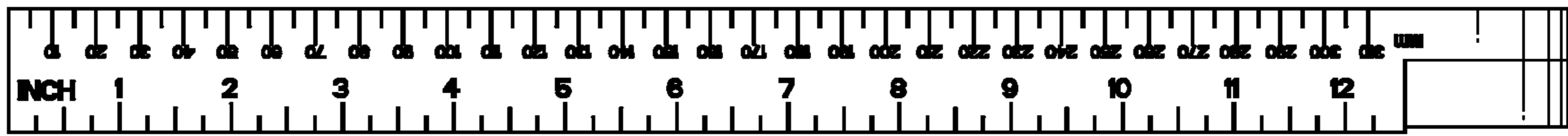


FIG. 4

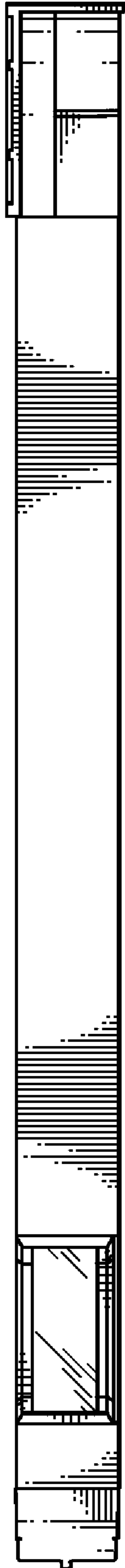


FIG. 6

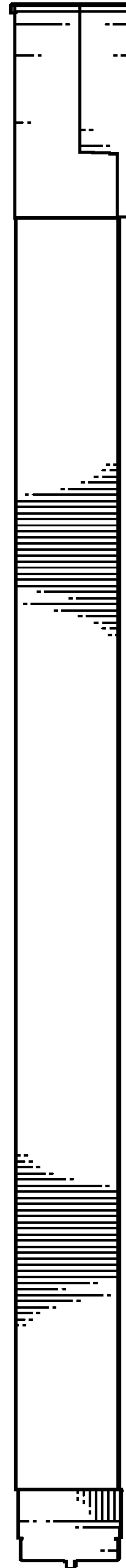


FIG. 7

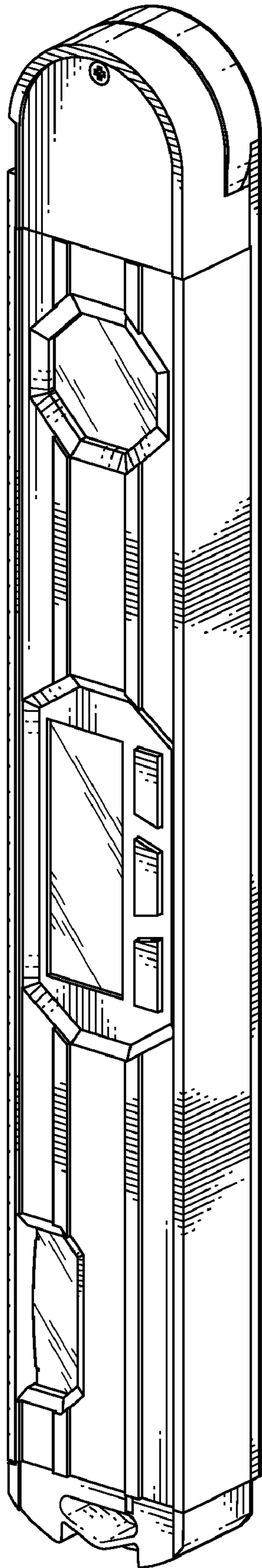


FIG. 8