



US00D562708S

(12) **United States Design Patent** (10) **Patent No.:** **US D562,708 S**
Skelton et al. (45) **Date of Patent:** **** Feb. 26, 2008**

(54) **NAVIGATION DEVICE**

(57) **CLAIM**

(75) Inventors: **Paul E. Skelton**, Lenexa, KS (US);
Kevin M. Hansen, Lawrence, KS (US);
Warren R. Stevens, Olathe, KS (US)

The ornamental design for a navigation device, as shown and described.

(73) Assignee: **Garmin Ltd.** (KY)

DESCRIPTION

(**) Term: **14 Years**

(21) Appl. No.: **29/275,091**

(22) Filed: **Dec. 12, 2006**

(51) **LOC (8) Cl.** **10-04**

(52) **U.S. Cl.** **D10/65**

(58) **Field of Classification Search** D10/65,
D10/80; D14/347; 342/351, 419, 457, 357.06-357.13;
343/702; 345/87, 104, 133, 156, 168, 173,
345/901-905; 348/180, 184, 315, 739; 364/444,
364/499; 701/206-209, 213, 214
See application file for complete search history.

FIG. 1 is a front isometric view of a navigation device according to the present invention;
FIG. 2 is a rear perspective view thereof;
FIG. 3 is a front elevational view thereof;
FIG. 4 is a top plan view thereof;
FIG. 5 is a bottom plan view thereof;
FIG. 6 is a rear elevational view thereof;
FIG. 7 is a right side elevational view thereof;
FIG. 8 is a left side elevational view thereof;
FIG. 9 is a front isometric view thereof;
FIG. 10 is a rear perspective view thereof;
FIG. 11 is a front elevational view thereof;
FIG. 12 is a top plan view thereof;
FIG. 13 is a bottom plan view thereof;
FIG. 14 is a rear elevational view thereof;
FIG. 15 is a right side elevational view thereof; and,
FIG. 16 is a left side elevational view thereof.

(56) **References Cited**

U.S. PATENT DOCUMENTS

- D467,512 S * 12/2002 Miyazaki D10/65
- D514,003 S * 1/2006 Kim D10/65
- D540,203 S * 4/2007 Jeon D10/65
- D541,186 S * 4/2007 Lammers-Meis et al. D10/65
- D541,682 S * 5/2007 Uno D10/65
- D543,876 S * 6/2007 Kalis et al. D10/65
- D544,381 S * 6/2007 Lammers-Meis et al. D10/65

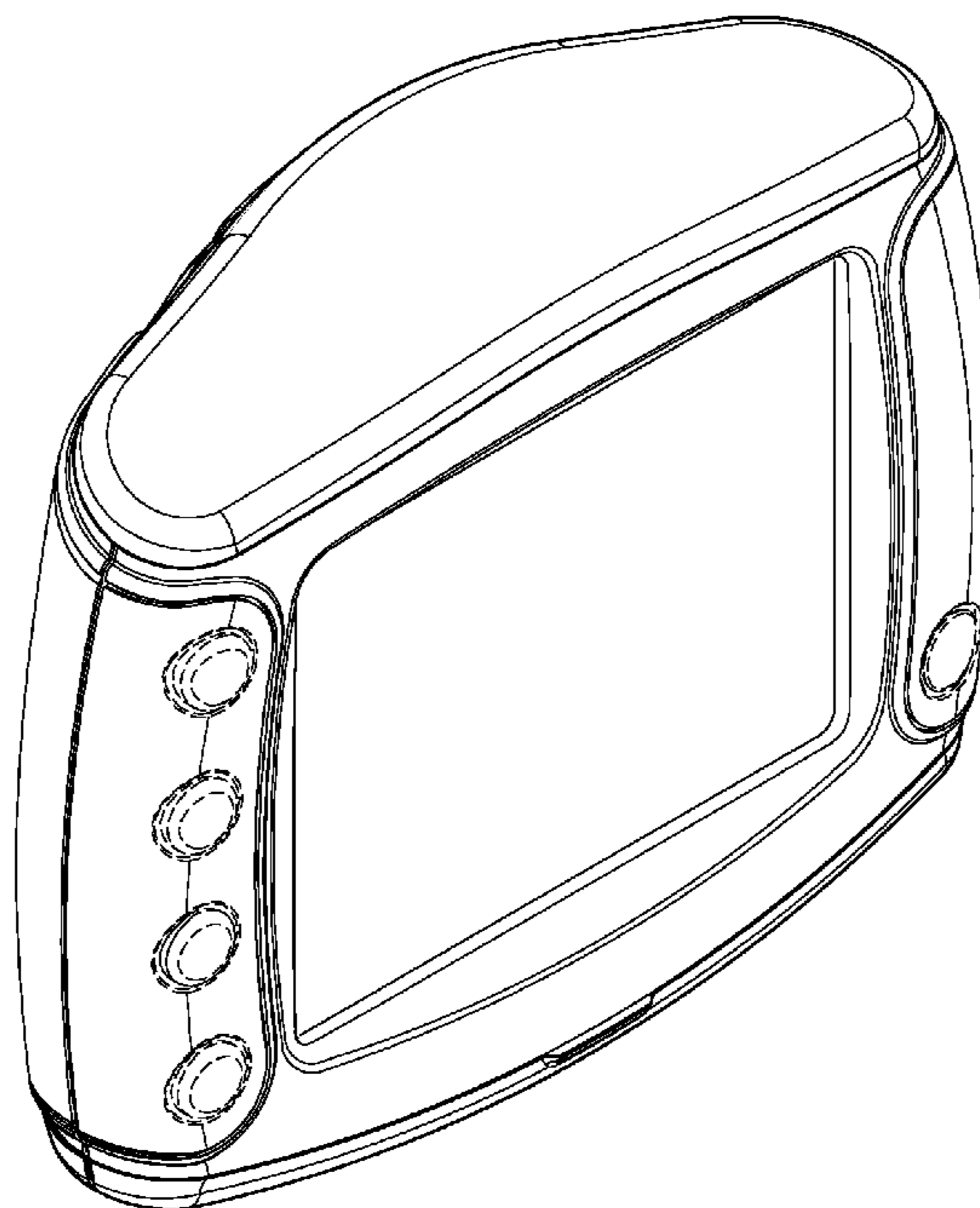
* cited by examiner

Primary Examiner—Antoine D. Davis

(74) *Attorney, Agent, or Firm*—Kevin E. West; Samuel M. Korte

Portions of FIGS. 1 through 16 are shown in dashed lines for illustrative purposes only and form no part of the claimed design.

1 Claim, 6 Drawing Sheets



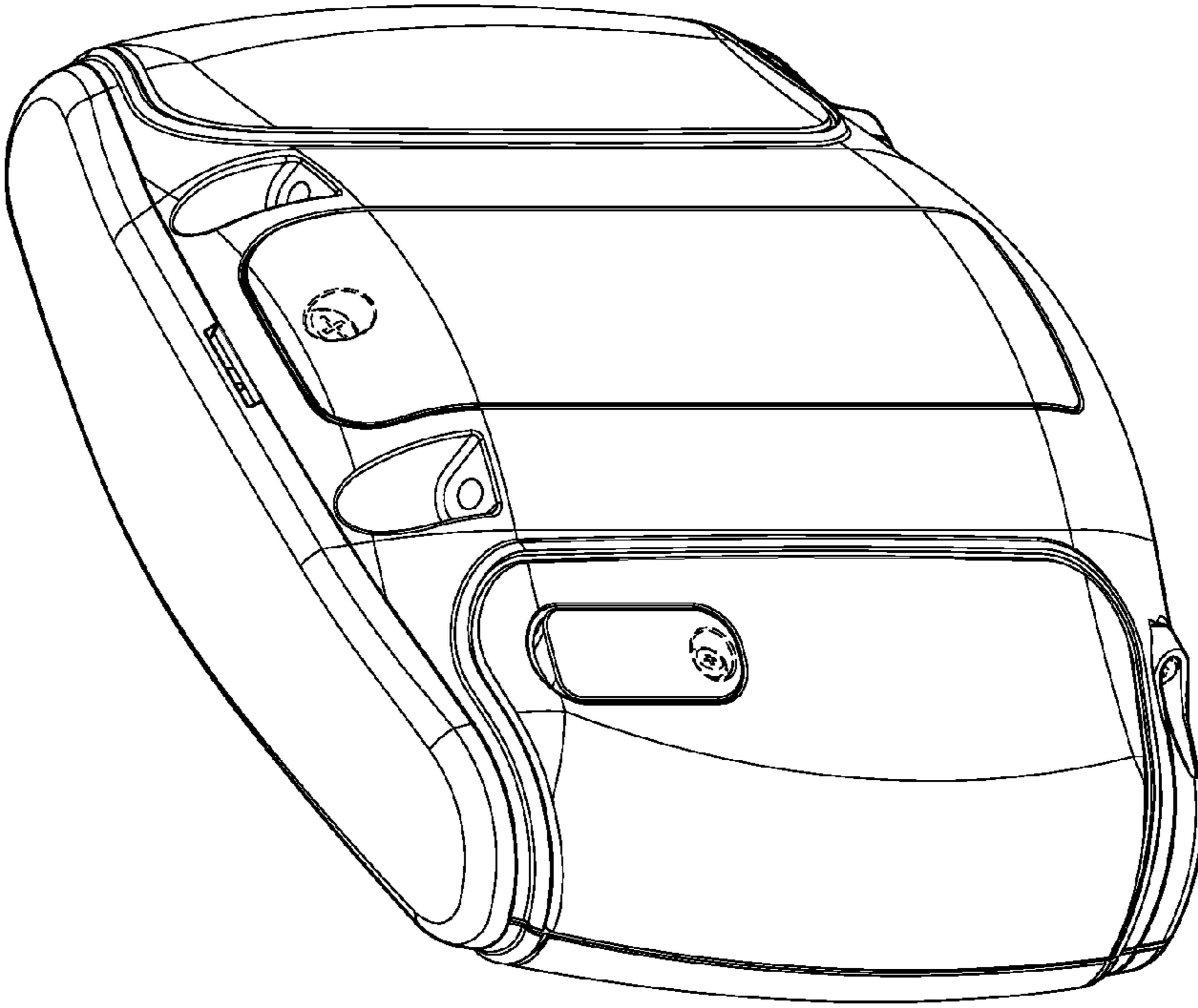


FIG. 2.

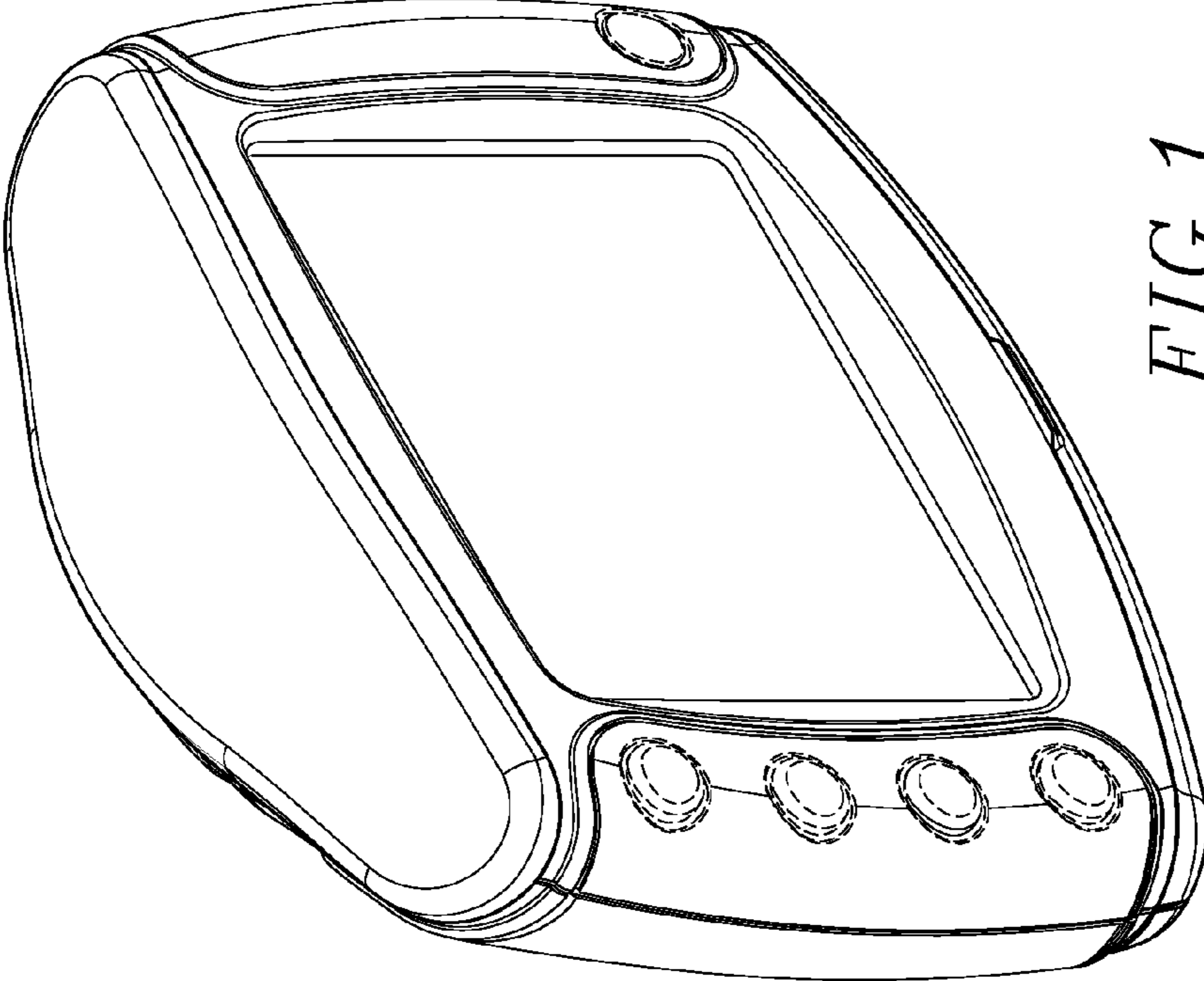


FIG. 1.

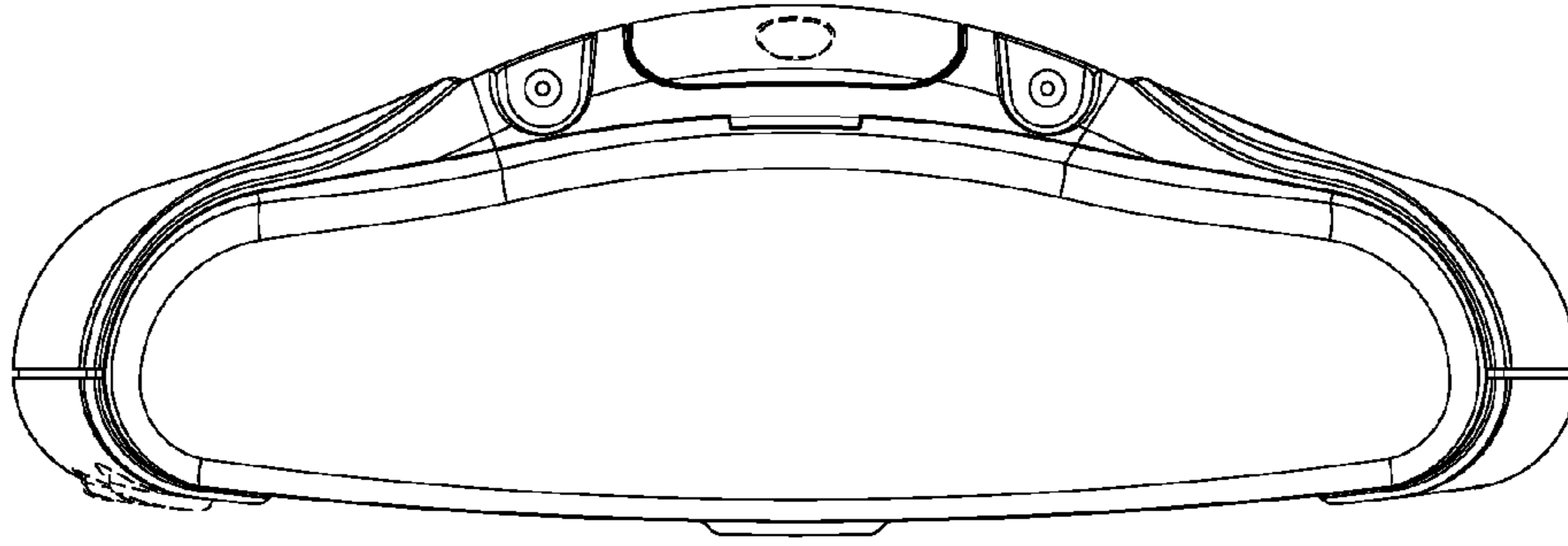


FIG. 4.

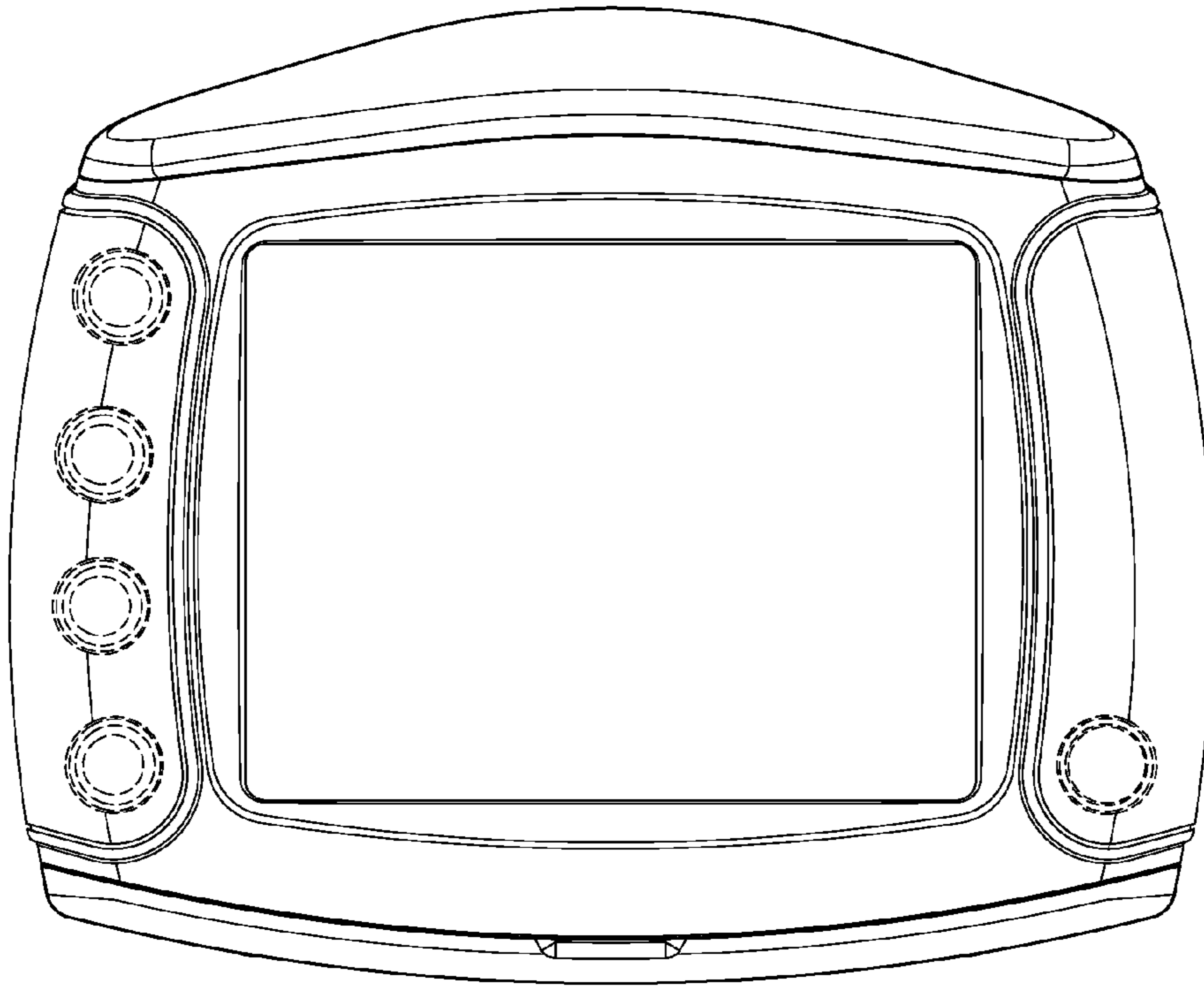
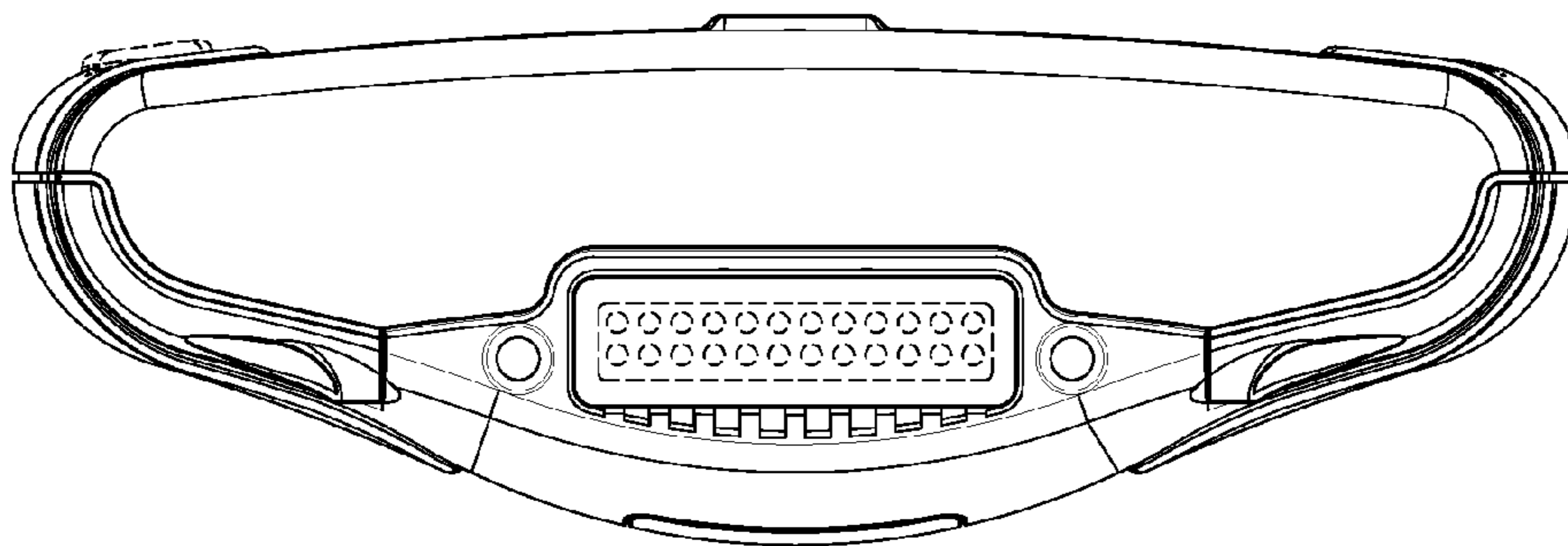


FIG. 3.

FIG. 5.



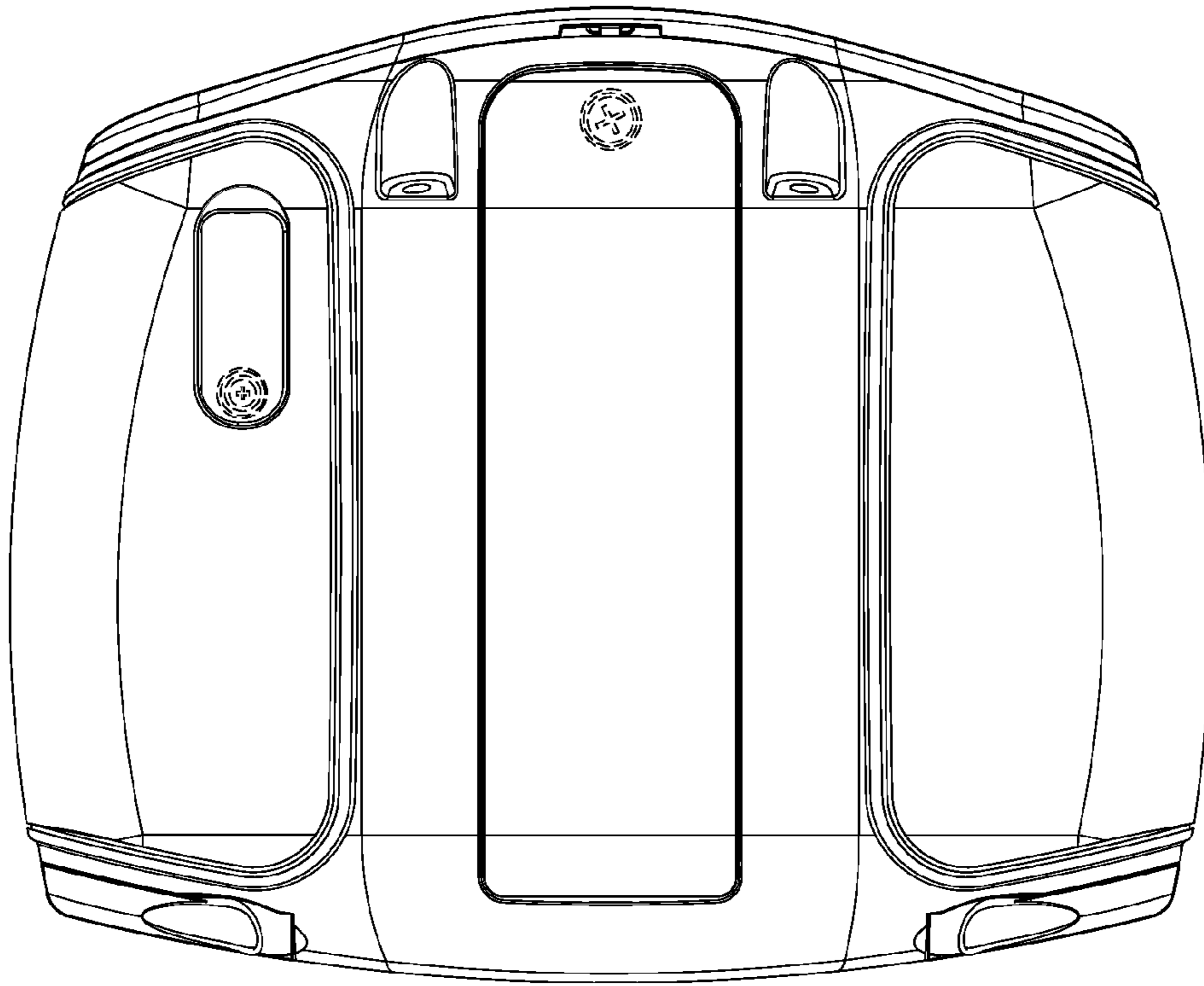


FIG. 6.

FIG. 7.

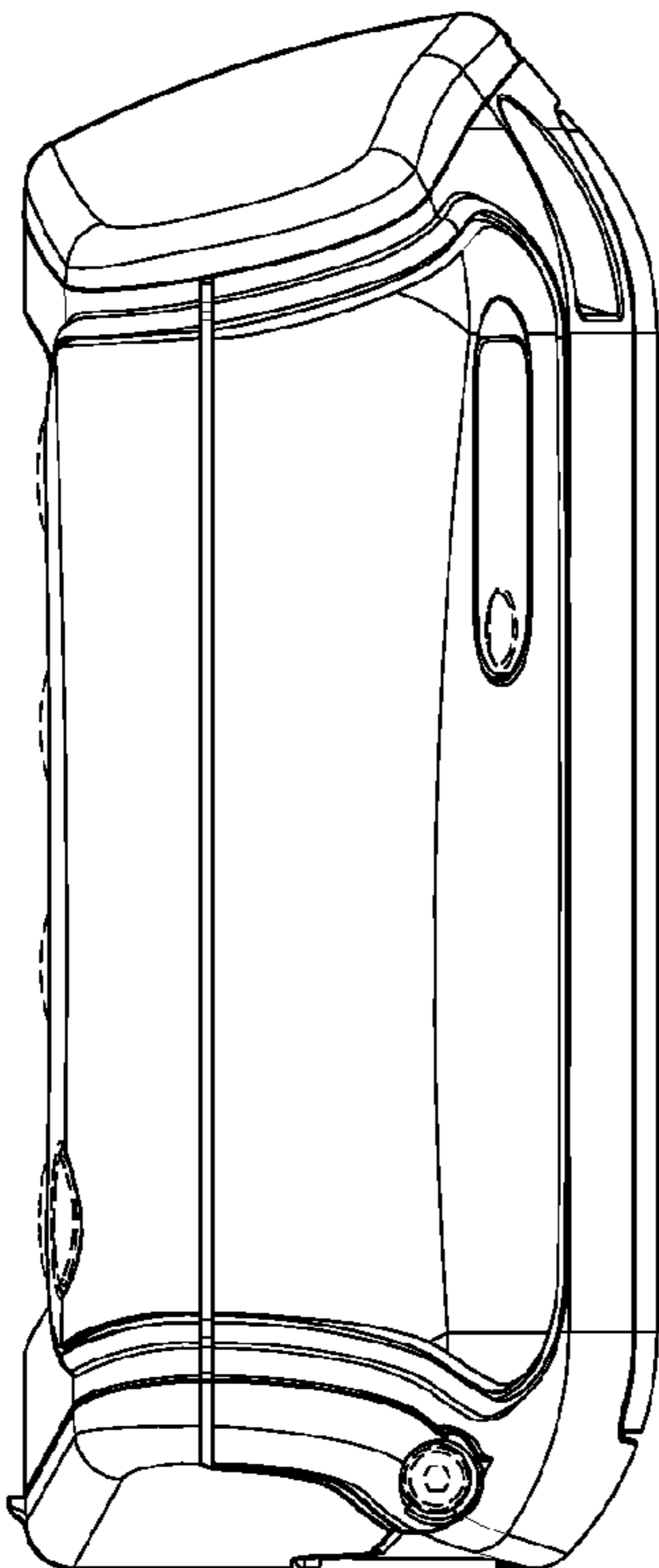
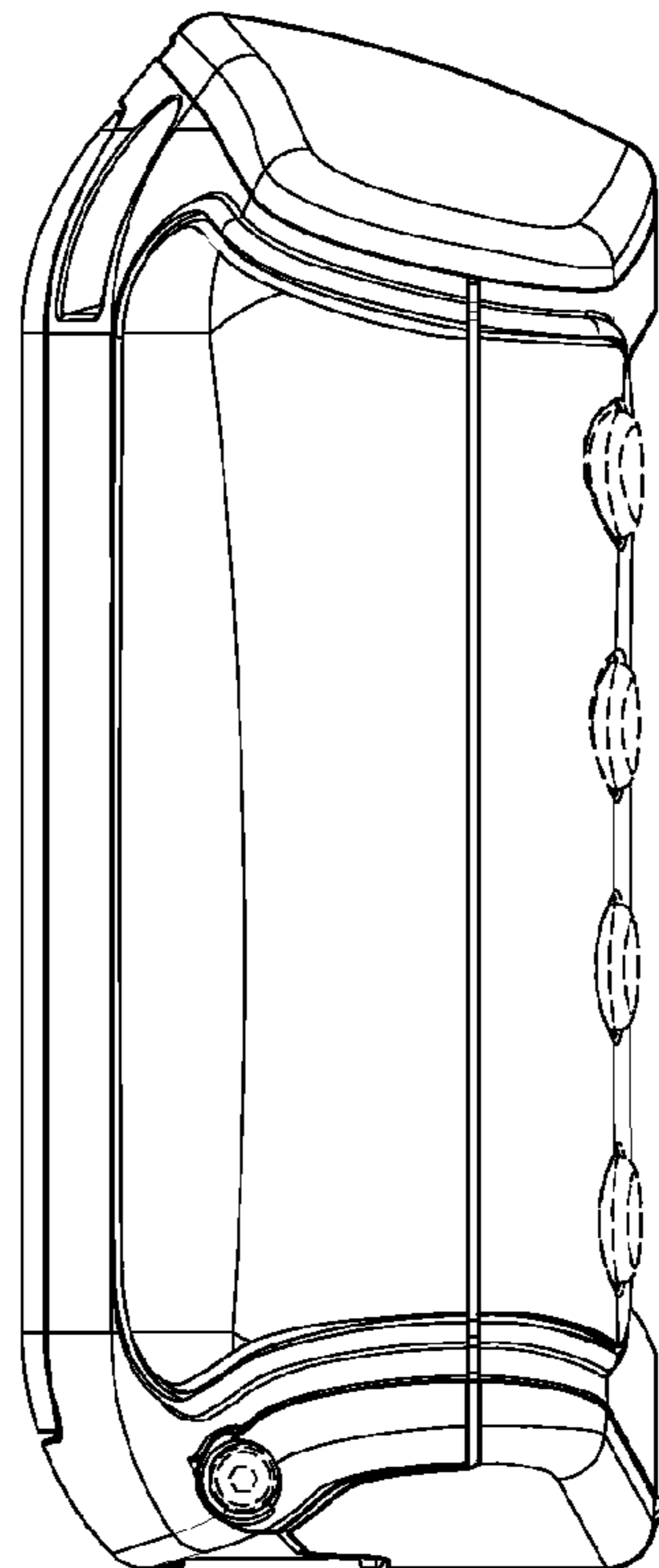


FIG. 8.



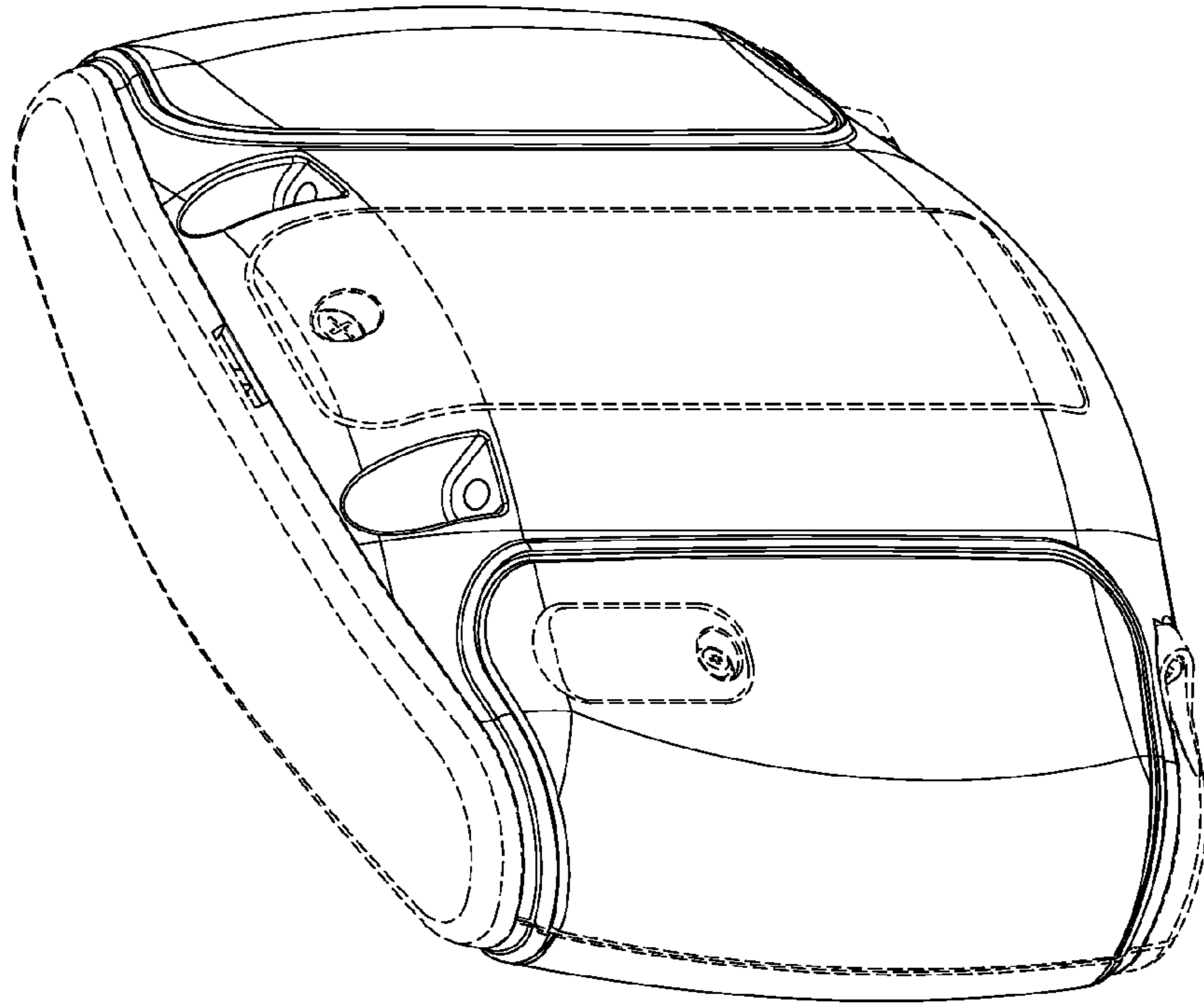


FIG. 10.

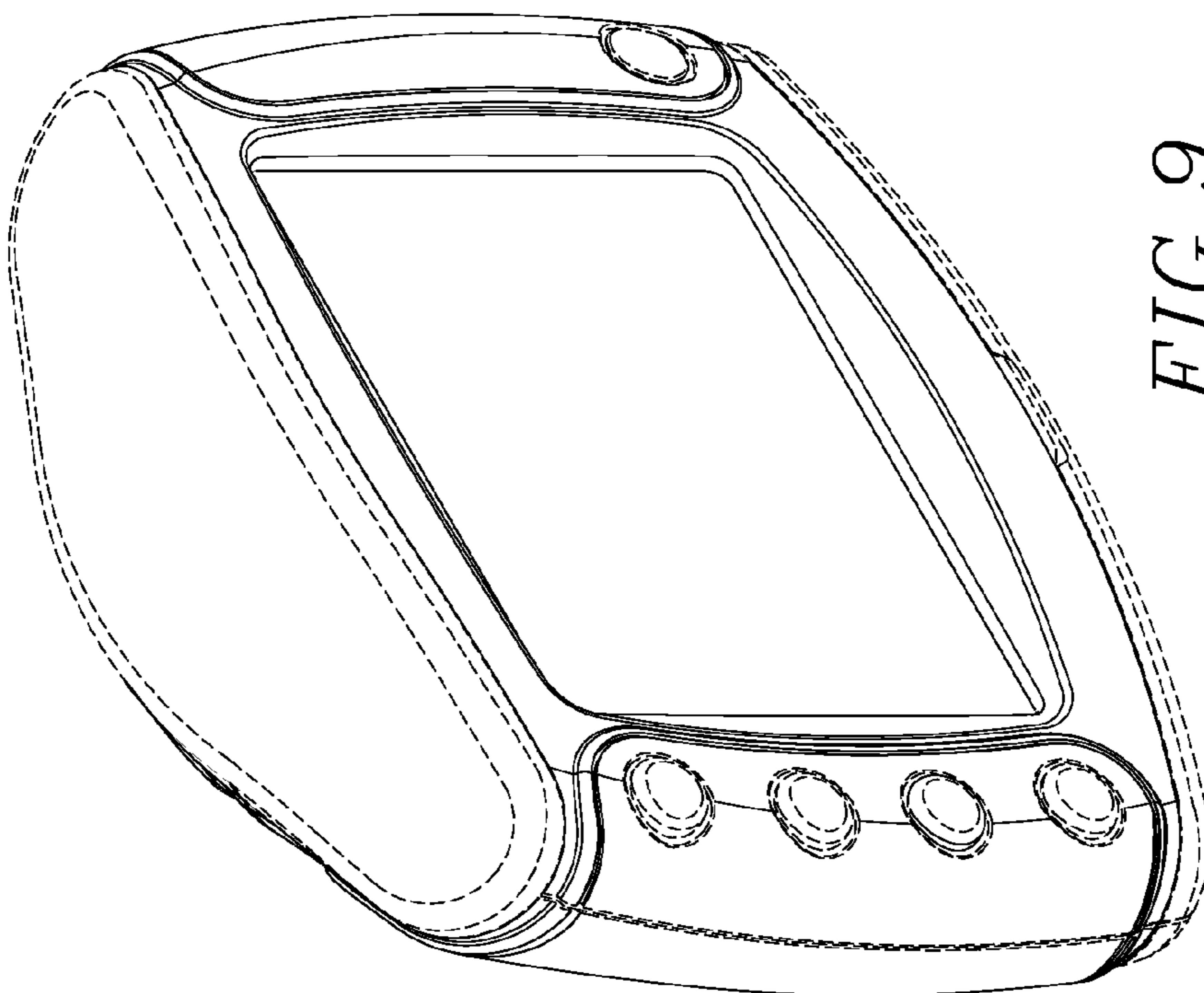


FIG. 9.

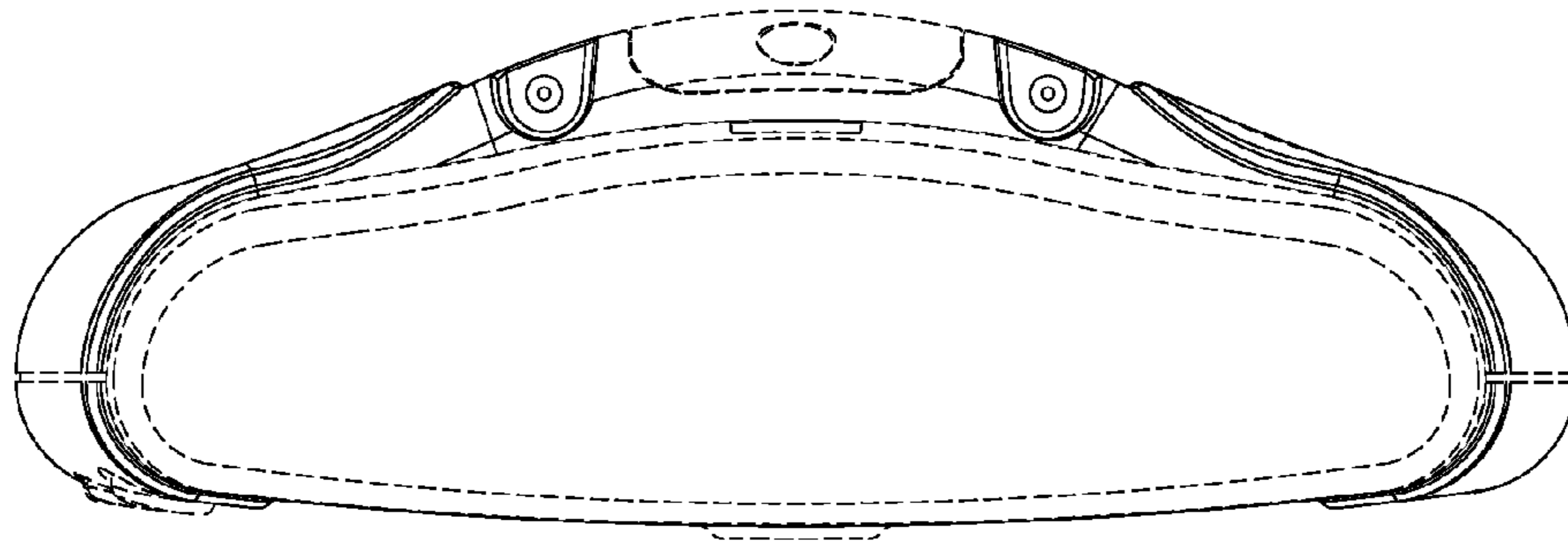


FIG. 11.

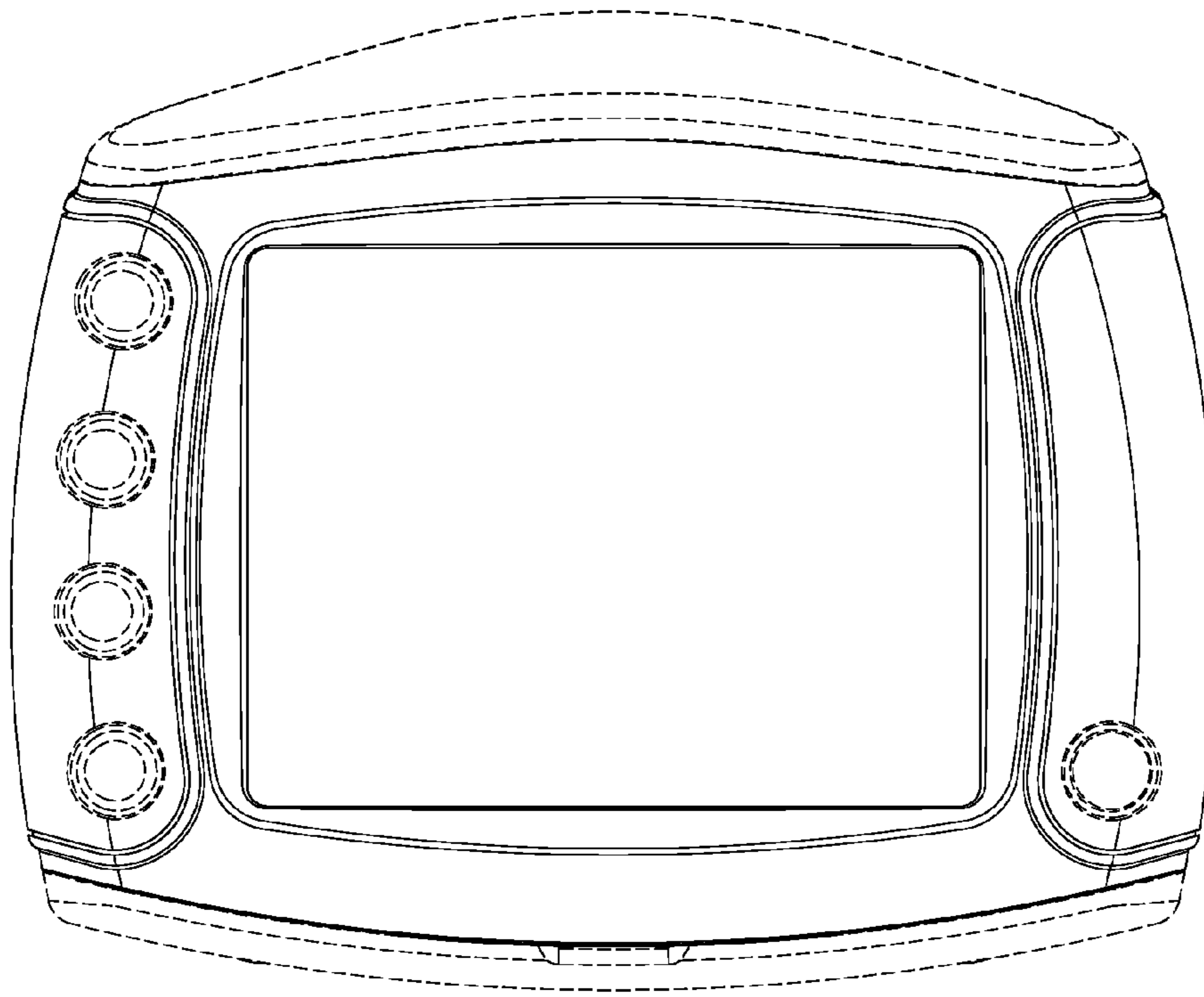
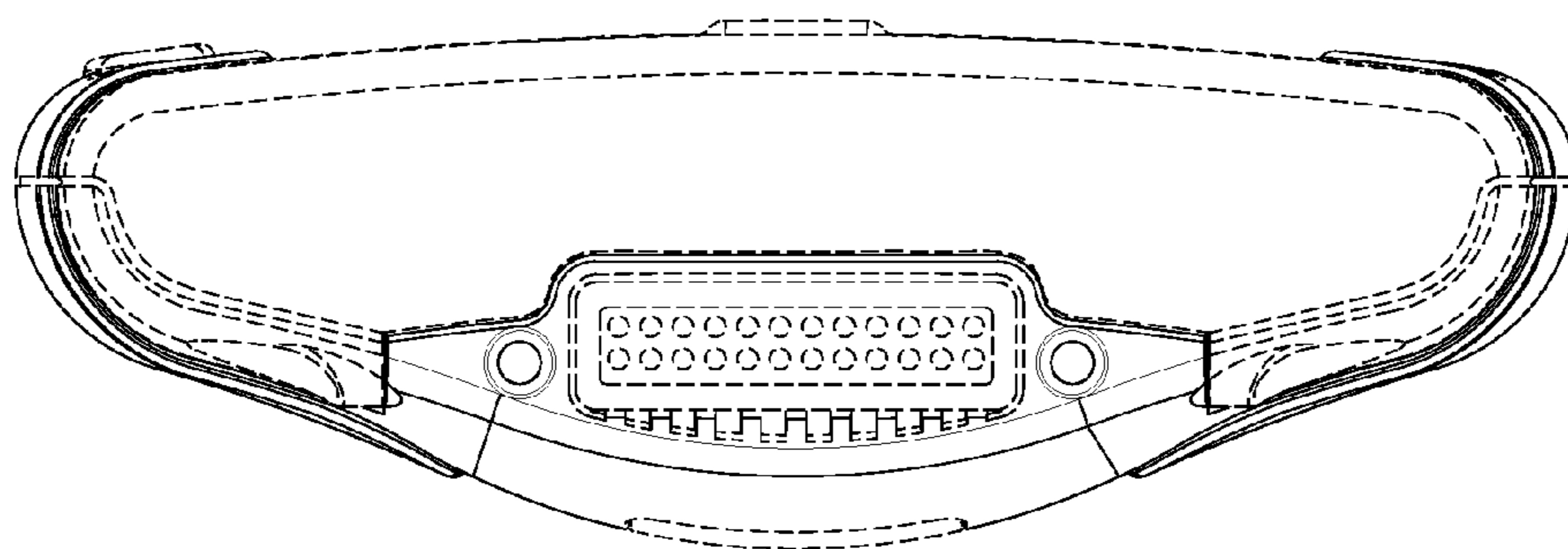


FIG. 12.

FIG. 13.



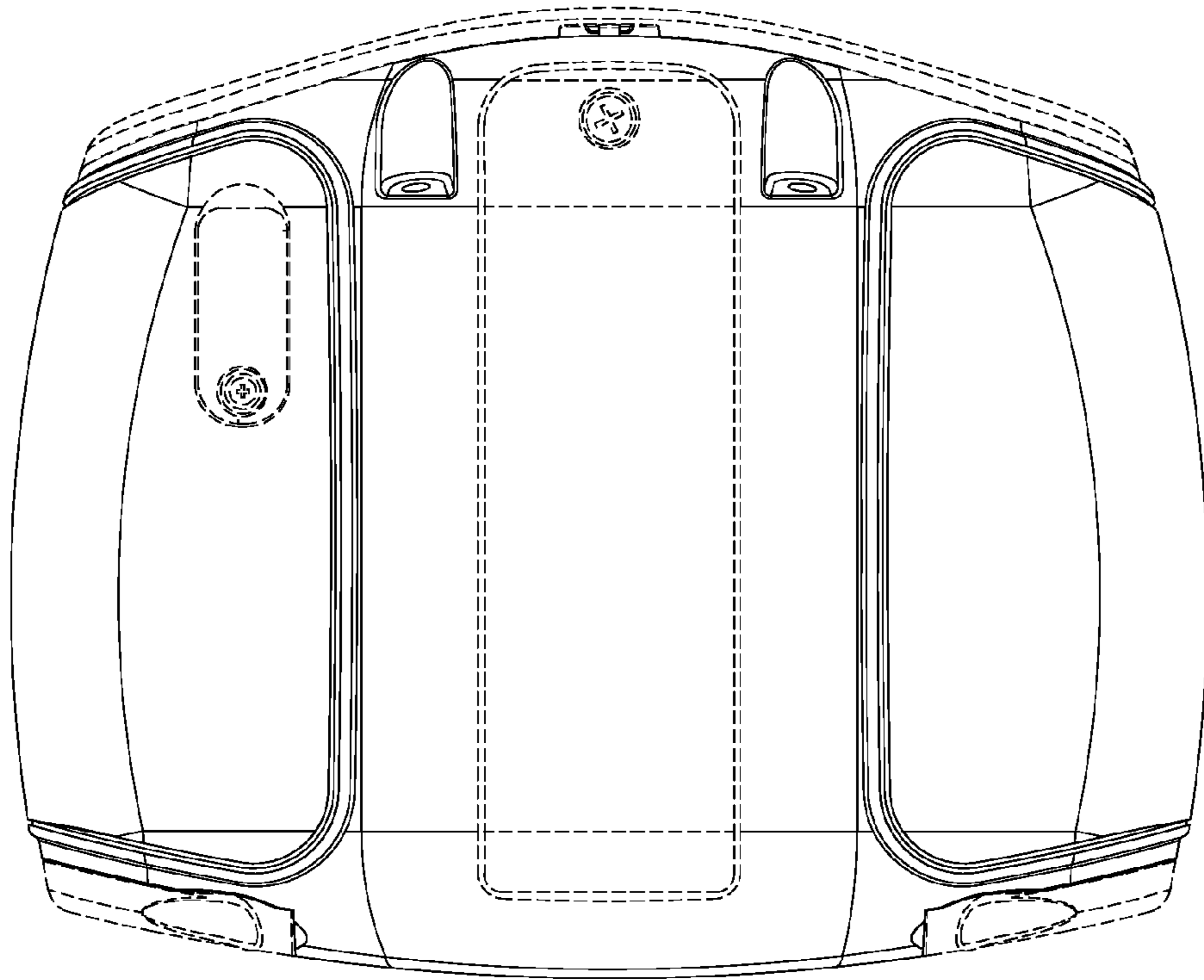


FIG. 14.

FIG. 15.

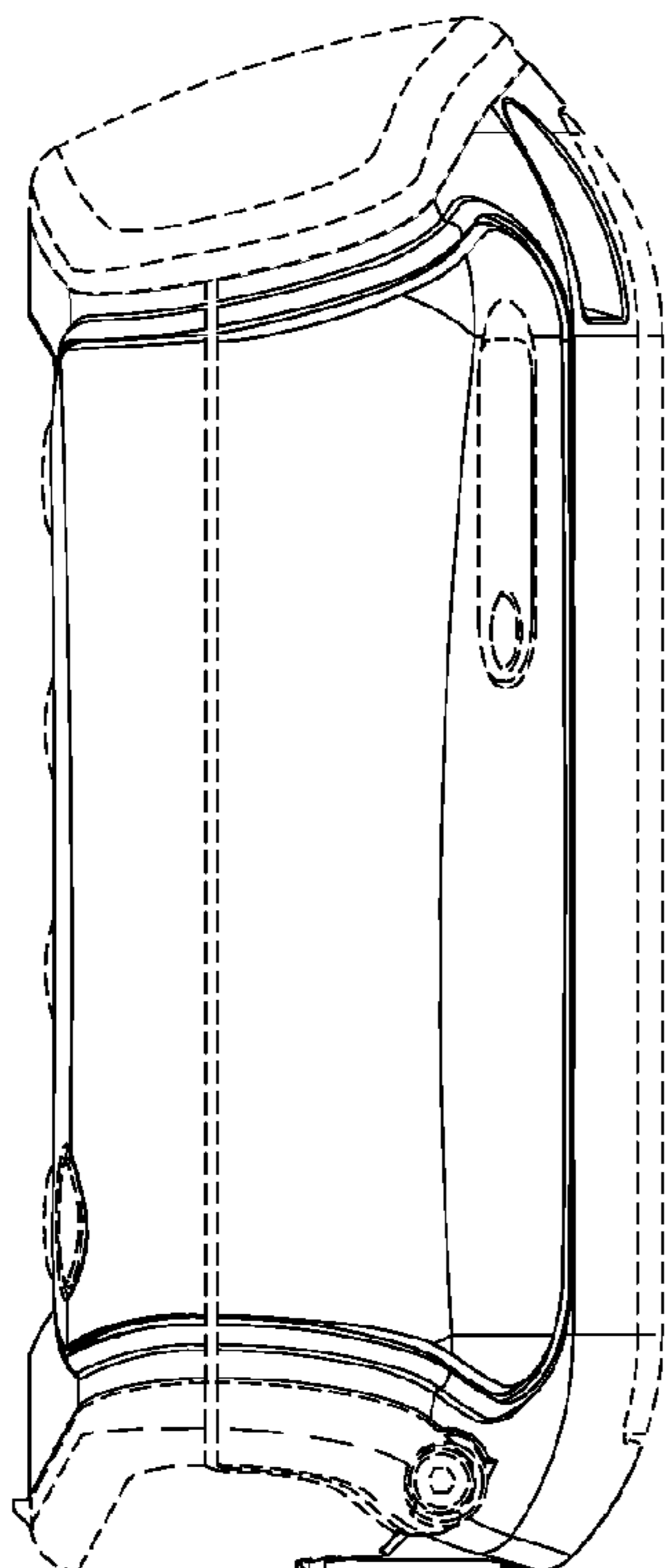


FIG. 16.

