



US00D562702S

(12) **United States Design Patent**  
**Bhavnani**

(10) **Patent No.:** **US D562,702 S**

(45) **Date of Patent:** **\*\* Feb. 26, 2008**

(54) **CARABINER CLOCK**

(75) Inventor: **Dilip Bhavnani**, Beverly Hills, CA  
(US)

(73) Assignee: **Sun Coast Merchandise Corporation**,  
Commerce, CA (US)

(\*\*) Term: **14 Years**

(21) Appl. No.: **29/246,910**

(22) Filed: **May 19, 2006**

(51) **LOC (8) Cl.** ..... **10-01**

(52) **U.S. Cl.** ..... **D10/2**

(58) **Field of Classification Search** ..... D10/1-29,  
D10/40, 123-126; D11/3-25; 224/164-168;  
368/10, 21, 28-30, 223, 228, 232, 234, 239-242,  
368/276-277, 281-283, 285, 294-295, 308,  
368/319-321; D3/207, 208, 211; D8/333,  
D8/356, 367; D19/44; 24/3.6, 3.7, 3.13,  
24/576.1, 588.1, 598.2, 599.1, 599.9, 600.1;  
70/456 R, 459

See application file for complete search history.

(56) **References Cited**

**U.S. PATENT DOCUMENTS**

D313,759 S *	1/1991	Nomizu	.....	D10/31
5,540,367 A *	7/1996	Kauker	.....	224/269
D436,094 S *	1/2001	Yamada	.....	D14/195
D474,980 S *	5/2003	Finkay	.....	D10/31
D488,830 S *	4/2004	Joachim	.....	D18/7
D503,628 S *	4/2005	Chen	.....	D10/15

D504,306 S *	4/2005	Chisolm	.....	D8/356
D505,337 S *	5/2005	Cooper	.....	D10/2
D512,406 S *	12/2005	Shimizu	.....	D14/167
D514,002 S *	1/2006	Bhavnani	.....	D10/40
D530,184 S *	10/2006	Oas	.....	D8/333
D531,058 S *	10/2006	Bhavnani	.....	D10/1

\* cited by examiner

*Primary Examiner*—Mimosa De

*Assistant Examiner*—Ricky Pham

(74) *Attorney, Agent, or Firm*—The Soni Law Firm

(57) **CLAIM**

The ornamental design for a carabiner clock, as shown and described.

**DESCRIPTION**

FIG. 1 is a bottom perspective view of a carabiner clock showing my new design;

FIG. 2 is a front elevational view thereof;

FIG. 3 is a right side elevational view thereof;

FIG. 4 is a left side elevational view thereof;

FIG. 5 is a bottom plan view thereof;

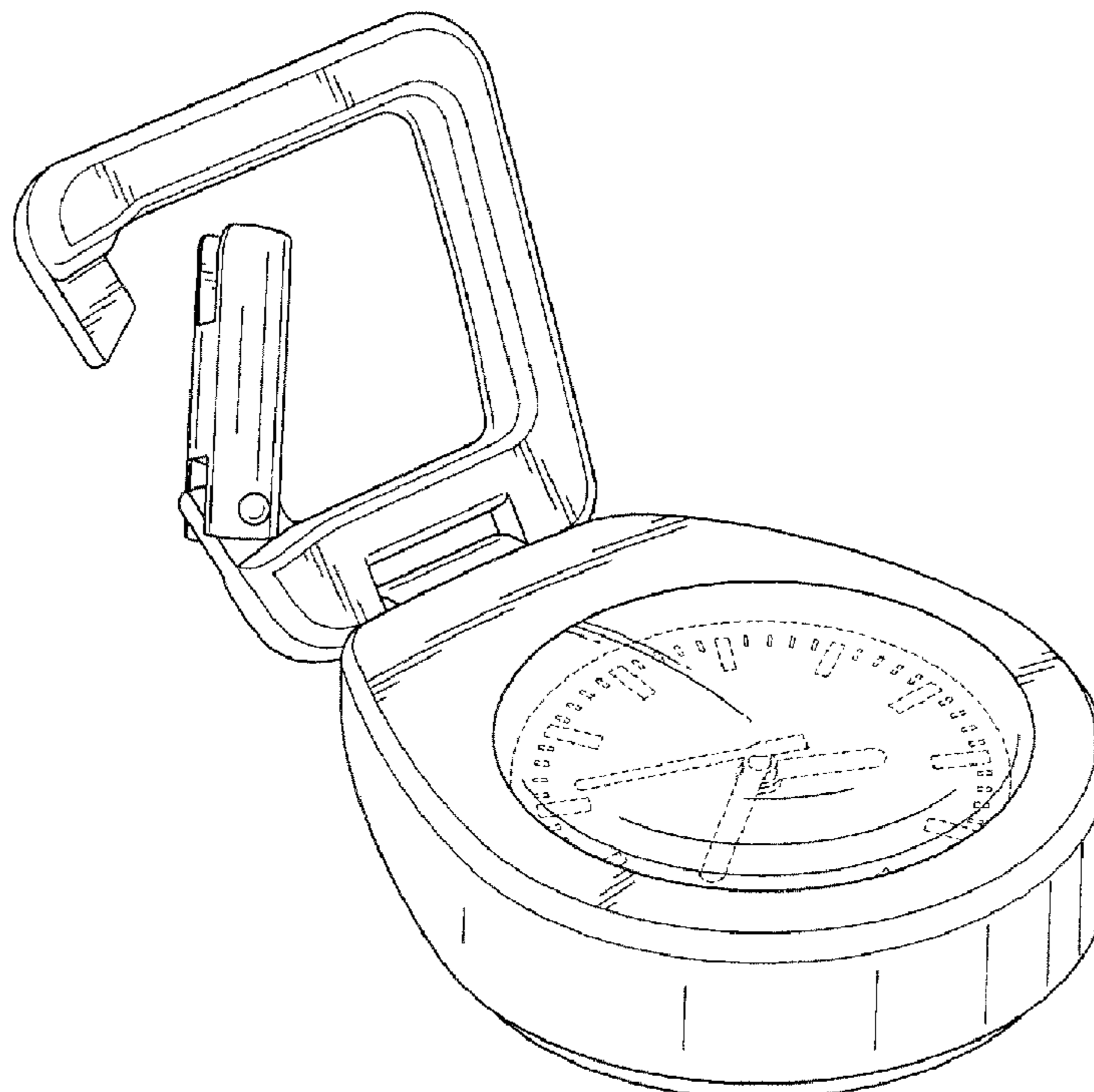
FIG. 6 is a top plan view thereof;

FIG. 7 is a back elevational view thereof; and,

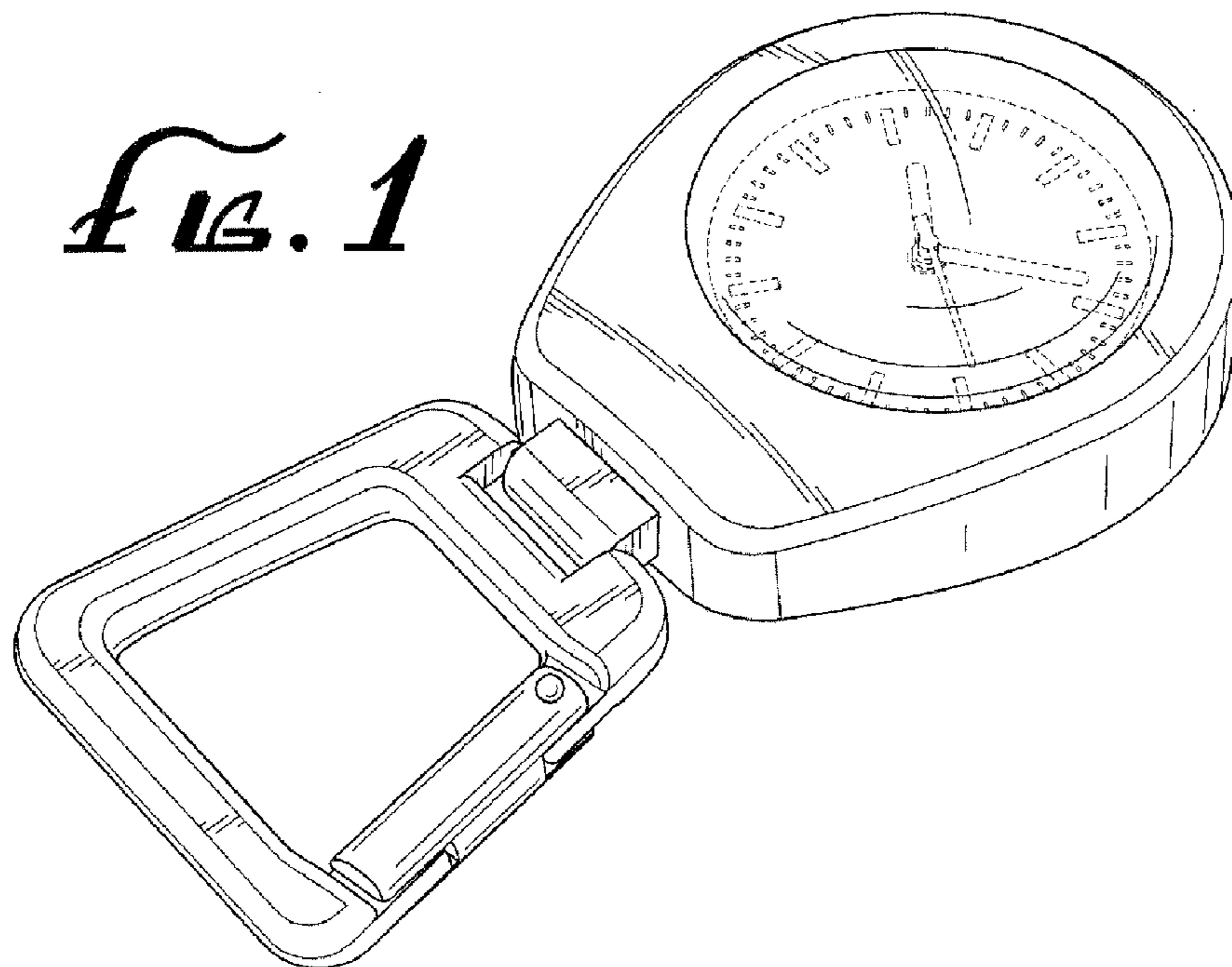
FIG. 8 is an alternate front side top perspective view thereof showing the carabiner in a pivoted and open position.

The broken lines shown in the drawings are for illustrative purposes only and form no part of the claimed design.

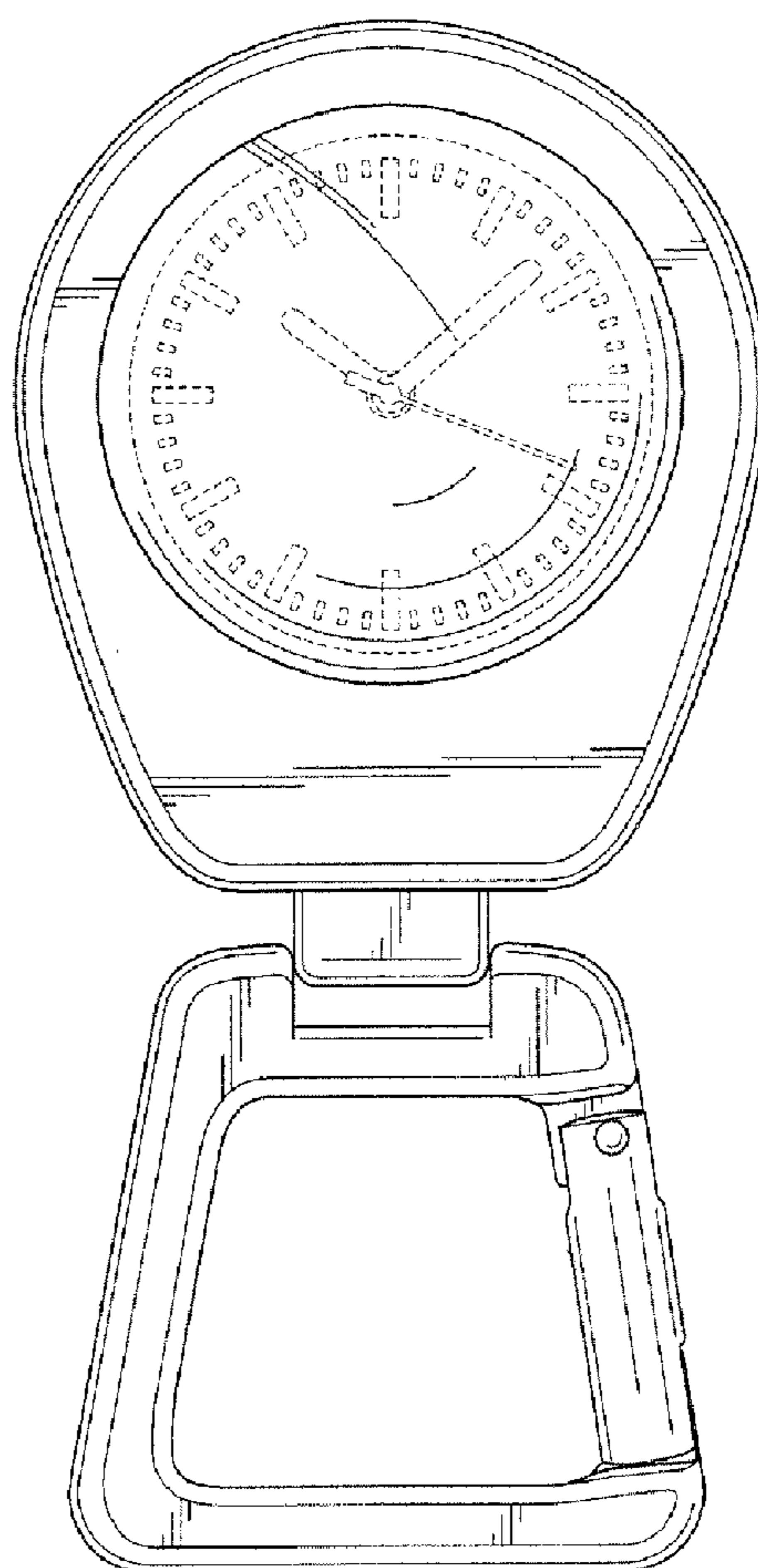
**1 Claim, 4 Drawing Sheets**

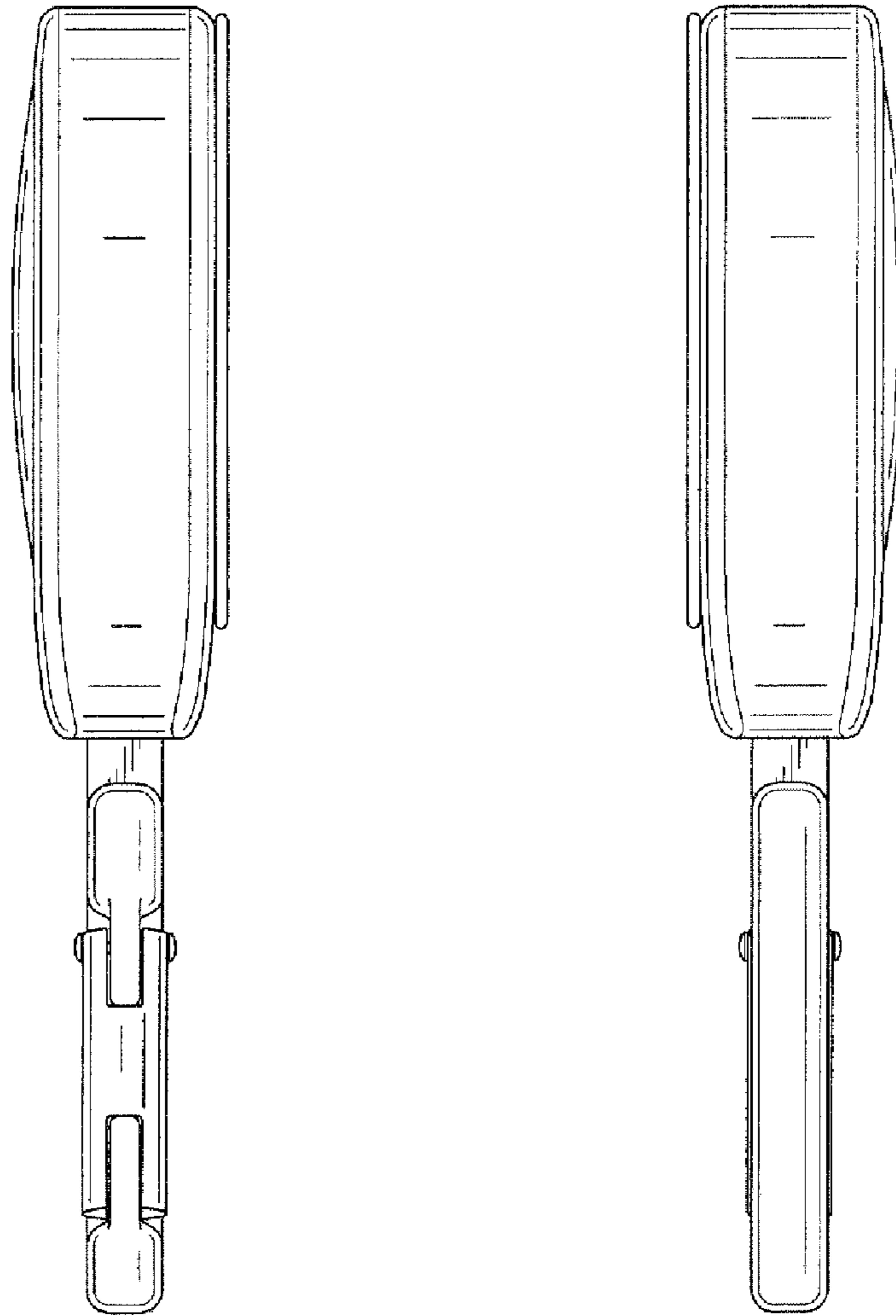


*FIG. 1*



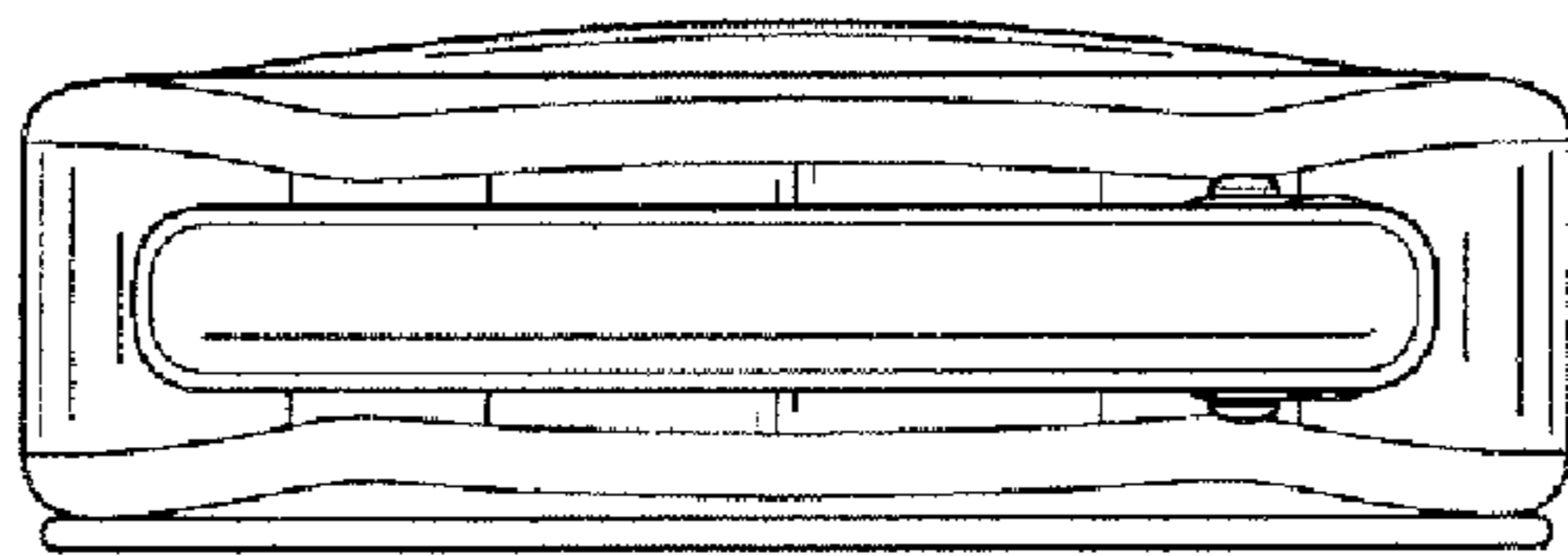
*FIG. 2*



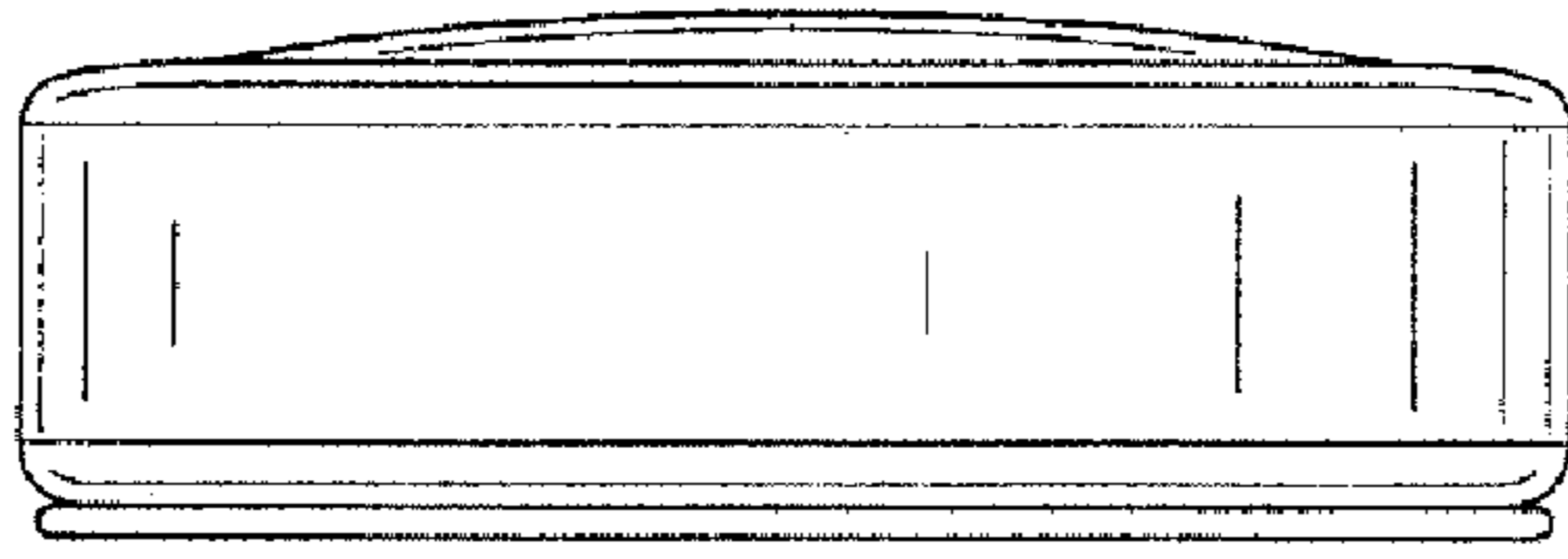


*FIG. 3*

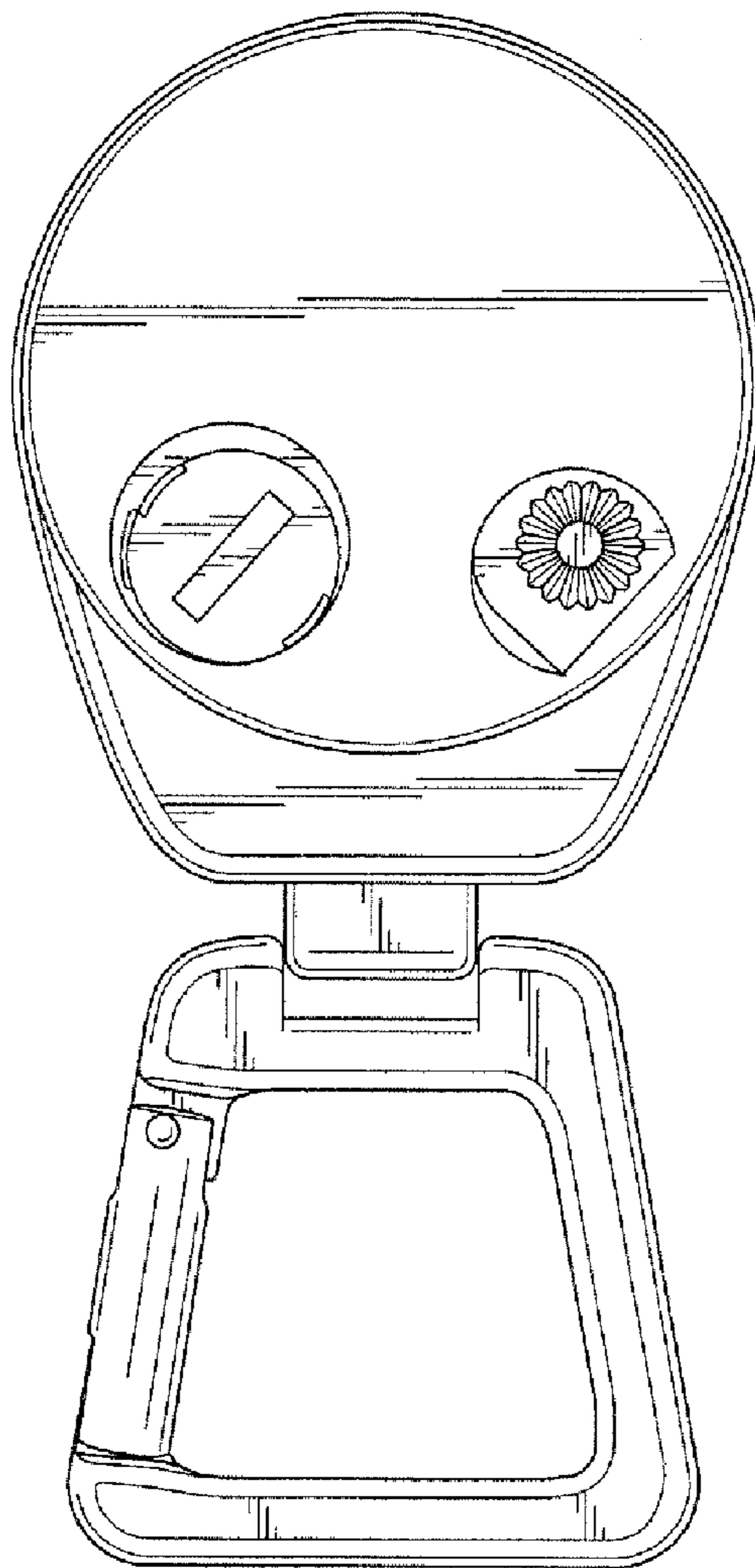
*FIG. 4*



*FIG. 5*

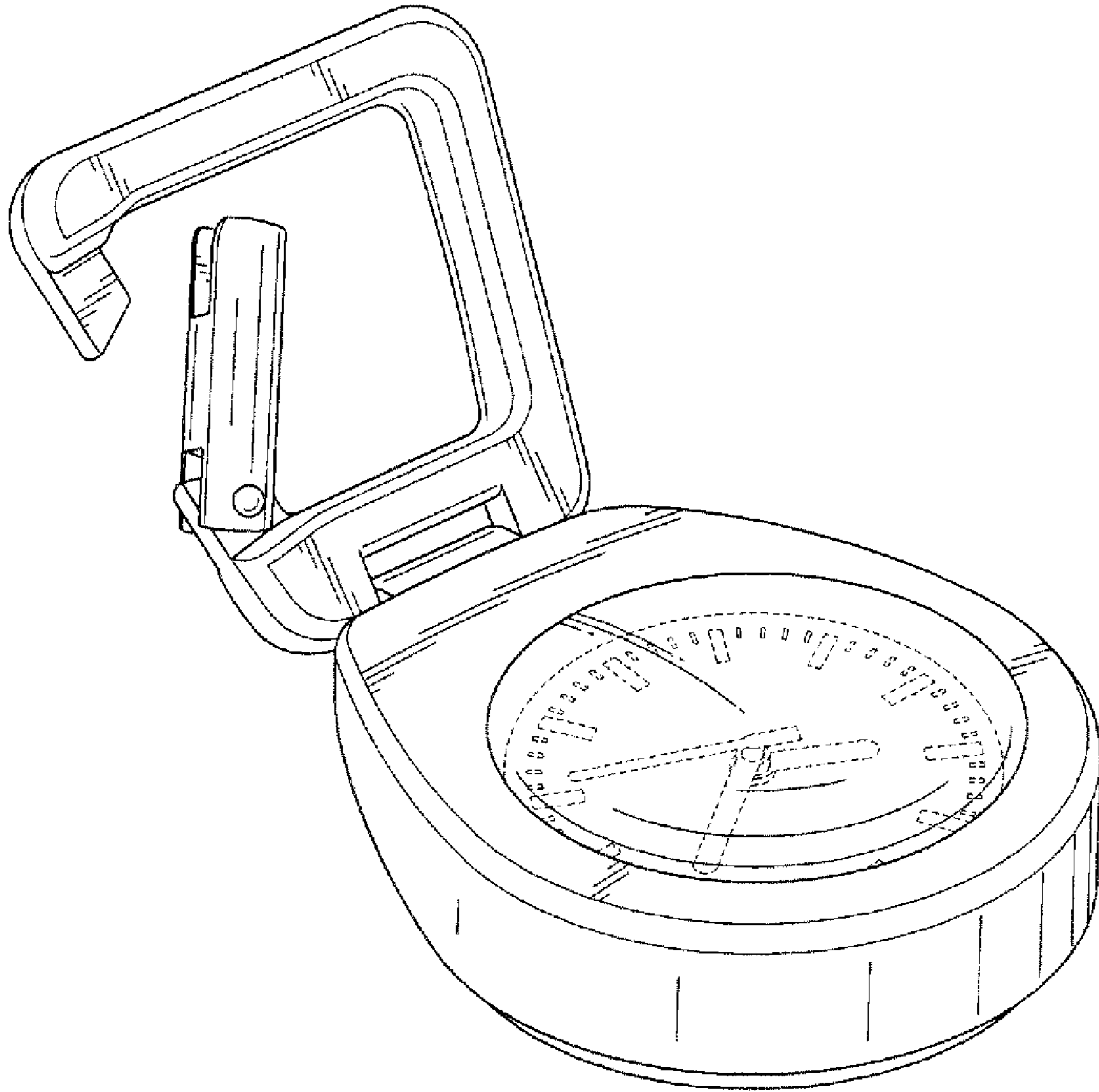


*FIG. 6*



*FIG. 7*





*FIG. 8*