

US00D562690S

(12) **United States Design Patent**
Mansau

(10) **Patent No.:** **US D562,690 S**

(45) **Date of Patent:** **** Feb. 26, 2008**

(54) **ARCUATE BOTTLE**

D504,068 S * 4/2005 Thuillier et al. D9/520
D526,903 S * 8/2006 Duranthon D9/520

(75) Inventor: **Serge Mansau**, Thiverval (FR)

* cited by examiner

(73) Assignee: **Martell & Co.**, Cognac (FR)

Primary Examiner—Sandra L. Morris

(**) Term: **14 Years**

(74) *Attorney, Agent, or Firm*—Abelman, Frayne & Schwab

(21) Appl. No.: **29/266,387**

(57) **CLAIM**

(22) Filed: **Sep. 19, 2006**

The ornamental design for an arcuate bottle, as shown and described.

(30) **Foreign Application Priority Data**

Mar. 21, 2006 (EM) 000499033

DESCRIPTION

(51) **LOC (8) Cl.** **09-01**

FIG. 1 is a top, front and side perspective view of an arcuate bottle showing my new design;

(52) **U.S. Cl.** **D9/600**; D9/520; D9/546

FIG. 2 is a front elevational view thereof, the rear view being a mirror image thereof;

(58) **Field of Classification Search** D9/600,
D9/649, 653, 667, 516, 520, 522, 544–546;
D7/514–515, 539, 594, 613, 619.2, 628;
206/458; 215/375, 400; 220/890, 116.1–116.3
See application file for complete search history.

FIG. 3 is a right side elevational view, the left side being a mirror image thereof;

FIG. 4 is a top plan view thereof; and,

FIG. 5 is a bottom view thereof.

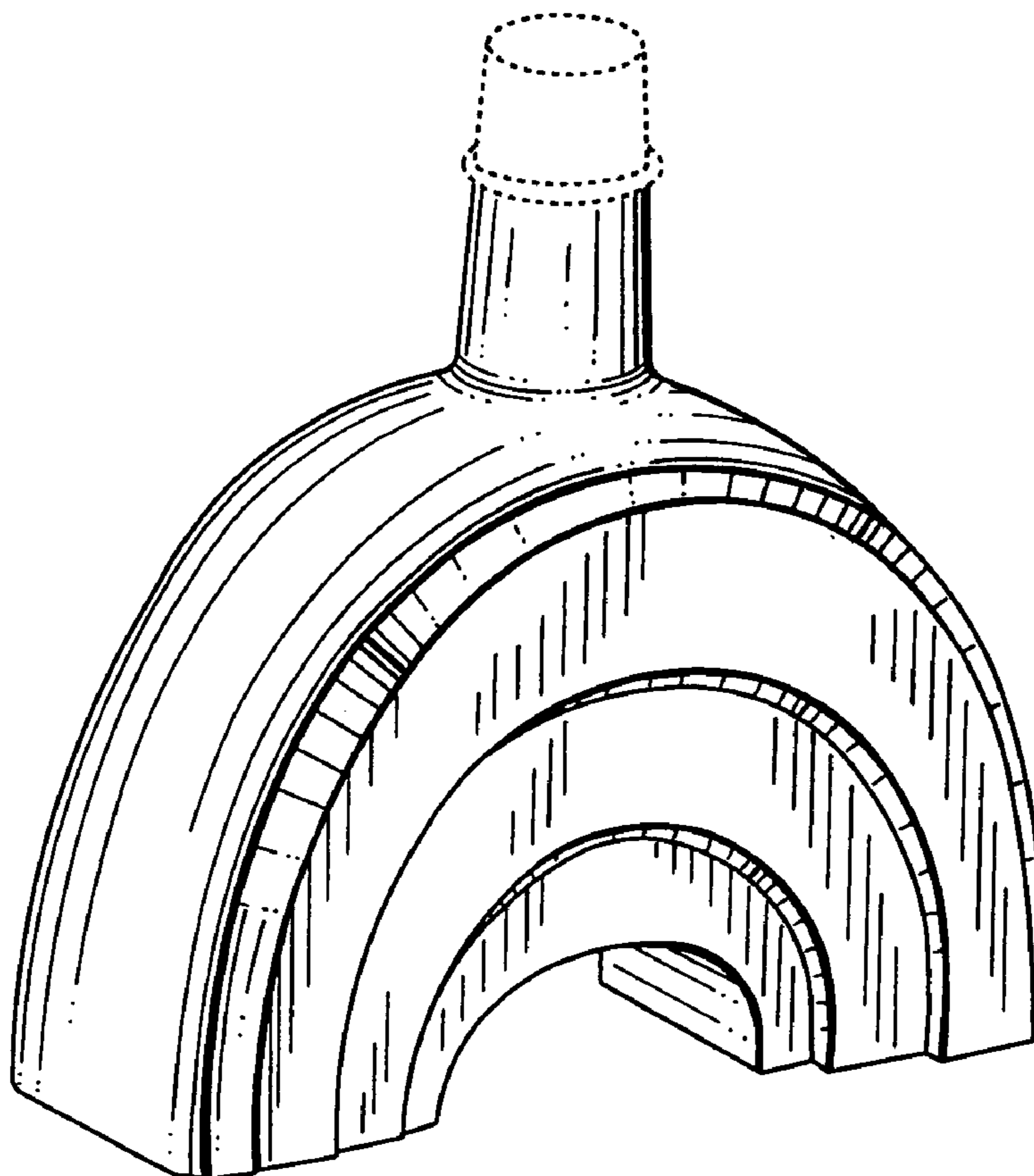
The features shown in broken lines in FIGS. 1–5 are for illustrative purposes only and do not form a part of the claimed design.

(56) **References Cited**

U.S. PATENT DOCUMENTS

D332,572 S * 1/1993 Dinand D9/520
D398,237 S * 9/1998 Walter D9/520
D406,243 S * 3/1999 Ricci D9/544

1 Claim, 2 Drawing Sheets



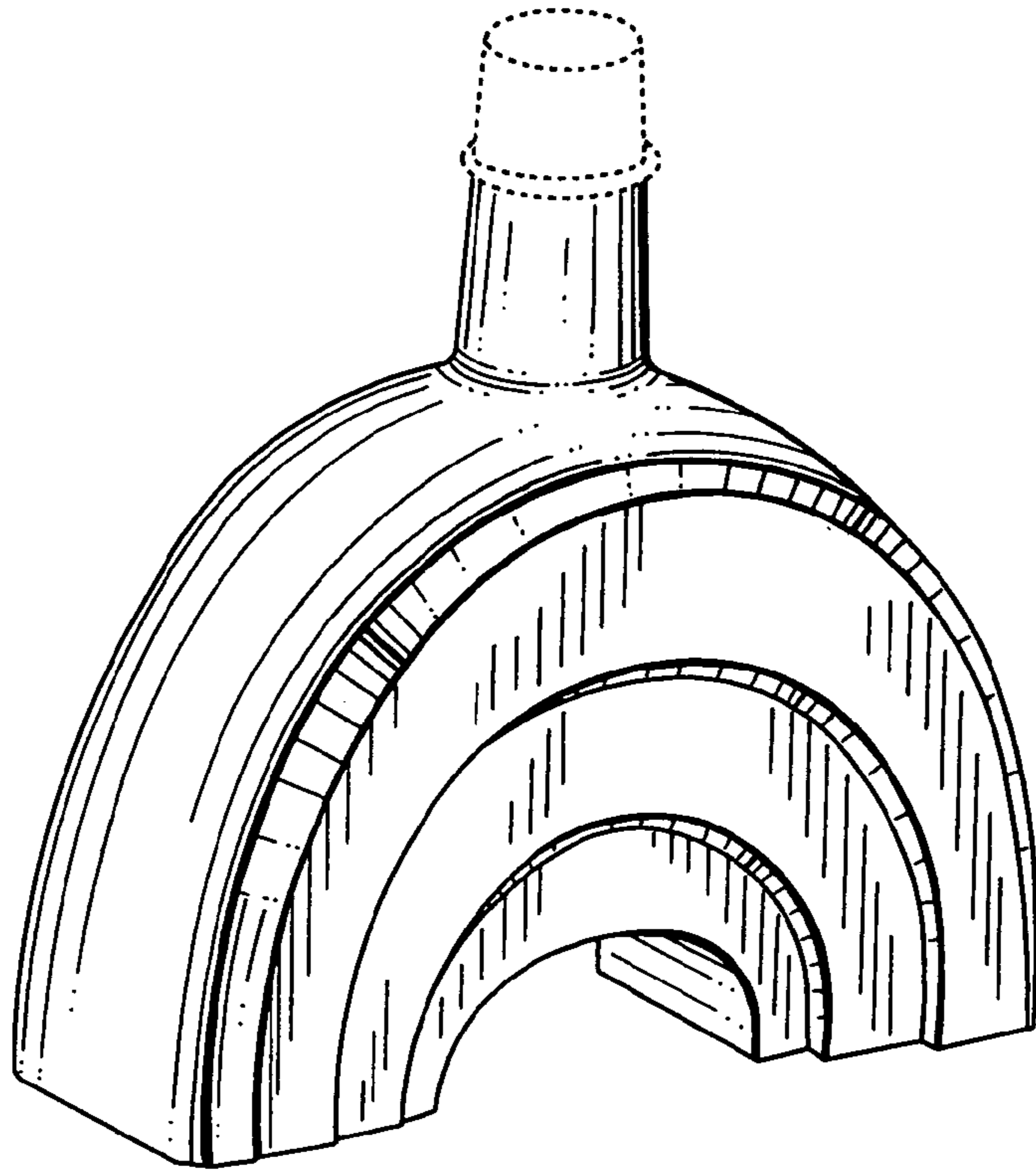


FIG. 1

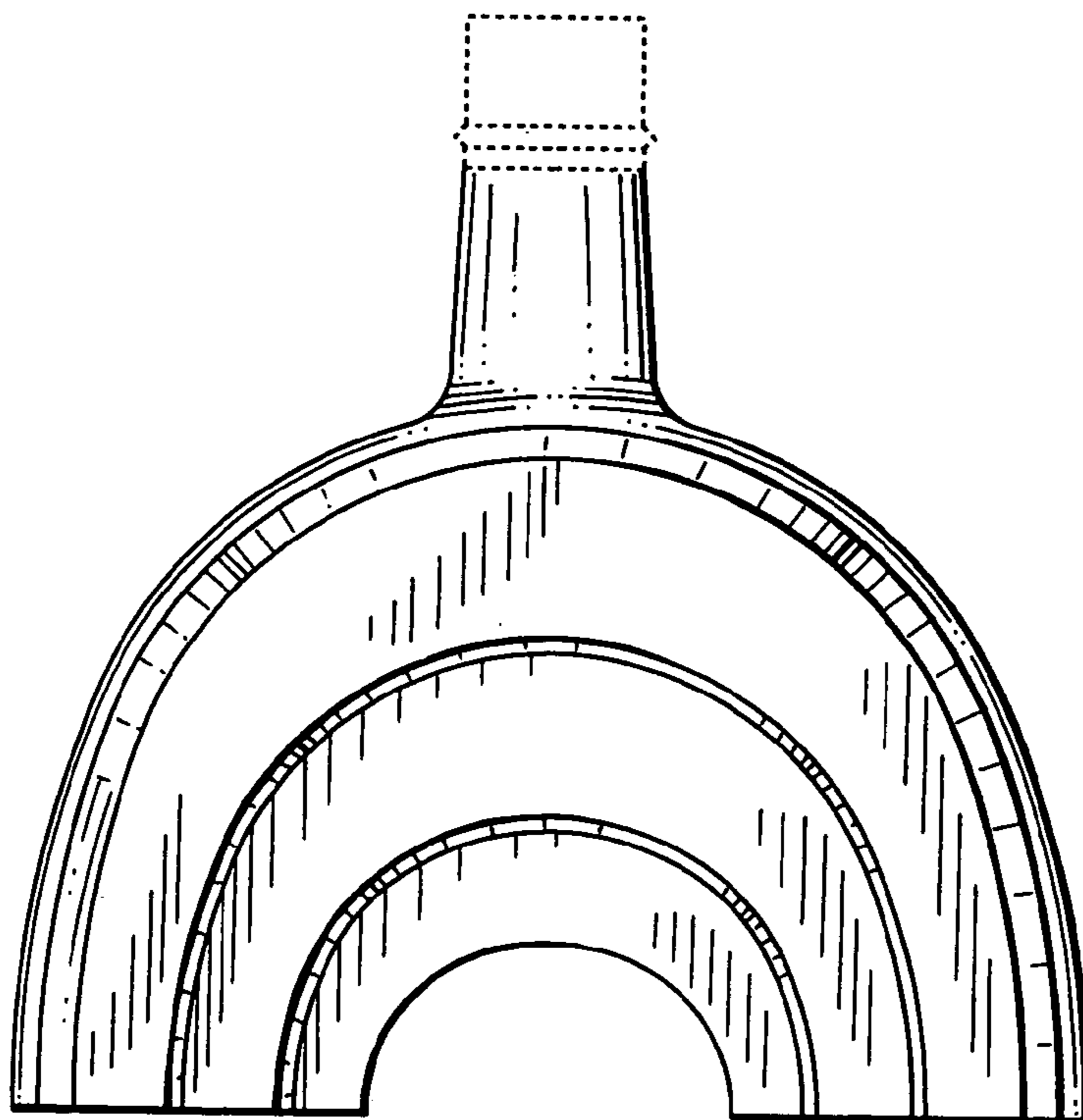


FIG. 2

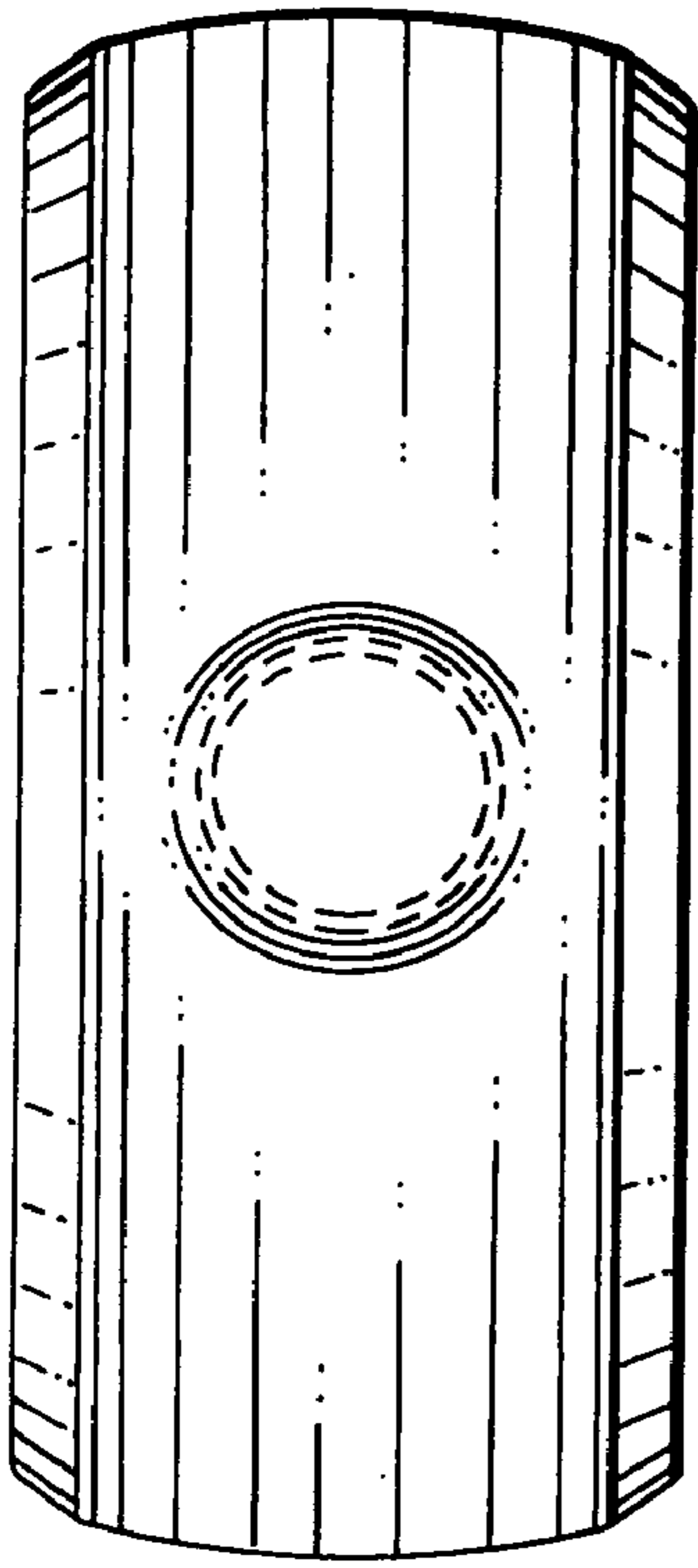


FIG. 4

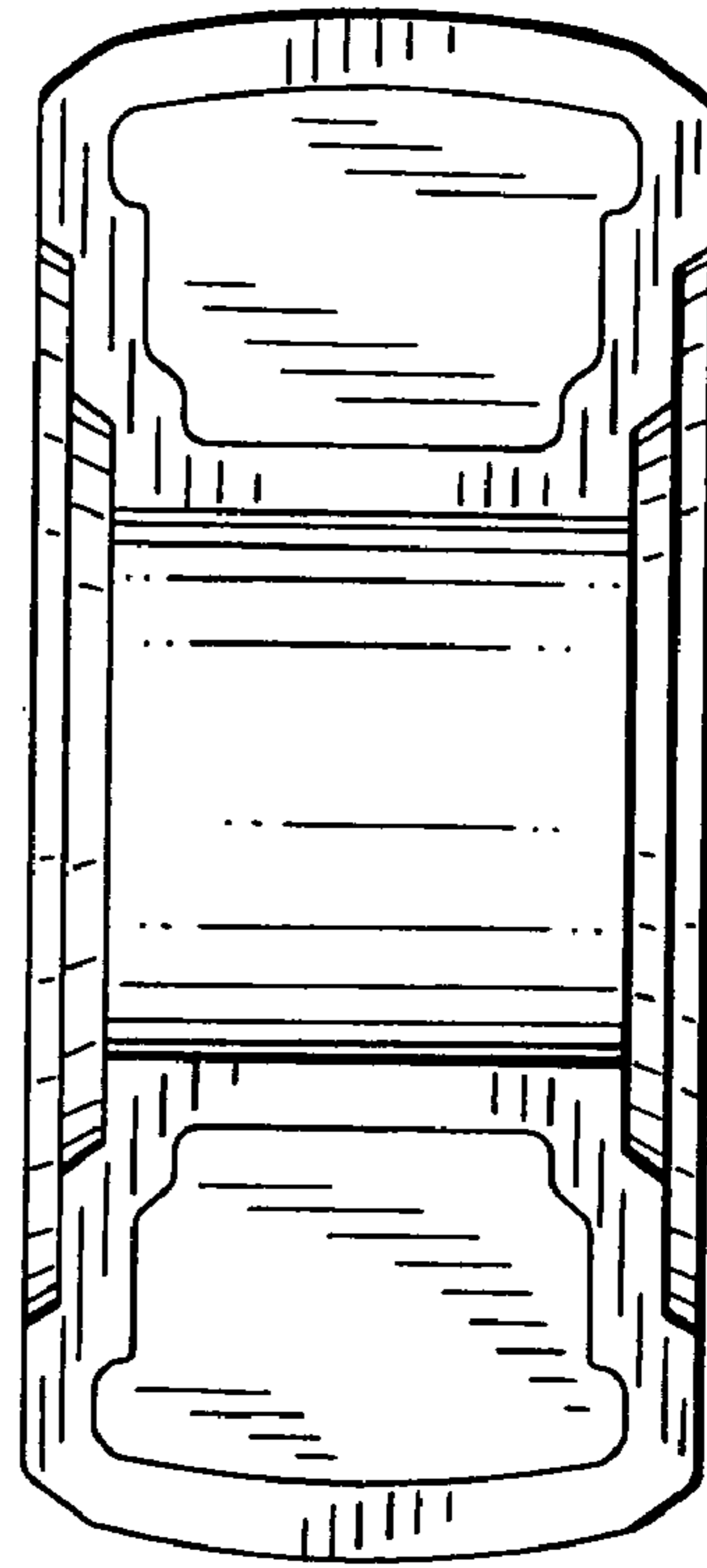


FIG. 5

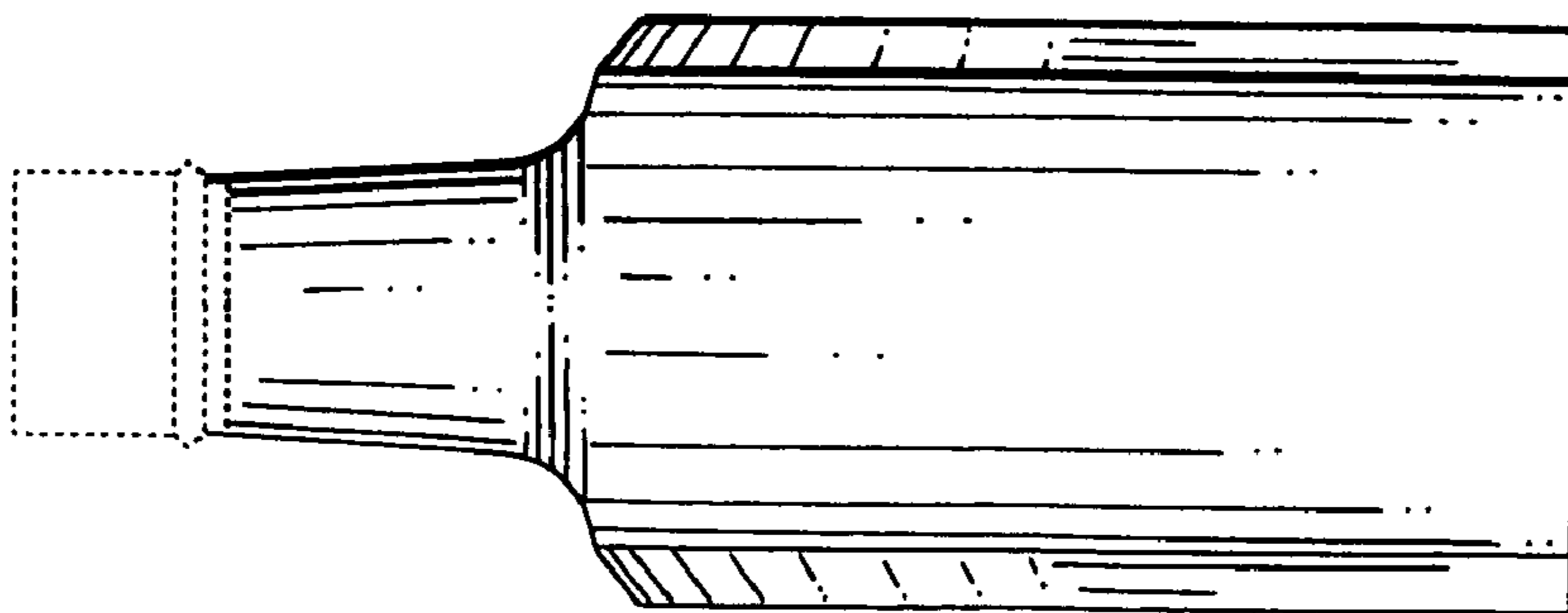


FIG. 3