



US00D562689S

(12) **United States Design Patent**
Antretter

(10) **Patent No.:** **US D562,689 S**

(45) **Date of Patent:** **** Feb. 26, 2008**

(54) **COMBINED PERFUME BOTTLE AND STOPPER**

(75) Inventor: **Jean Antretter**, Stamford, CT (US)

(73) Assignee: **Elizabeth Arden, Inc.**, New York, NY (US)

(**) Term: **14 Years**

(21) Appl. No.: **29/264,805**

(22) Filed: **Aug. 18, 2006**

(51) **LOC (8) Cl.** **09-01**

(52) **U.S. Cl.** **D9/544; D9/900; D9/559; D9/439**

(58) **Field of Classification Search** D9/694,
D9/723, 724, 516-575, 435, 439, 440, 452,
D9/900; D19/79, 93; 215/379, 382, 50,
215/228, 296-300, 355-364; 220/669, 662,
220/665, 674, 789, 801, 376, 377; 401/118-130;
D28/91.1

See application file for complete search history.

(56) **References Cited**

U.S. PATENT DOCUMENTS

576,150 A *	2/1897	Rathbun	401/126
D76,405 S	9/1928	Lavault	
D78,686 S *	6/1929	Daltroff	D9/546
D89,976 S	5/1933	Smith	
D98,040 S	12/1935	Lewis	
D98,913 S *	3/1936	Brand et al.	D19/79
D107,024 S	11/1937	Lohse	
D144,247 S	3/1946	Graham	
D167,981 S *	10/1952	Heftler-Louice	D28/91.1
D197,905 S	4/1964	Friedman et al.	
D253,455 S	11/1979	Beene	
D254,598 S *	4/1980	Grodin	D9/544
D256,332 S	8/1980	Messina	
D268,814 S	5/1983	Scalice	
D277,455 S *	2/1985	Tordjman	D9/546

D280,294 S	8/1985	Resnick	
D286,984 S	12/1986	Durand	
D387,271 S	12/1997	Bifulco	
D420,596 S *	2/2000	Maddy	D9/560
D428,577 S *	7/2000	Shanahan	D9/544
D526,567 S *	8/2006	Dalton	D9/544

OTHER PUBLICATIONS

HECHT'S Holiday Gifts advertising circular, Nov. 4-6, 1992 deliver date, p. 12: Jessica McClintock perfume bottle.*

Jones-North, Jacquelyn Y. Commercial Perfume Bottles. West Chester, Pa: Schiffer Publishing, Ltd. (c)1987; 1) p. 30: item 61 "Gardenglo" perfume bottle; 2) p. 100: bottom center, "Bellodglia" perfume bottle.*

Perfume, Cologne & Scent Bottles, by Jacquelyne Jones North, copyright 1986, No. 122, 99, 103.

* cited by examiner

Primary Examiner—Catherine Tuttle

(74) *Attorney, Agent, or Firm*—McCarter & English, LLP

(57) **CLAIM**

The ornamental design for a combined perfume bottle and stopper, as shown and described.

DESCRIPTION

FIG. 1 is a front perspective view of the combined perfume bottle and stopper;

FIG. 2 is a front elevational view thereof;

FIG. 3 is a rear elevational view thereof;

FIG. 4 is a left side elevational view thereof;

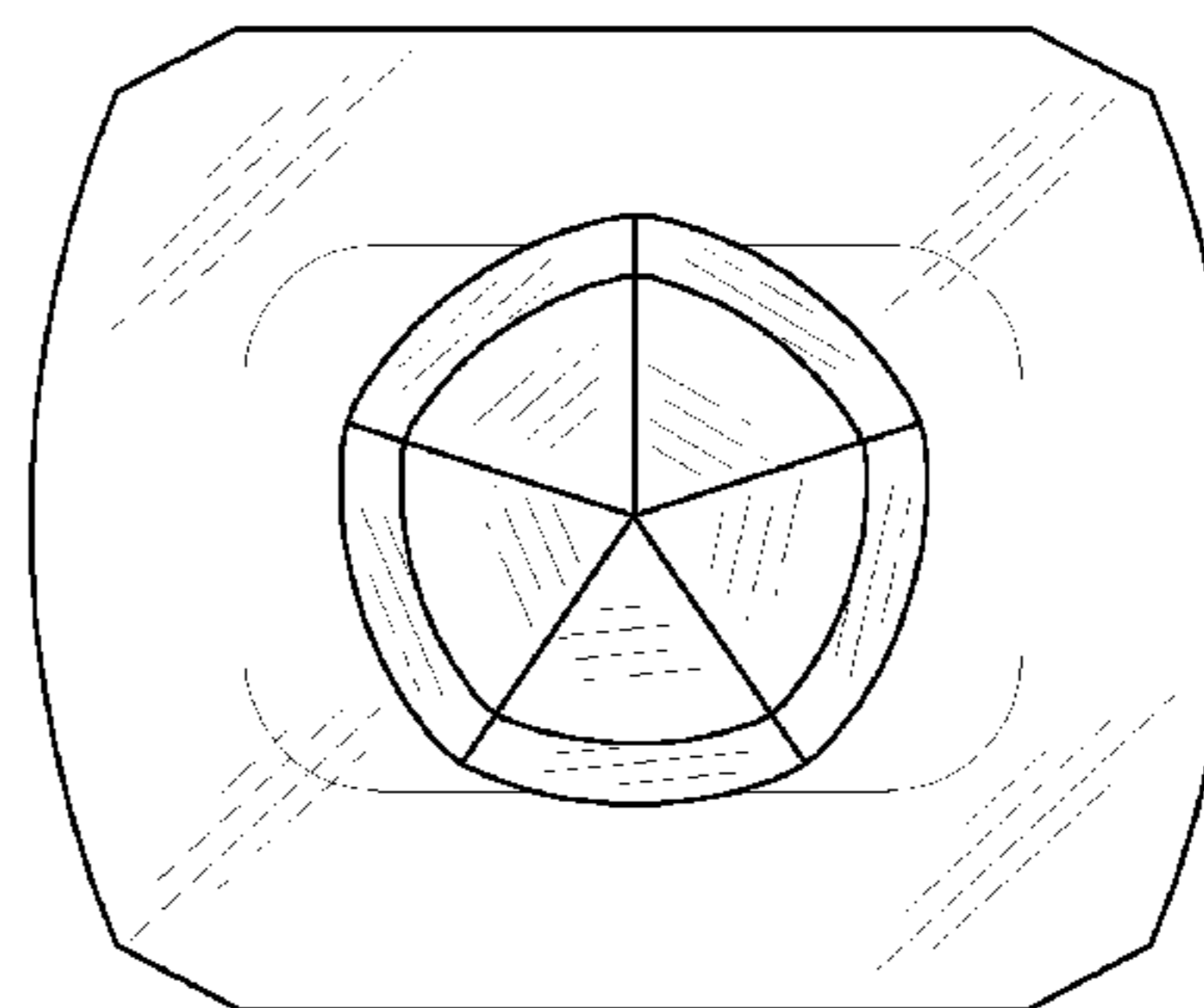
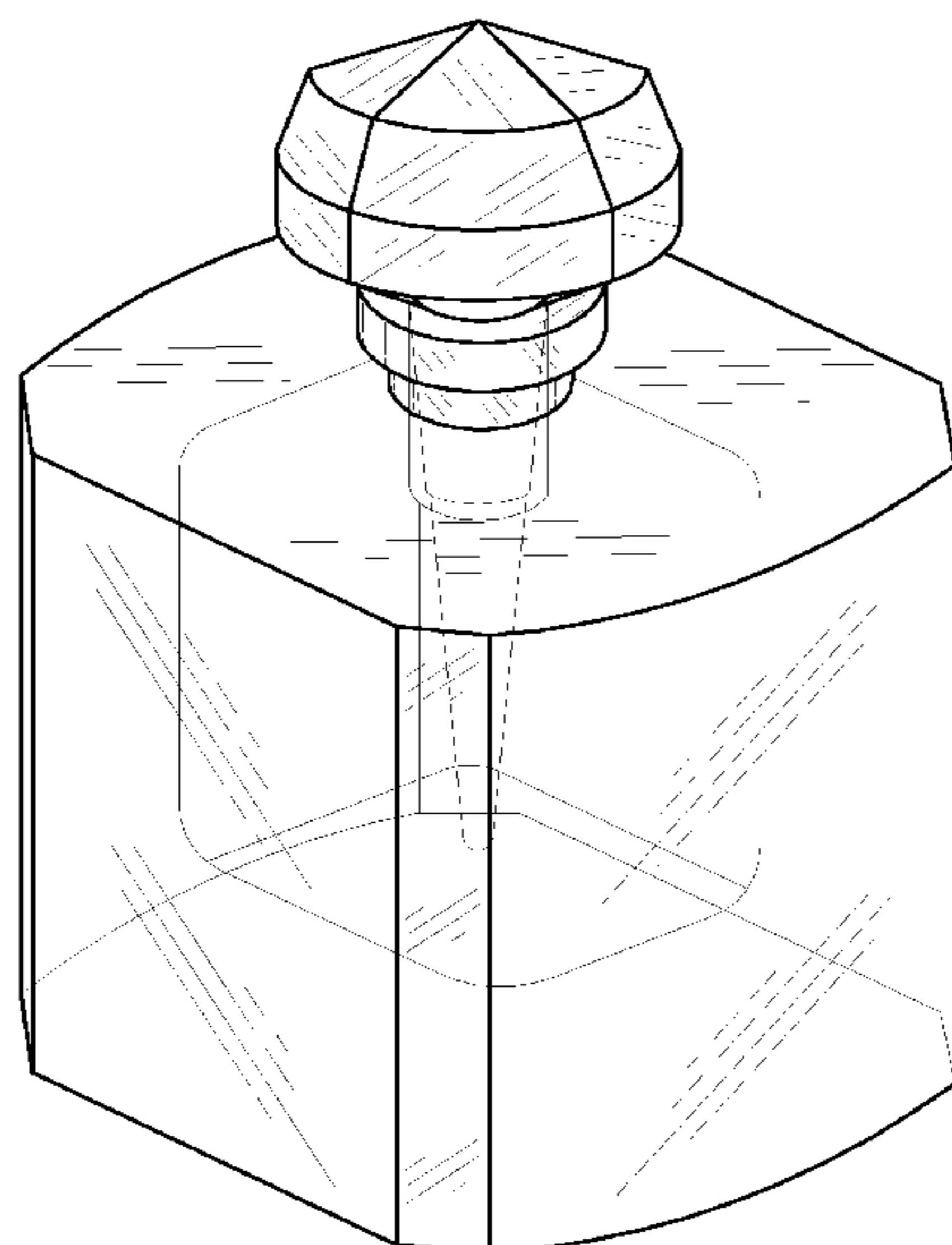
FIG. 5 is a right side elevational view thereof;

FIG. 6 is a top plan view thereof;

FIG. 7 is a bottom plan view thereof; and,

FIG. 8 is a front perspective view of the stopper, shown separate from the bottle for clarity of disclosure.

1 Claim, 6 Drawing Sheets



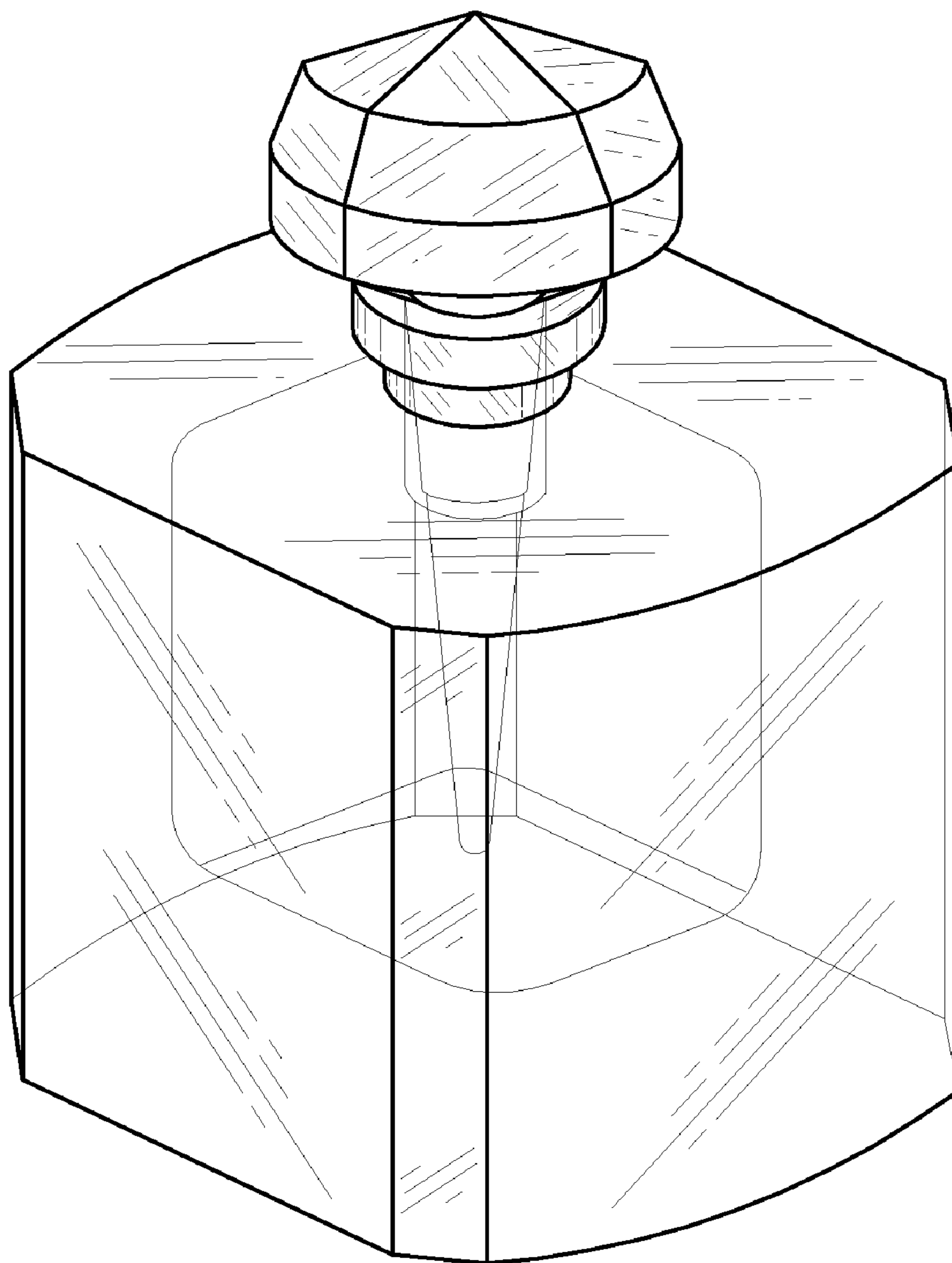


FIG. 1

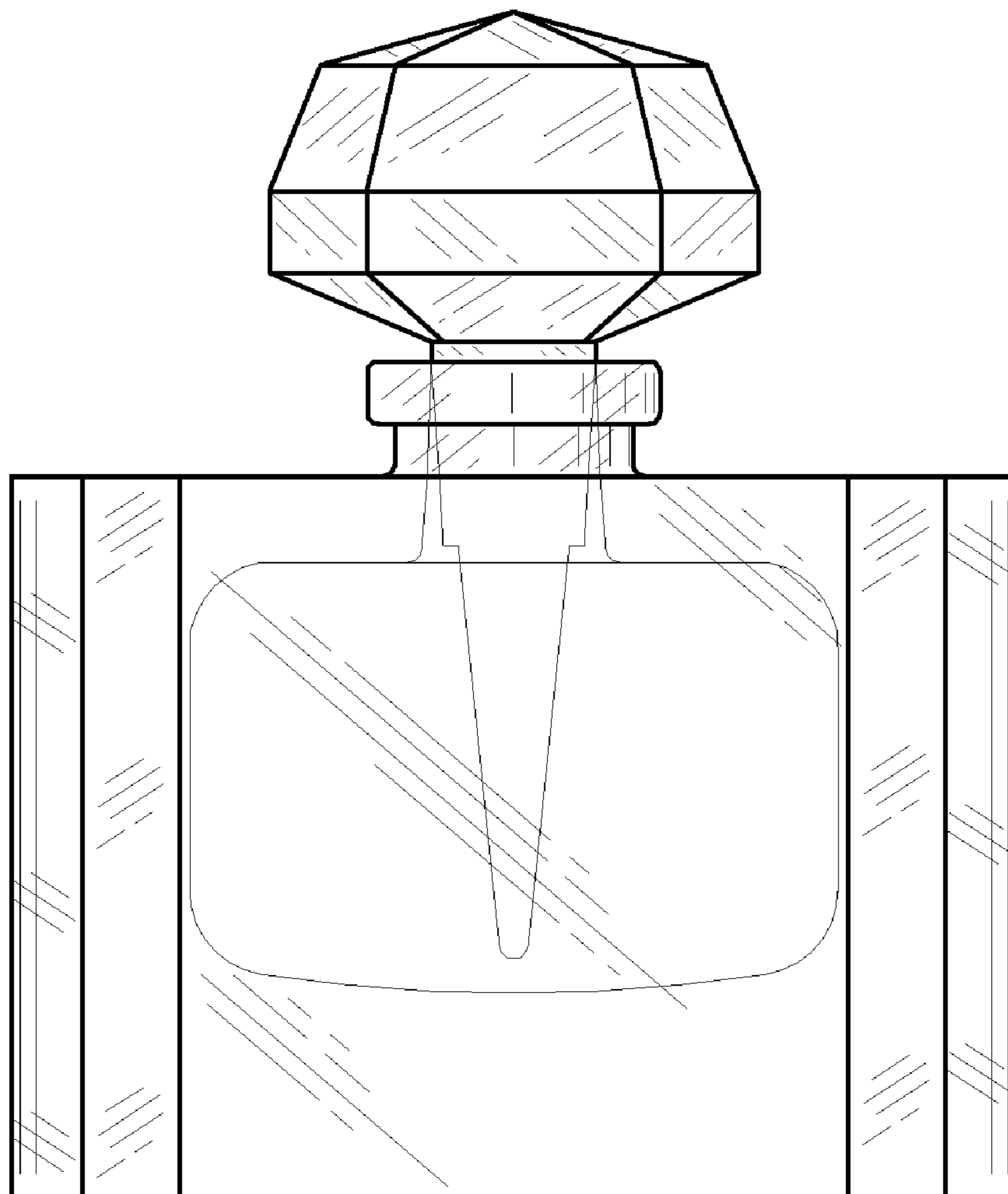


FIG. 2

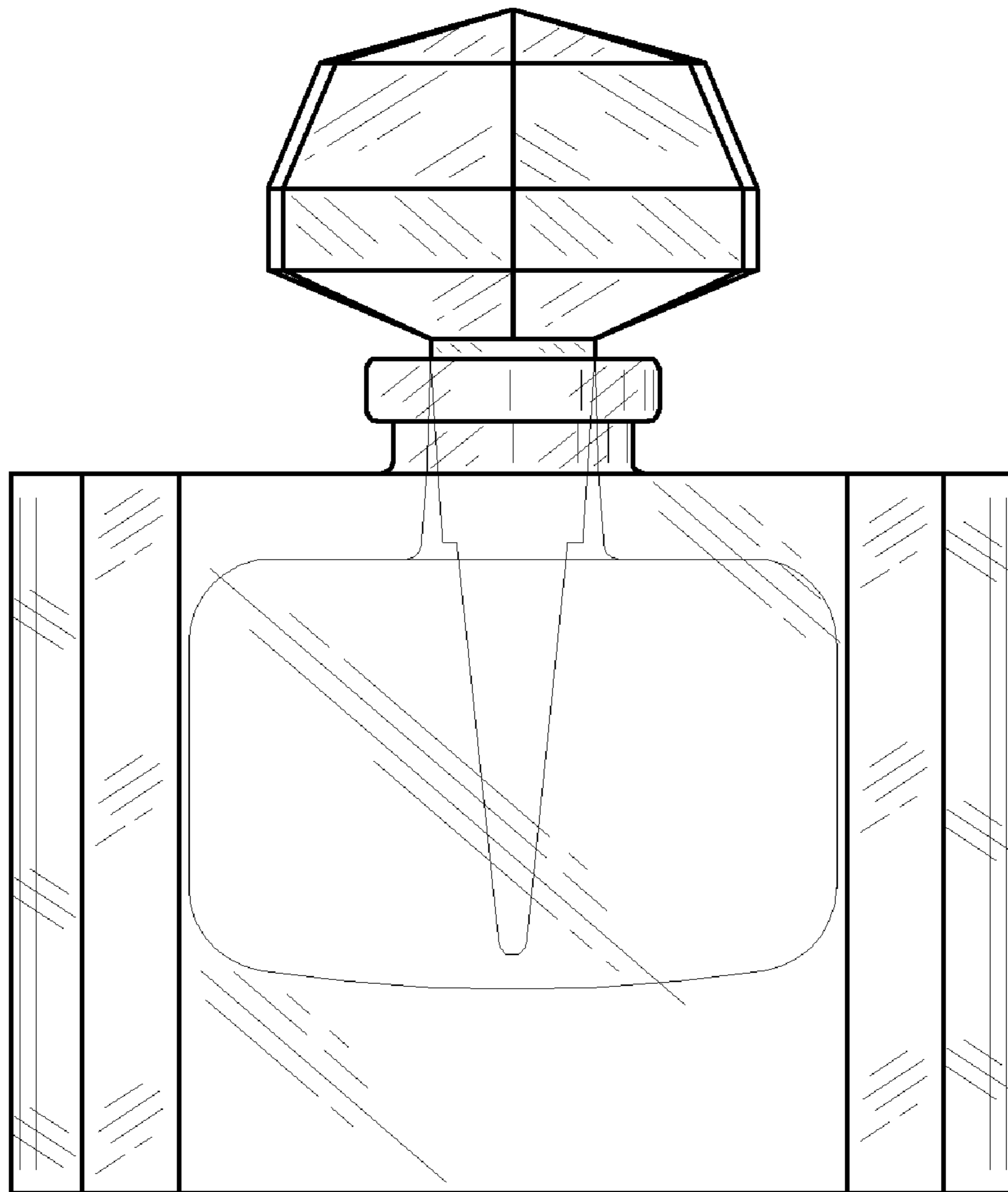


FIG. 3

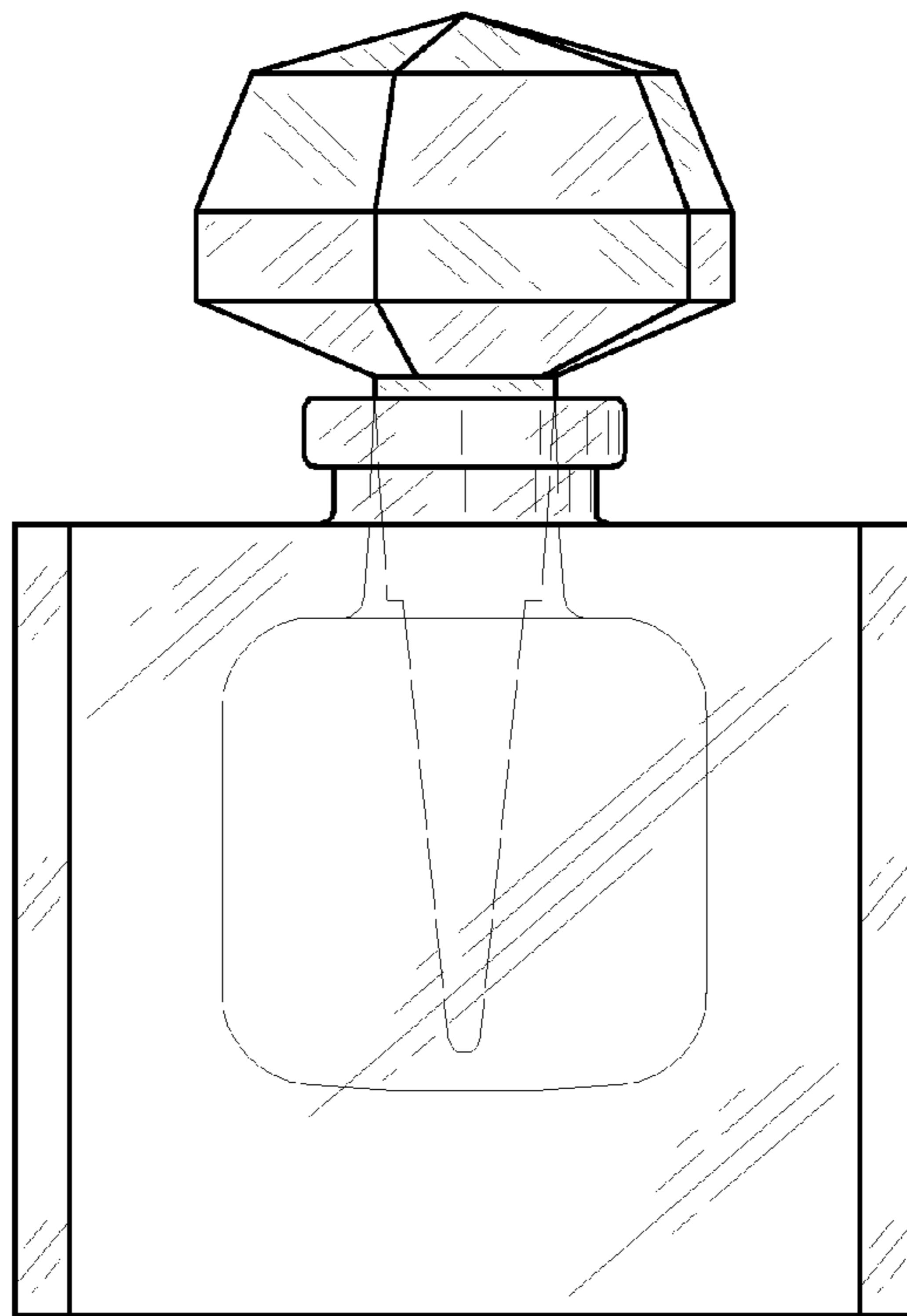


FIG. 4

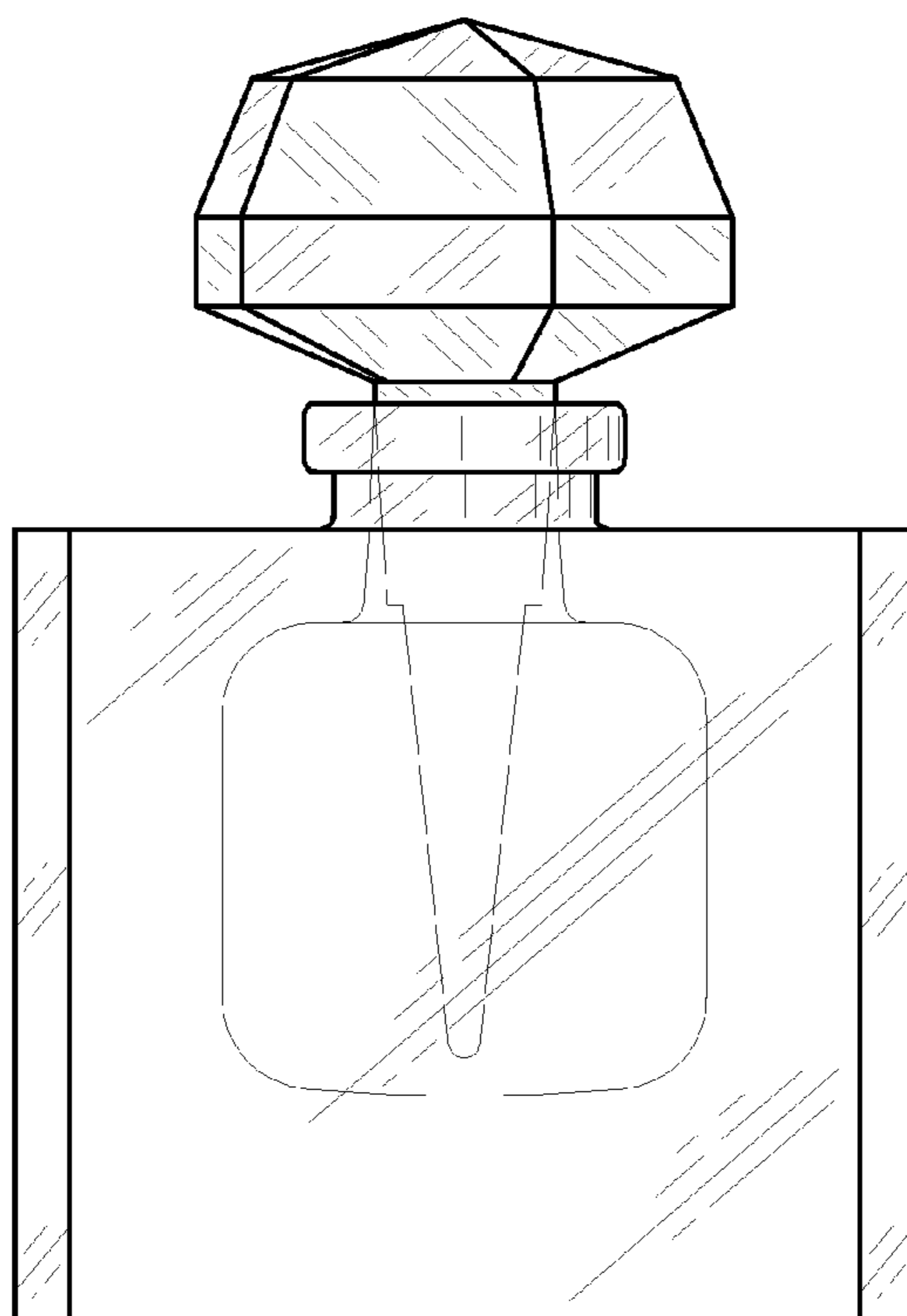


FIG. 5

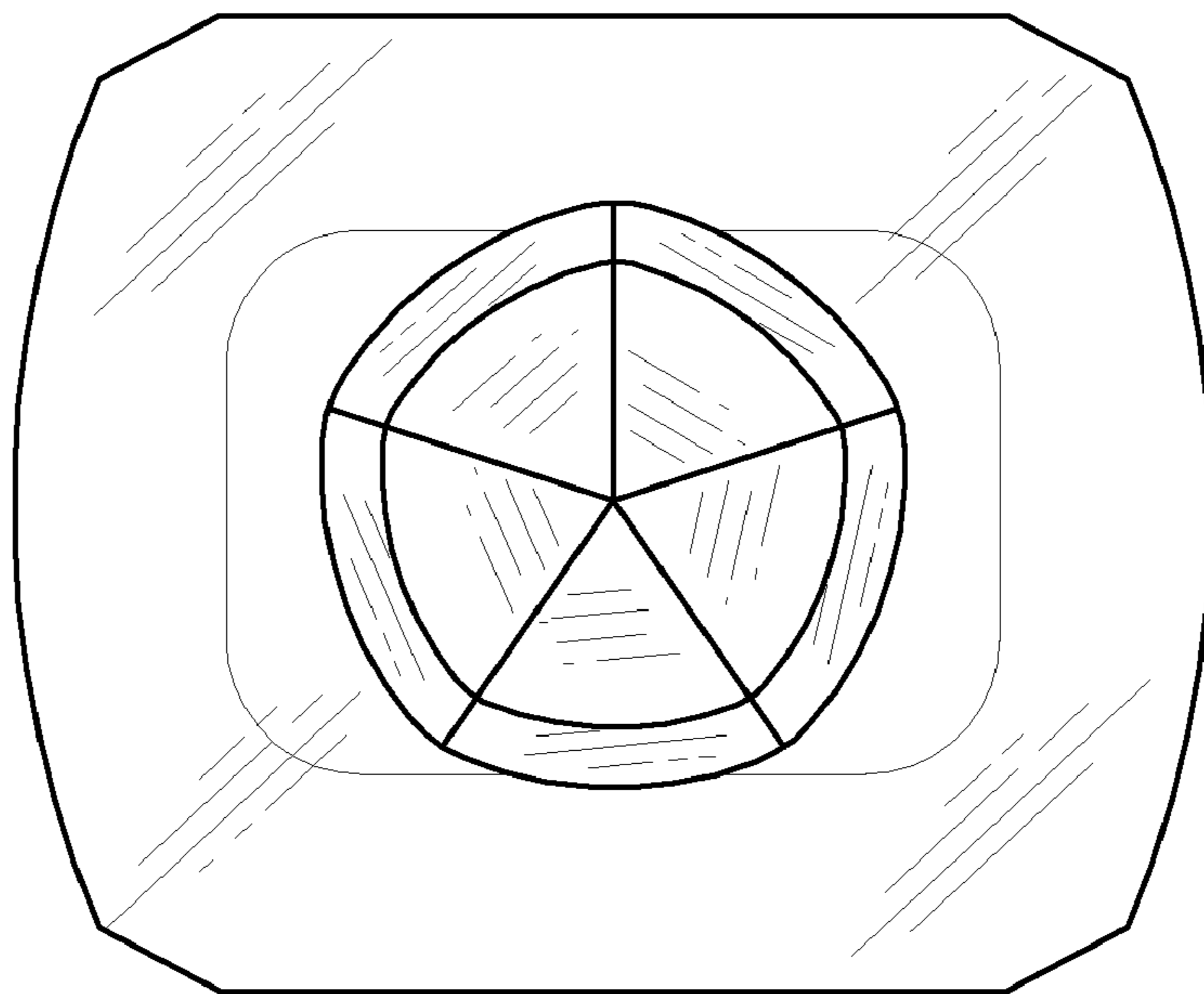


FIG. 6

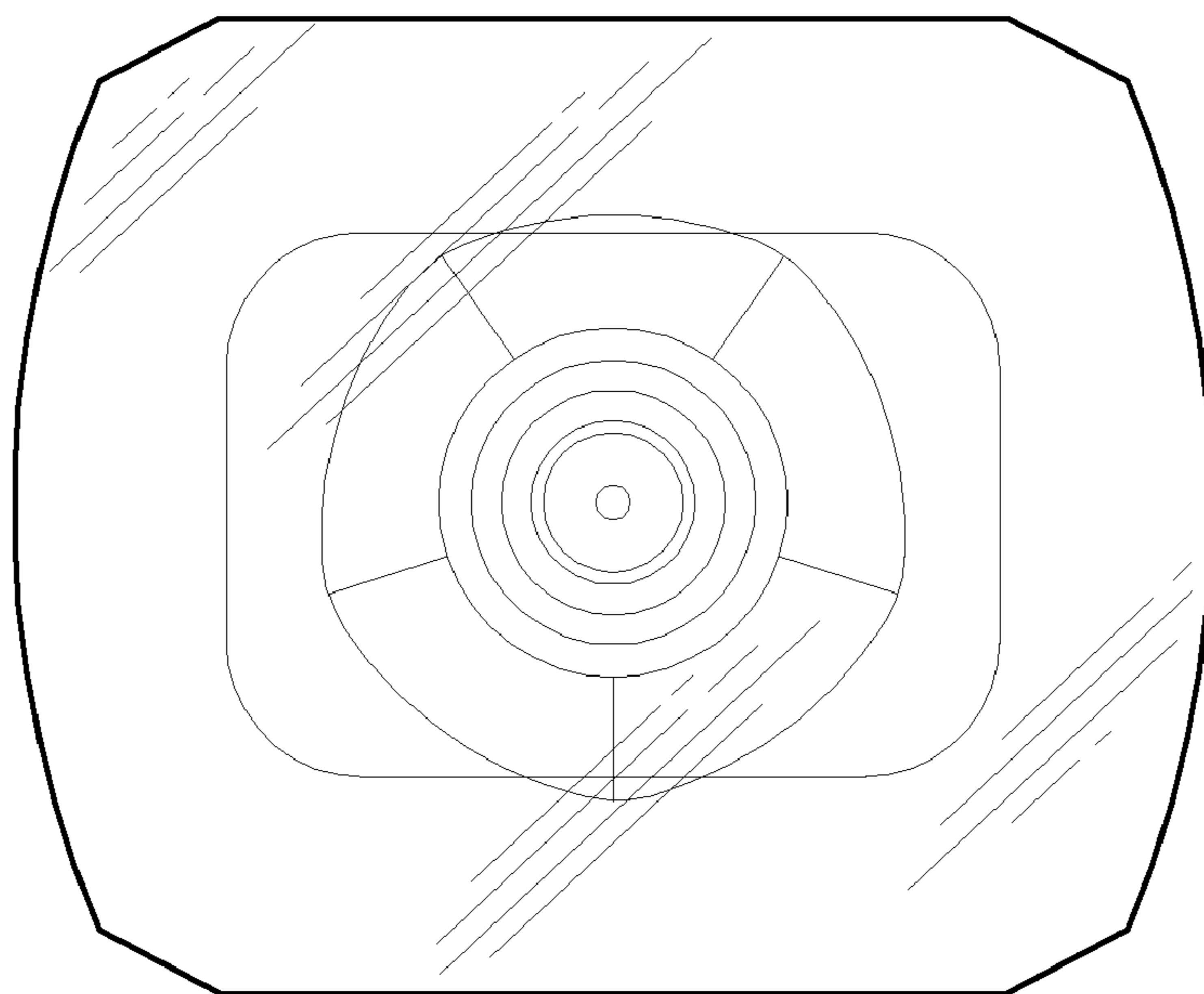


FIG. 7

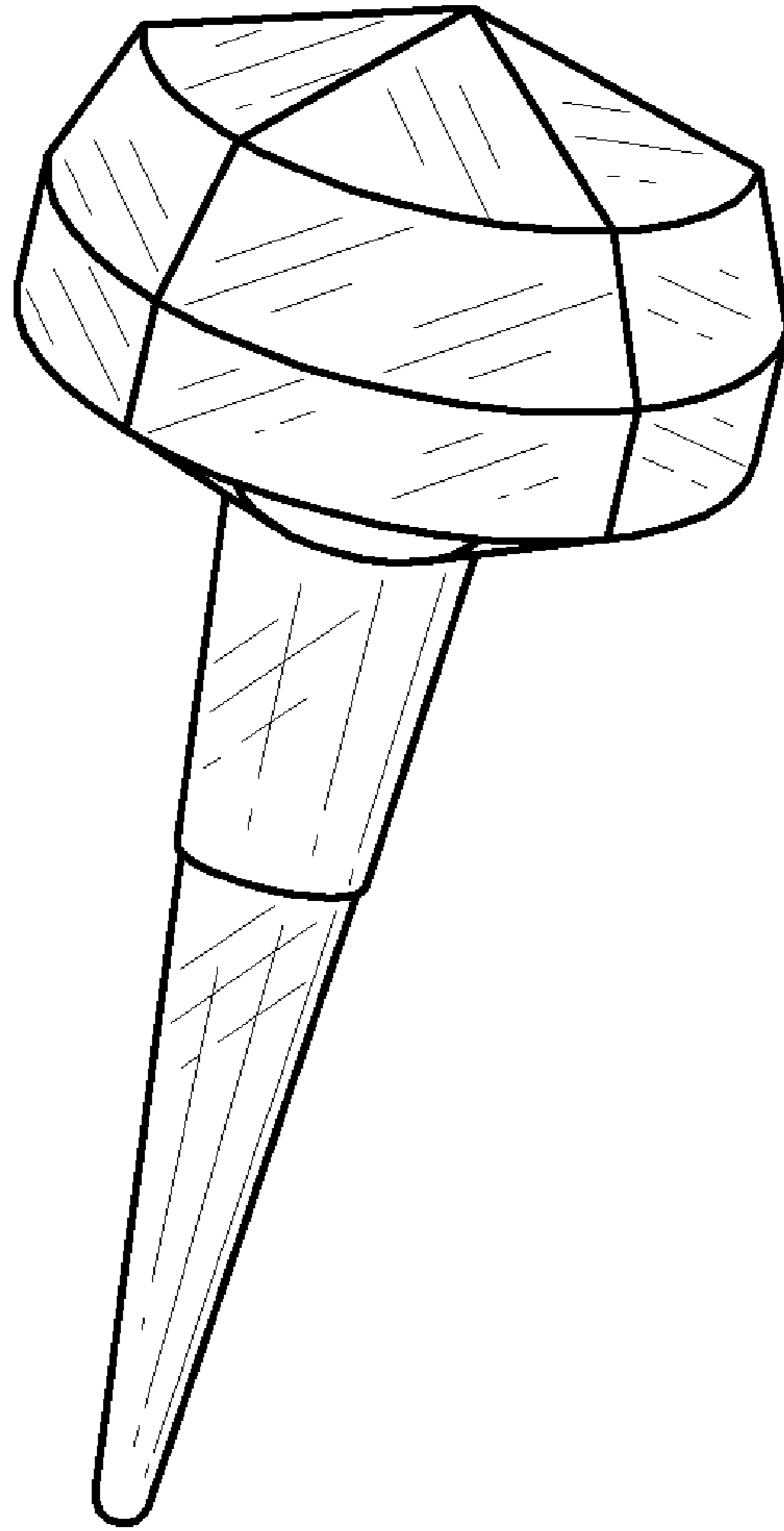


FIG. 8