



US00D562687S

(12) **United States Design Patent**
Kaufman

(10) **Patent No.:** **US D562,687 S**

(45) **Date of Patent:** **** Feb. 26, 2008**

(54) **CONTAINER**

(76) **Inventor:** **Stacy Kaufman**, P.O. Box 267217,
Sunrise, FL (US) 33326

(**) **Term:** **14 Years**

(21) **Appl. No.:** **29/247,511**

(22) **Filed:** **Jun. 23, 2006**

(51) **LOC (8) Cl.** **09-01**

(52) **U.S. Cl.** **D9/522**

(58) **Field of Classification Search** D9/430,
D9/432, 434, 516, 522-523, 529-530, 532,
D9/560, 575; D7/612-615; D19/75; 220/660,
220/669, 675

See application file for complete search history.

(56) **References Cited**

U.S. PATENT DOCUMENTS

D273,563 S *	4/1984	Jeans et al.	D9/522
D285,535 S *	9/1986	Buchholz et al.	D9/522
D469,787 S *	2/2003	Wicker	D15/79
D474,115 S *	5/2003	Walsh et al.	D9/532
D480,974 S *	10/2003	Blank	D9/543
D491,467 S *	6/2004	Walsh et al.	D9/522
D495,603 S *	9/2004	Walsh et al.	D9/522
D497,311 S *	10/2004	Walsh et al.	D9/522
D500,679 S *	1/2005	Walsh et al.	D9/522
D501,795 S *	2/2005	Walsh et al.	D9/522

D510,866 S *	10/2005	Nottingham et al.	D9/502
D529,387 S *	10/2006	Toth et al.	D9/522
2003/0102339 A1 *	6/2003	Walsh et al.	222/567

* cited by examiner

Primary Examiner—Ian Simmons

Assistant Examiner—Anna J Burmeister

(74) *Attorney, Agent, or Firm*—David W. Barman; Robert M. Schwartz

(57) **CLAIM**

The ornamental design of a container, as shown and described.

DESCRIPTION

FIG. 1 is a front view of the container of the present invention.

FIG. 2 is a rear view of the container.

FIG. 3 is a left side view of the container.

FIG. 4 is a bottom view of the container.

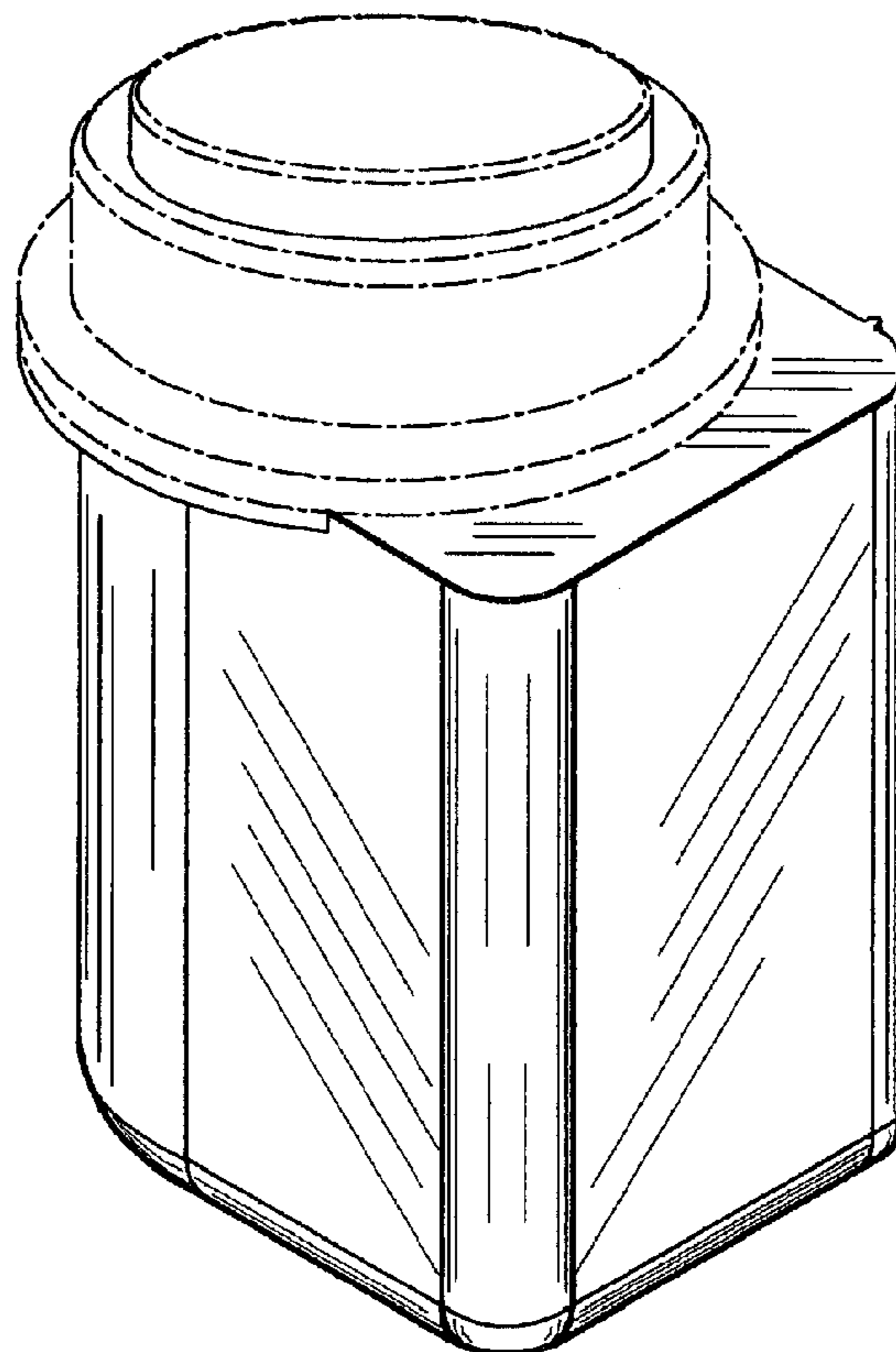
FIG. 5 is a right side view of the container.

FIG. 6 is a top view of the container; and,

FIG. 7 is a perspective view of the container.

The broken lines shown in the drawings are for illustrative purposes only and form no part of the claimed design.

1 Claim, 4 Drawing Sheets



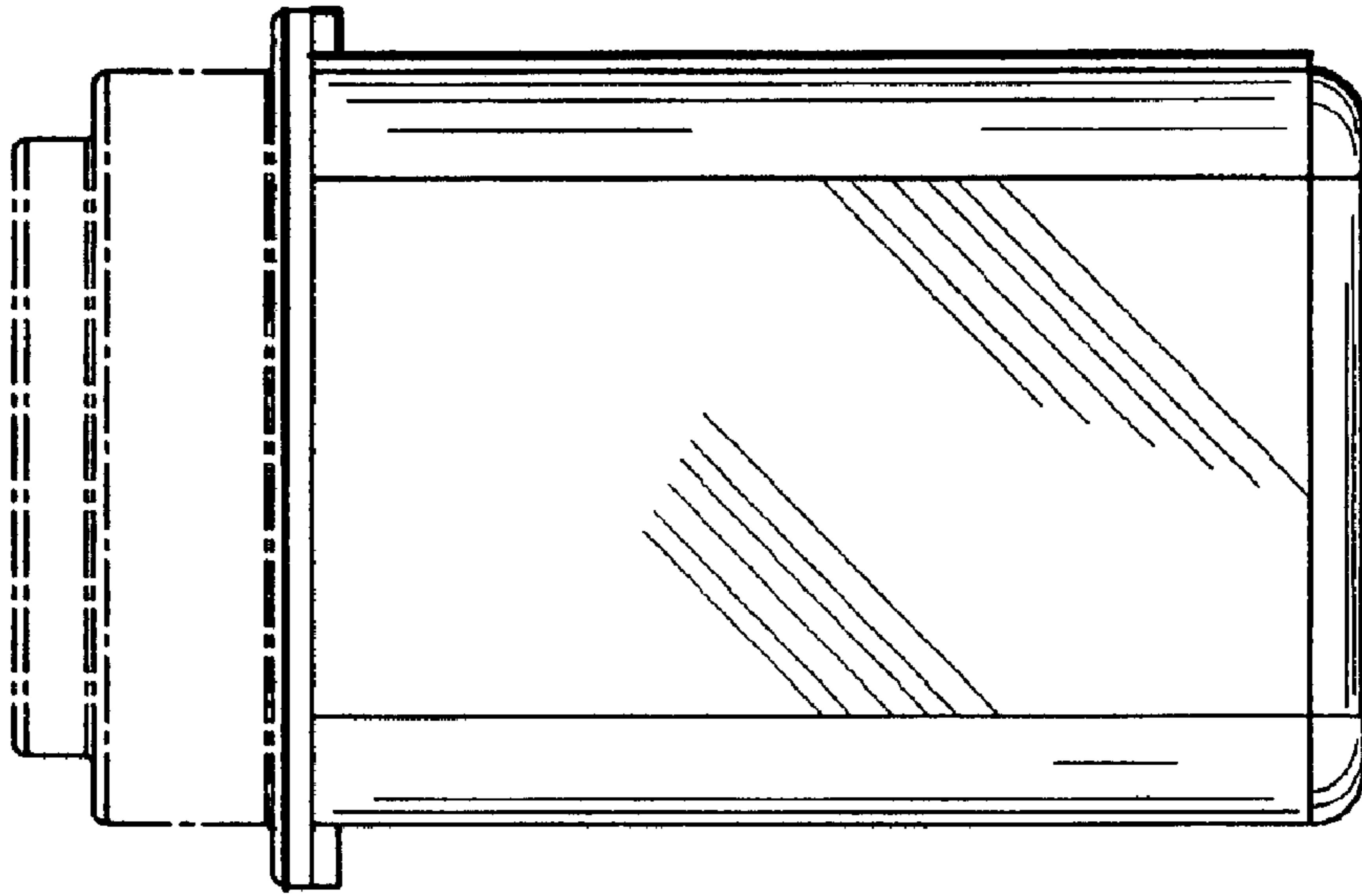


FIG. 2

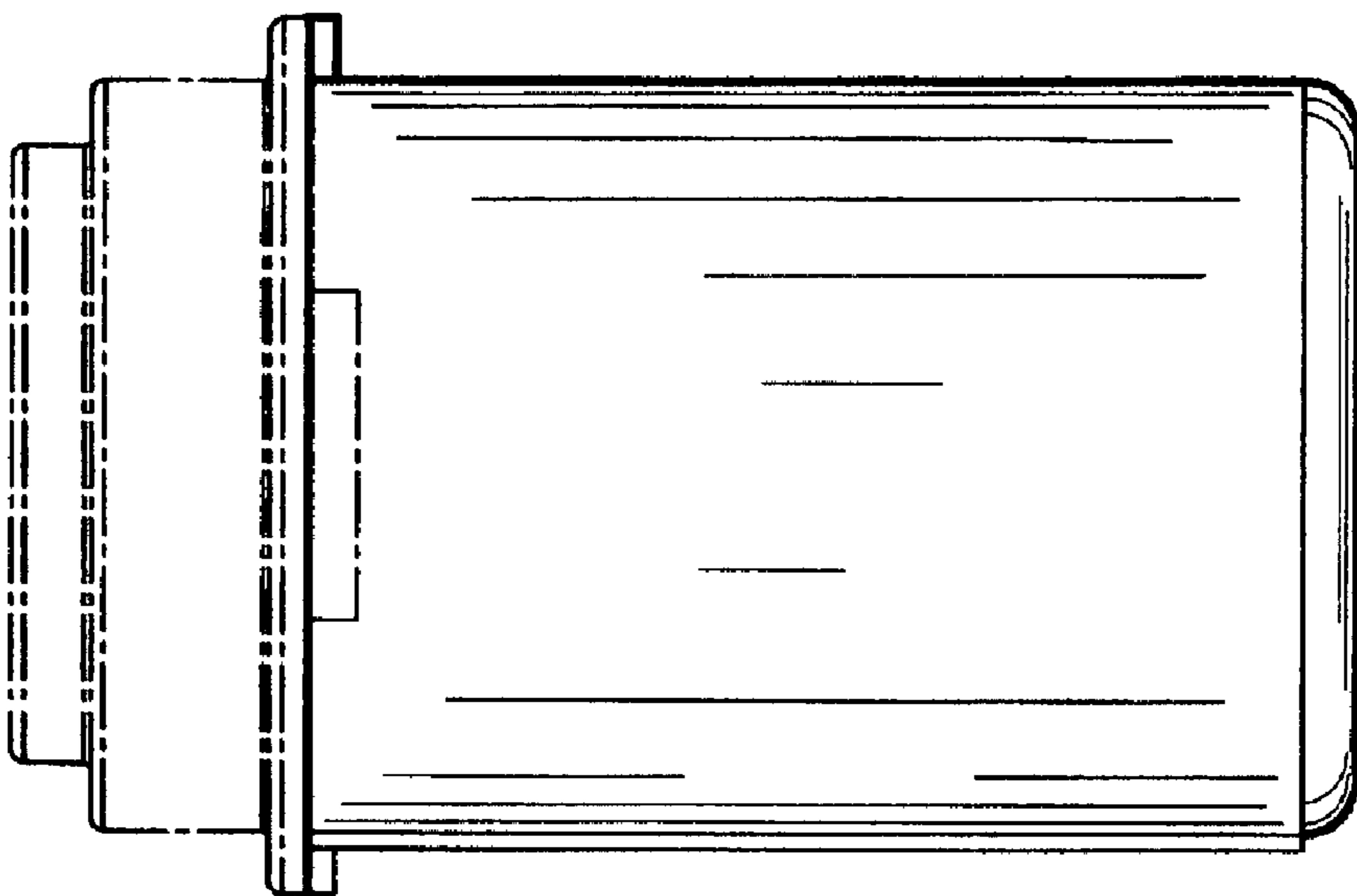


FIG. 1

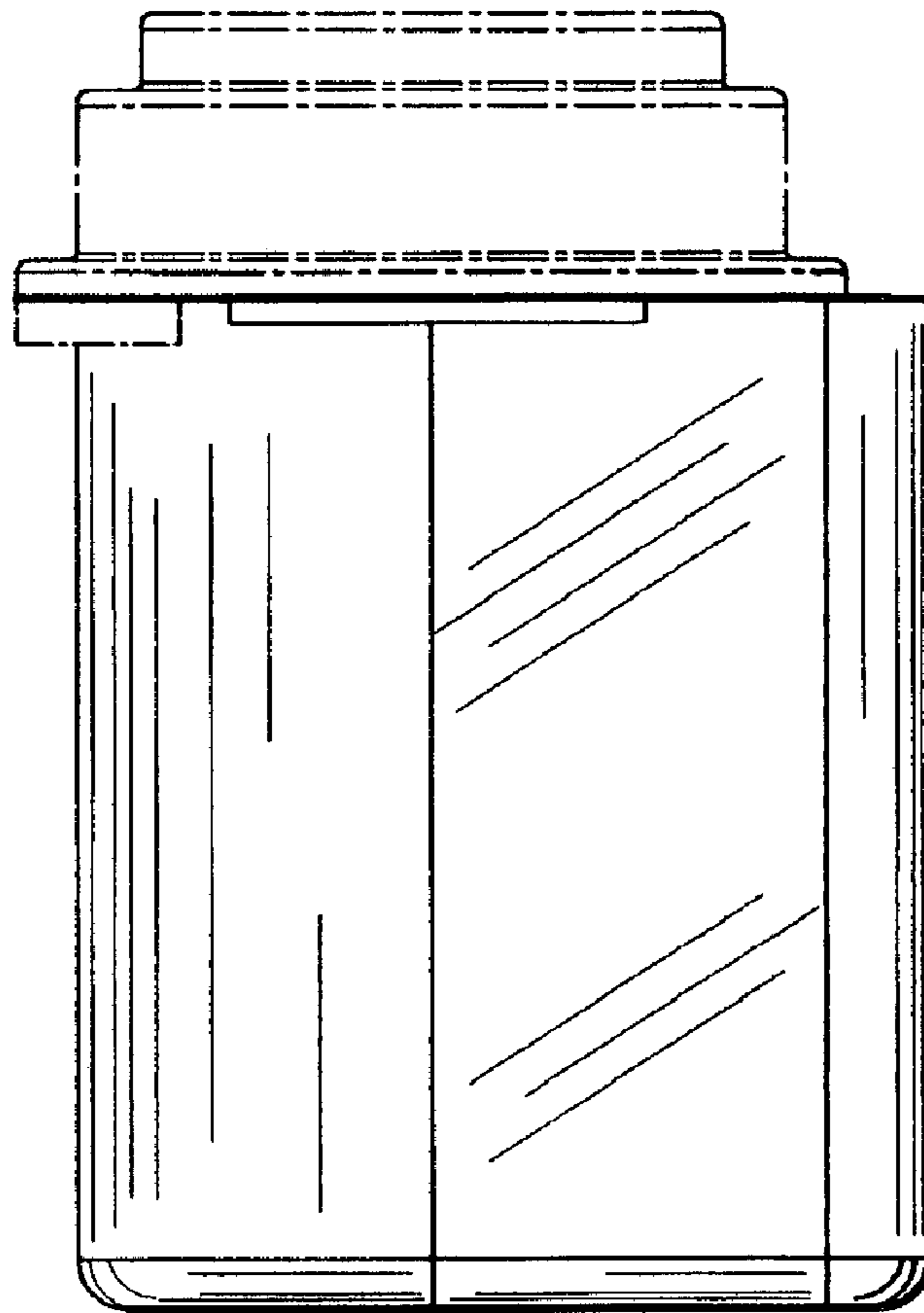
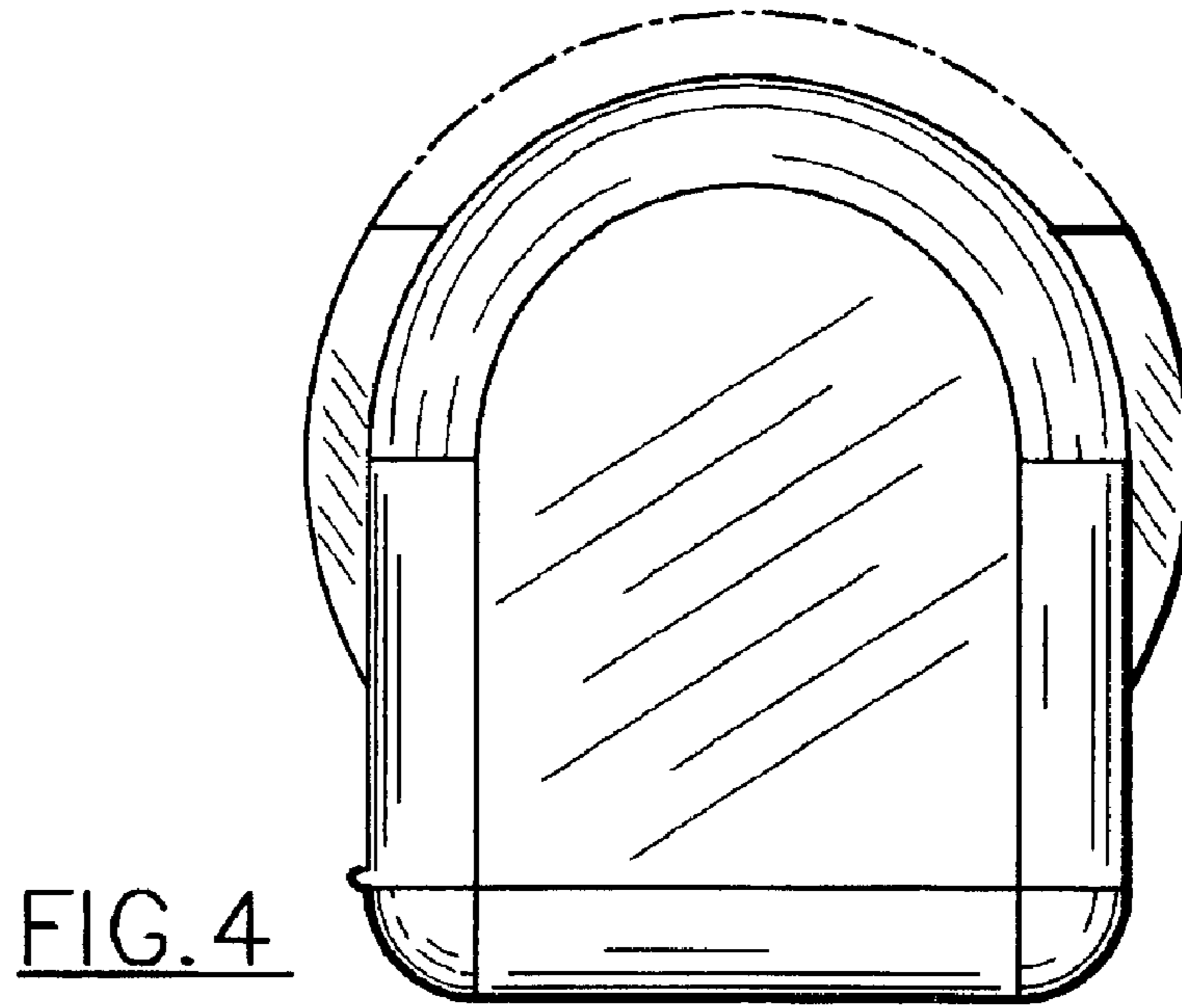


FIG. 6

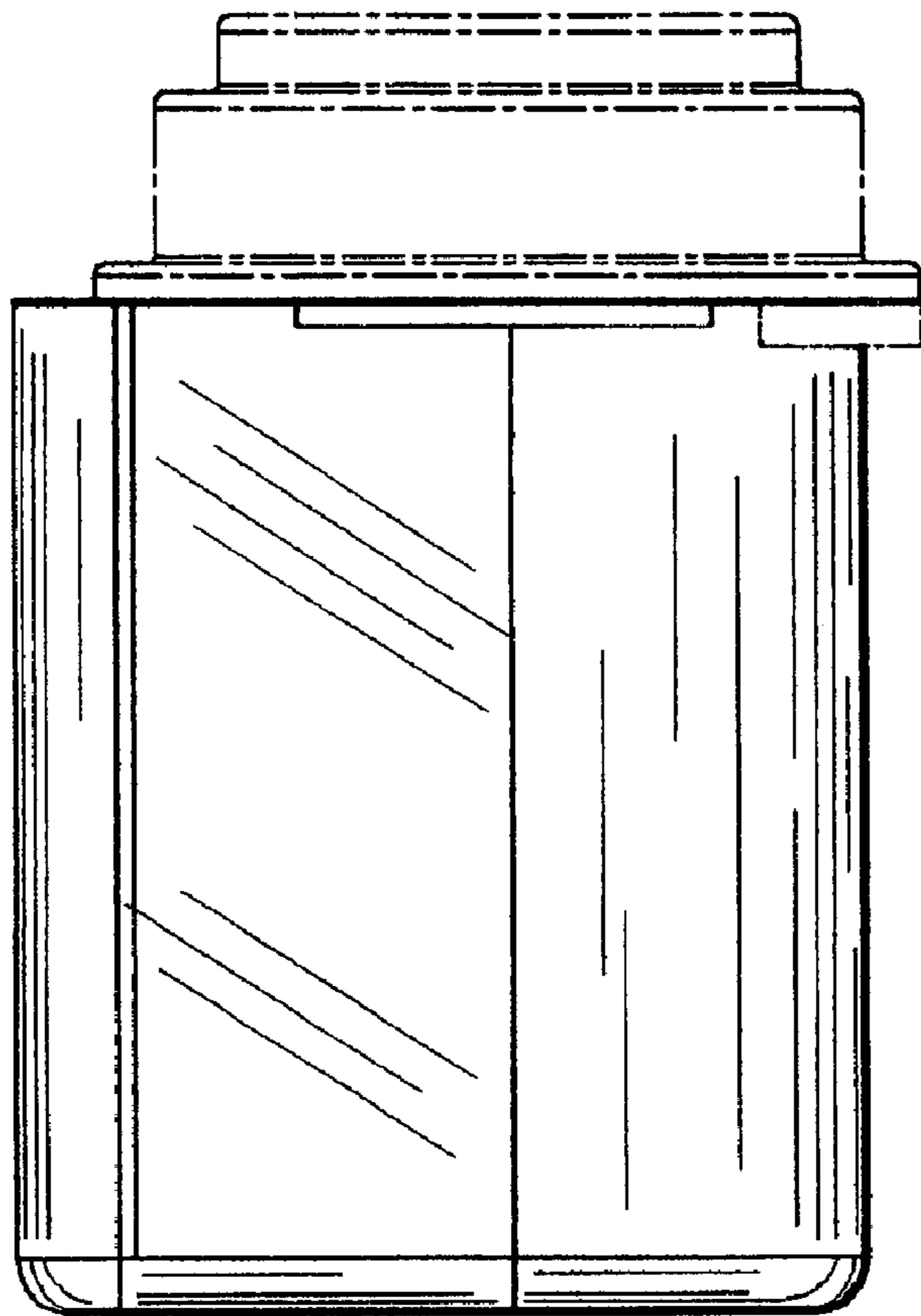
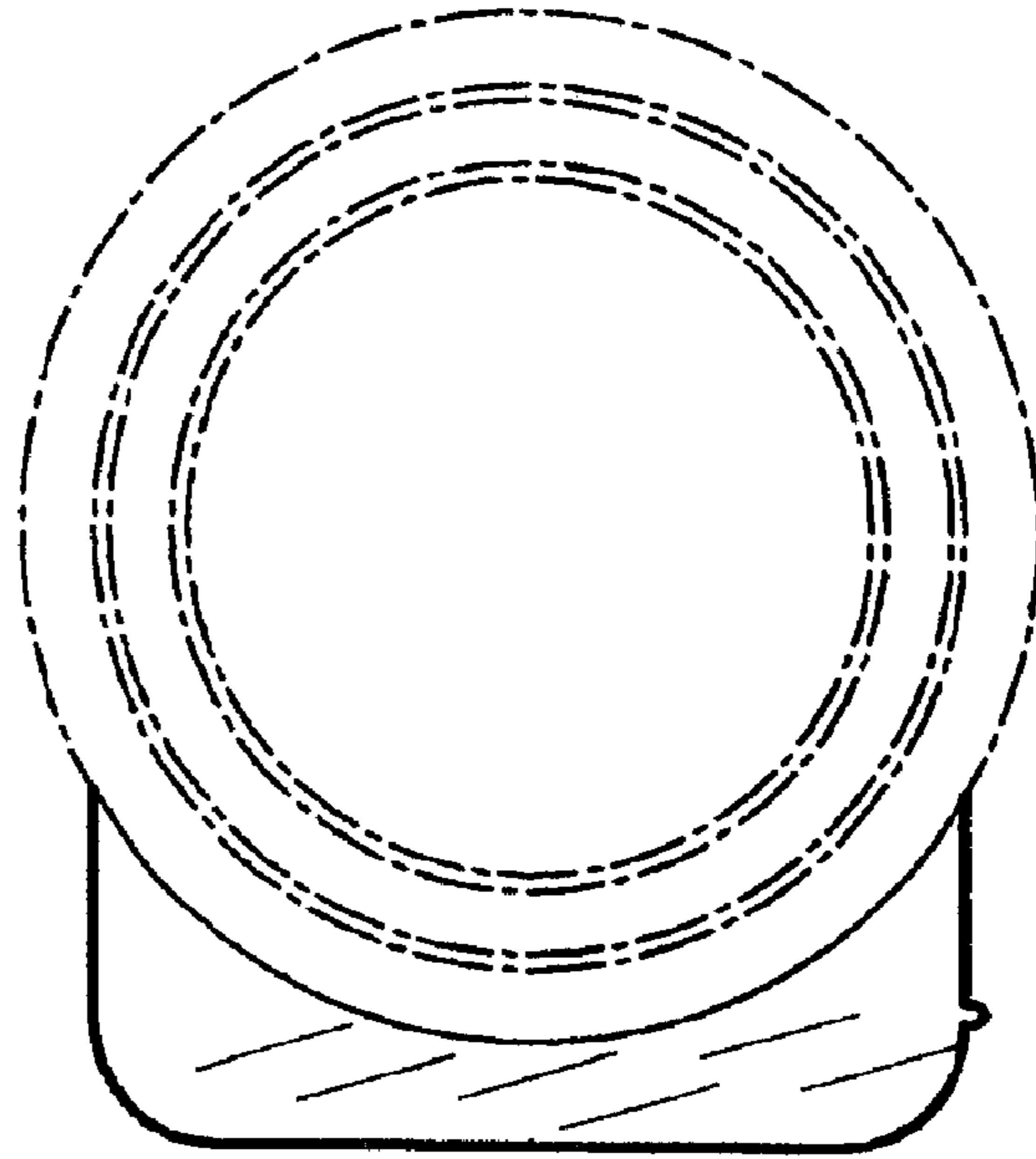


FIG. 5

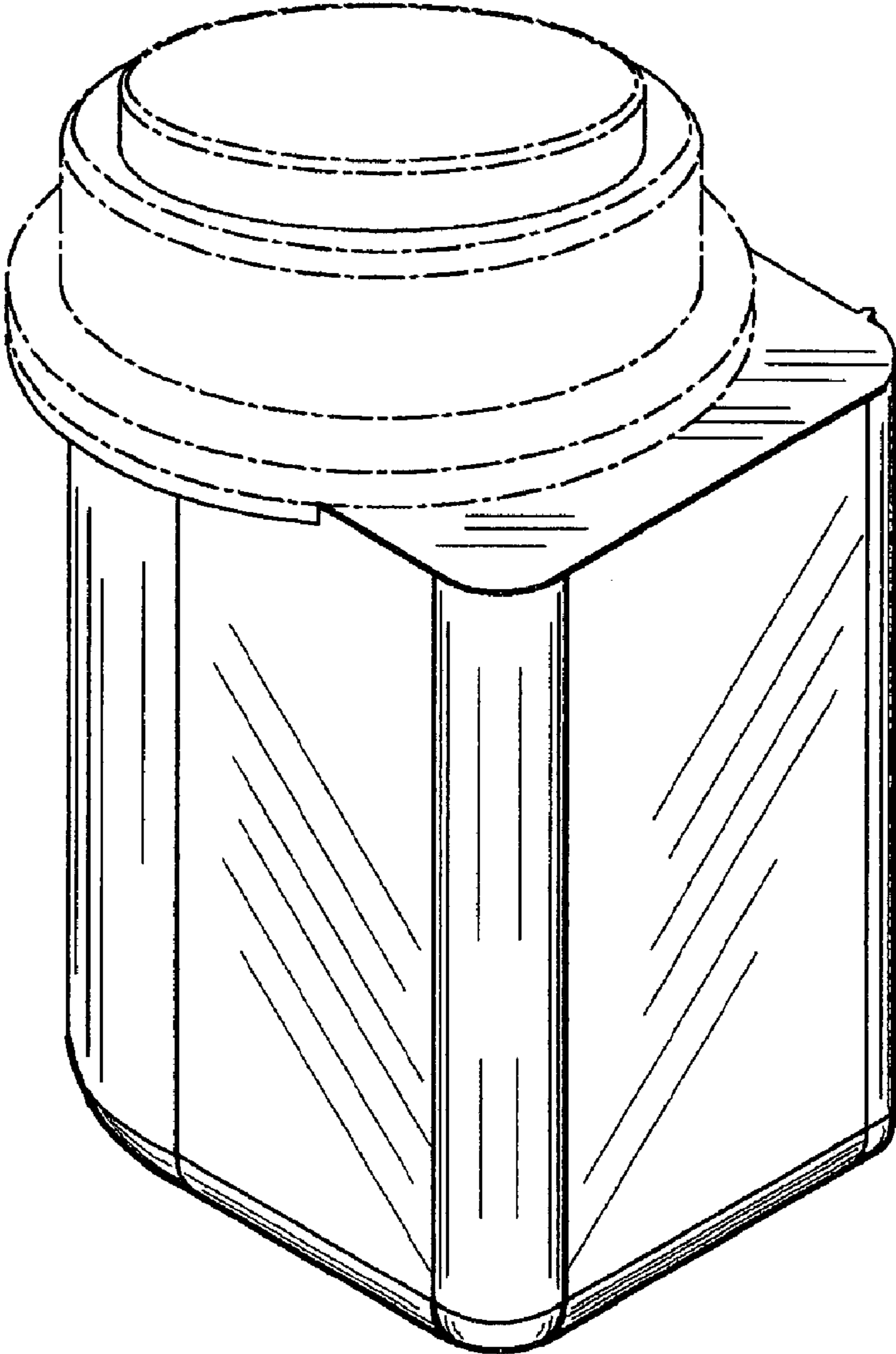


FIG. 7