



US00D562686S

(12) **United States Design Patent**
Fukuda

(10) **Patent No.:** **US D562,686 S**

(45) **Date of Patent:** **** Feb. 26, 2008**

(54) **BOTTLE**

(75) **Inventor:** **Tetsuo Fukuda**, Tokushimaken (JP)

(73) **Assignee:** **Otsuka Pharmaceutical Co., Ltd.**,
Tokyo (JP)

(**) **Term:** **14 Years**

(21) **Appl. No.:** **29/198,668**

(22) **Filed:** **Feb. 3, 2004**

(30) **Foreign Application Priority Data**

Aug. 4, 2003 (JP) 2003-022579

(51) **LOC (8) Cl.** **09-01**

(52) **U.S. Cl.** **D9/516; D9/667; D9/560;**
D9/563; D9/454

(58) **Field of Classification Search** **D9/516,**
D9/520, 559-560, 563-570, 572-575, 649;
215/279, 381-384; 220/660, 662, 669-672,
220/675

See application file for complete search history.

(56) **References Cited**

U.S. PATENT DOCUMENTS

D321,830 S *	11/1991	York et al.	D9/434
5,238,129 A *	8/1993	Ota	215/381
5,381,910 A *	1/1995	Sugiura et al.	215/398
D384,586 S *	10/1997	Peek	D9/520
D396,810 S *	8/1998	Riffer	D9/553
D467,507 S *	12/2002	Bryant et al.	D9/570
D470,058 S *	2/2003	Bryant et al.	D9/572
6,513,669 B2 *	2/2003	Ozawa et al.	215/381

6,926,163 B2 *	8/2005	Darr et al.	215/396
2001/0054597 A1 *	12/2001	Ozawa et al.	215/381
2004/0144747 A1 *	7/2004	Saito et al.	215/379

FOREIGN PATENT DOCUMENTS

JP	985739	7/1997
JP	985739-2	6/1998
JP	1026873	12/1998

* cited by examiner

Primary Examiner—Ian Simmons

Assistant Examiner—Dana L Sipos

(74) *Attorney, Agent, or Firm*—Finnegan, Henderson,
Farabow, Garrett & Dunner, L.L.P.

(57) **CLAIM**

The ornamental design for a bottle, as shown and described.

DESCRIPTION

FIG. 1 is a front elevational view of a bottle showing my new design;

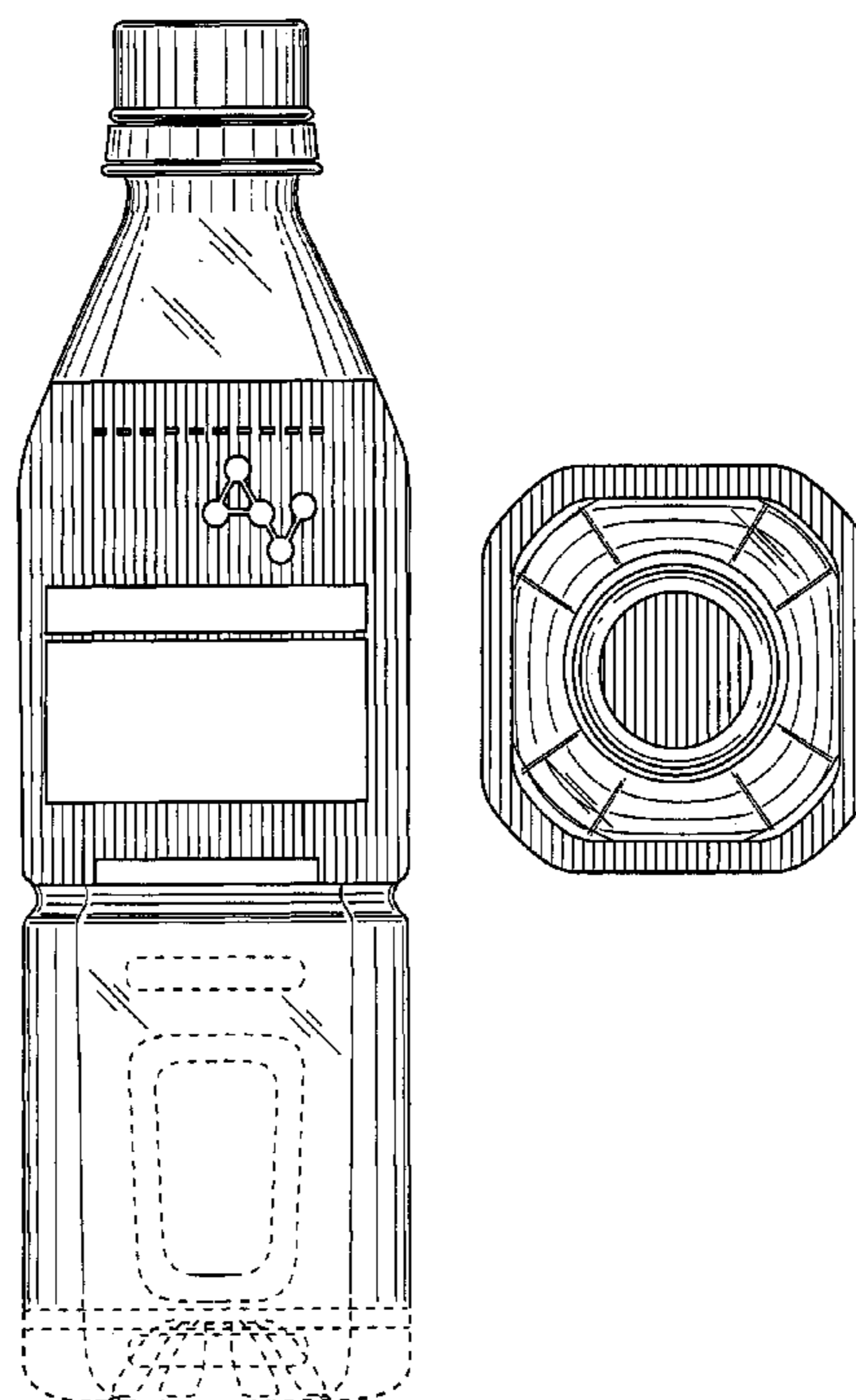
FIG. 2 is a top plan view thereof;

FIG. 3 is a bottom plan view thereof; and,

FIG. 4 is a right side elevational view thereof, the left side elevational view being identical.

The portions of the design shown in broken lines form no part of the claimed design. The portion of the label on the design shown in vertical lines designates the color red and the portion of the label that is unlined designates the color white.

1 Claim, 3 Drawing Sheets



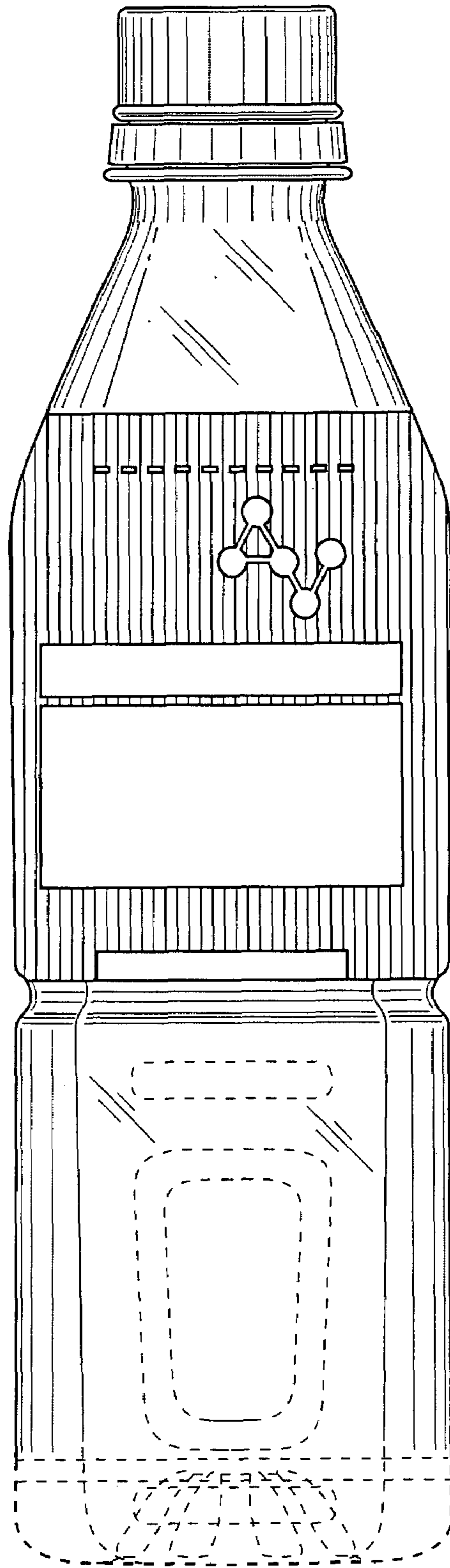


FIG. 1

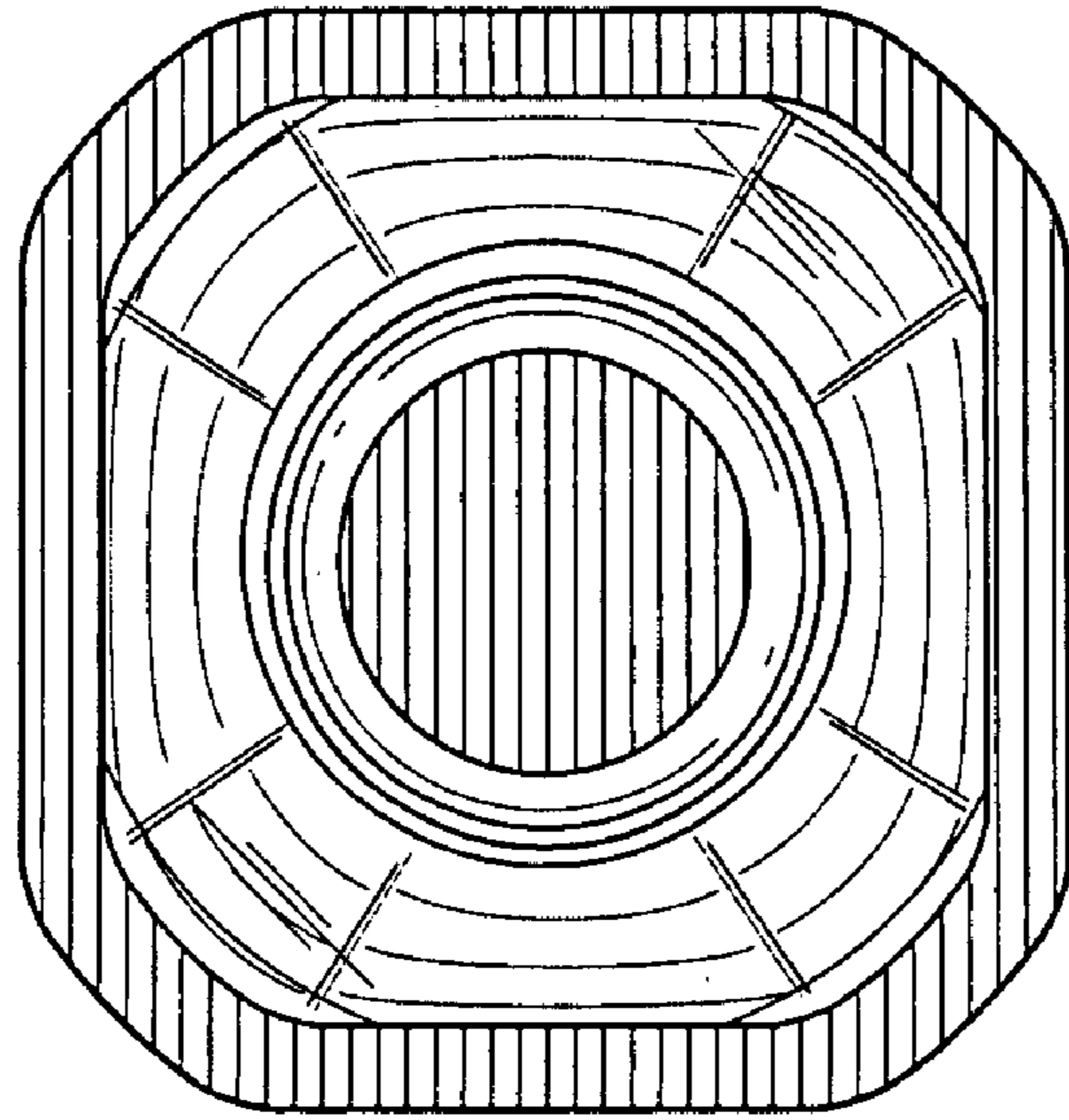


FIG. 2

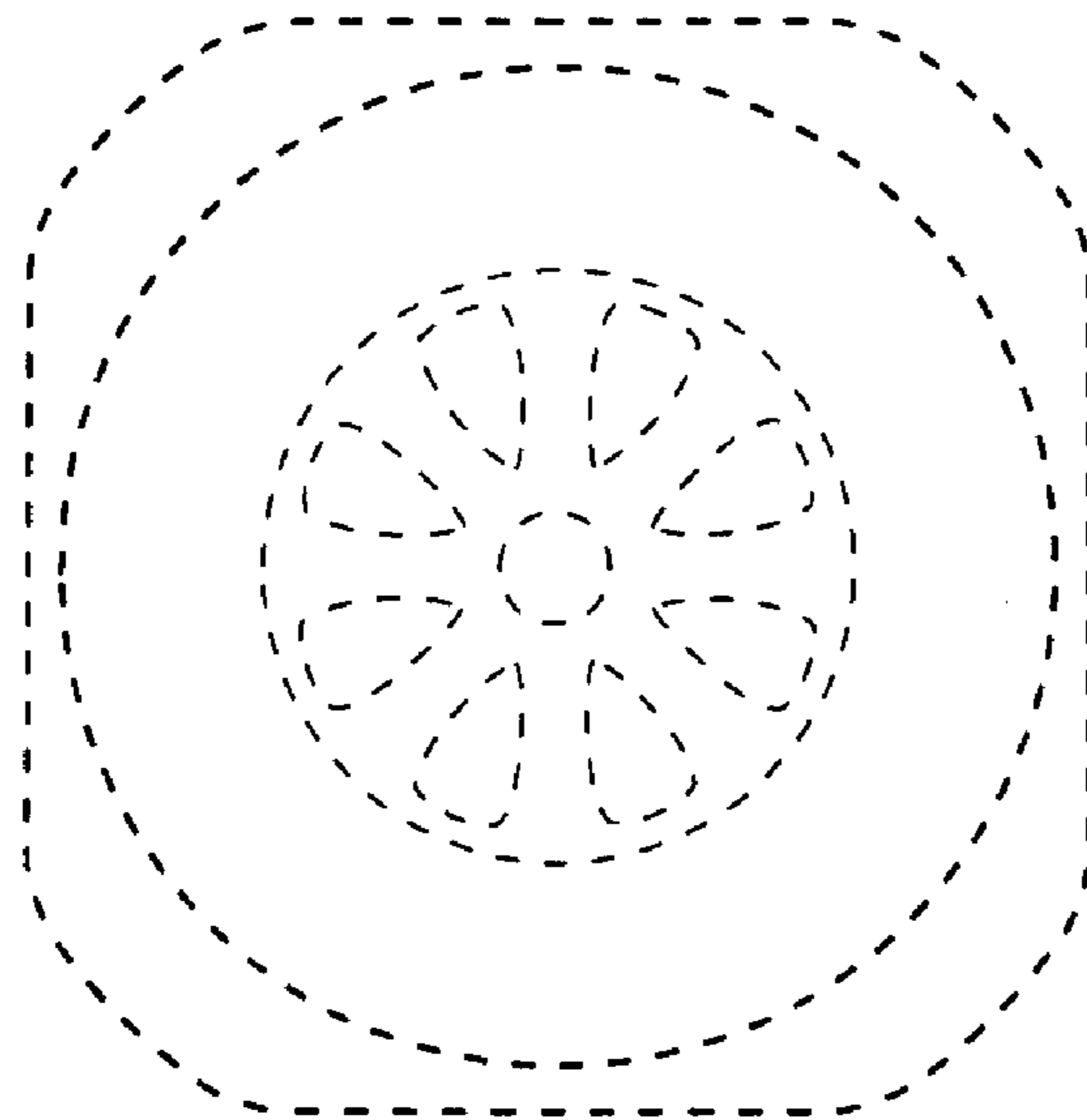


FIG. 3

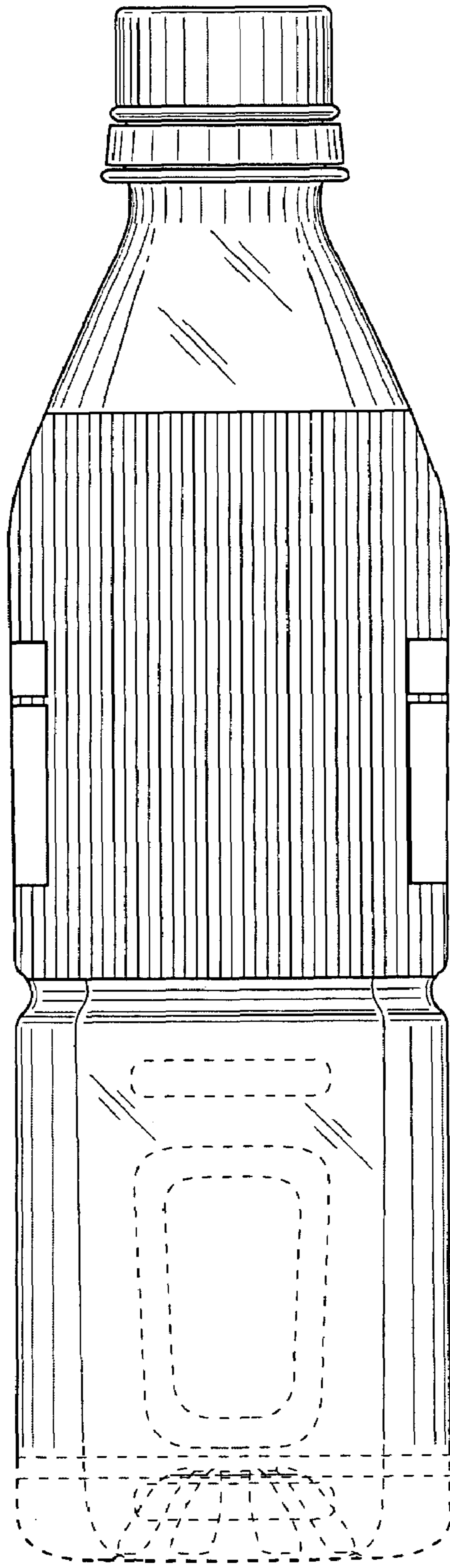


FIG. 4