



US00D562683S

(12) **United States Design Patent**  
**Sweeton et al.**

(10) **Patent No.:** **US D562,683 S**

(45) **Date of Patent:** **\*\* Feb. 26, 2008**

(54) **CONTAINER CLOSURE**

(75) Inventors: **Steven L. Sweeton**, Lake Winnebago, MO (US); **David L. Dejong**, Ogden, UT (US); **Robert J. Good**, Lee's Summit, MO (US)

(73) Assignee: **Meadwestvaco Calmar, Inc.**, Grandview, MO (US)

(\*\*) Term: **14 Years**

(21) Appl. No.: **29/275,367**

(22) Filed: **Dec. 21, 2006**

(51) **LOC (8) Cl.** ..... **09-07**

(52) **U.S. Cl.** ..... **D9/454**

(58) **Field of Classification Search** ..... D9/780,  
D9/763, 539, 516, 454, 453, 449, 447, 440,  
D9/439, 438, 436, 435; D34/39; 222/570,  
222/569, 547, 464.1, 185.1; 220/257.1; 215/341;  
137/845, 844; D7/392

See application file for complete search history.

(56) **References Cited**

**U.S. PATENT DOCUMENTS**

D195,372 S \* 6/1963 Worsley ..... D9/439  
D262,192 S \* 12/1981 Wedge ..... D9/435  
D417,847 S \* 12/1999 Rush et al. .... D9/454  
D419,370 S \* 1/2000 Busick et al. .... D7/392

D442,864 S \* 5/2001 Davies ..... D9/454  
D481,801 S \* 11/2003 Whitley ..... D9/435  
D515,353 S \* 2/2006 Martin ..... D9/454

\* cited by examiner

*Primary Examiner*—Gary D. Watson  
*Assistant Examiner*—Susan Bennett Hattan

(57) **CLAIM**

I claim the ornamental design for a container closure, as shown and described.

**DESCRIPTION**

A container closure for use in closing containers and attaching container attachments to containers using a bayonet attachment system.

FIG. 1 is a perspective view of the container closure showing our new design;

FIG. 2 is a left-side view thereof;

FIG. 3 is a front view thereof;

FIG. 4 is a rear view thereof;

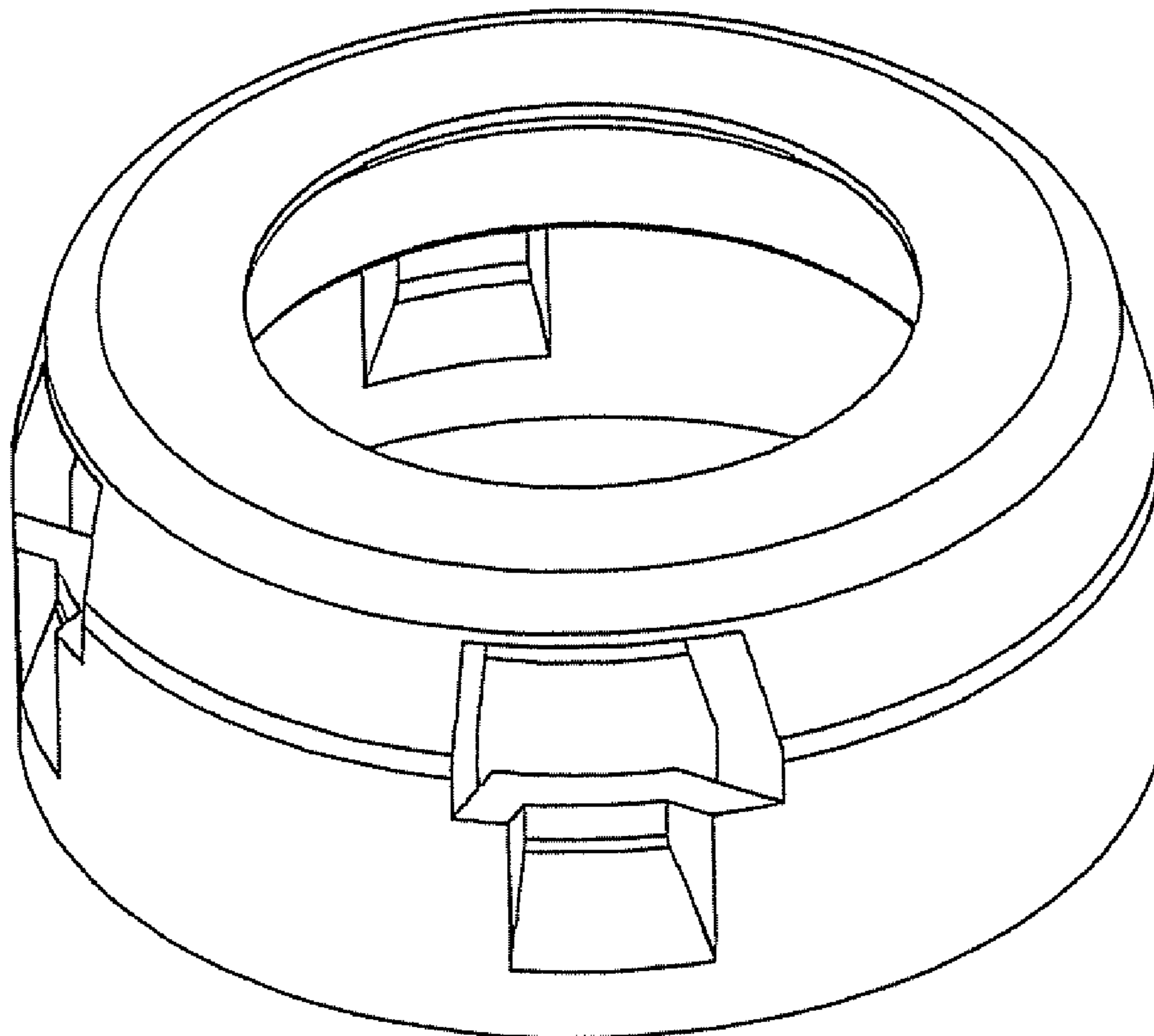
FIG. 5 is a side cross-sectional view thereof;

FIG. 6 is an alternate side cross-sectional view thereof;

FIG. 7 is a bottom view thereof; and,

FIG. 8 is a top view thereof.

**1 Claim, 3 Drawing Sheets**



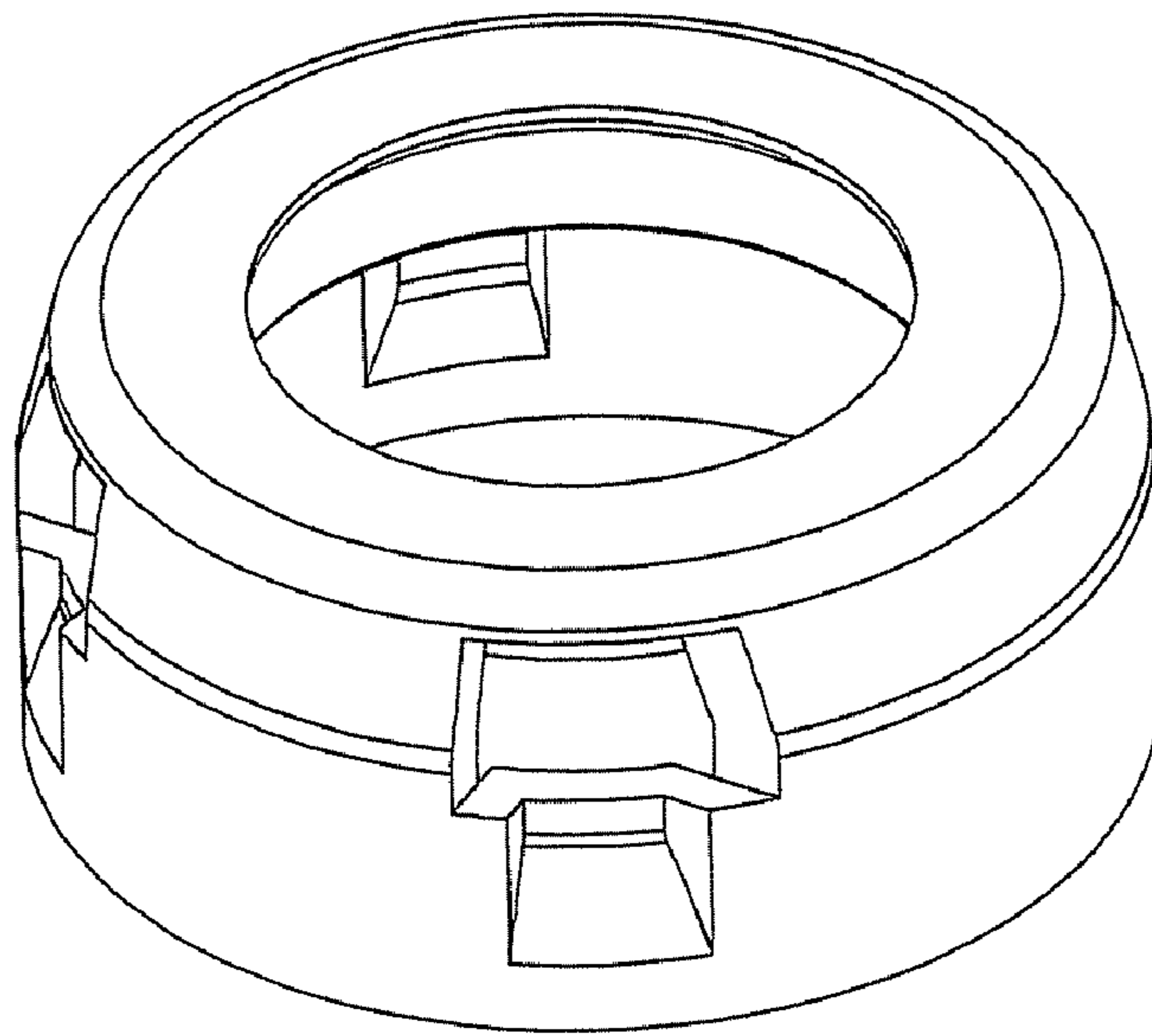


FIG. 1

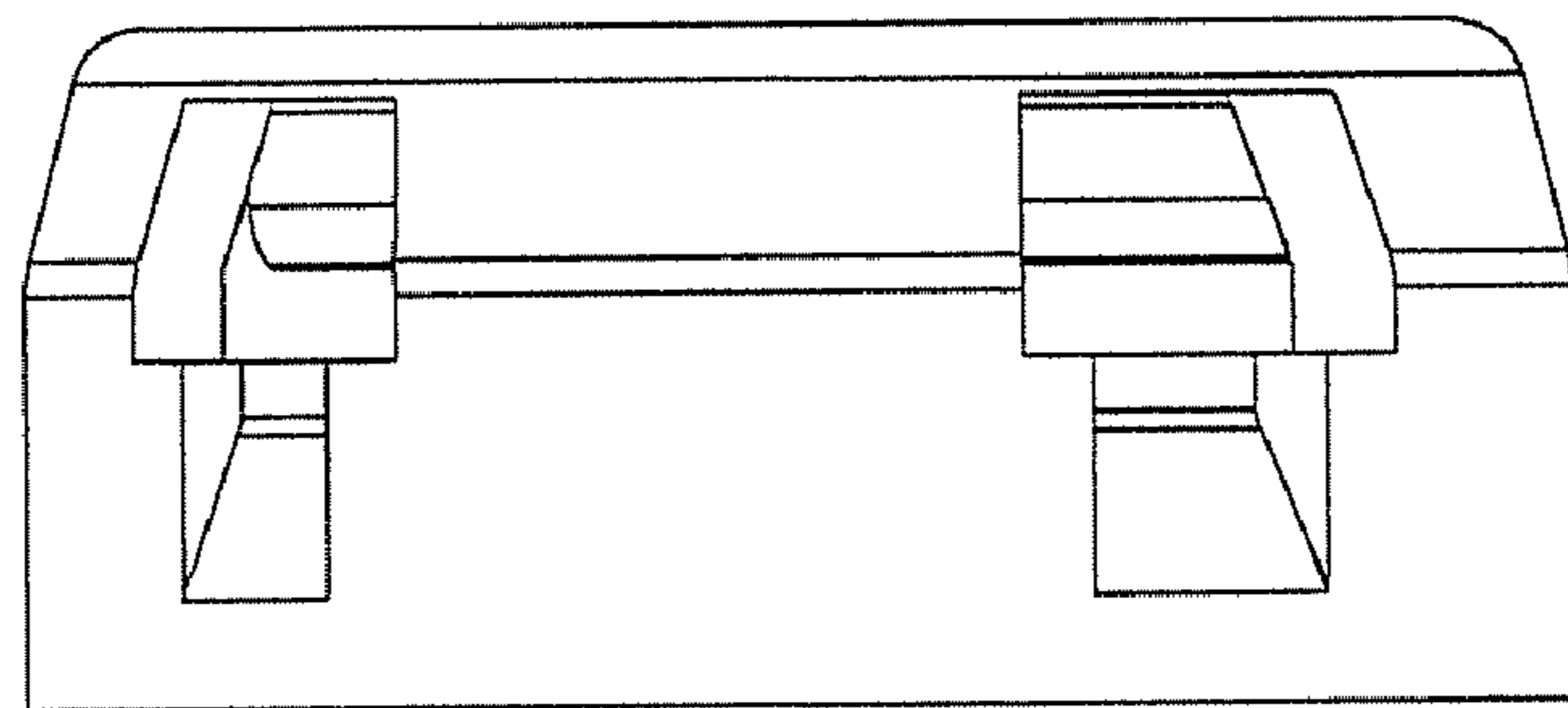


FIG. 2

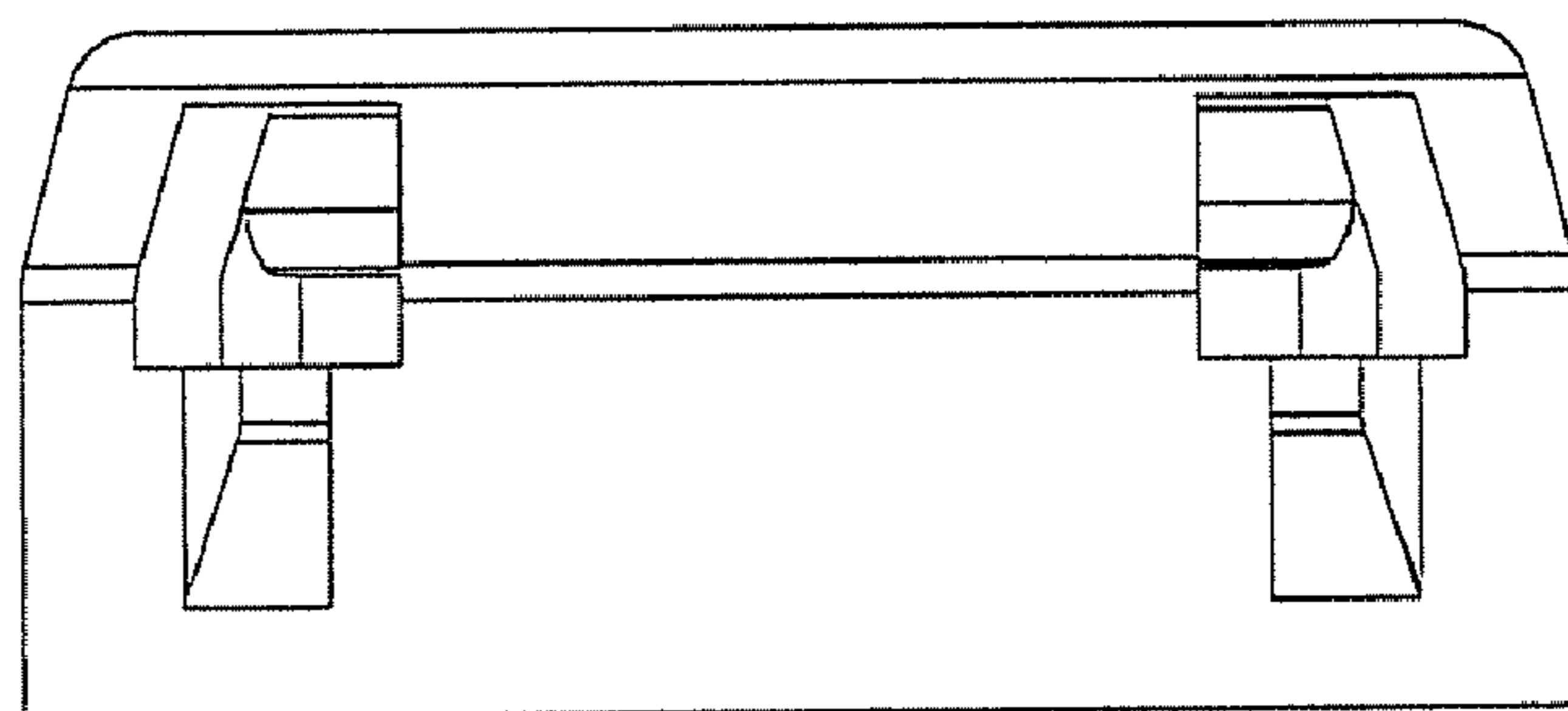


FIG. 3

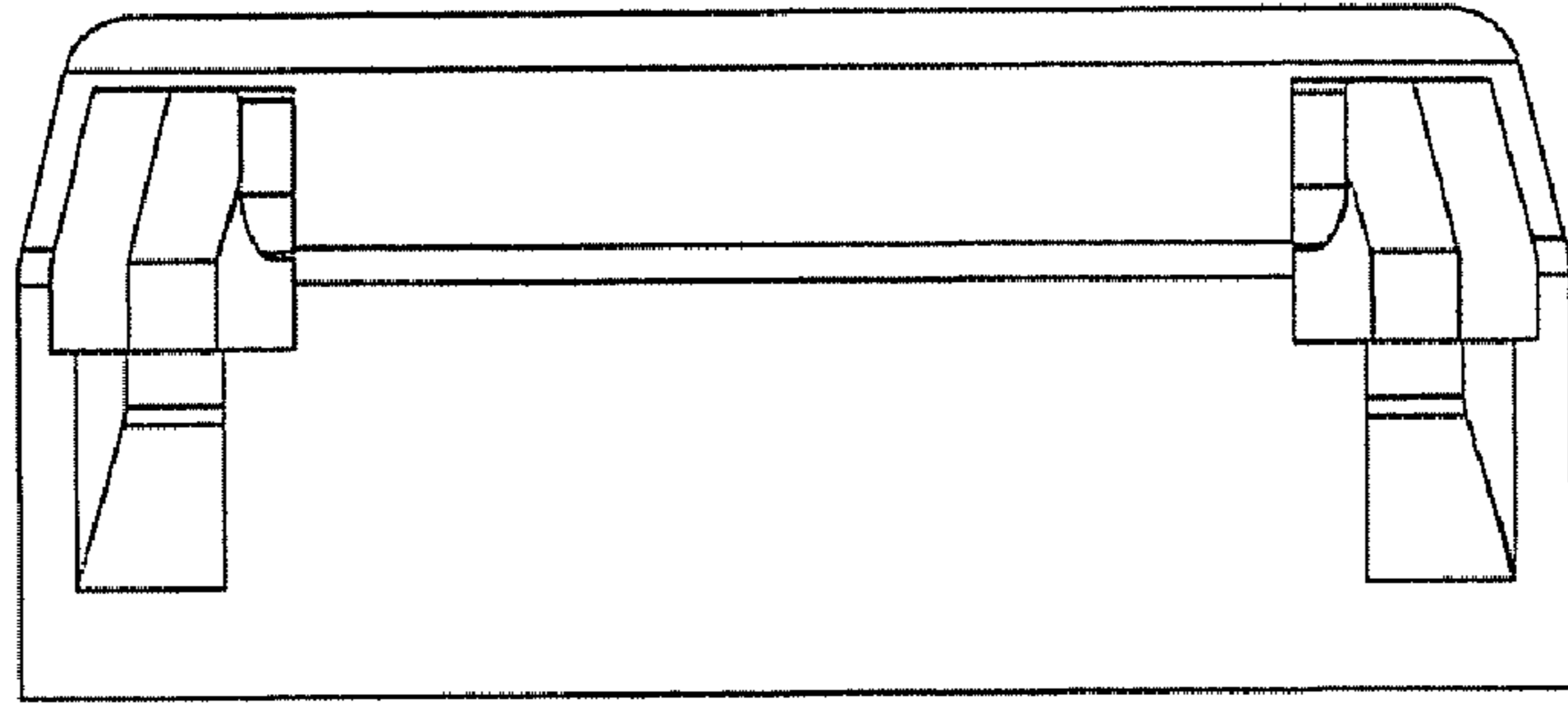


FIG. 4

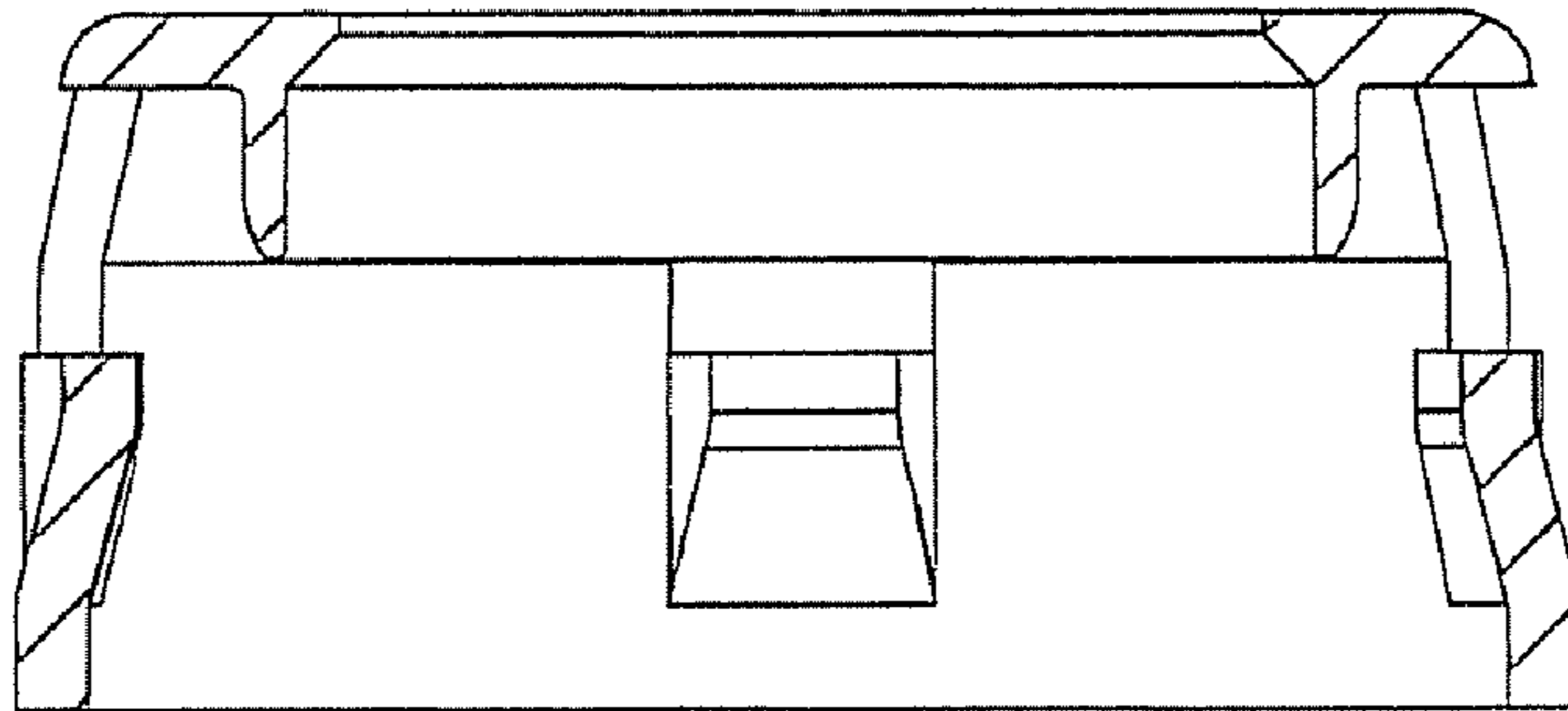


FIG. 5

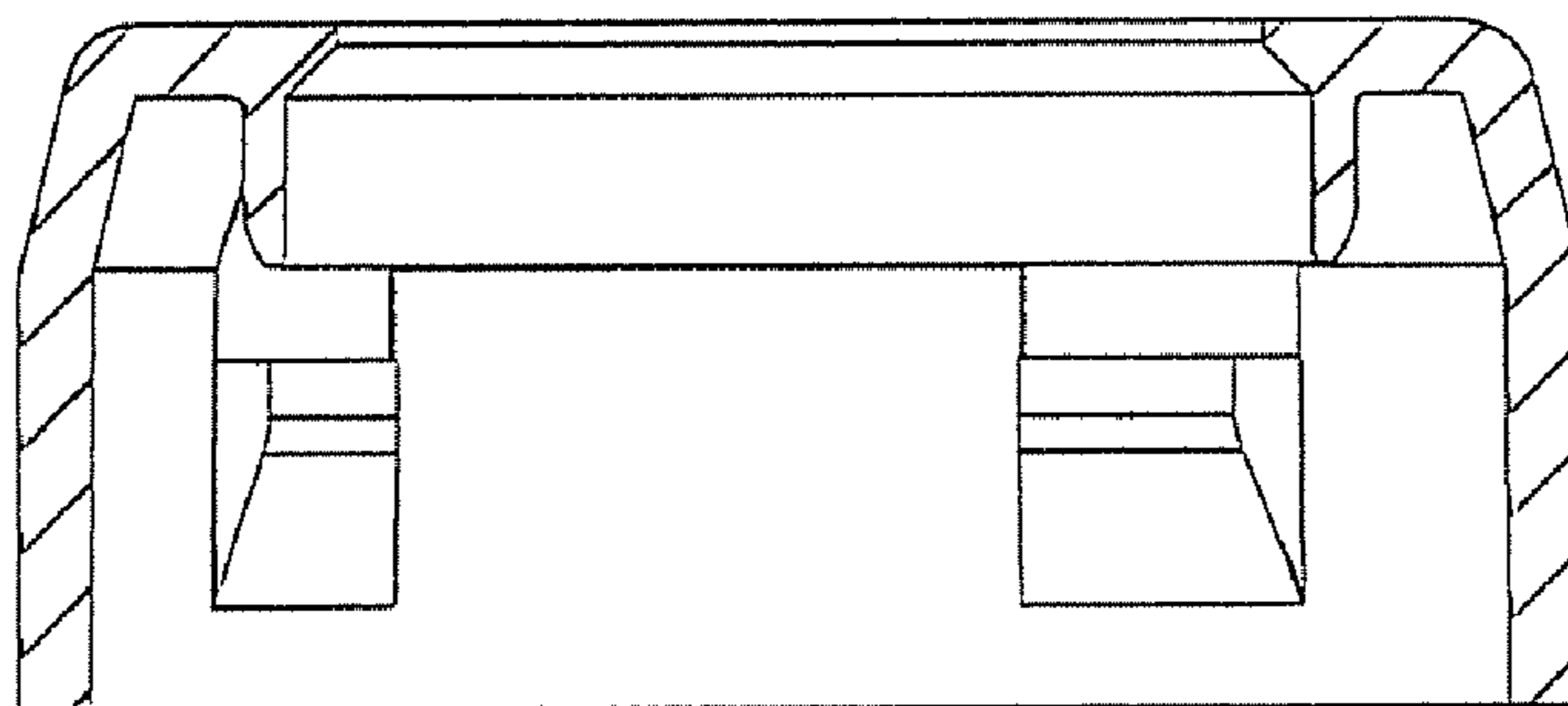


FIG. 6

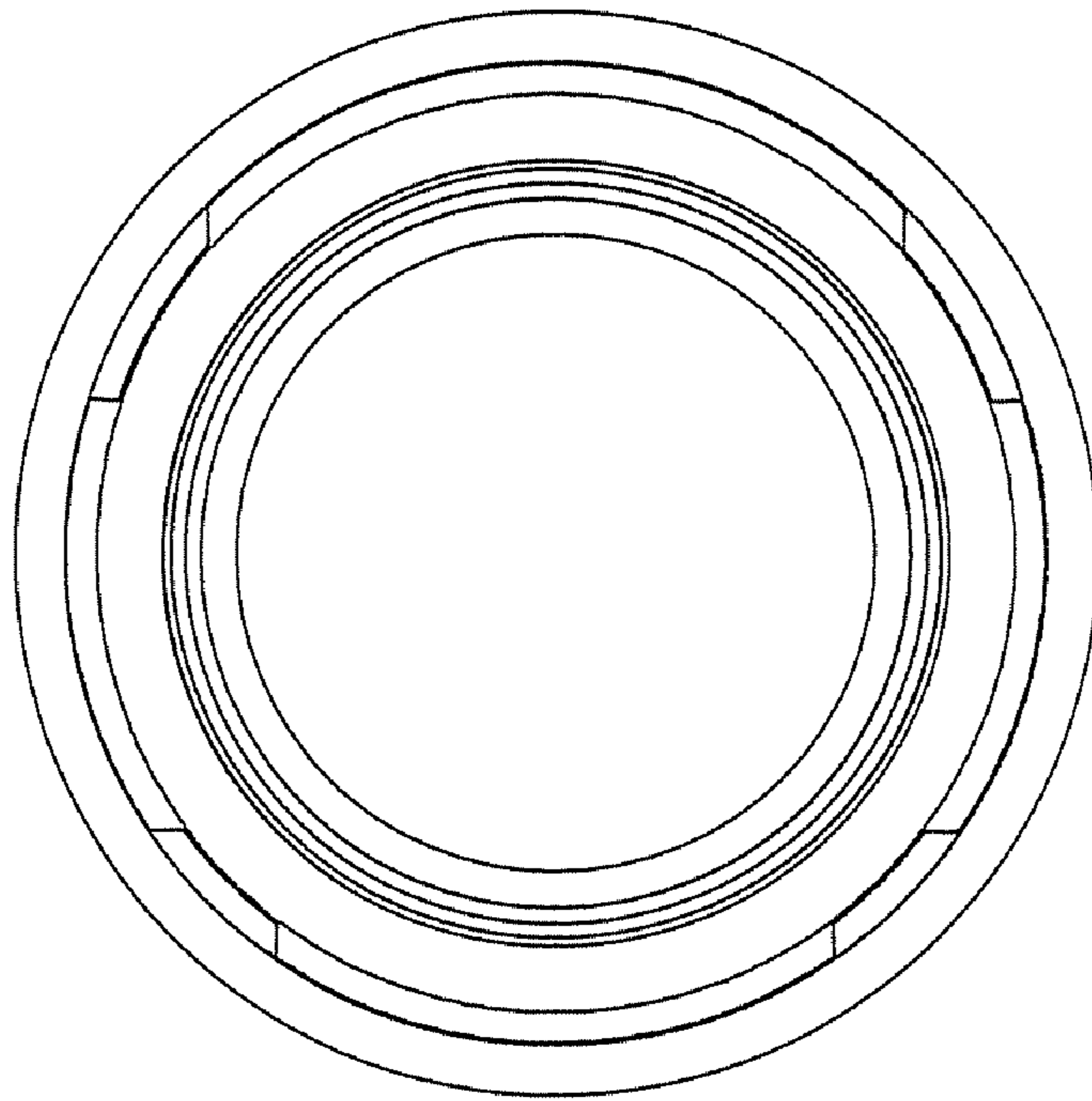


FIG. 7

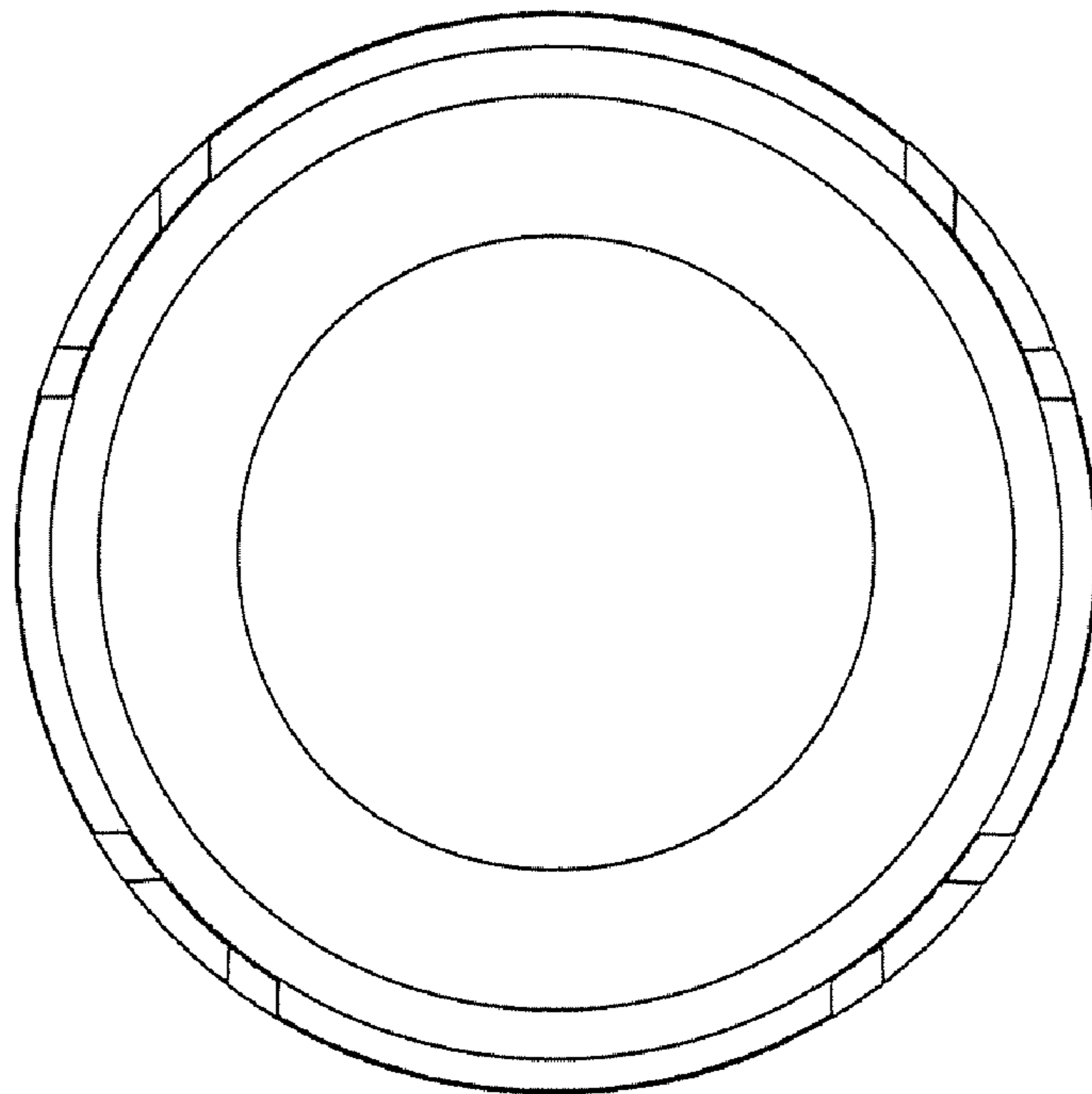


FIG. 8