

US00D562680S

(12) **United States Design Patent**  
**Vrhovski**

(10) **Patent No.:** **US D562,680 S**

(45) **Date of Patent:** **\*\* Feb. 26, 2008**

(54) **CONTAINER LID WITH UTENSIL HOLDER**

D536,923 S \* 2/2007 Roth et al. .... D7/392.1  
D547,124 S \* 7/2007 Peretz ..... D7/505

(75) Inventor: **Slava Vrhovski**, Zagreb (HR)

\* cited by examiner

(73) Assignee: **GlobeTrade, Inc.**, Hayward, CA (US)

*Primary Examiner*—Gary D. Watson

*Assistant Examiner*—Susan Bennett Hattan

(\*\*) Term: **14 Years**

(74) *Attorney, Agent, or Firm*—Buchanan Ingersoll & Rooney, LLP

(21) Appl. No.: **29/245,213**

(22) Filed: **Dec. 16, 2005**

(57) **CLAIM**

(51) **LOC (8) Cl.** ..... **09-07**

The ornamental design for a container lid with utensil holder, as shown and described.

(52) **U.S. Cl.** ..... **D9/436**

(58) **Field of Classification Search** ..... D9/718,  
D9/715, 436, 435, 418; 220/212; 215/390,  
215/228, 391; D7/503, 505, 392.1, 538;  
401/126, 119; 141/112  
See application file for complete search history.

**DESCRIPTION**

(56) **References Cited**

U.S. PATENT DOCUMENTS

- 1,625,335 A \* 4/1927 Schneider ..... 215/228
- D309,845 S \* 8/1990 Pozzi ..... D9/717
- 5,443,174 A \* 8/1995 Bauer ..... 220/212
- D365,517 S \* 12/1995 Bedford et al. .... D9/418
- D412,538 S \* 8/1999 Reidinger et al. .... D9/436
- 6,003,710 A \* 12/1999 Huang ..... 220/212
- D429,640 S \* 8/2000 Nielsen et al. .... D9/435
- D465,969 S \* 11/2002 Morin ..... D7/392.1
- D468,154 S \* 1/2003 Klock et al. .... D7/392.1
- D501,754 S \* 2/2005 Munson et al. .... D7/392.1
- D521,380 S \* 5/2006 Jackson et al. .... D9/435

FIG. 1 is a top perspective view of a container lid with utensil holder.

FIG. 2 is a top plan view of the container lid with utensil holder.

FIG. 3 is a left side elevation of the container lid with utensil holder.

FIG. 4 is a bottom plan view of the container lid with utensil holder.

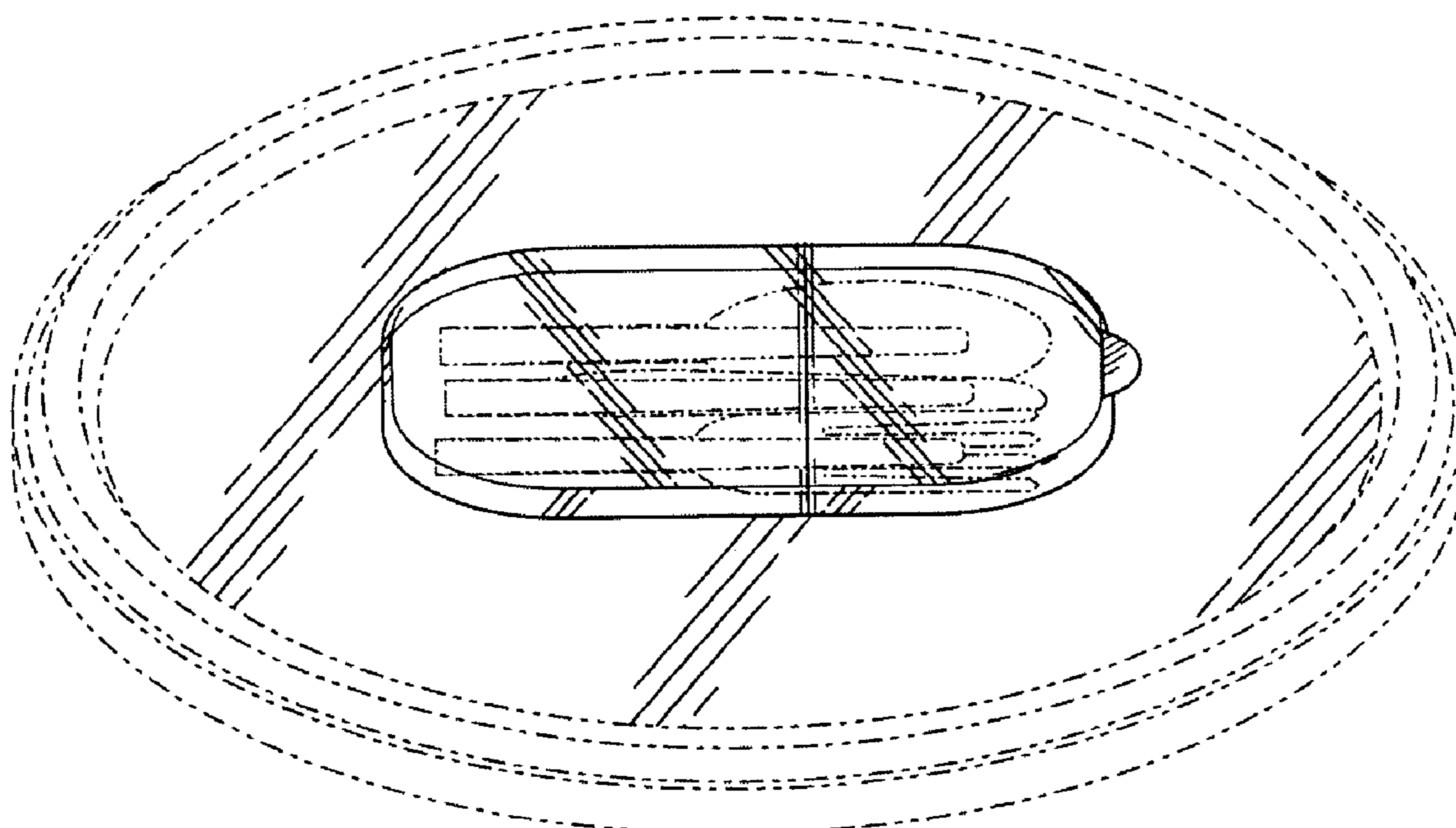
FIG. 5 is a right side elevation view of the container lid with utensil holder.

FIG. 6 is a front elevation view of the container lid with utensil holder; and,

FIG. 7 is a back elevation view of the container lid with utensil holder.

The broken line showing is for illustrative purposes only and forms no part of the claimed design.

**1 Claim, 4 Drawing Sheets**



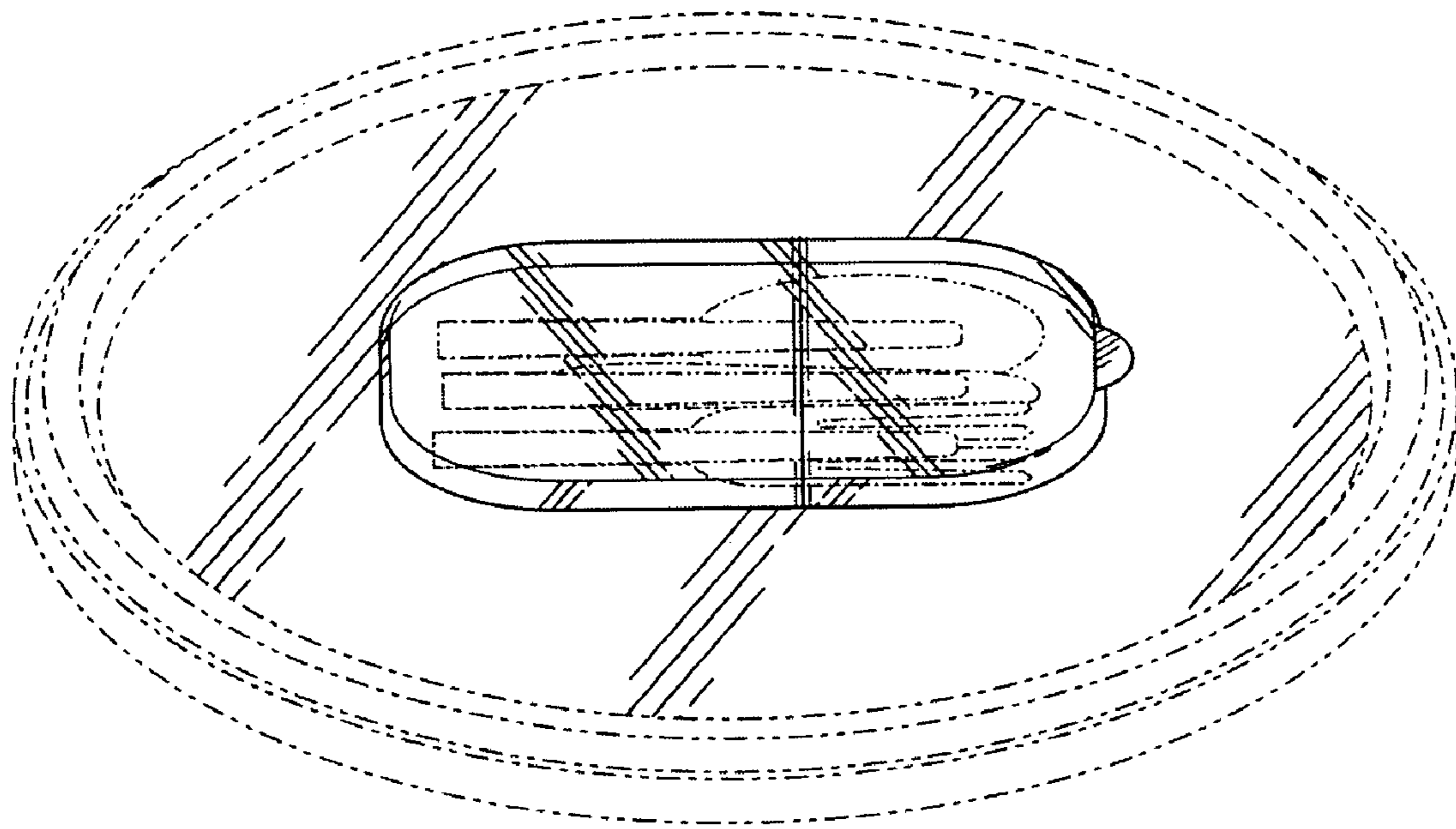


FIG. 1

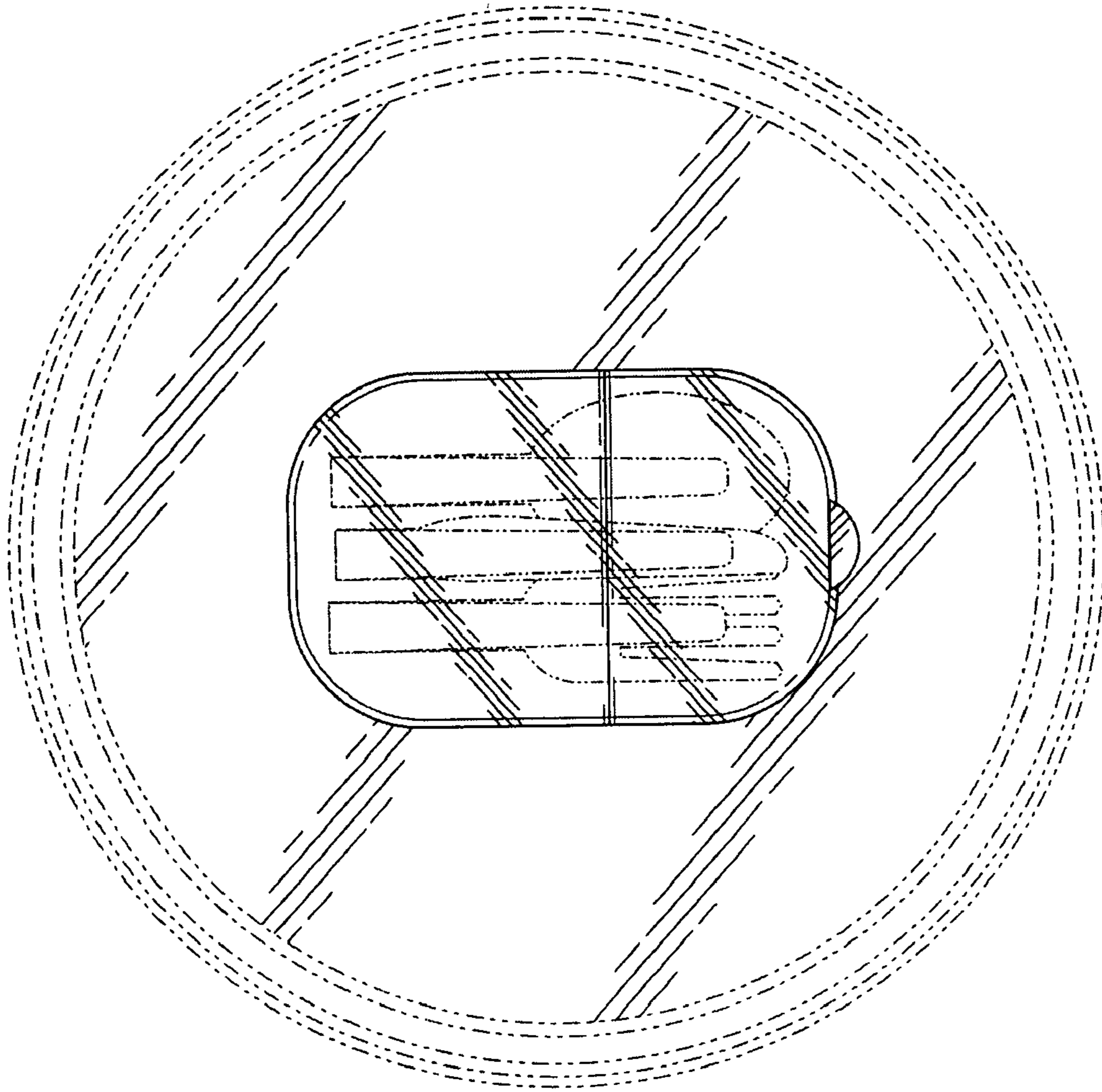


FIG. 2

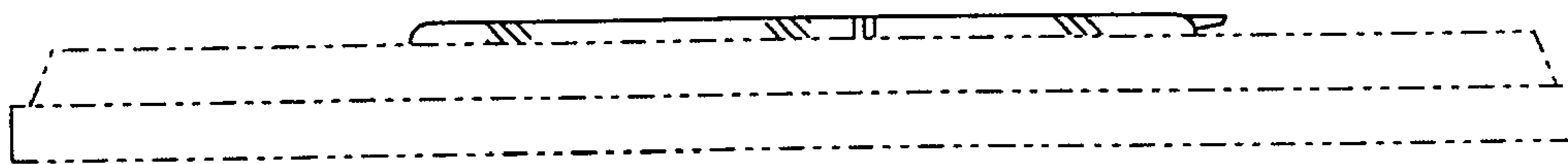


FIG. 3

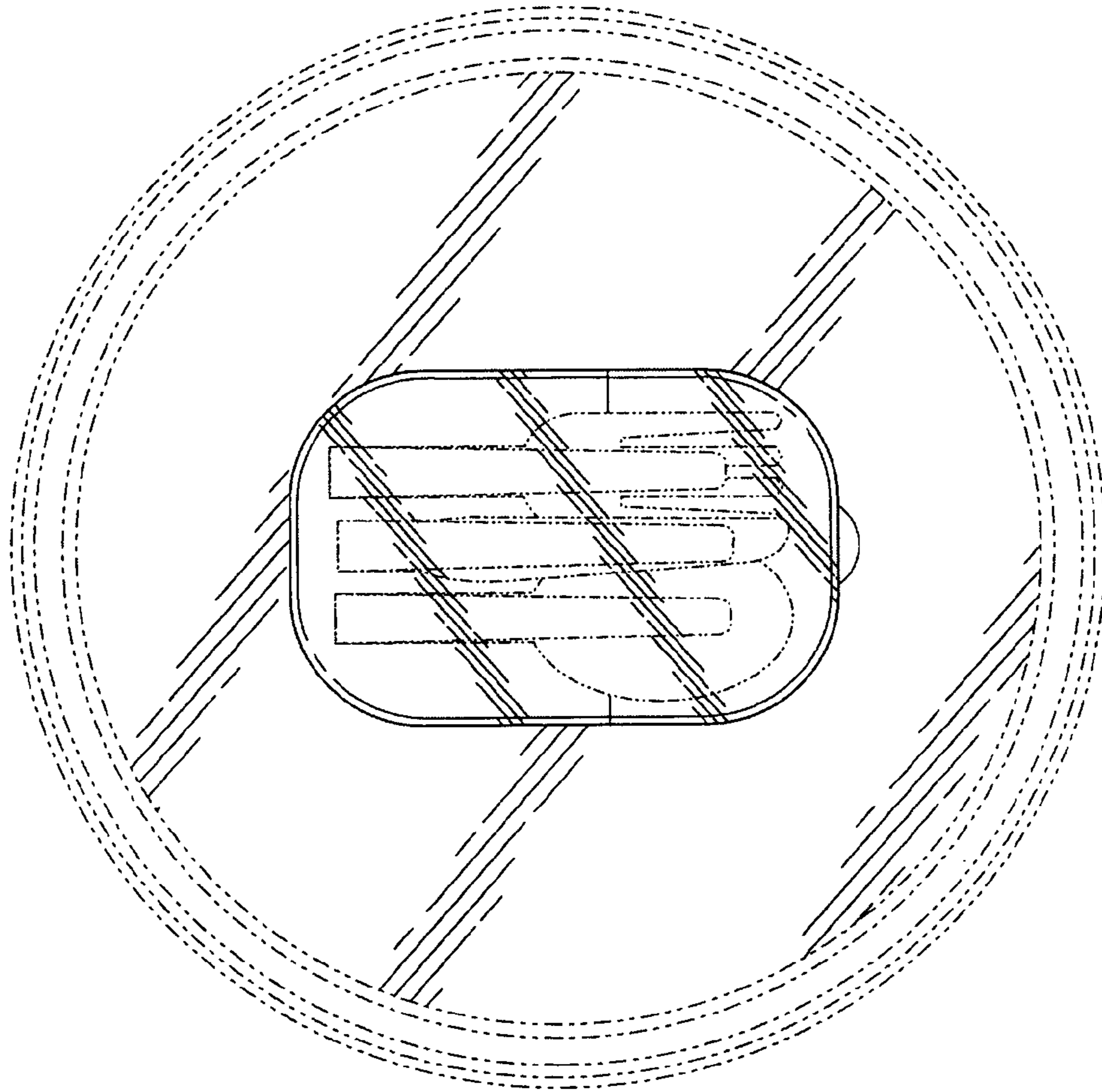


FIG. 4

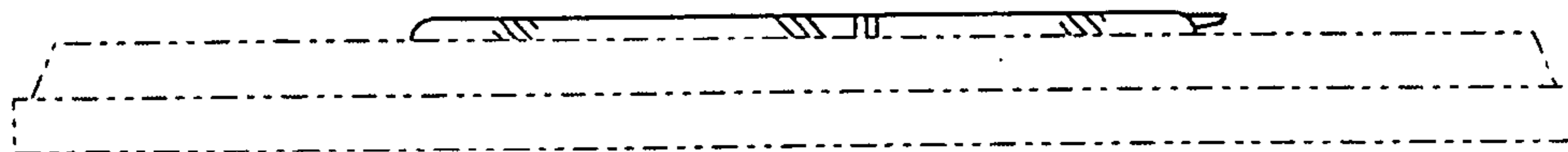


FIG. 5

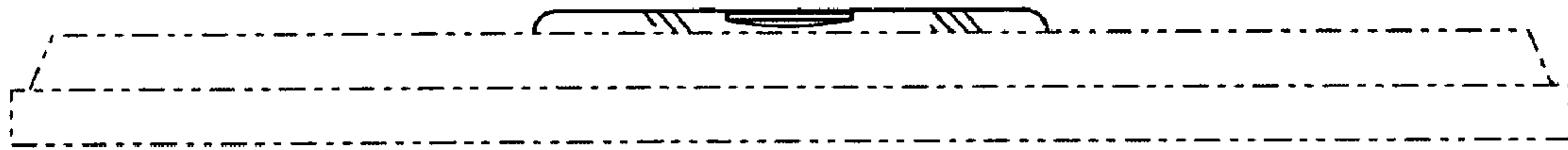


FIG. 6

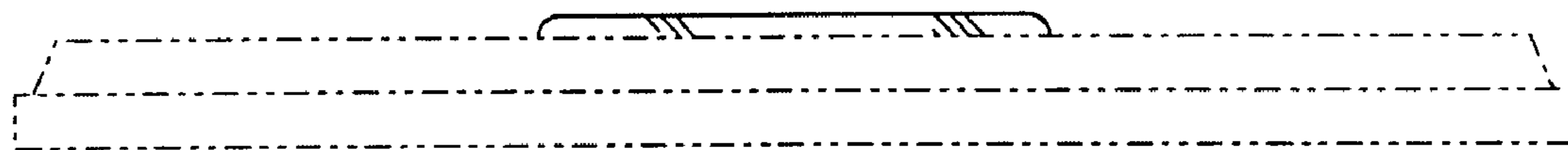


FIG. 7