



US00D562676S

(12) **United States Design Patent**  
**Cox et al.**

(10) **Patent No.:** **US D562,676 S**  
(45) **Date of Patent:** **\*\* Feb. 26, 2008**

(54) **CLIP**

(75) Inventors: **Johnny Cox**, Rowlett, TX (US); **Trevor Jackson**, Kirtland, OH (US); **Harry Klaus**, Mars, PA (US)

(73) Assignee: **Emerald Innovations, LLC**, Butler, PA (US)

(\*\*) Term: **14 Years**

(21) Appl. No.: **29/281,096**

(22) Filed: **Jun. 14, 2007**

(51) **LOC (8) Cl.** ..... **08-08**

(52) **U.S. Cl.** ..... **D8/395**

(58) **Field of Classification Search** ..... D8/356,  
D8/371, 394-396; D19/65; 248/74.2, 215,  
248/227.1, 49, 300, 301, 316.7, 51, 489  
See application file for complete search history.

(56) **References Cited**

U.S. PATENT DOCUMENTS

D222,430 S \* 10/1971 Millar ..... D8/373  
D313,169 S \* 12/1990 Scott et al. .... D8/373  
D376,535 S \* 12/1996 Gary et al. .... D8/395

D414,291 S \* 9/1999 Gary et al. .... D26/138  
6,513,772 B2 \* 2/2003 Gary et al. .... 248/231.91  
D550,066 S \* 9/2007 Sapir et al. .... D8/356  
2005/0017144 A1 \* 1/2005 Jackson et al. .... 248/309.1

\* cited by examiner

*Primary Examiner*—Stella M. Reid  
*Assistant Examiner*—John Windmuller

(57) **CLAIM**

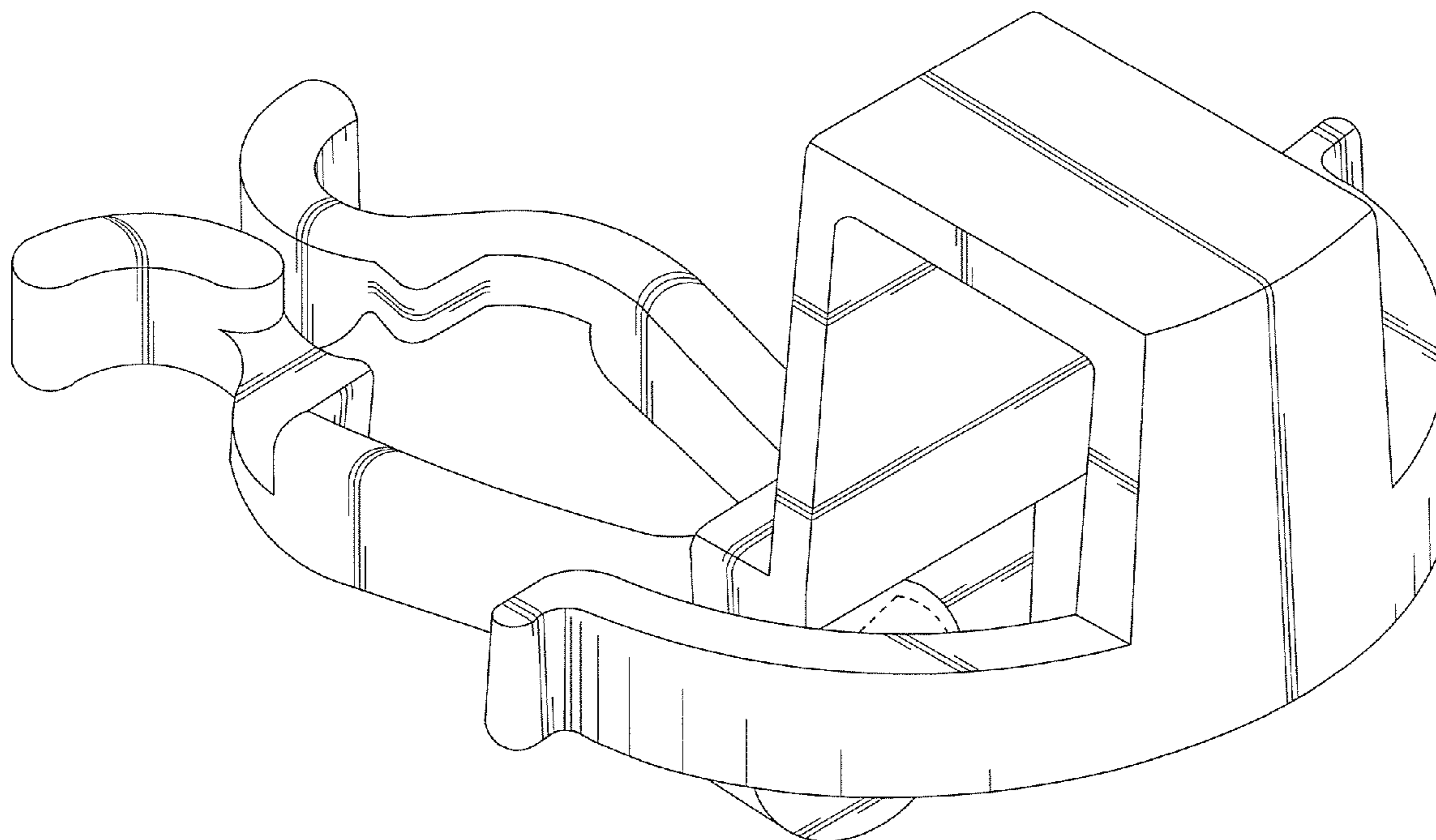
The ornamental design for a clip, as shown and described.

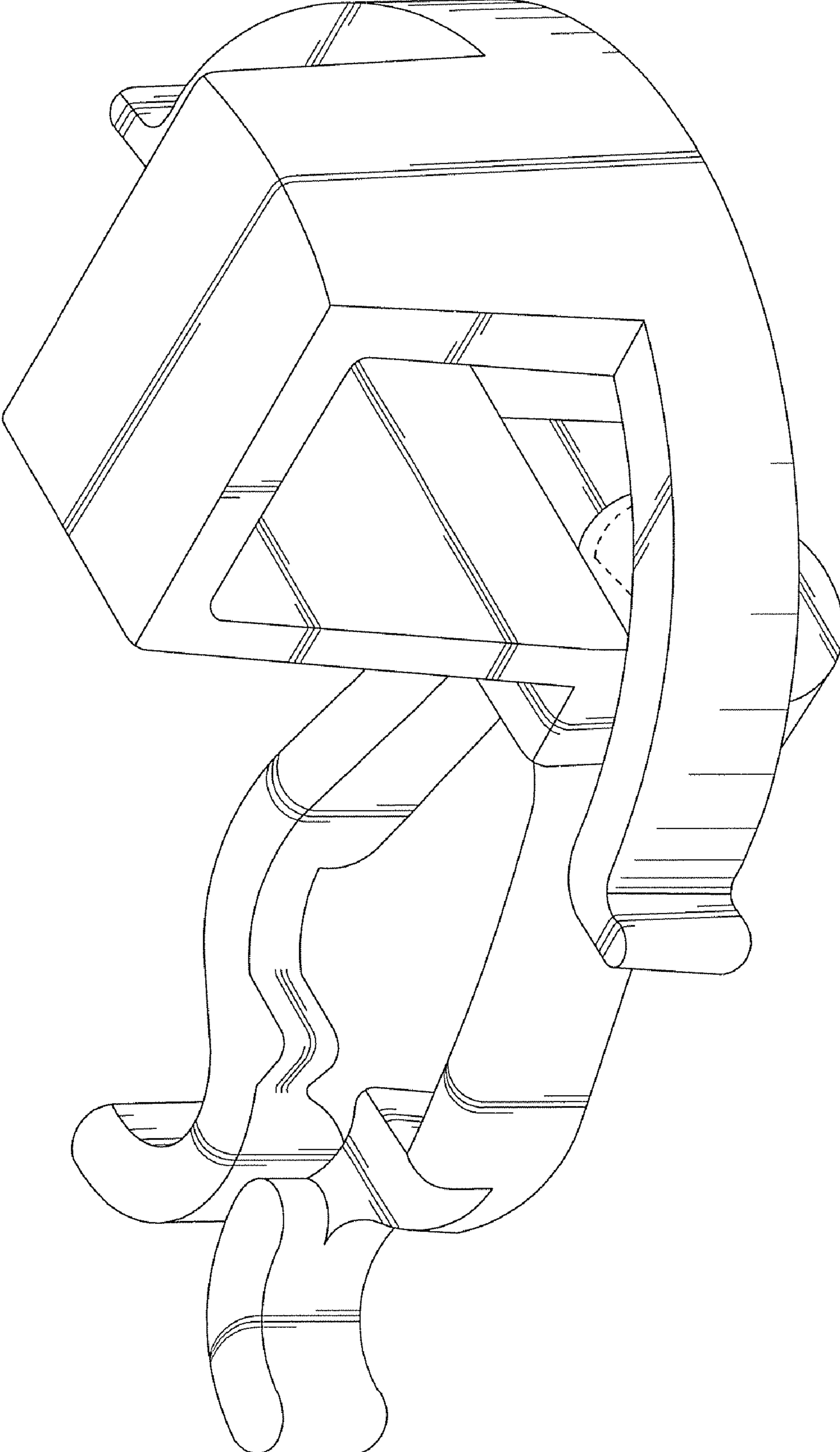
**DESCRIPTION**

FIG. 1 is a perspective view of a clip of the new design;  
FIG. 2 is a rear elevational view of the clip of FIG. 1;  
FIG. 3 is a front elevational view of the clip of FIG. 1;  
FIG. 4 is a right side elevational view of the clip of FIG. 1;  
FIG. 5 is a left side elevational view of the clip of FIG. 1;  
FIG. 6 is a top plan view of the clip of FIG. 1; and,  
FIG. 7 is a bottom plan view of the clip of FIG. 1.

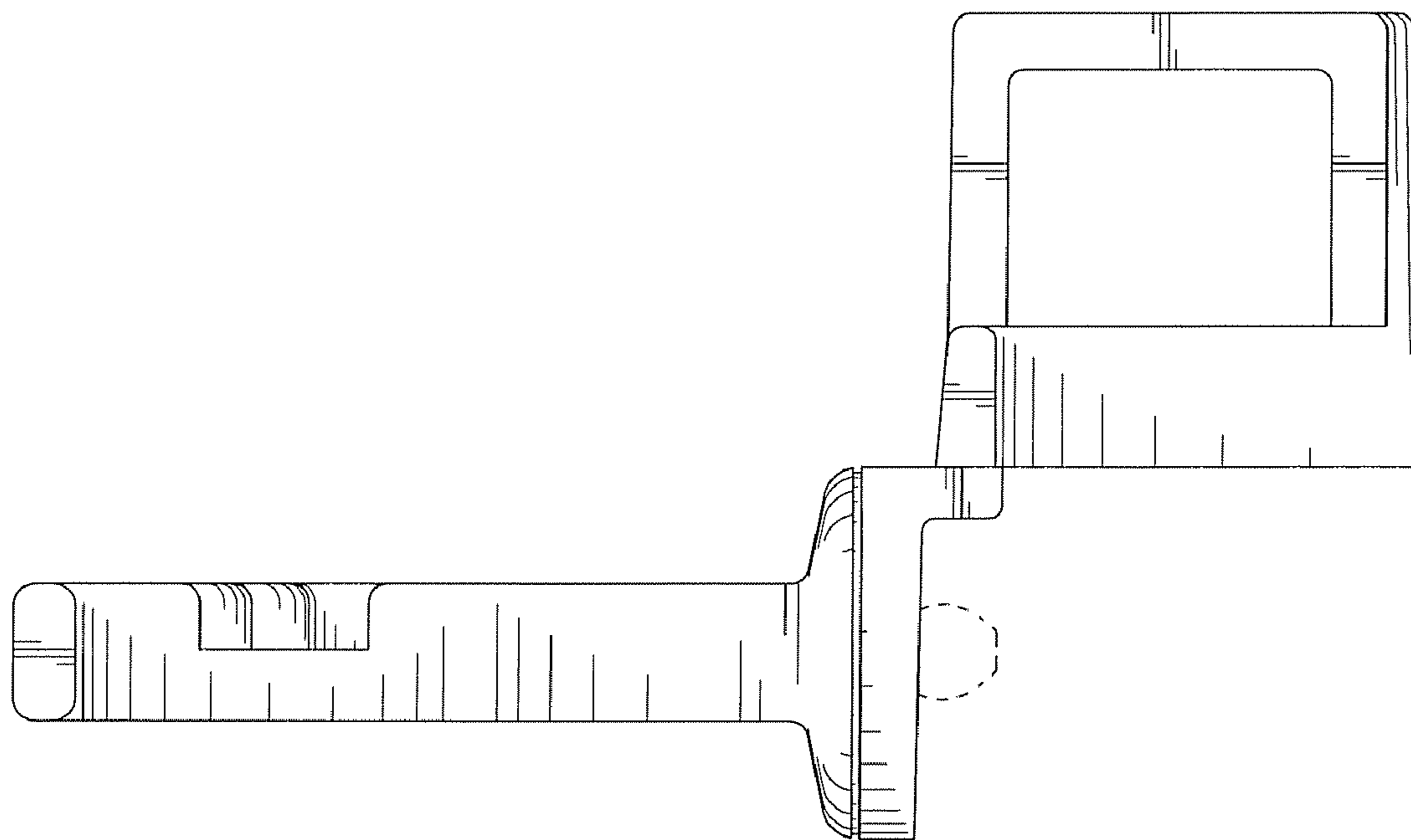
The portions of the Figures shown in broken lines are not part of the claimed design and are for illustration only.

**1 Claim, 4 Drawing Sheets**

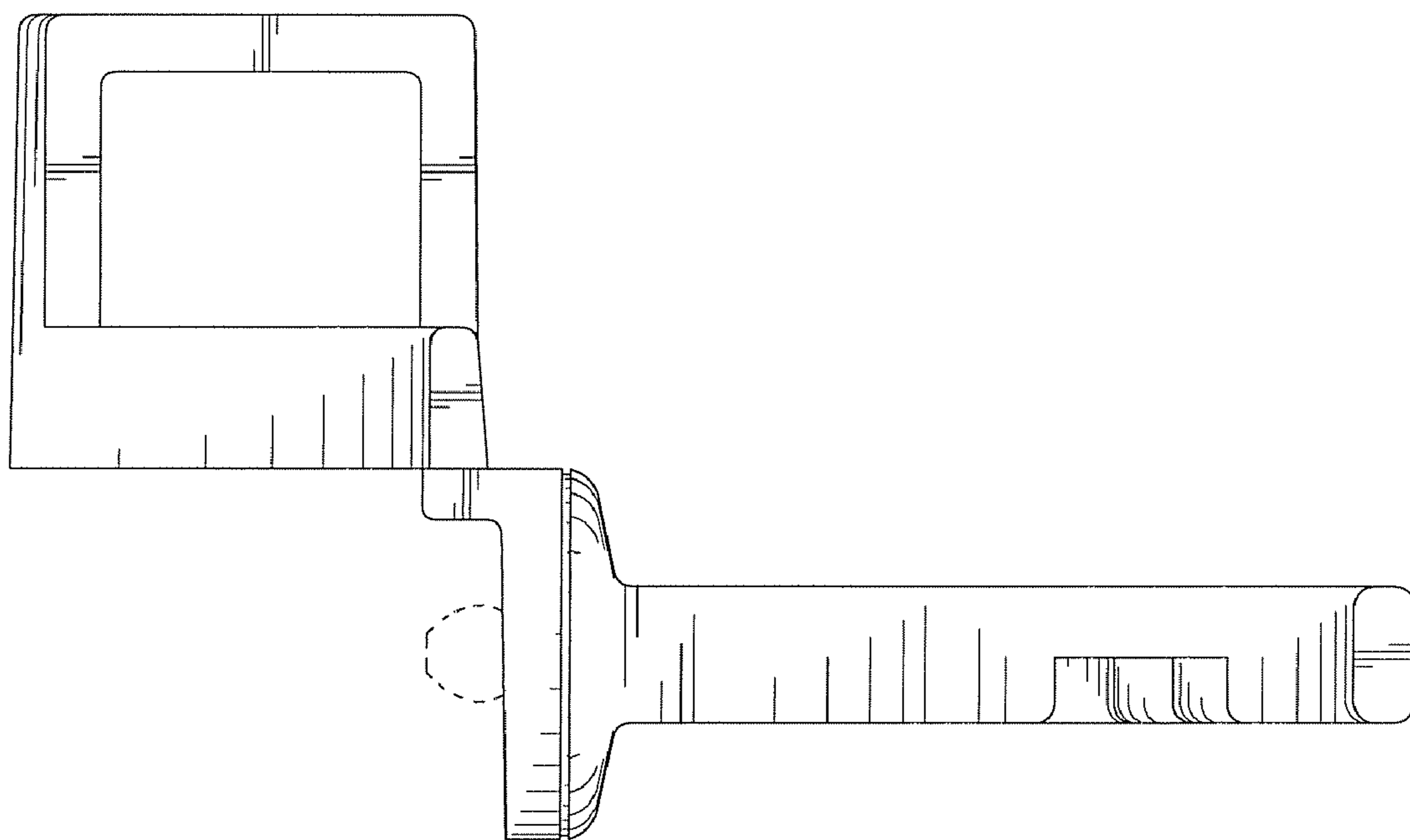




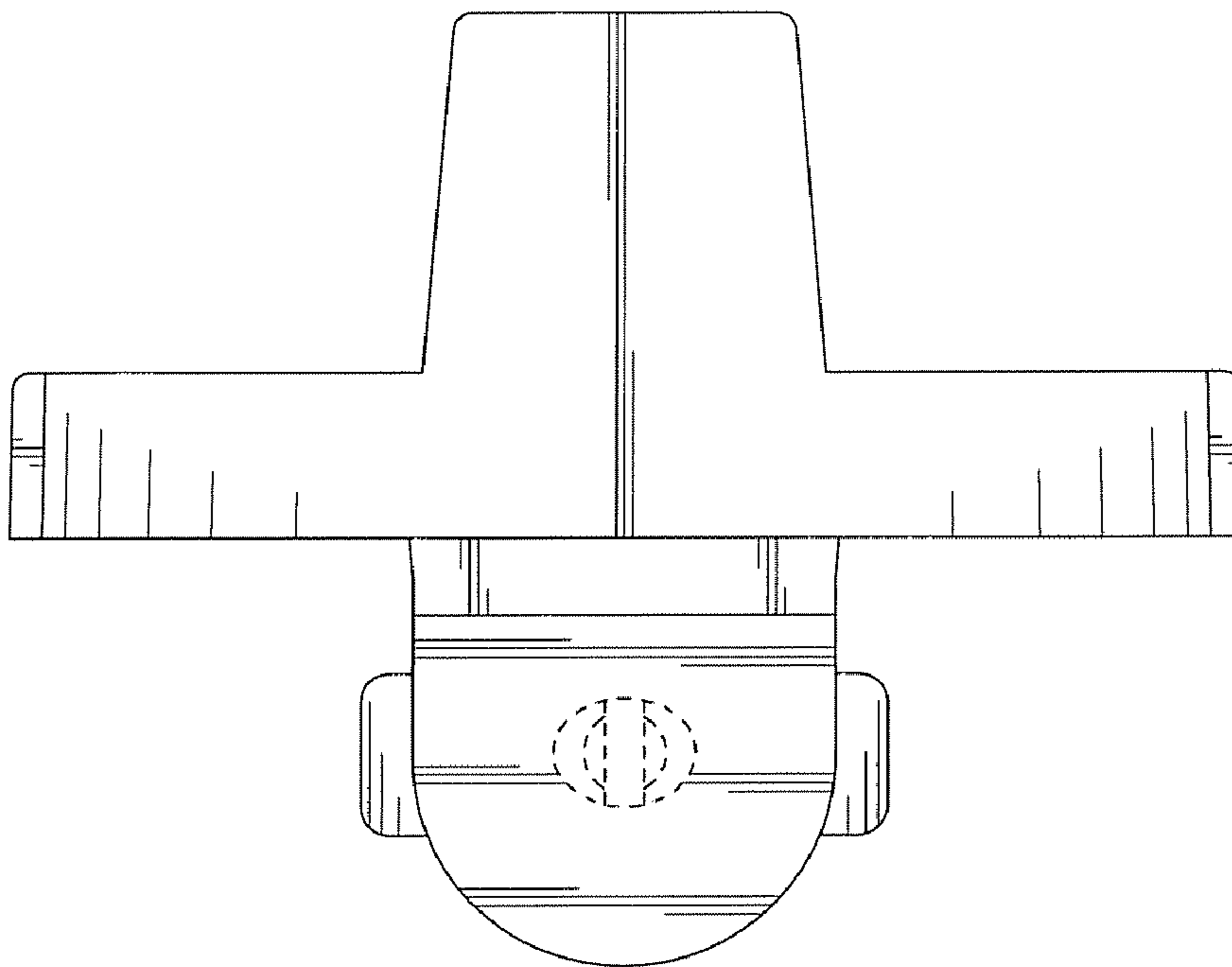
**FIG. 1**



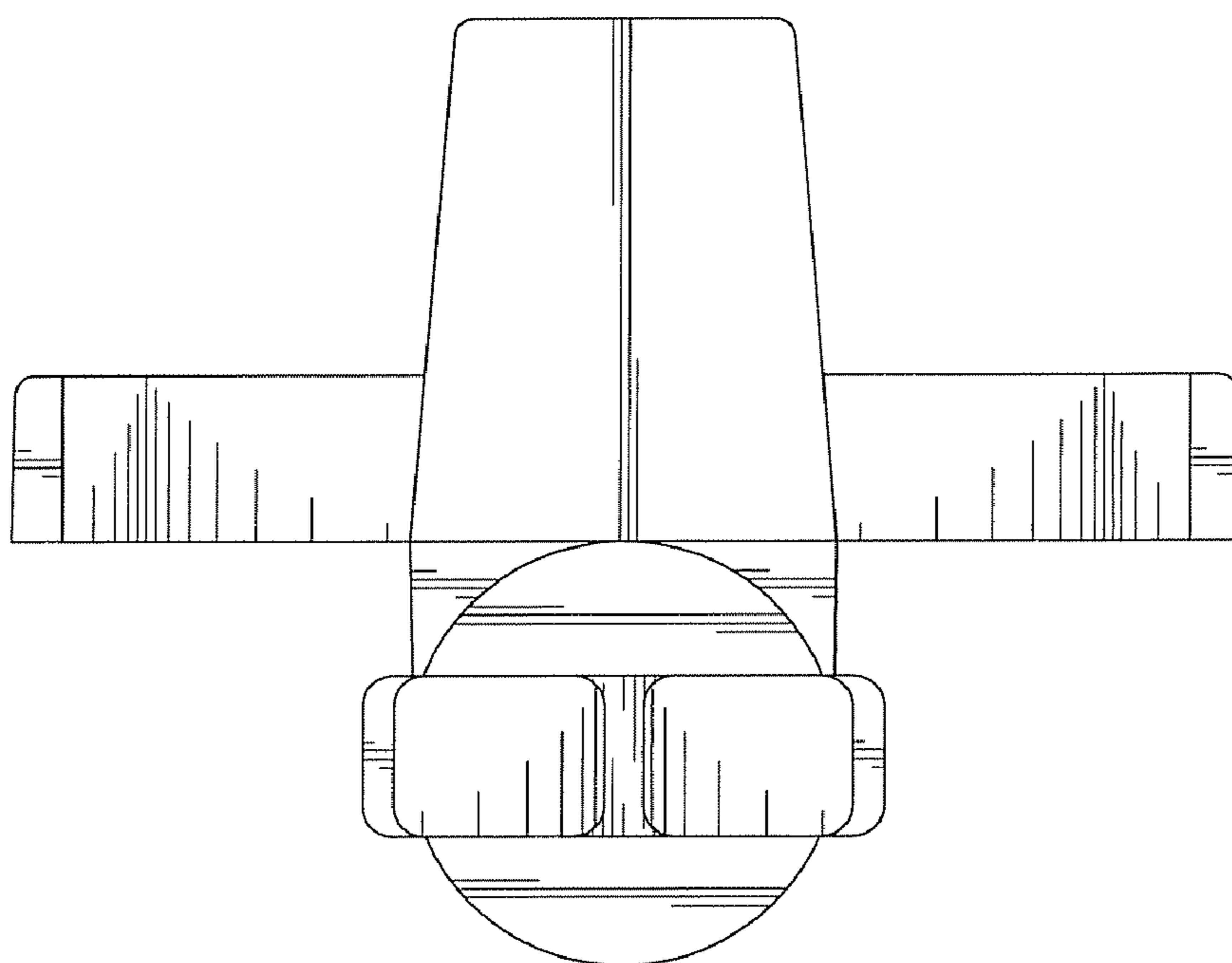
**FIG. 2**



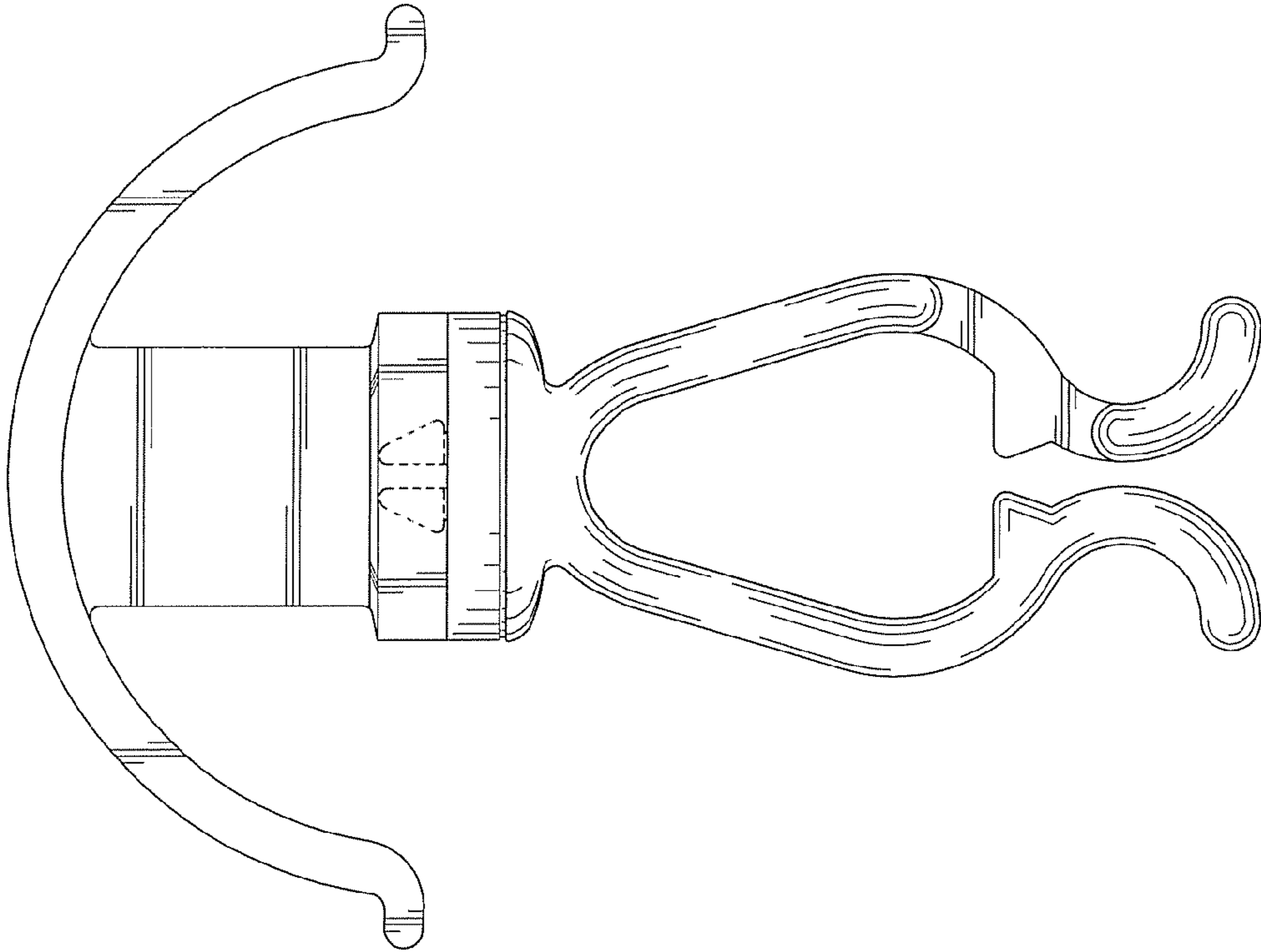
**FIG. 3**



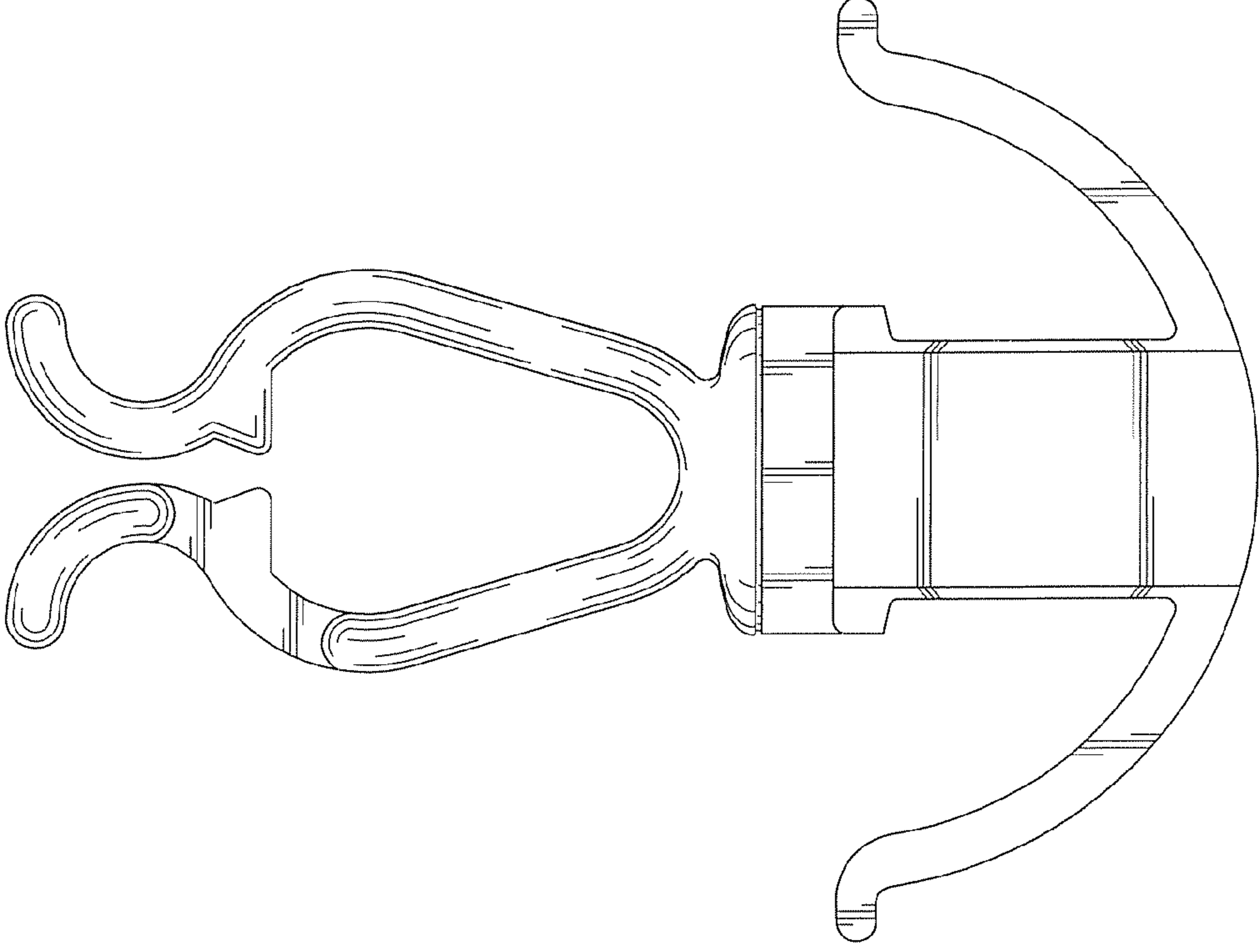
**FIG. 4**



**FIG. 5**



**FIG. 7**



**FIG. 6**