



US00D562675S

(12) **United States Design Patent**
Cox et al.

(10) **Patent No.:** **US D562,675 S**

(45) **Date of Patent:** **** Feb. 26, 2008**

(54) **CLIP**

(75) Inventors: **Johnny Cox**, Rowlett, TX (US); **Trevor Jackson**, Kirtland, OH (US); **Harry Klaus**, Mars, PA (US)

(73) Assignee: **Emerald Innovations, LLC**, Butler, PA (US)

(**) Term: **14 Years**

(21) Appl. No.: **29/281,094**

(22) Filed: **Jun. 14, 2007**

(51) **LOC (8) Cl.** **08-08**

(52) **U.S. Cl.** **D8/395**

(58) **Field of Classification Search** D8/356,
D8/371, 394-396; D19/65; 248/22, 67 R,
248/20 S, 115 R, 546, 563, 910, 343, 67.9
See application file for complete search history.

(56) **References Cited**

U.S. PATENT DOCUMENTS

2,599,303 A * 6/1952 Ward 248/229.26
D356,246 S * 3/1995 Adams D8/395
D376,535 S * 12/1996 Gary et al. D8/395

5,607,230 A * 3/1997 Protz, Jr. 362/396
D494,849 S * 8/2004 Jones et al. D8/395
D538,636 S * 3/2007 Jackson et al. D8/395

* cited by examiner

Primary Examiner—Stella M. Reid
Assistant Examiner—John Windmuller

(57) **CLAIM**

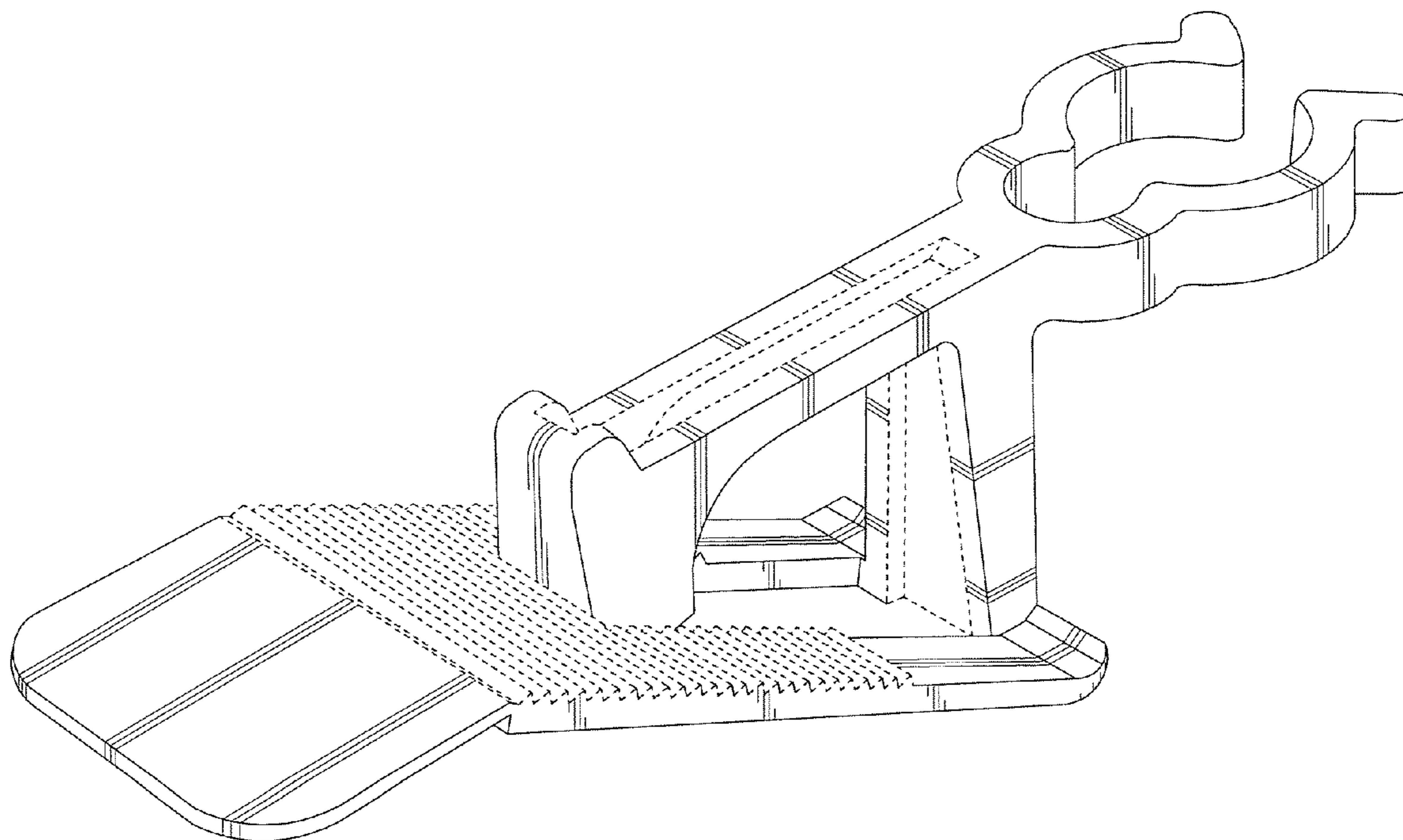
The ornamental design for a clip, as shown and described.

DESCRIPTION

FIG. 1 is a perspective view of a clip of the new design;
FIG. 2 is a rear elevational view of the clip of FIG. 1;
FIG. 3 is a front elevational view of the clip of FIG. 1;
FIG. 4 is a right side elevational view of the clip of FIG. 1;
FIG. 5 is a left side elevational view of the clip of FIG. 1;
FIG. 6 is a top plan view of the clip of FIG. 1; and,
FIG. 7 is a bottom plan view of the clip of FIG. 1.

The portions of the Figures shown in broken lines are not part of the claimed design and are for illustration only.

1 Claim, 4 Drawing Sheets



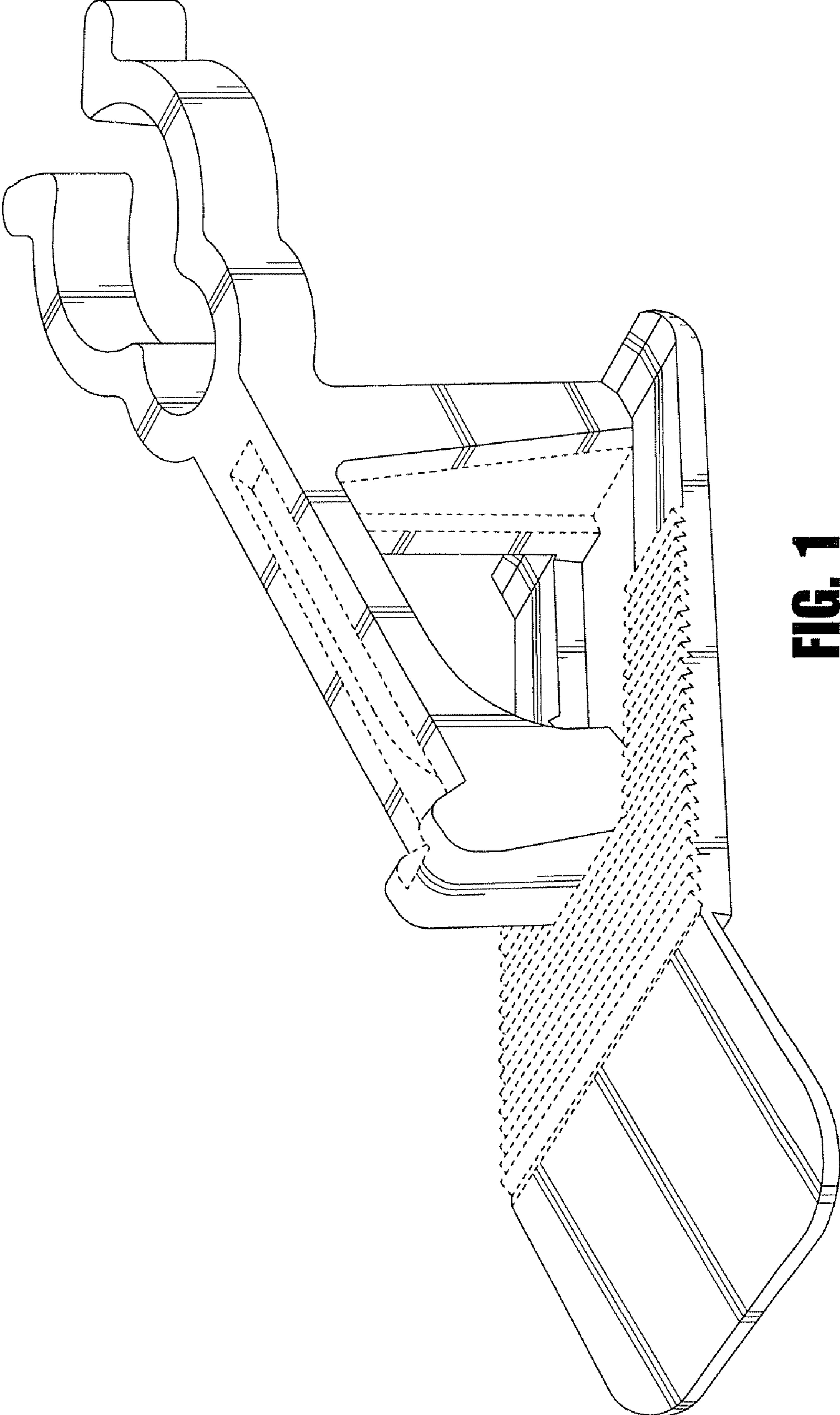


FIG. 1

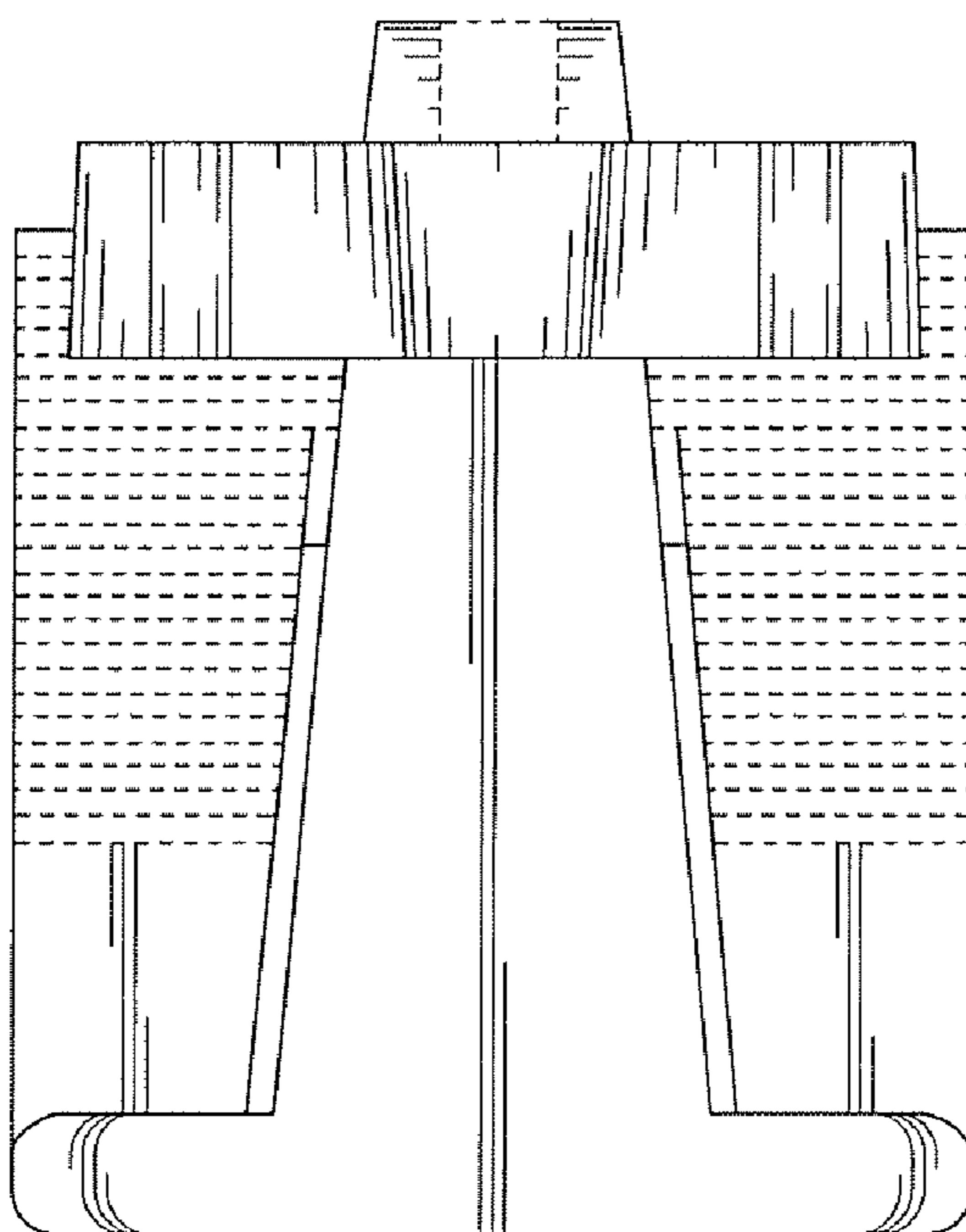


FIG. 2

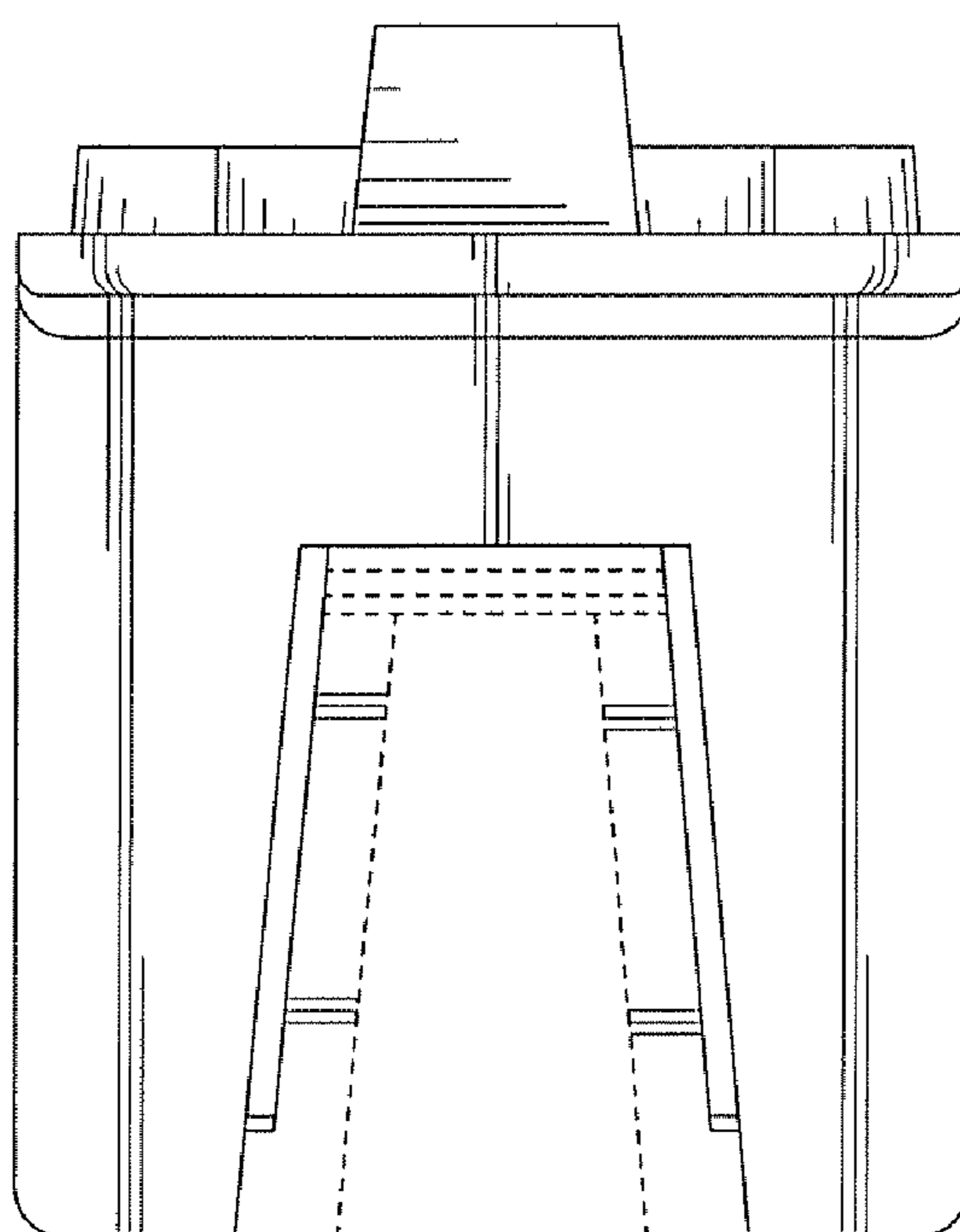


FIG. 3

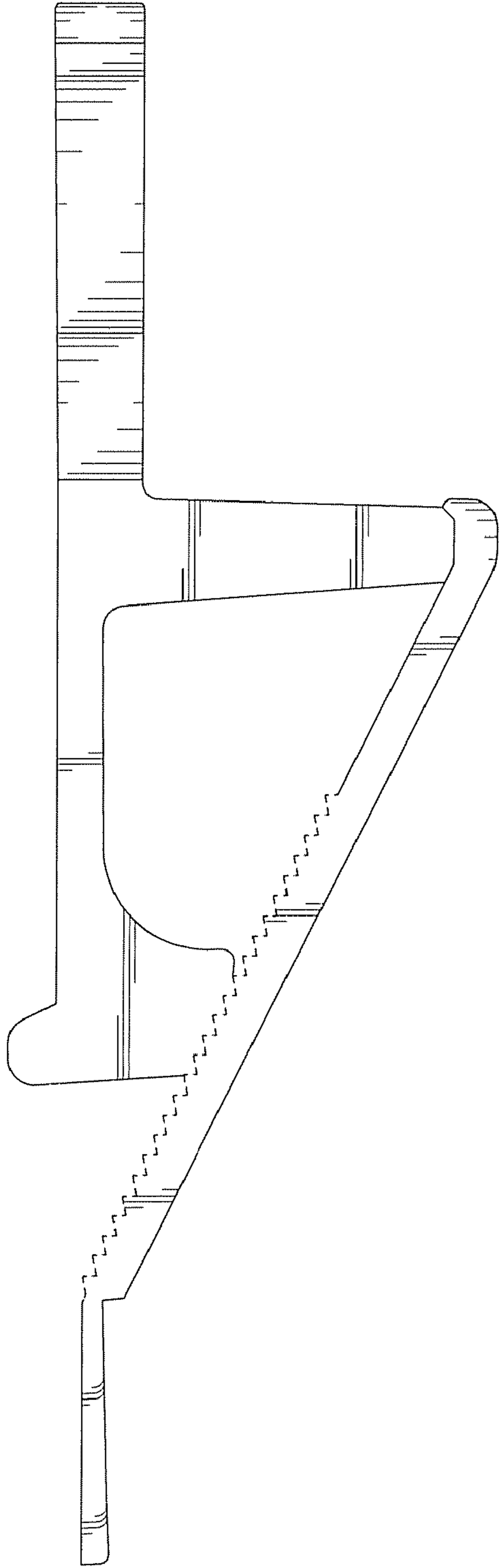


FIG. 4

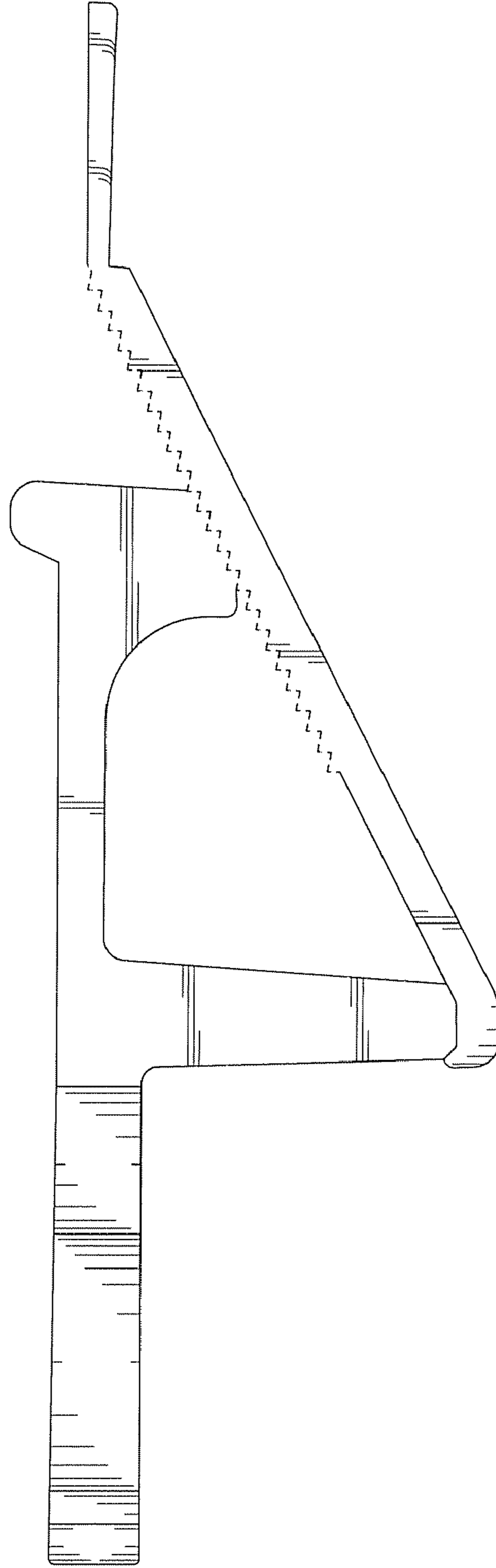


FIG. 5

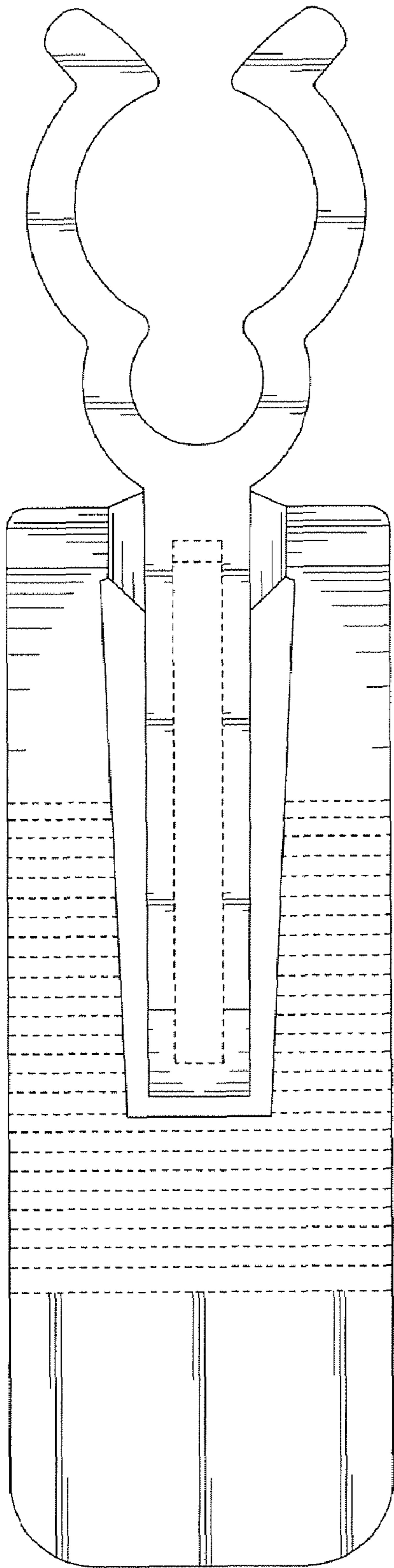


FIG. 6

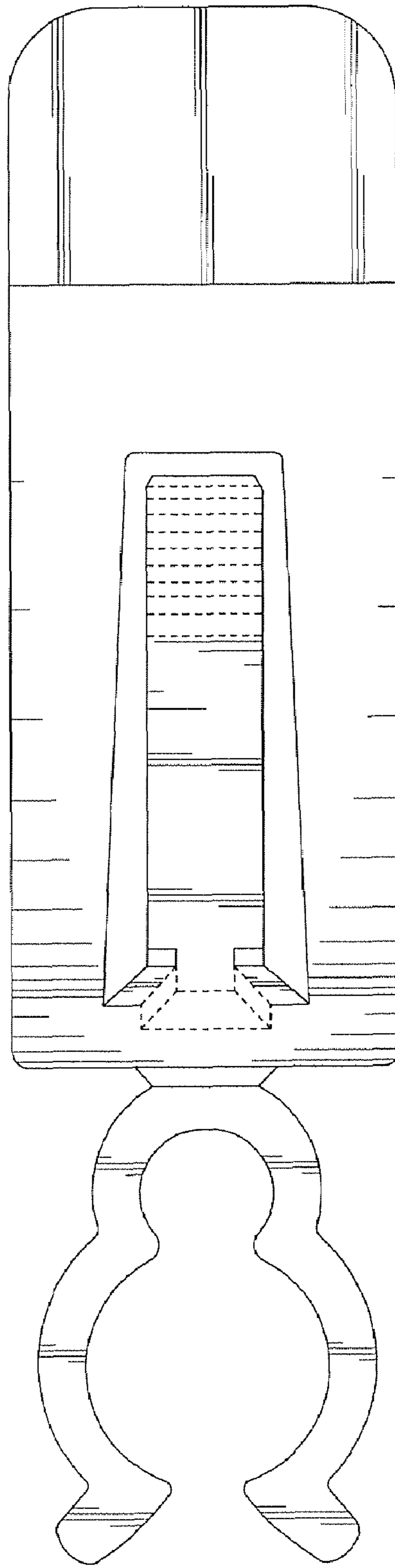


FIG. 7