

US00D562671S

(12) **United States Design Patent**
Dethier

(10) **Patent No.:** **US D562,671 S**

(45) **Date of Patent:** **** Feb. 26, 2008**

(54) **REEL**

D294,487 S * 3/1988 Bannigan D8/359

(76) **Inventor:** **Livin Fernand Georges Dethier,**
Leemkuilstraat 144 -3570, Alken (BE)

* cited by examiner

(**) **Term:** **14 Years**

Primary Examiner—Gary D. Watson
Assistant Examiner—Susan Bennett Hattan
(74) *Attorney, Agent, or Firm*—Bacon & Thomas, PLLC

(21) **Appl. No.:** **29/272,162**

(22) **Filed:** **Feb. 2, 2007**

(57) **CLAIM**

The ornamental design for a reel, as shown and described.

(30) **Foreign Application Priority Data**

Aug. 4, 2006 (BX) 82061-02

DESCRIPTION

(51) **LOC (8) Cl.** **08-05**

(52) **U.S. Cl.** **D8/359**

(58) **Field of Classification Search** D8/359,
D8/358, 356; D7/540; D34/25, 24, 14-19;
D21/800; 242/405, 398, 395, 390.1, 389-390;
239/198, 197; 137/355.26-28, 355.2, 355.19;
D10/72

See application file for complete search history.

FIG. 1 is a front elevation view of my design for a reel;
FIG. 2 is a left side view thereof;
FIG. 3 is an upper right perspective view thereof;
FIG. 4 is a top plan view thereof;
FIG. 5 is a rear elevation view thereof;
FIG. 6 is a right side view thereof; and,
FIG. 7 is a bottom view thereof.

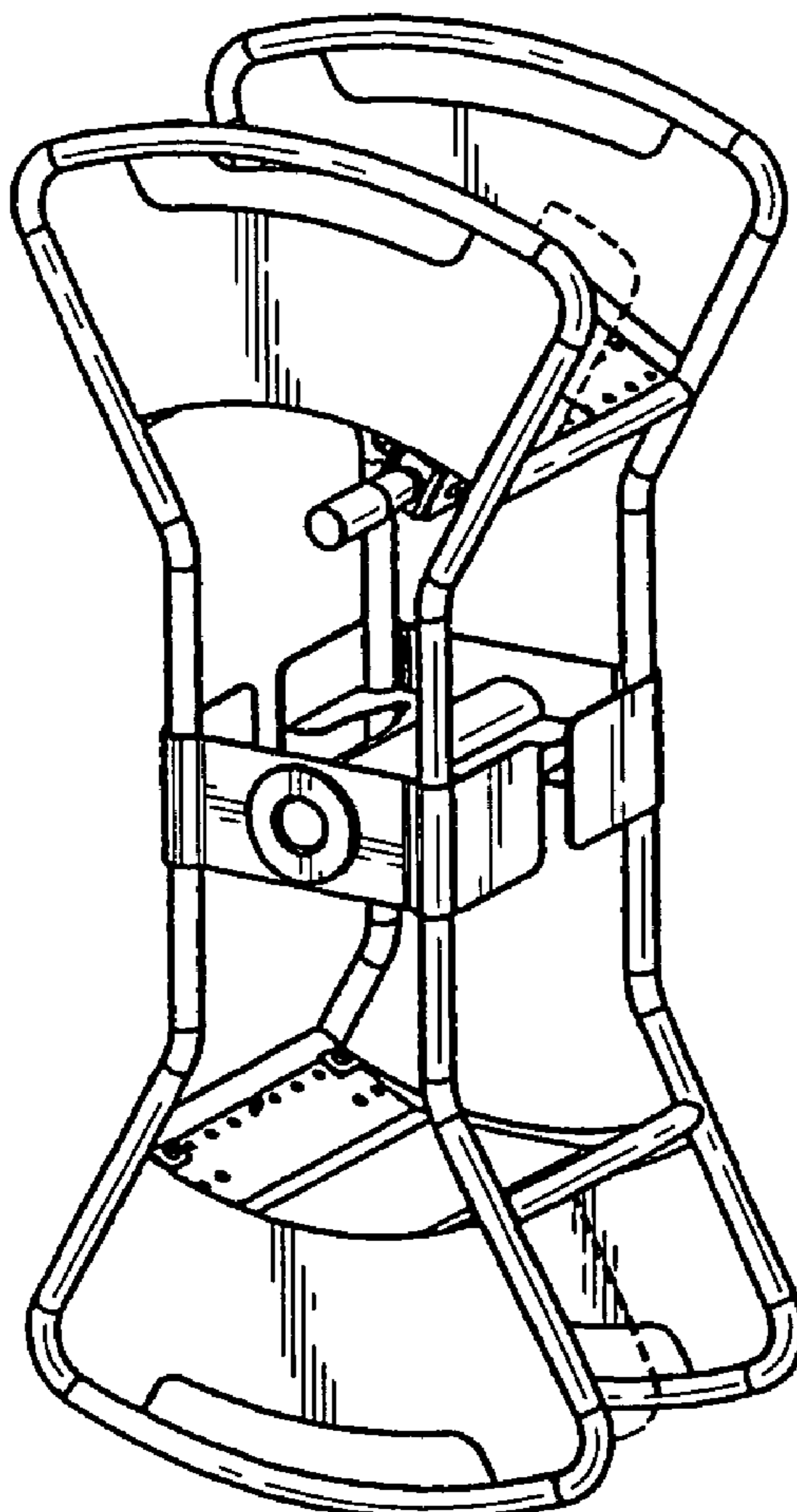
(56) **References Cited**

U.S. PATENT DOCUMENTS

D200,791 S * 4/1965 Smith D8/358

The broken lines in the drawings depict environmental subject matter only and form no part of the claimed design.

1 Claim, 2 Drawing Sheets



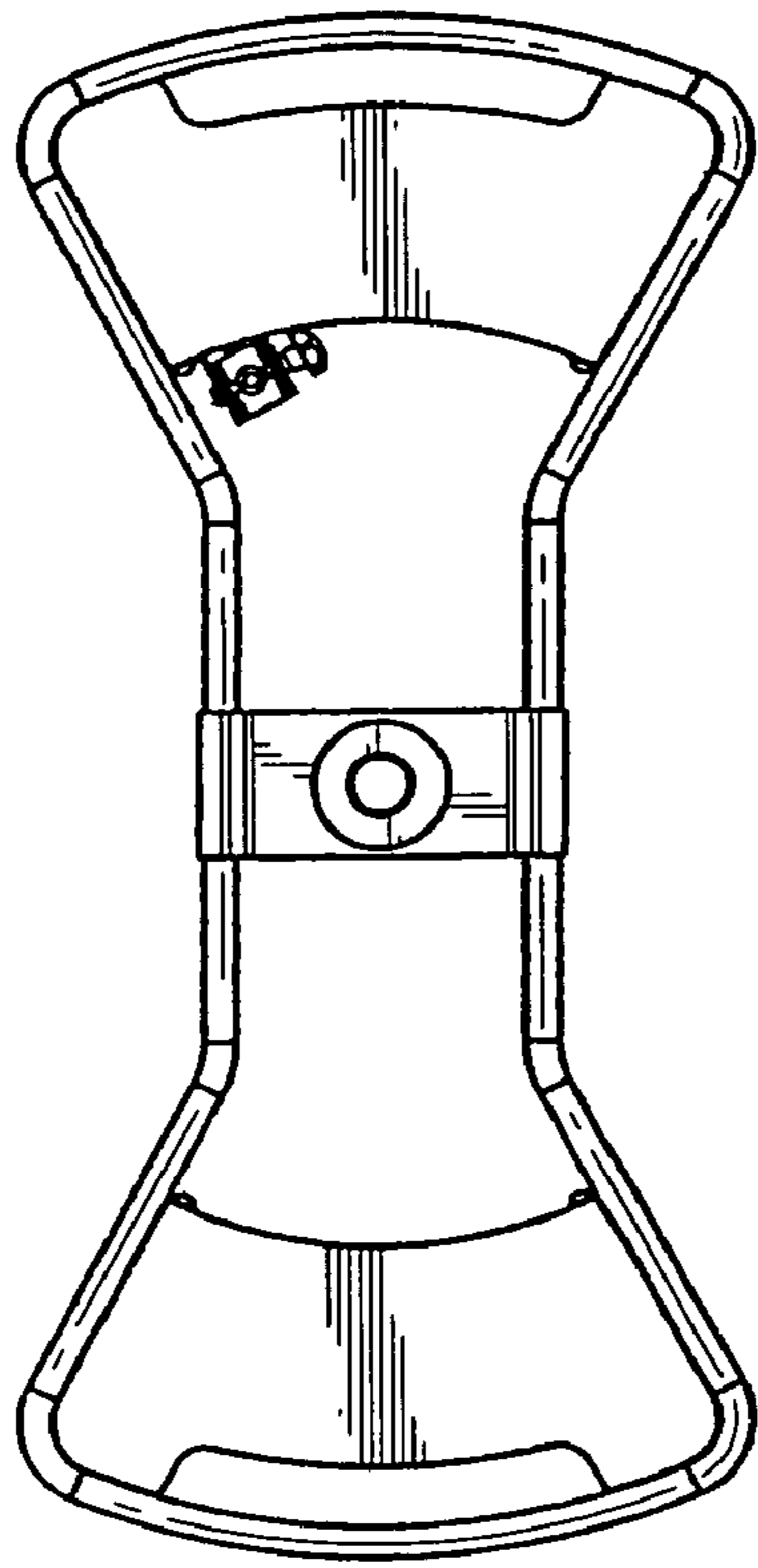


FIG. 1

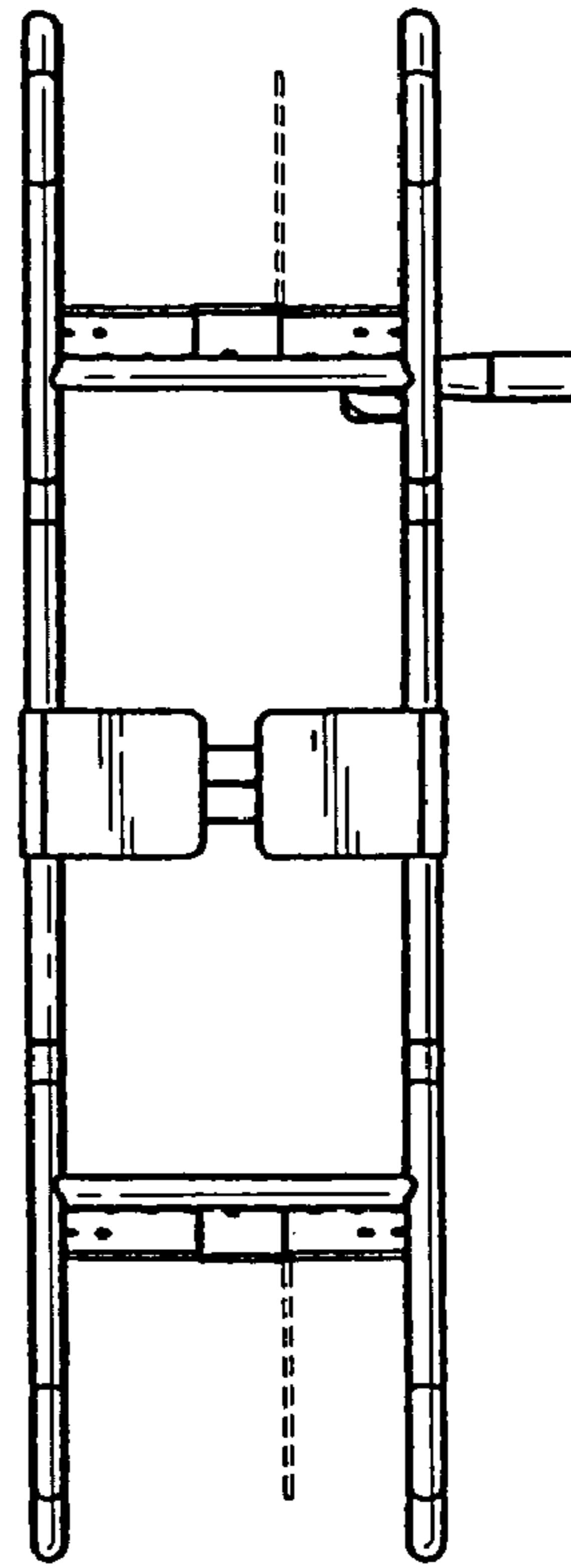


FIG. 2

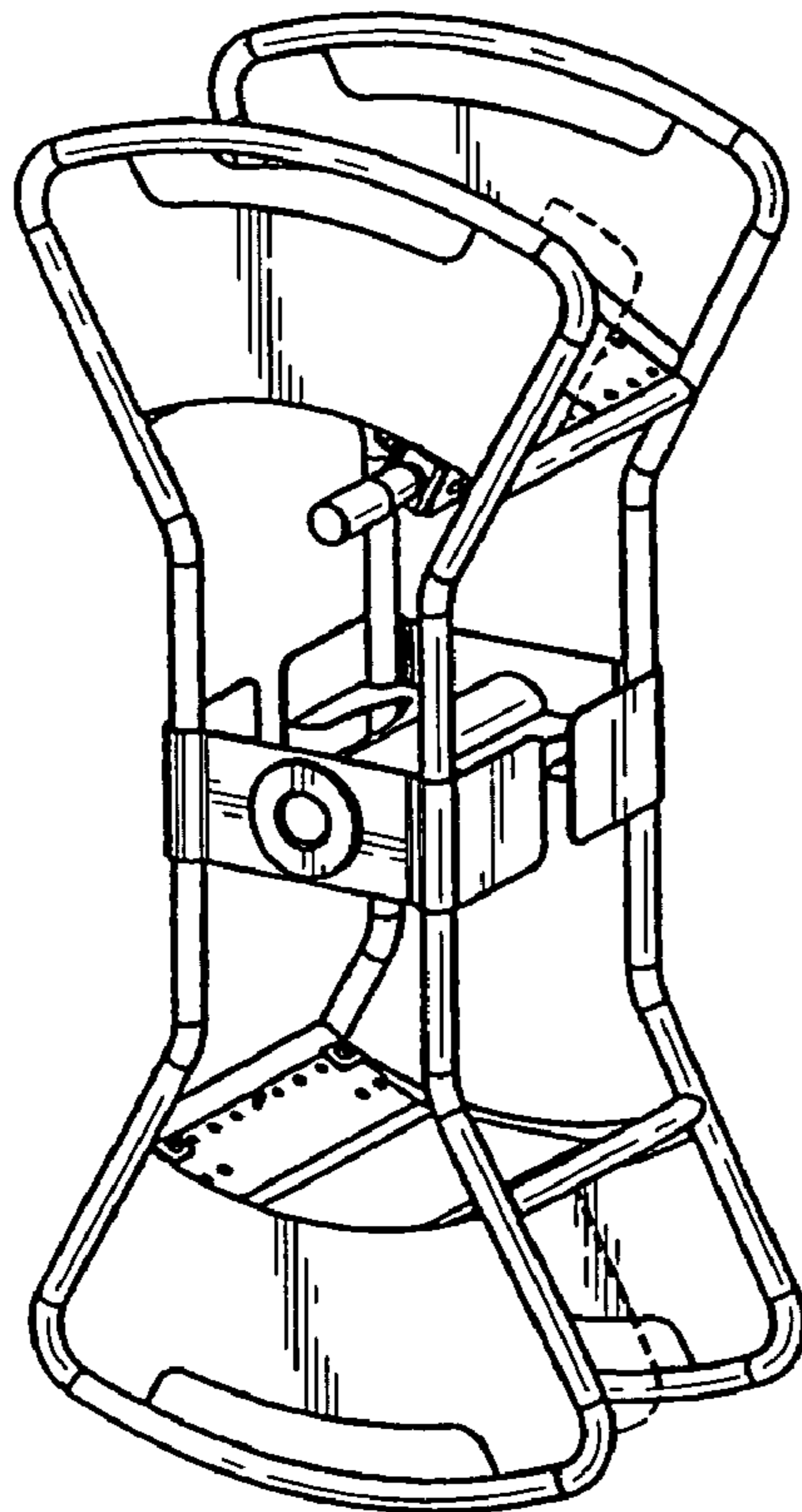


FIG. 3

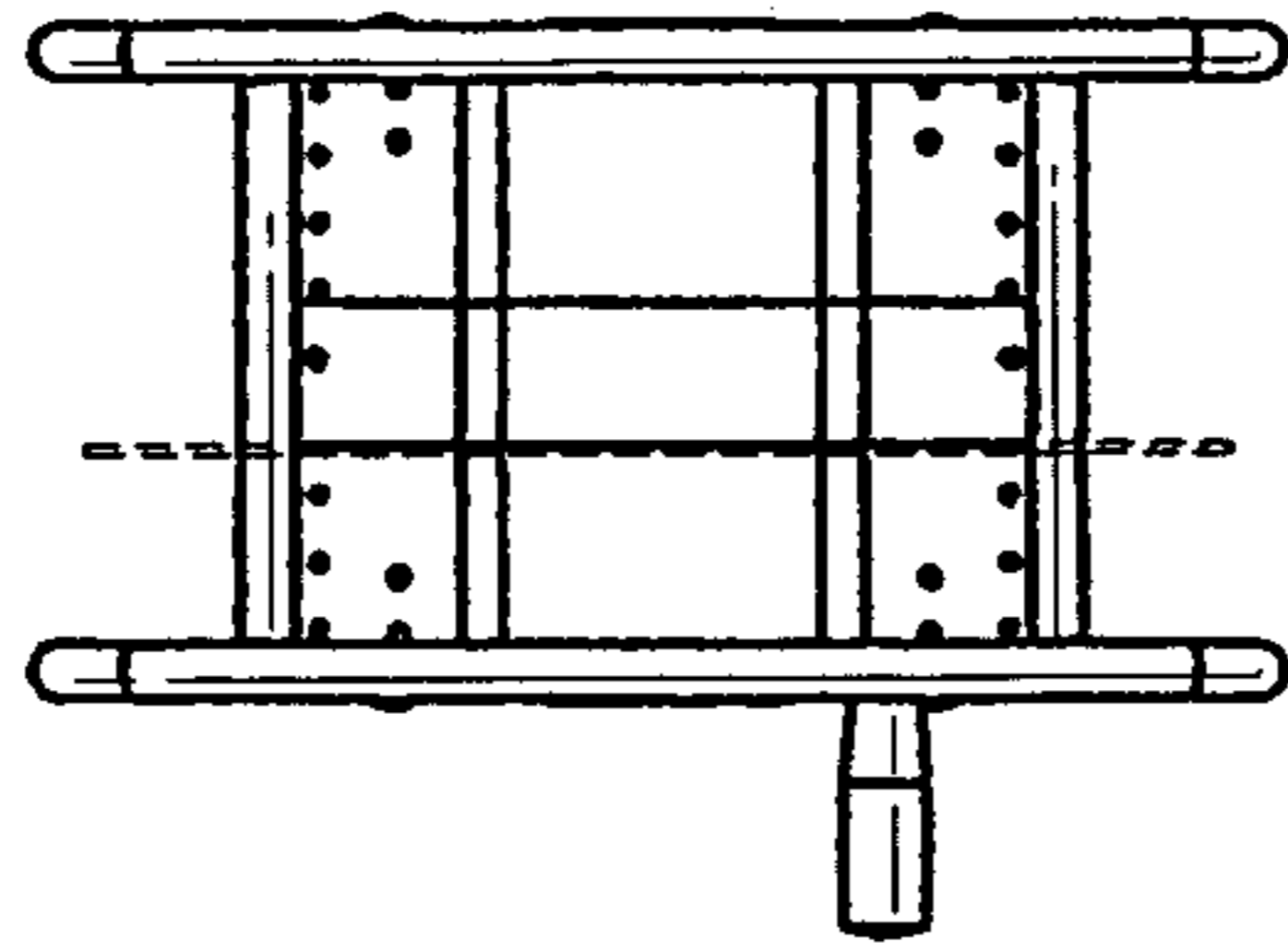


FIG. 4

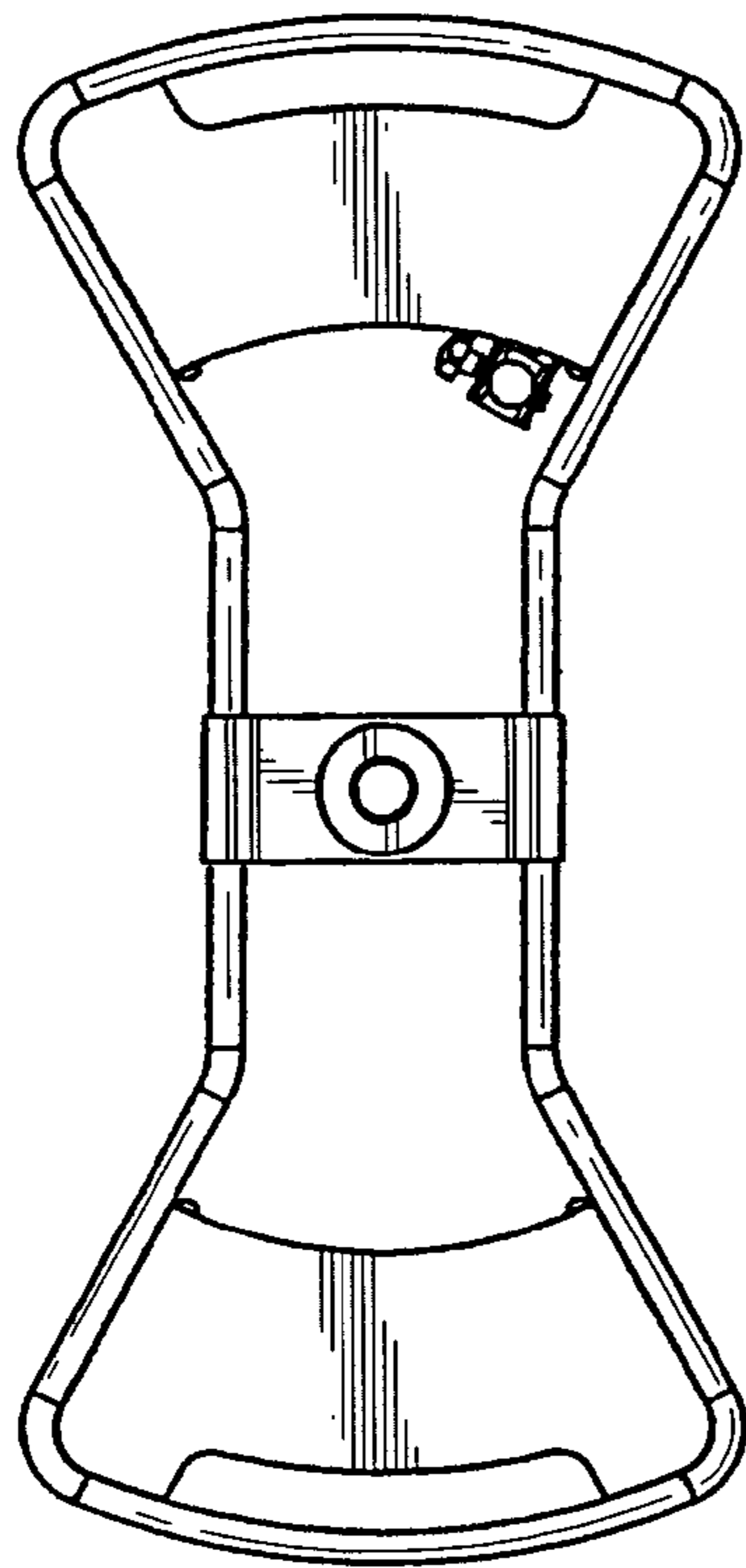


FIG. 5

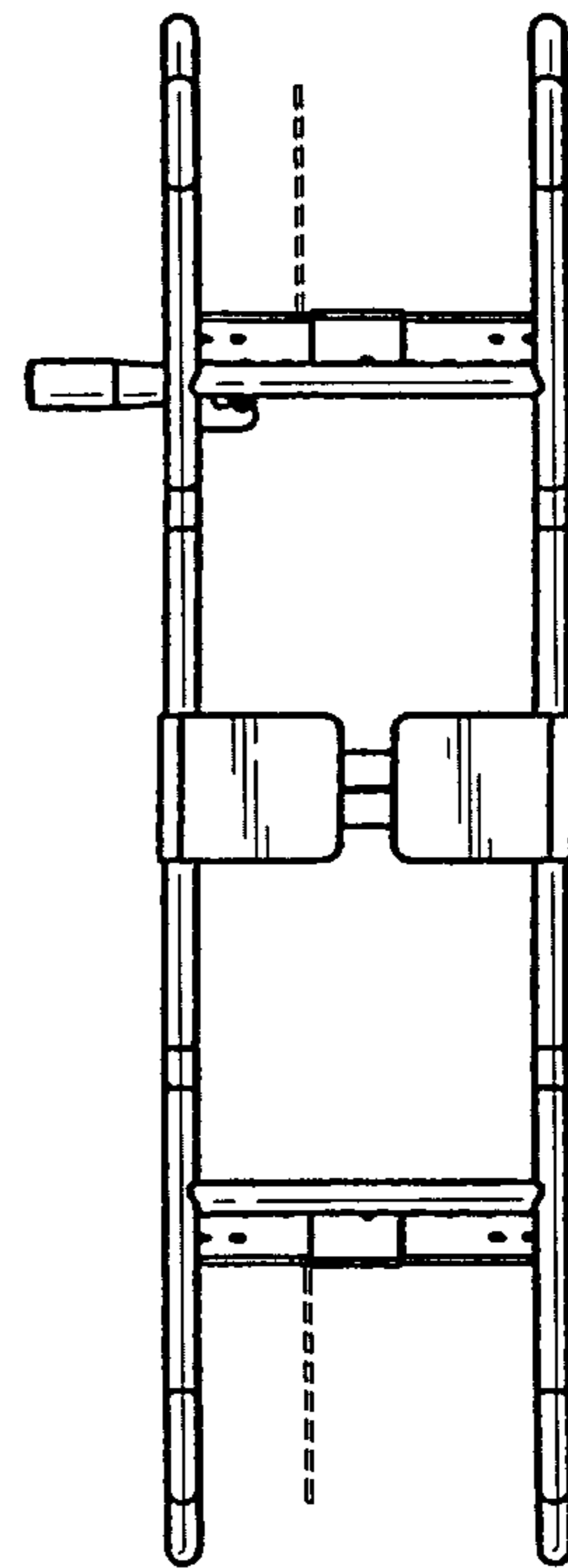


FIG. 6

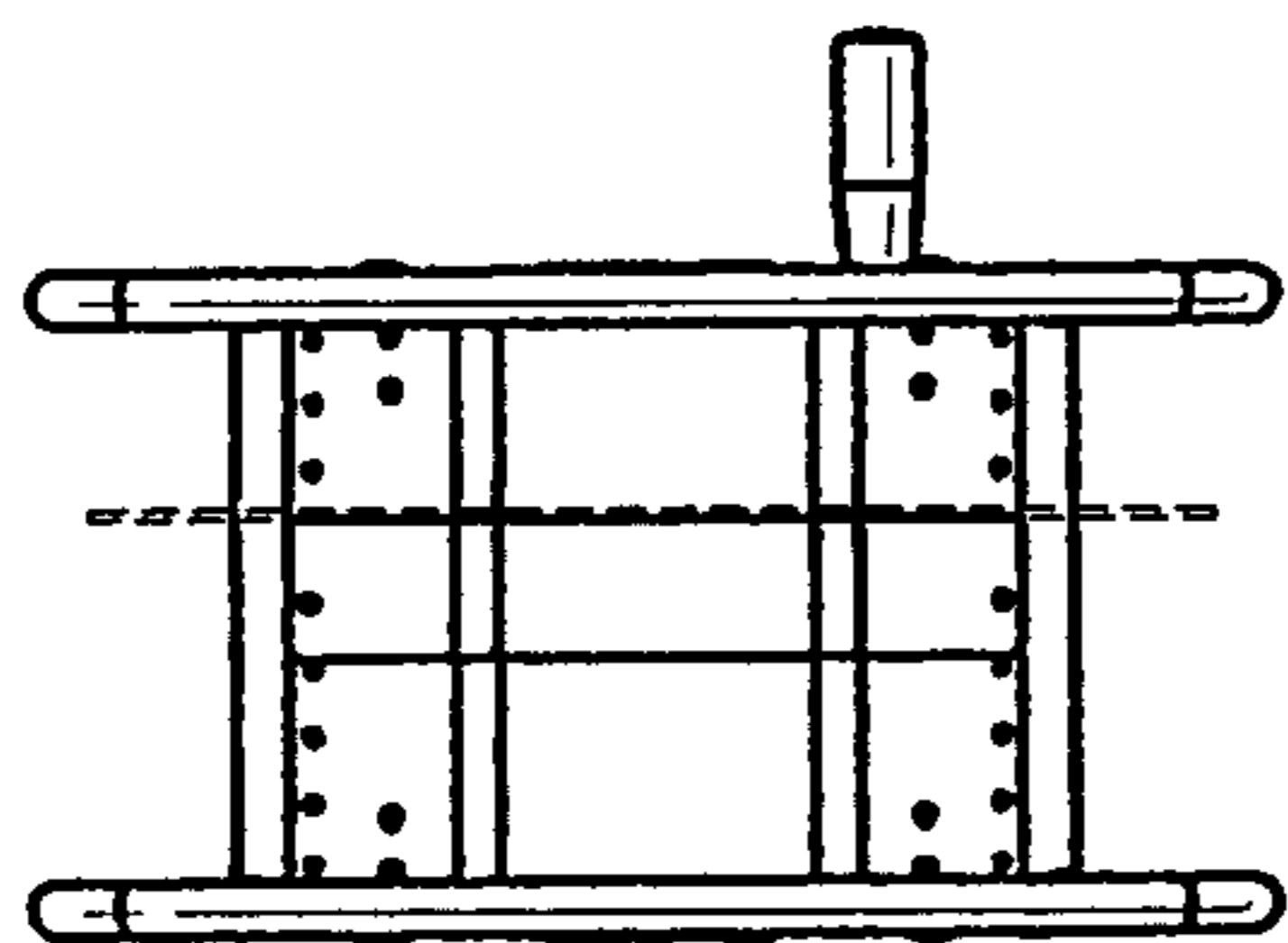


FIG. 7